

**Fairey Gannet ASW & ECM Variants  
Cockpit Assemblies**

This Detail set is manufactured from photo - etched brass sheet and is for the Revell / Frog Novo model kit.  
Etched brass should be thoroughly cleaned by gently wiping with a solvent such as White Spirit and primed for painting.  
To separate parts, support fret on a firm surface, (i.e., a small sheet of glass or a plain ceramic tile) and cut as near to the part as possible using a sharp blade.  
To fold part use Airwaves Folding Tool AM022 for a good and even fold.  
For fixing parts, use Cyanoacrylate Adhesive (Superglue) or Epoxy resin.

Manufactured for and by:-  
E.D. Models, 64 Stratford Road, Shirley,  
Solihull, B90 3LP, England.  
Telephone (44)- 0121-744-7488 Fax (44)- 0121-733-2591

To obtain better visibility of the completed cockpit interiors it is recommended that you fit Clear Vax canopies from the Falcon Fleet Air Arm set No 19. This set is also available from E.D. Models.

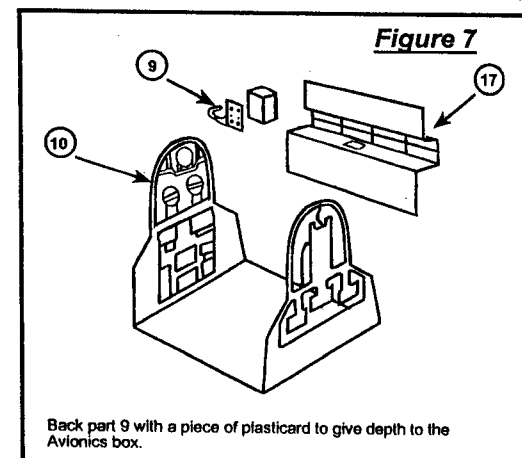
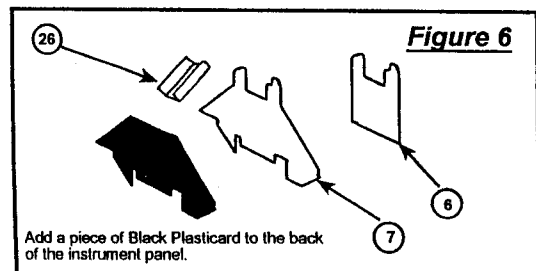
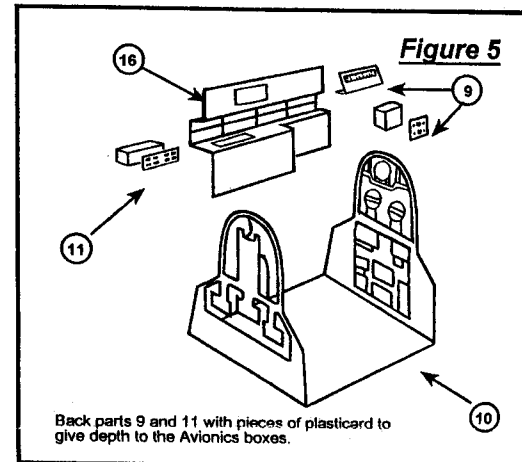
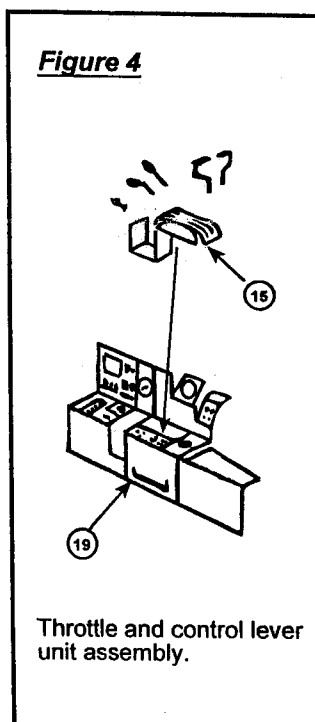
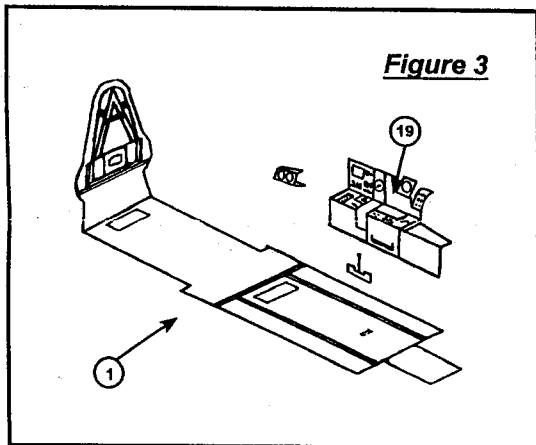
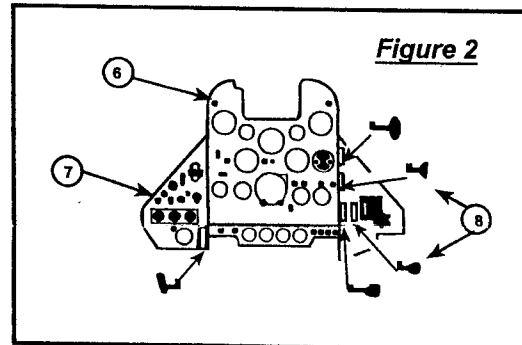
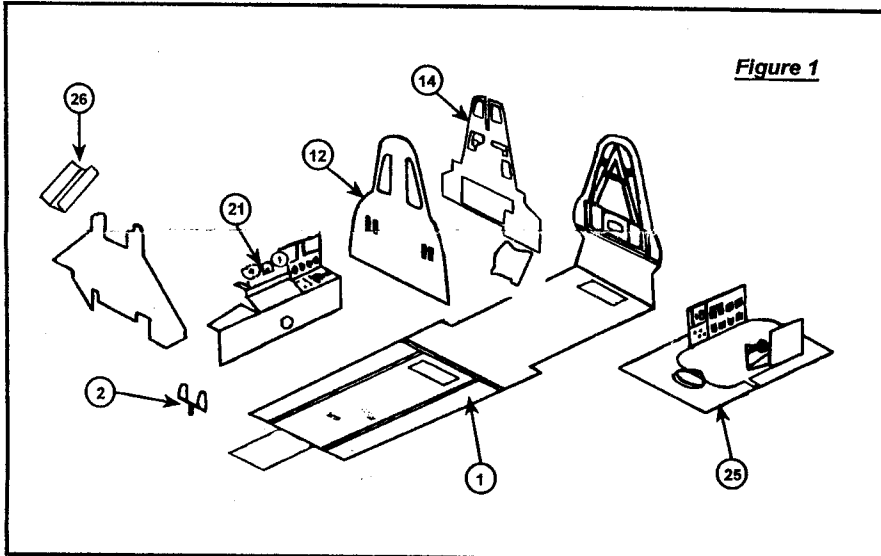
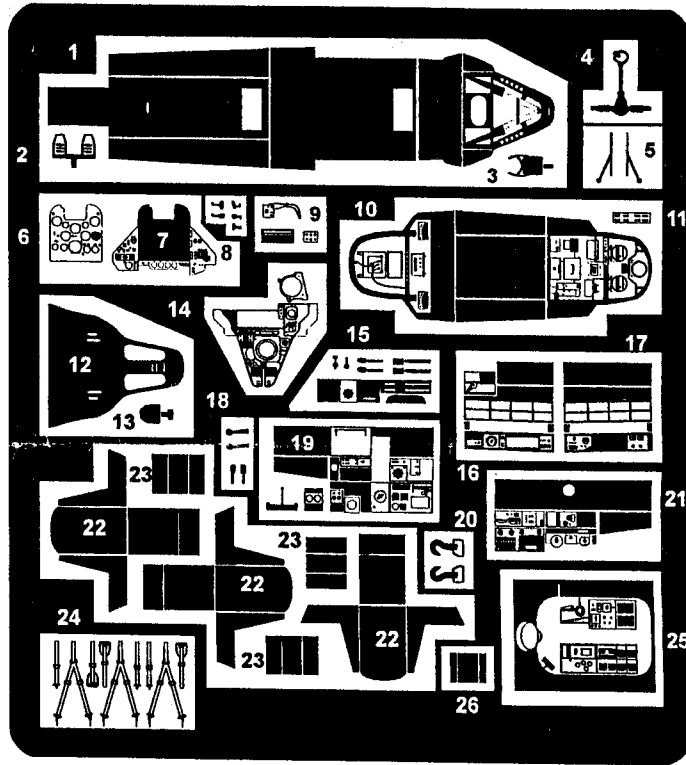
For further helpful hints to using etched brass and for full details of the extensive Airwaves range, get a copy of the latest Airwaves catalogue.

**General Notes**

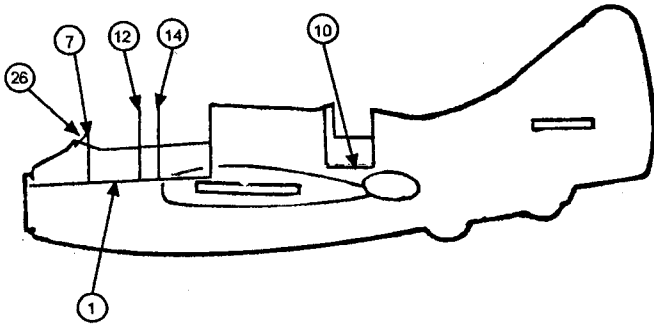
The interior colour of the ASW and ECM Gannets was Matt Night Black throughout, with Matt Medium Sea Grey instrument panel facia.

The instrument bezels were mainly black with white digits.

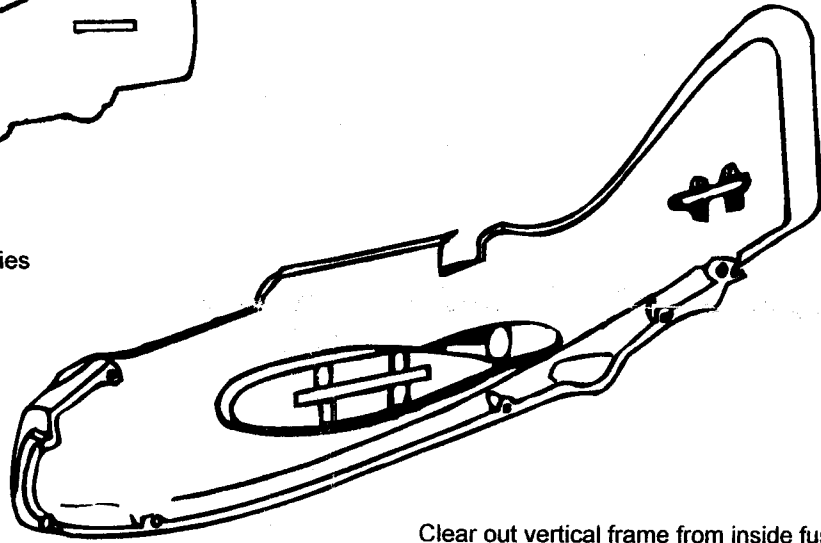
The seat harnesses were a tan colour in the early days but changed to dark blue/black later on when synthetic materials became more available.



**Figure 8**

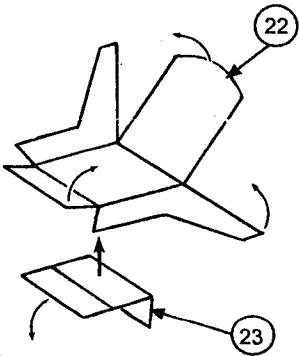


General positioning of cockpit assemblies inside the fuselage.



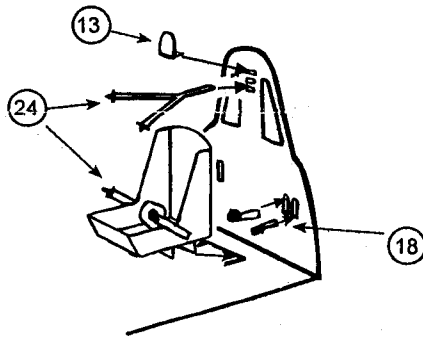
Clear out vertical frame from inside fuselage halves as well as removing the crew figure heads and the surrounding in fill.

**Figure 9**



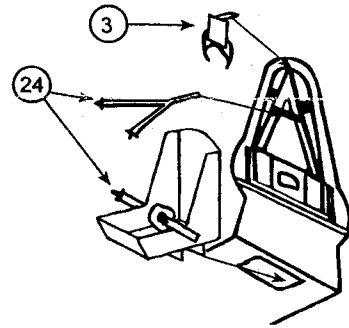
x3

**Figure 10**



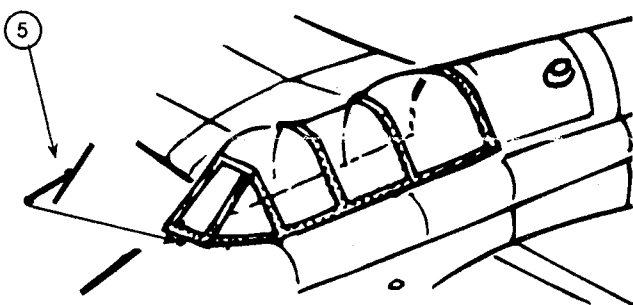
Pilots seat assembly.

**Figure 11**



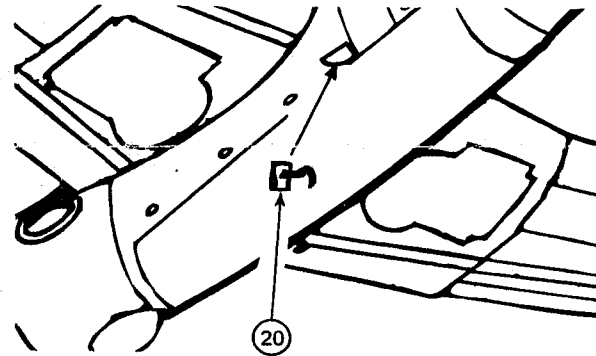
Navigator's seat assembly.

**Figure 12**



Paint windscreen wiper Matt Black before fixing into position.

**Figure 13**



Fit catapult attachment hooks to each side of the fuselage.