

1:72 SCALE

ITEM NO.: 07216

Challenger II MBT(KFOR)

挑战者 II 型主战坦克(科索沃维和)



READ BEFORE ASSEMBLY:

- This kit is not recommended for inexperienced modelers or for children under 14 years of age
- Study and understand these instructions thoroughly before beginning assembly
- When needed, remove photo-etch parts carefully using a modeling knife or photo etch sprue cutter, being careful not to damage or lose small parts.
- Take extra care in handling photo etch parts in order to avoid injury
- Apply instant cement sparingly to photo etch parts where instructed
- Tools recommended(not included in kit):Plastic and instant cements,sprue cutters,long nose pliers, modeling knife, small files, tweezers, pin vise & scissors. Soft cloth and sandpaper will also assist in construction
- Glue and paint are not included in the kit. Use plastic cement and hobby paints only. Color guide for purchasing paint is included in the kit.
- Keep out of reach of small children. They must not be allowed to ingest small parts or handle plastic bags in any way.

装配之前仔细阅读

- 小心用模型锉刀锉平所有零件表面的注射浇口。
- 小心用刀片切下蚀刻片零件，不要遗失小零件。
- 用强力快干胶水粘合蚀刻片零件和金属轴。过量的快干胶水使用可能导致可动零件会粘住，小心涂胶。
- 取蚀刻片时应特别注意安全，防止利边划伤手指。
- 某些零件表面需贴水上贴纸，请选择在装配的同时进行。
- 推荐模型工具(自备)：胶水、水口剪刀、长咀钳、刀片、锉刀、镊子、钳、钻、剪刀，瞬间快干胶。
- 软布同砂纸同时也应该是必备工具。
- 请使用塑料胶水和油漆，模型内不含。
- 谨防小孩吸吮塑料零件，或者将塑料袋套在头上，制作时应将套材远离小孩接触。
- 本产品不适合14岁以下没有经验的模型爱好者。



cyanoacrylate glue
使用强力胶



weight
配重



make hole
钻孔



cut / remove
切除



bend
弯曲



file / sand
锉平



option
选择



no cement
不涂胶水



decal
贴纸

水贴纸的使用:

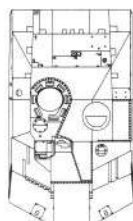
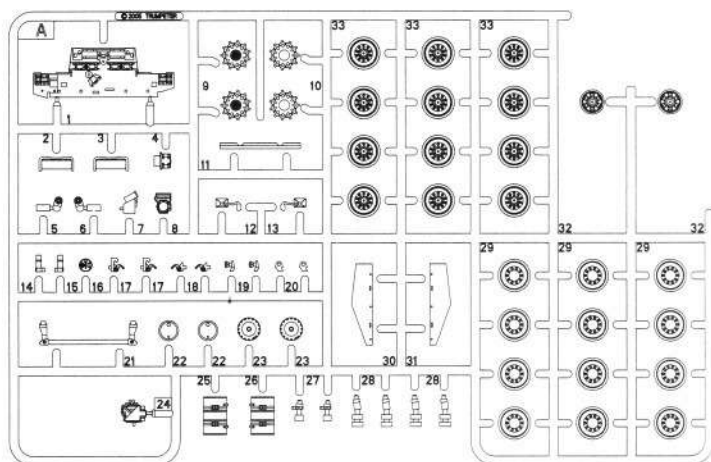
1. 从水贴纸上剪下印花;
2. 将印花放入温水中浸10秒, 然后放在干净布上。
3. 拿着印花纸板将印花移到模型上;
4. 手指蘸水将印花移到适当的位置;
5. 用软布轻压印花直至水干, 汽泡消失。

DECAL APPLICATION

1. Cut off decal from sheet.
2. Dip the decal in tepid water 40°C for about 10 sec. and place on a clean cloth.
3. Hold the backing sheet edge and slide decal onto the model.
4. Move decal into position by wetting decal with finger.
5. Press decal gently down with a soft cloth until excess water and air bubbles are gone.
6. Allow decal to dry completely before handling model.

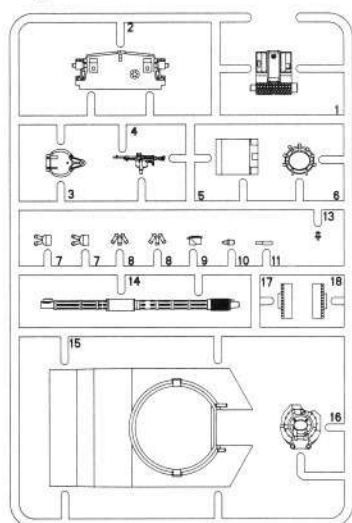
部品图 Parts

A

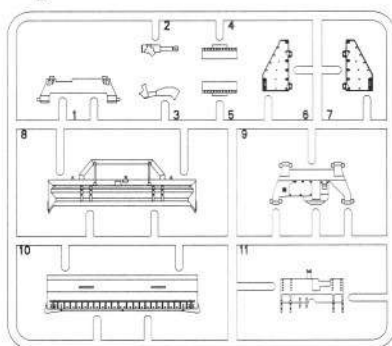


《炮塔》
Turret

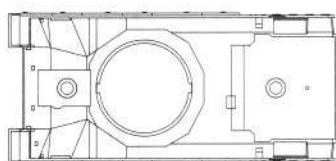
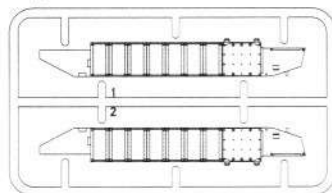
B



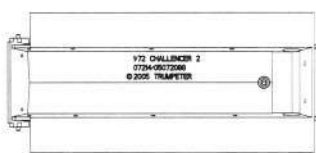
D



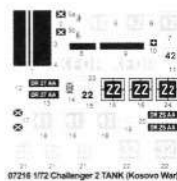
E



《车面》
Upper hull

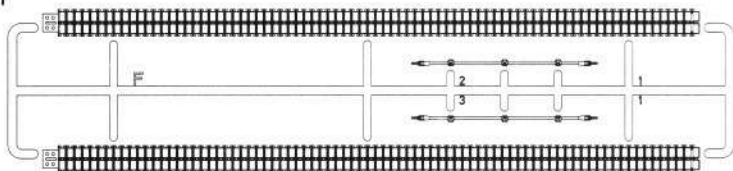


《车底》
Lower hull

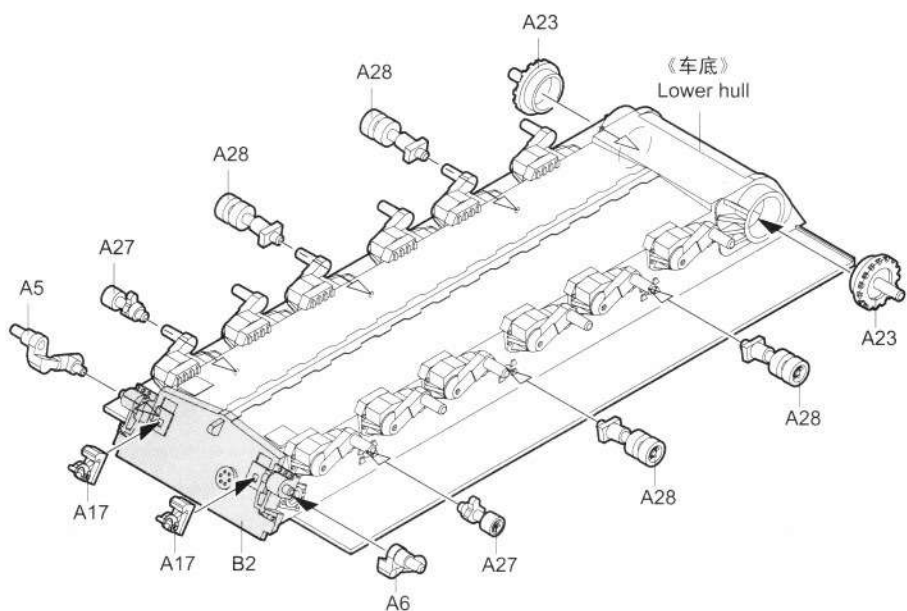


贴纸
Decal

F



1

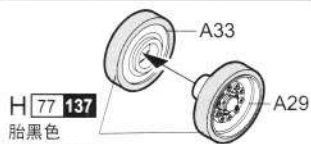


2



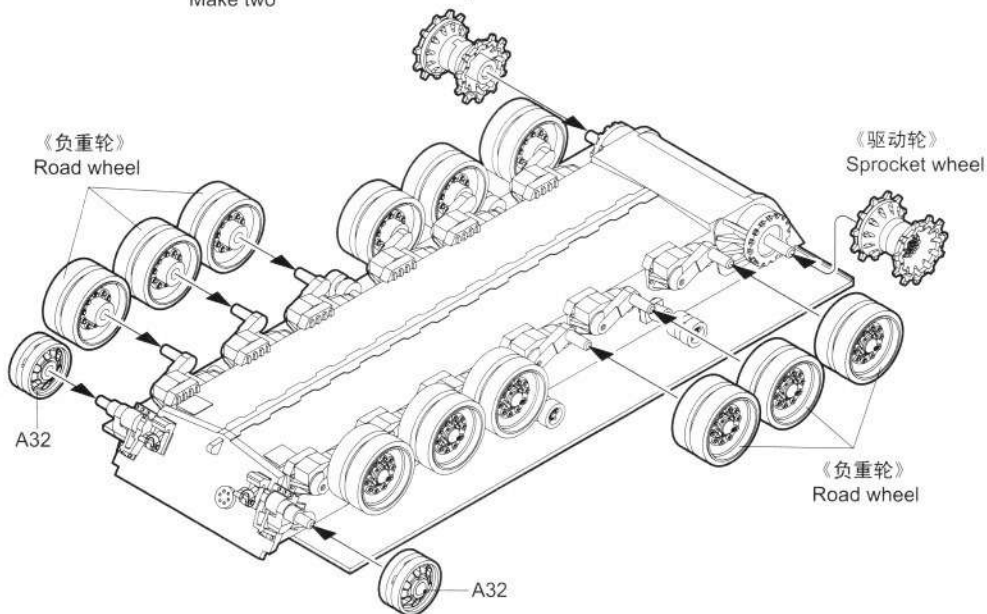
《驱动轮》
Sprocket wheel
制作2组
Make two

《驱动轮》
Sprocket wheel



H 77 137
胎黑色
Tire Black

《负重轮》
Road wheel
制作12组
Make twelve



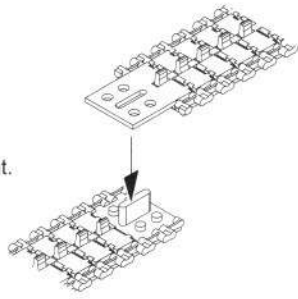
《负重轮》
Road wheel

《驱动轮》
Sprocket wheel

《负重轮》
Road wheel

3

- * 履带可用塑料胶水粘合。
- * 履带可用模型油漆喷涂。
- * 若履带断裂，用细丝线固定。
- * The tracks in this kit can be glued using plastic cement.
- * The tracks can be painted using plastic paints.
- * If track is broken strengthen with staples or thread.



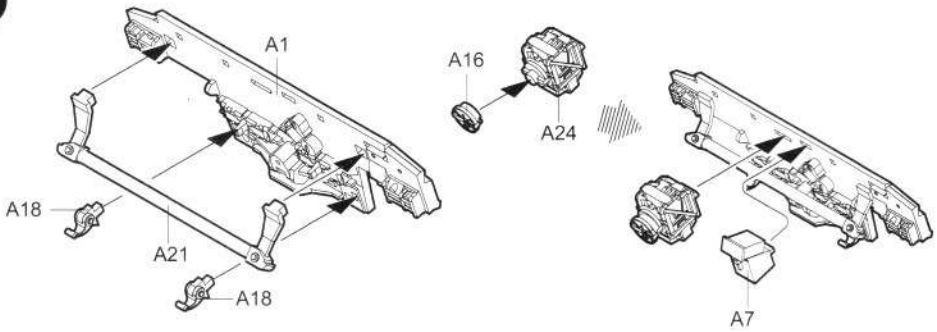
4

《天线制作》 How to make antenna

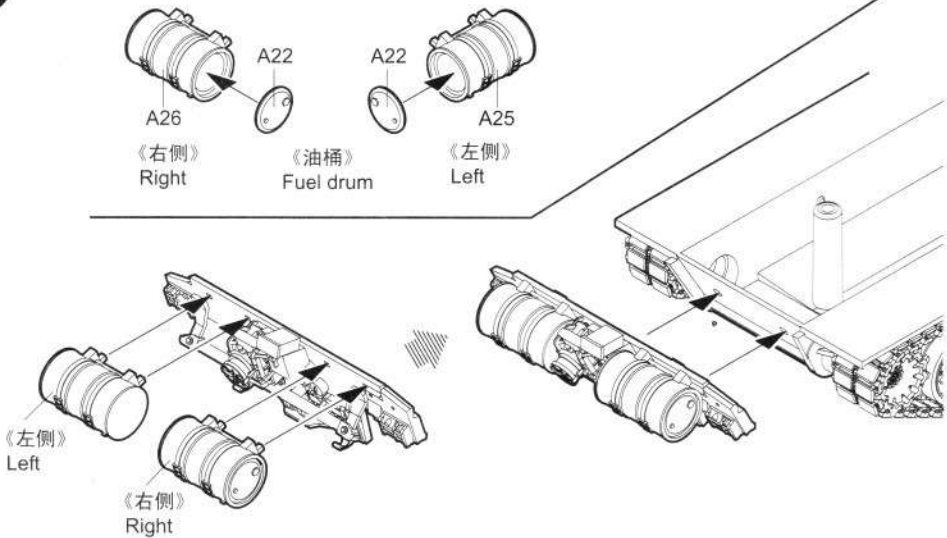
- ★ 加热浇口，拉线冷却，冷却后剪成所需长度。
Heat sprue as shown, remove from flame and stretch allow to cool and cut to required length.



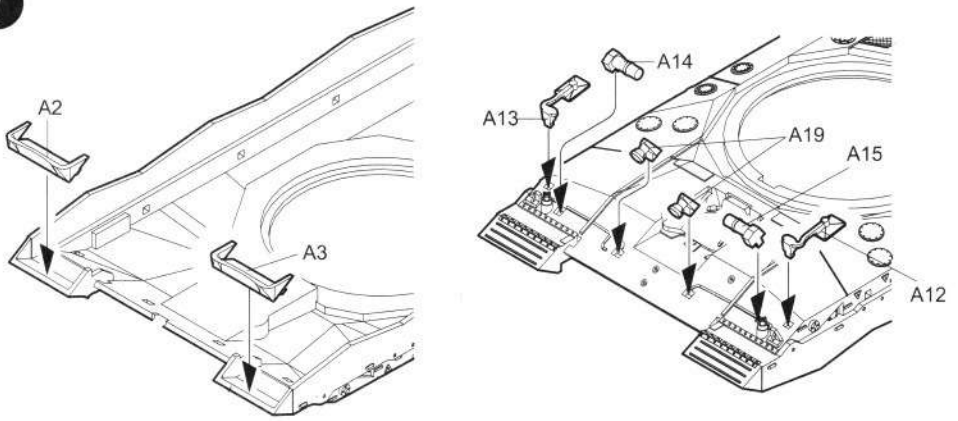
5



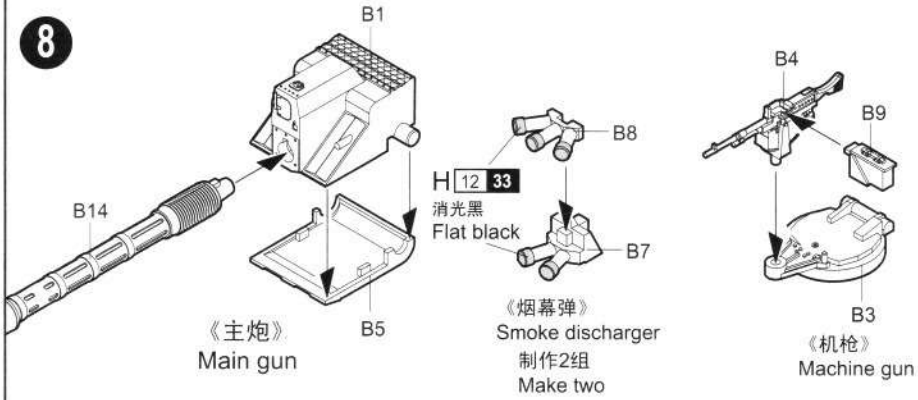
6



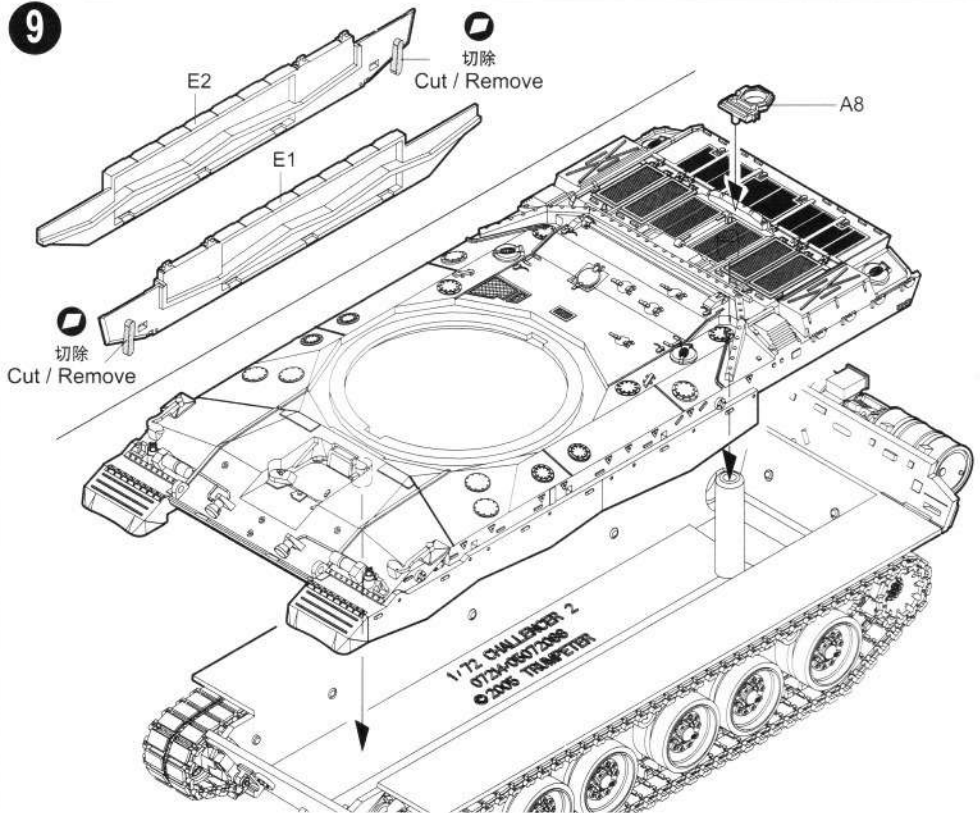
7



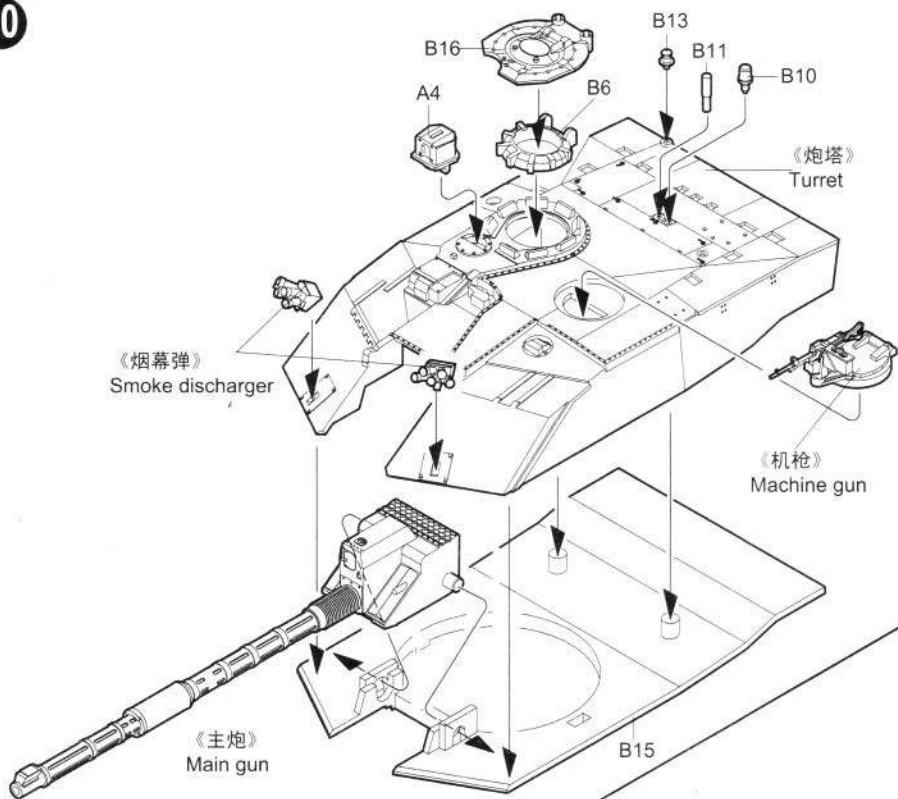
8



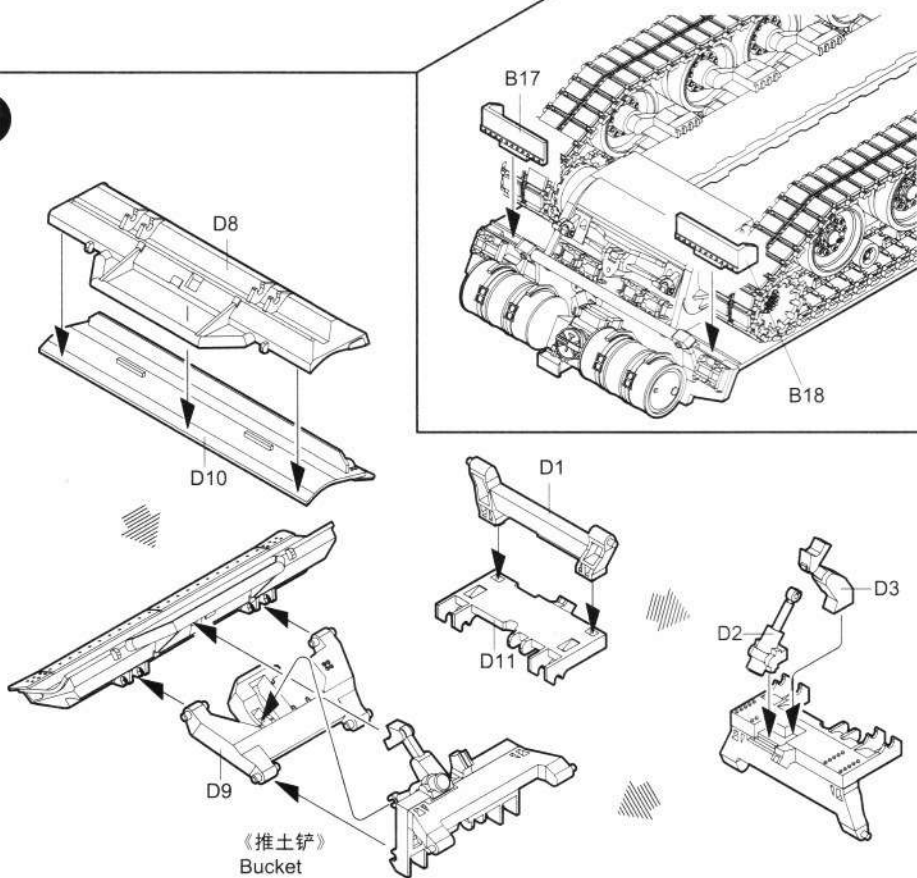
9



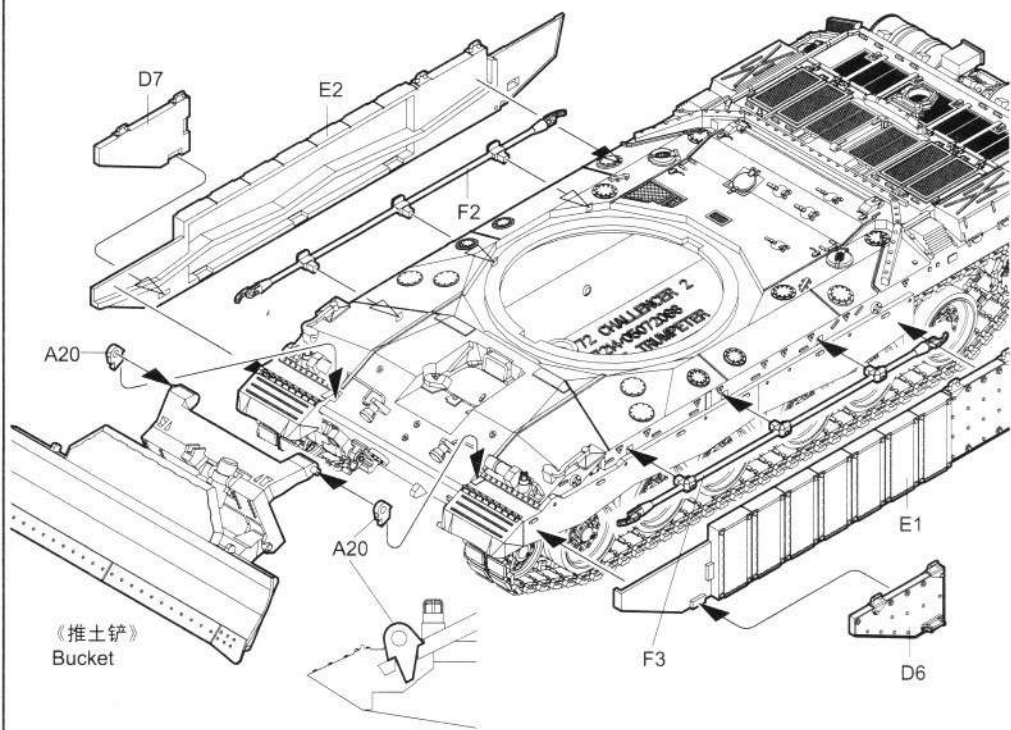
10



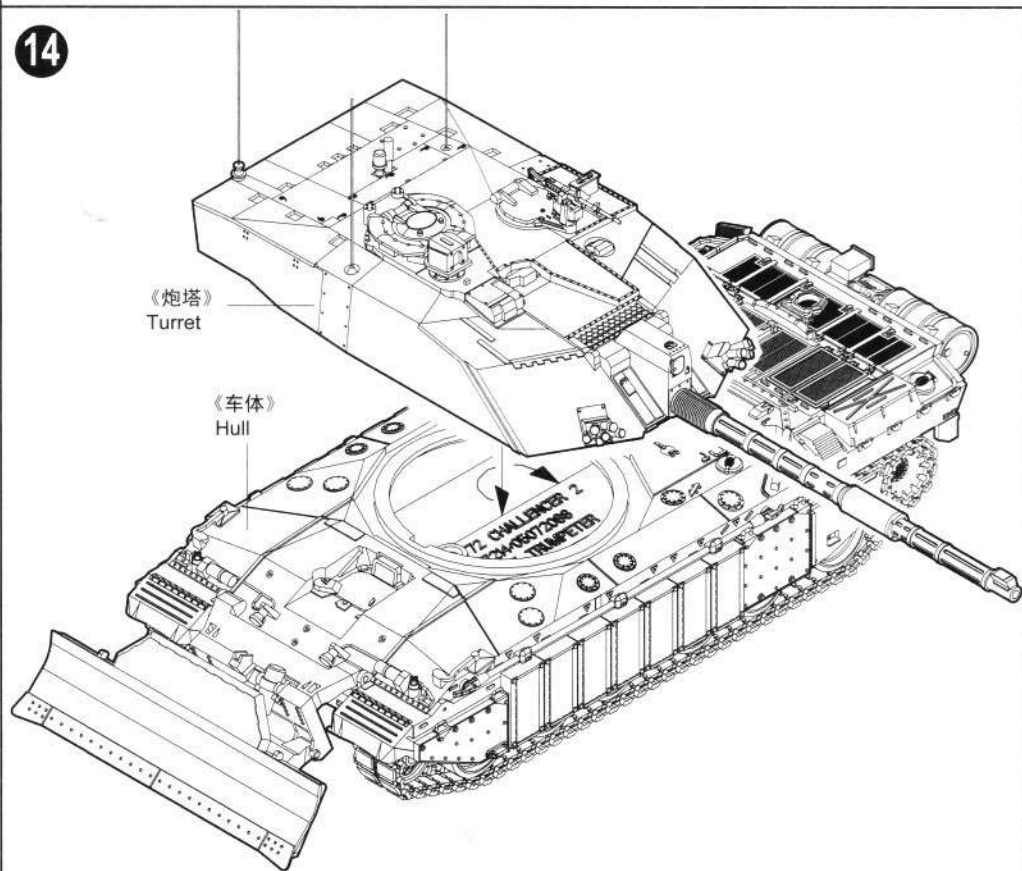
11



13



14

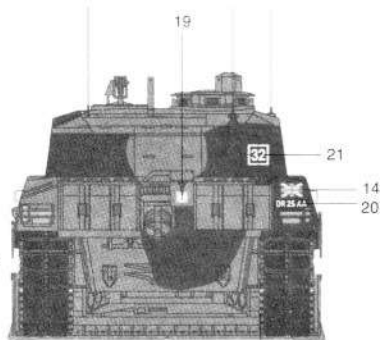
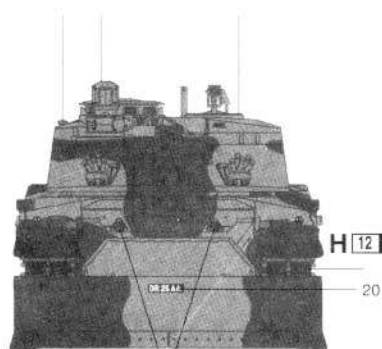
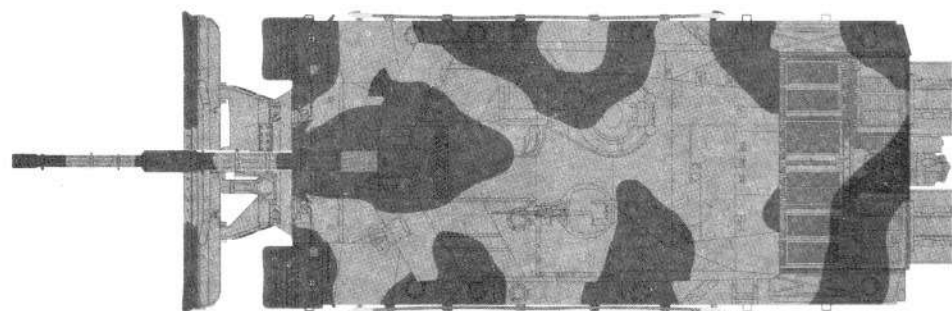
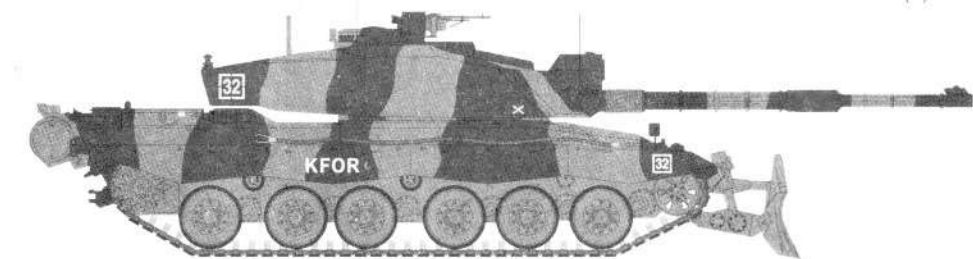


涂装同标贴指示 Painting & Marking guide

使用郡仕公司涂料
Gunze Sangyo Mr. colors used

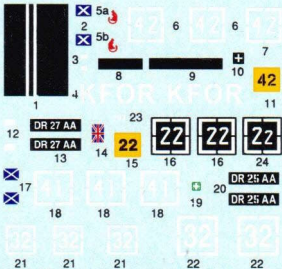


H 12 33 消光黑 80% + H 76 38 橄榄褐(2) 20%
Flat black 80% Olive drab(2) 20%



H [X] GUNZE SANGYO AQUEOUS HOBBY COLOUR

X GUNZE SANGYO MR COLOUR



07216 1/72 Challenger 2 TANK (Kosovo War)