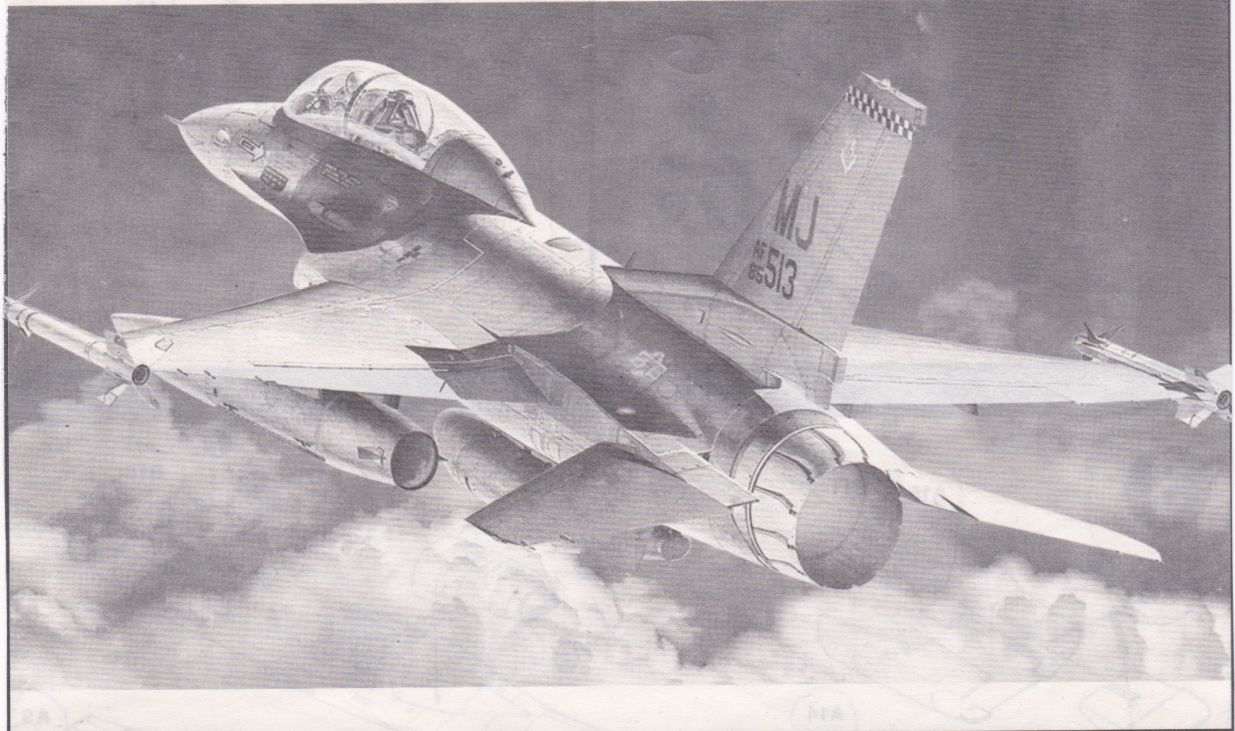


# F-16D FIGHTING FALCON



**Read before assembly.**  
**组装前敬请仔细阅读。**



**CAUTION:**

1. Before you start assembly, you should read all the instructions carefully.
2. Please have all the necessary tools ready before start assembling.
3. Please use a cutter to help to remove plastic parts. Be careful, do not break off any plastic parts.
4. The remove plastic parts have sharp, pointed or Jagged edges. These edges have to be soften with a file or sandpaper.
5. Check the fitness of each part before cementing
6. Do not use glue or paint near an open flame. Keep the window open.
7. Plastic bags can be dangerous. To avoid danger of suffocation keep this bag away from babies and children.
8. Do not use too much cement to join parts. Too much cement could hinder the assembly.
9. For child age 8 and up.

**注意:**

本品适合8岁以上，请在大人的监护下使用。使用工具应小心，注意安全。用模型剪从注塑片中取出零件，修去多余料头及飞边，勿拔取零件。使用模型胶勿过量，不得近火源。商品的空袋为了不让小孩套在头上，请撕毁。禁止把零部件含入口。  
 执行标准: Q/FZDF 001-2001



**Cement parts**  
 用胶粘接



**DO Not cement**  
 不用胶粘接



**Cut away**  
 割去



**Caution**  
 特别注意



**ballast (not included)**  
 压仓物  
 (本品不包括)



**Optional parts**  
 可选的部分



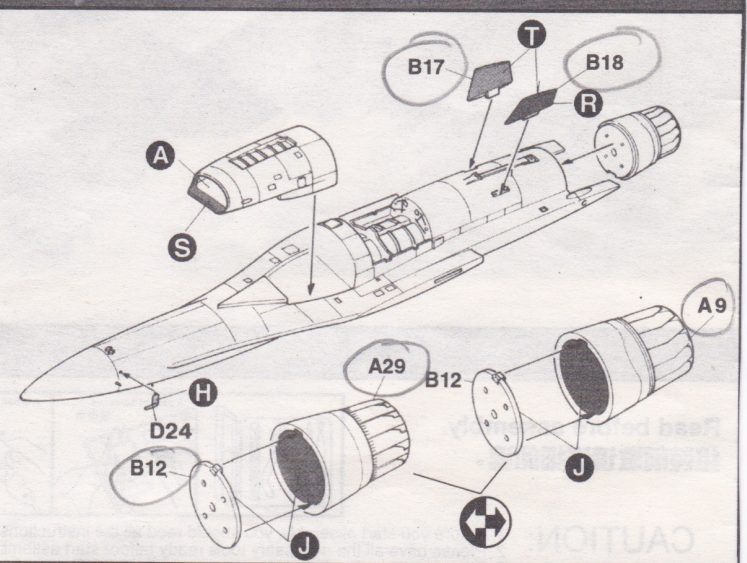
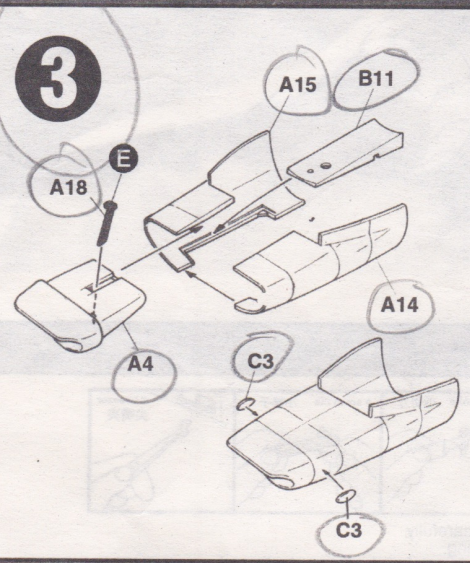
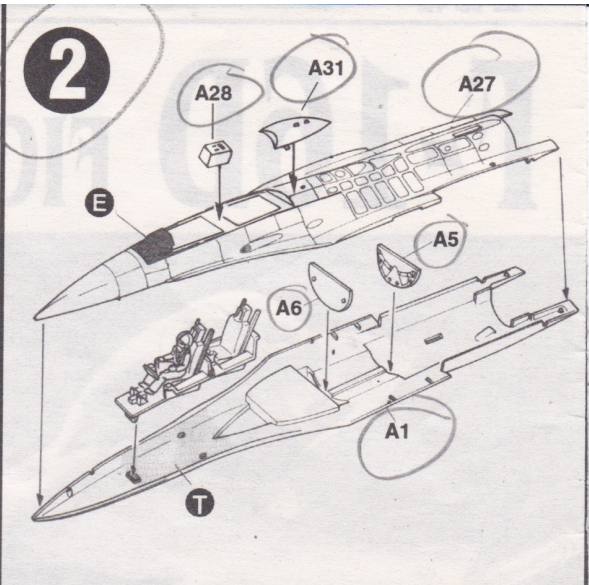
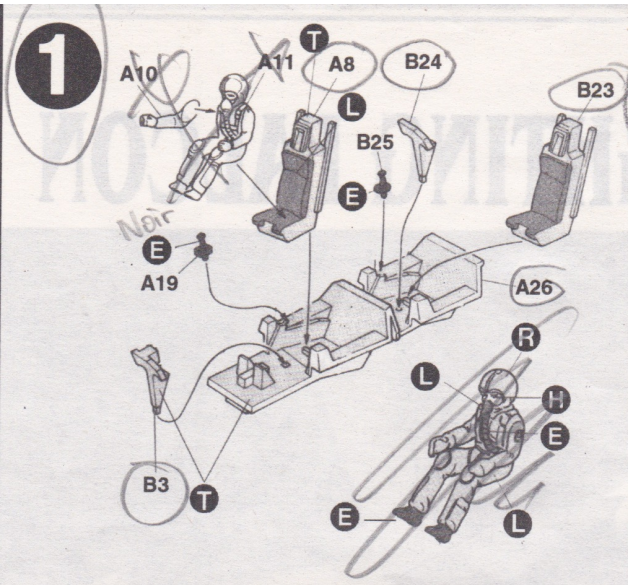
**Repeat operation**  
 重复操作



**stick on the decal**  
 贴上火贴纸

KIU HUNG TOYS CO., LTD  
 Tel: (852) 2693 0368 Fax: (852) 2693 1189  
 14/F., Yale Ind. Centre, 61-63 Au Pui Wan Street,  
 Fotan, Shatin, Hong Kong.

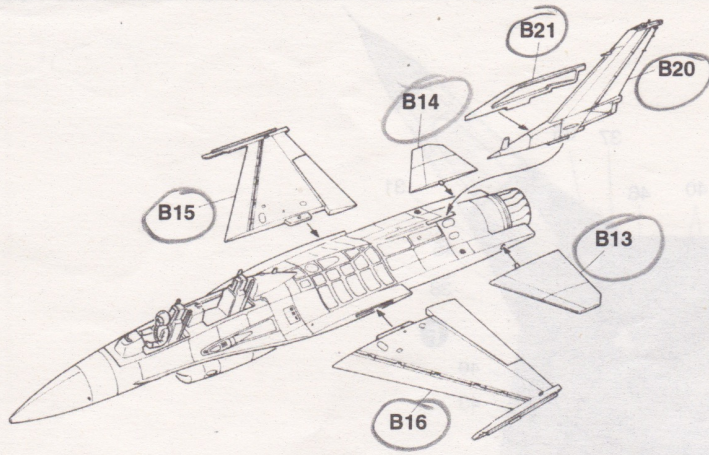
中国总经销  
 奇嘉礼品玩具有限公司  
 地址: 福州市杨桥东路118-122号侨雄商业中心A座19楼  
 电话: 0591-7536818 传真: 0591-7539838



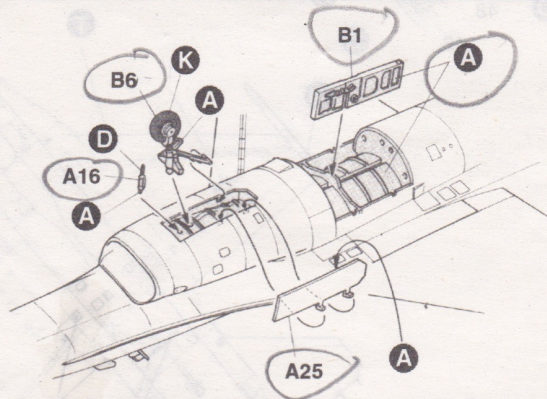
<b>A</b>	white	weiss	blanc	banco	白色
<b>B</b>	black	schwarz	noir	nero	黑色
<b>C</b>	yellow	gelb	jaune	giallo	黄色
<b>D</b>	silver	silber	argent	argento	银色
<b>E</b>	flat black	mattschwarz	noir mat	nero opaco	哑黑色
<b>F</b>	steel	stahl	acier	acciaio	黑铁色
<b>G</b>	white	weiss	blanc	banco	白色
<b>H</b>	flesh	fleischfarbe	chair	color carne	肌肉色
<b>I</b>	red brown	rotbraun	marron rouge	marrone rassicio	红褐 啡红色
<b>J</b>	burnt iron	gebreisen	fer brule	ferro bruciato	烧铁色

<b>K</b>	tire black	reifenschwarz	noir de pneu	nero pneumatico	胎黑色
<b>L</b>	khaki green	khakigrün	vert khaki	verde kaki	咔叽绿色
<b>M</b>	clear red	rot,rein	rouge clair	rosso chiaro	透明红色
<b>N</b>	clear blue	vblau,rein	bleu clair	blu chiaro	透明蓝色
<b>O</b>	smoke gray	rauchgrau	gris fumee	grigio fumo	烟灰色
<b>P</b>	olive drab	olive drab	olive drab	oliva pallido	橄榄绿色
<b>Q</b>	dark gray	dunkel grau	gris fonce	grigio scuro	深灰色
<b>R</b>	light gray	hellgrau	gris clair	grigiochiaro	浅灰色
<b>S</b>	gray	grau	gris	grigio	灰色
<b>T</b>	light gray	hellgrau	gris clair	grigiochiaro	浅灰色

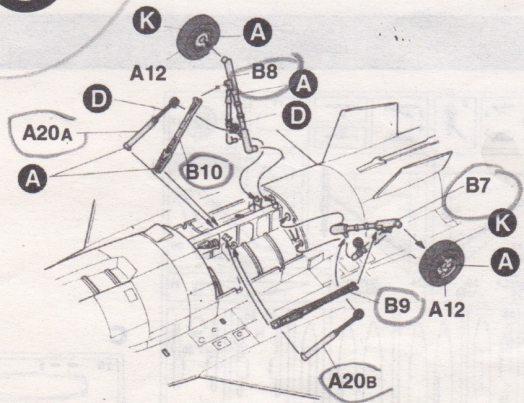
4



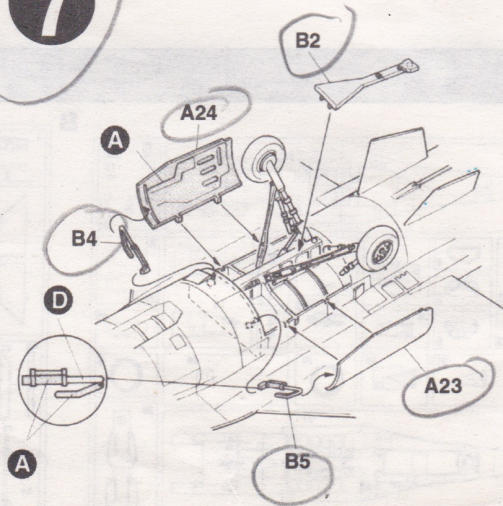
5



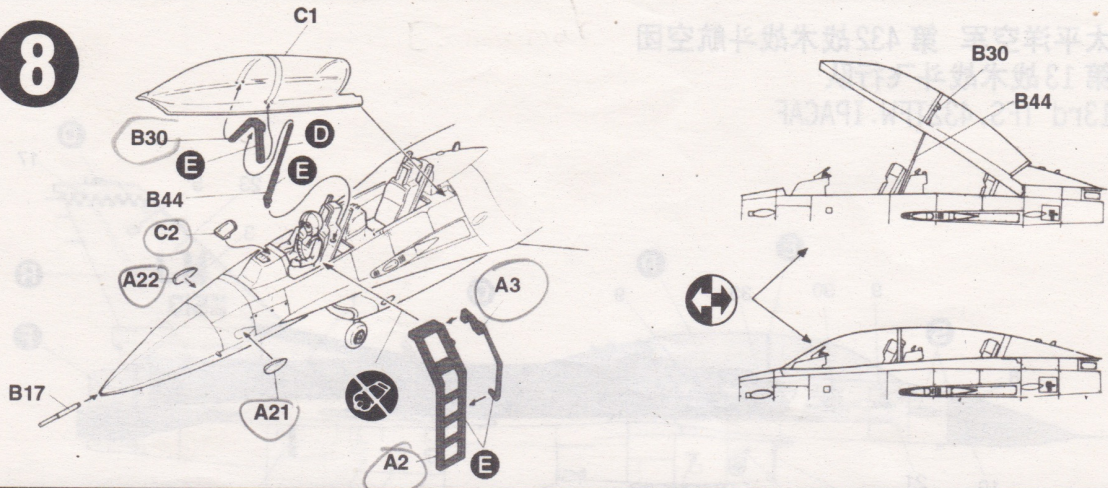
6



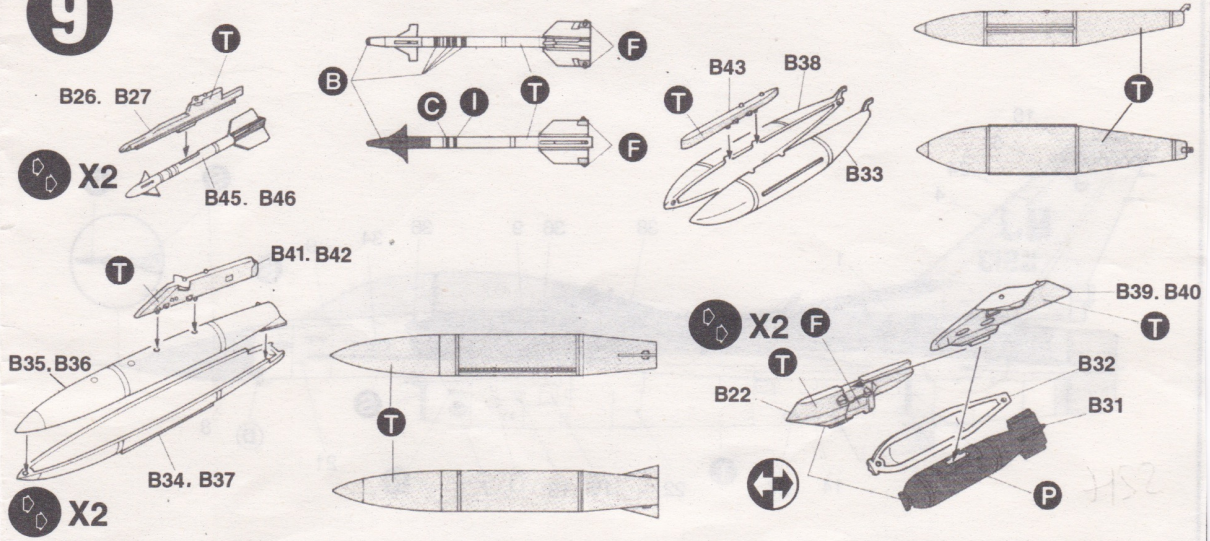
7



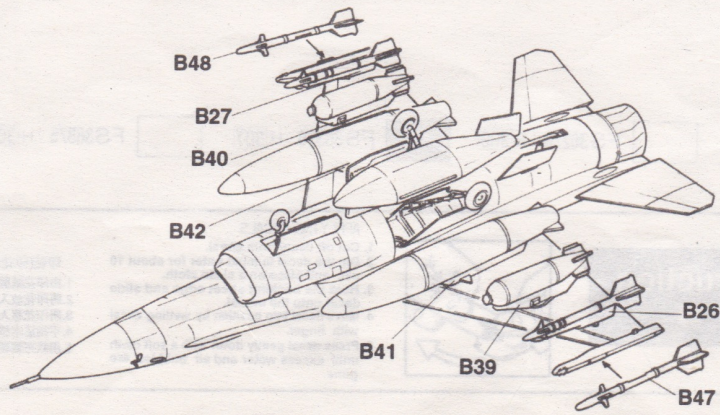
8



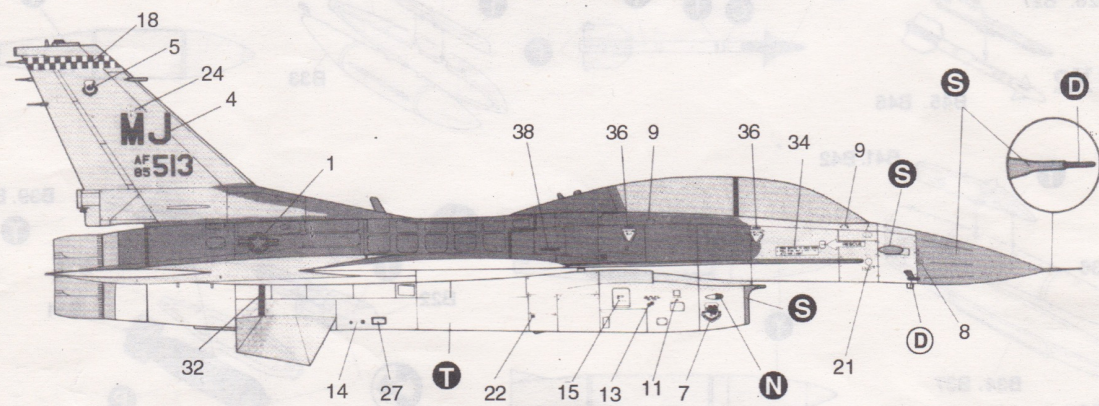
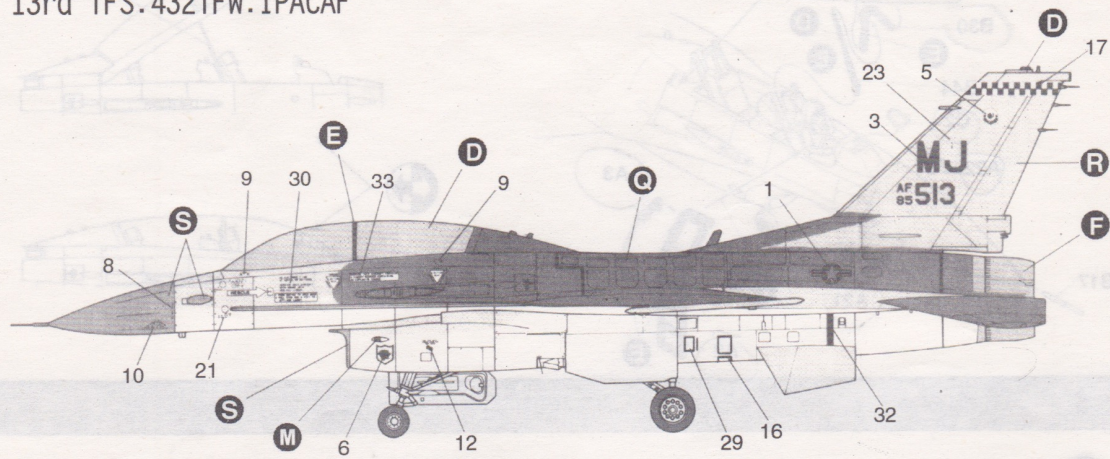
9



10

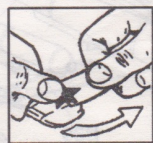


太平洋空军 第432战术战斗航空团  
 第13战术战斗飞行队  
 13rd TFS. 432TFW. IPACAF



- FS36118 : H305
- FS36270 : H306
- FS36320 : H307
- FS36375 : H308

**Painting instruction**  
 塗裝指導



- APPLYING DECALS**
1. Cut off decal from sheet.
  2. Dip the decal in tepid water for about 10 sec. and place on a clean cloth.
  3. Hold the backing sheet edge and slide decal onto the model.
  4. Move decal into position by wetting decal with finger.
  5. Press decal gently down with a soft cloth until excess water and air bubbles are gone.

- 印花(印花水貼紙)應用**
1. 由印花紙剪下印花。
  2. 將印花放入溫水中約10秒然後放於乾淨布上。
  3. 將印花移入模型上。
  4. 手指沾水移放印花到位置。
  5. 用軟布輕輕壓印花直到水泡消失。

