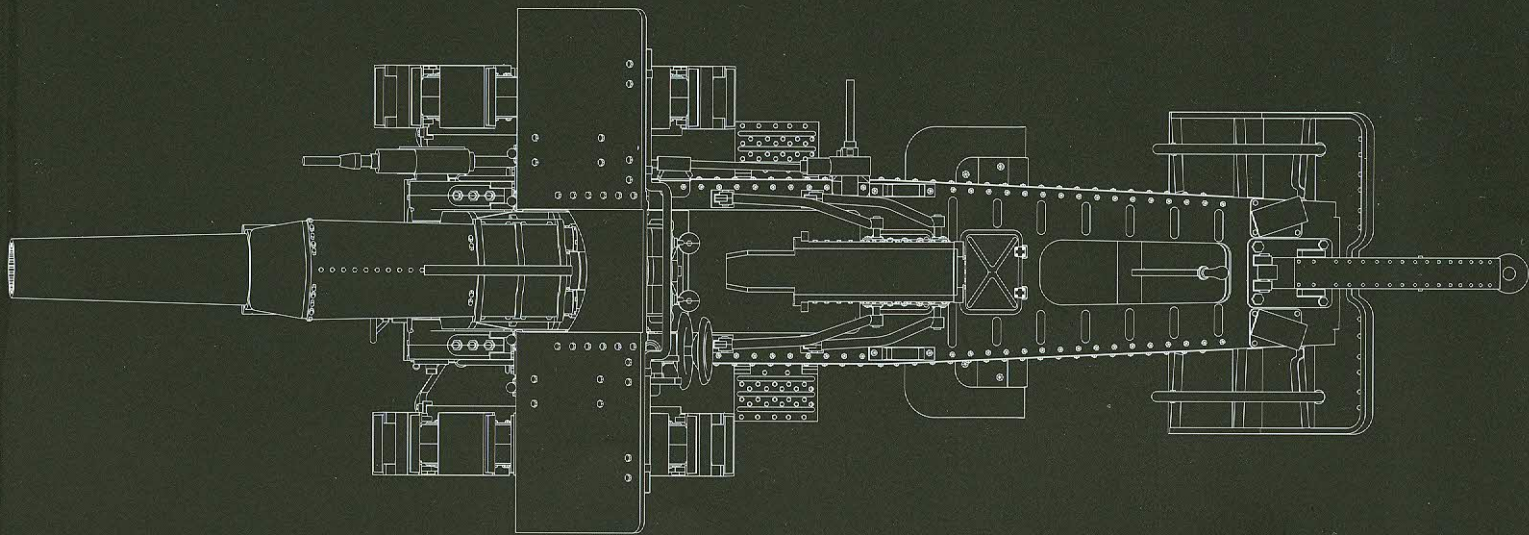


WWI/ WWII GERMAN

# Krupp 21 cm Mörser 10/16



The 21 cm Mörser 16 (21 cm Mrs 16), or longer 21 cm Mörser, was a heavy howitzer used by Germany in World War I and World War II (although classified as a mortar (Mörser) by the German military).

The 21 cm Mörser 10 (21 cm Mrs 10) was a heavy howitzer used by Germany in World War I (although classified as a mortar (Mörser) by the German military).

03.02.2032

## READ BEFORE ASSEMBLY

### CAUTION

- Read carefully and fully understand the instructions before commencing assembly. A supervising adult should also read the instructions if a child assembles the model.
- When assembling this kit, tools including knives used. Extra care should be taken to avoid personal injury.
- Keep out of reach of small children. Children must not be allowed to suck any part, or pull vinyl bag over their heads.



Instant Glue  
for Metal



Do Not  
Cement



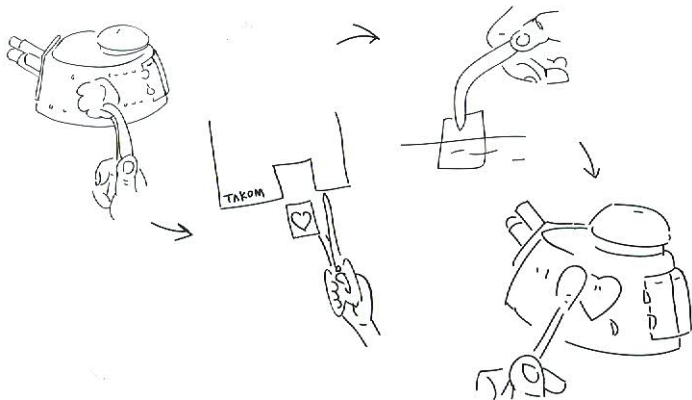
Be Careful

### PAINTS REQUIRED

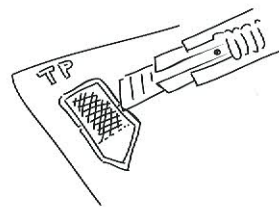
Color info and profiles by Mig Jimenez

### APPLYING DECALS

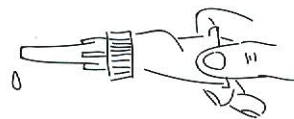
1. Clean the model surface with a wet cloth.
2. Cut out each decal design from sheet, and dip it in tepid water for 15-20 sec.
3. Hold the backing sheet edge and slide decal onto the model.
4. Move decal into position by wetting decal with finger.
5. Press decal gently down with a soft cloth until excess water and air bubbles are gone.



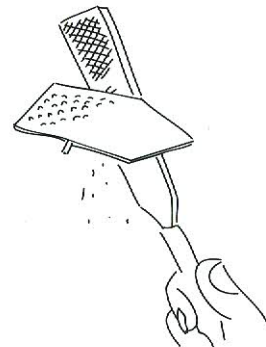
### REMOVING PE



Be careful not to hurt when removing PE parts.



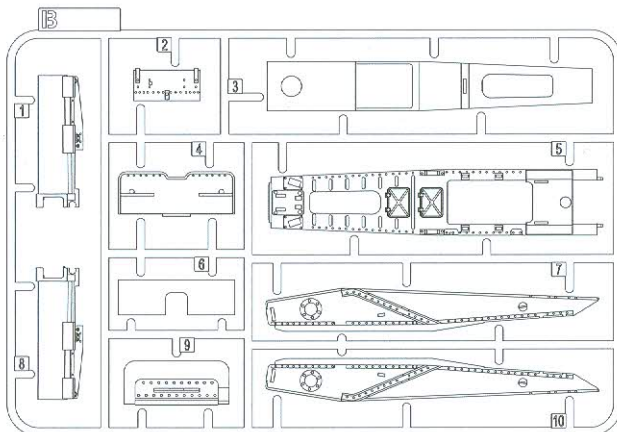
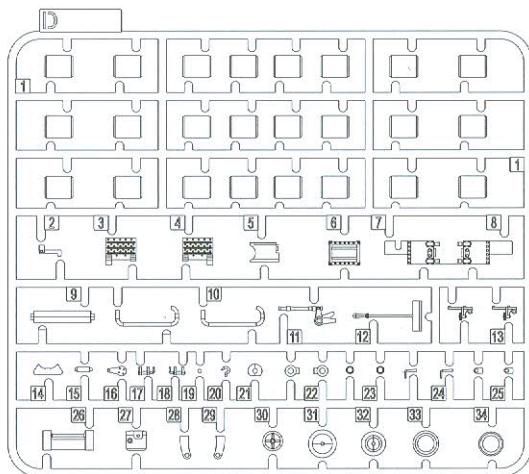
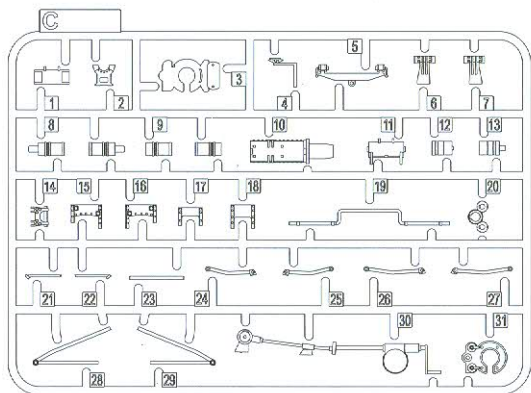
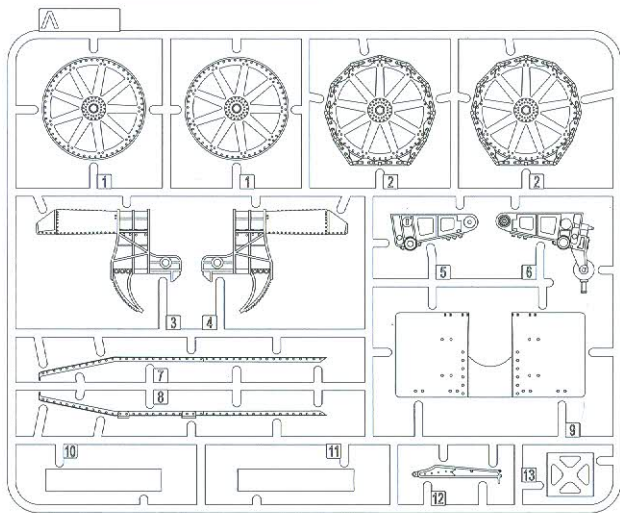
Secure using instant glue (not included).



Finish using file.



# PARTS



Decal



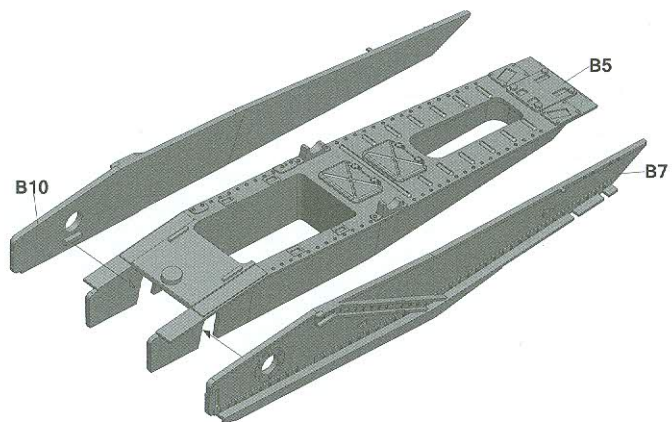
PE

Poly cap

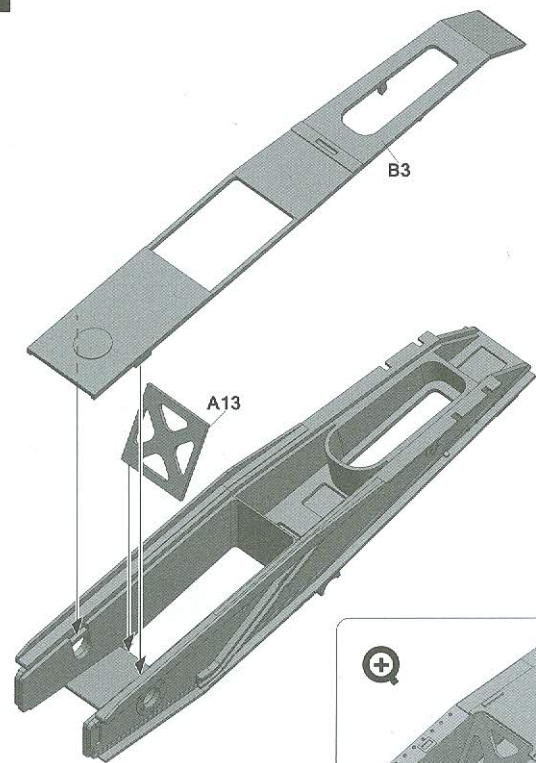


X4

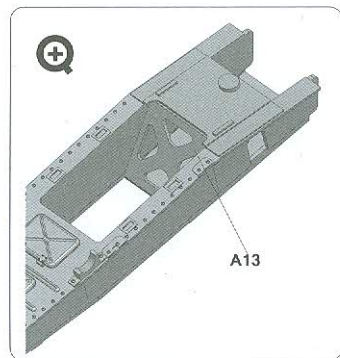
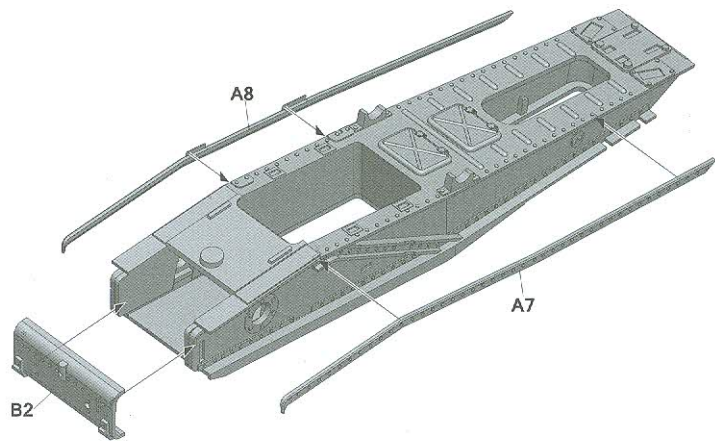
1



2



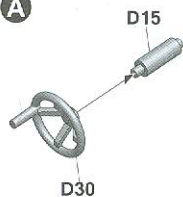
3



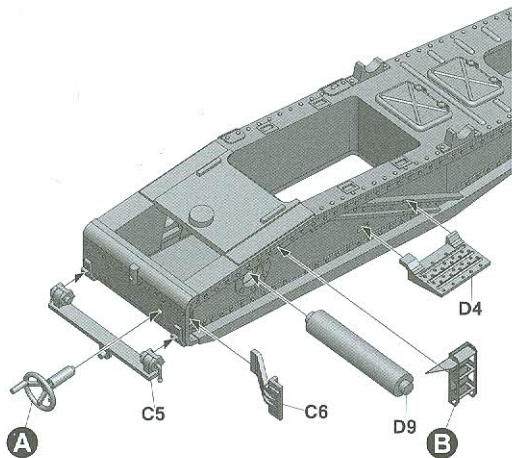
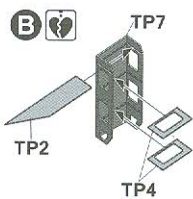


4

A



B

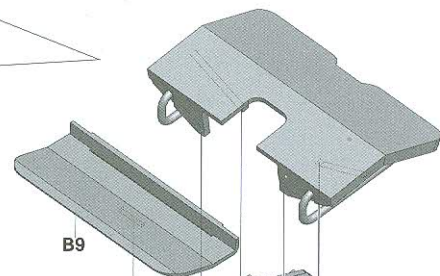
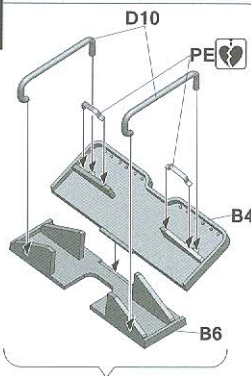
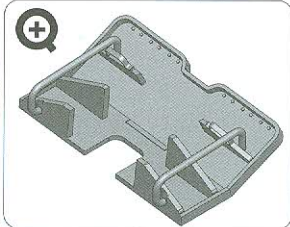


A

B

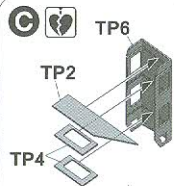
6

+



5

C

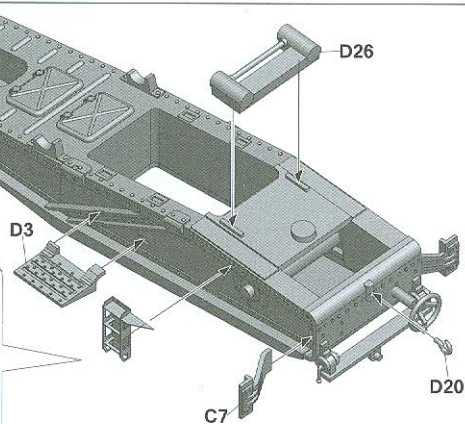


TP4

TP2

TP6

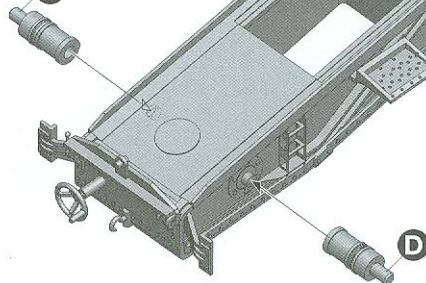
D3



C7

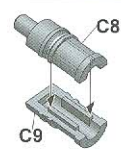
D20

D



B9

D

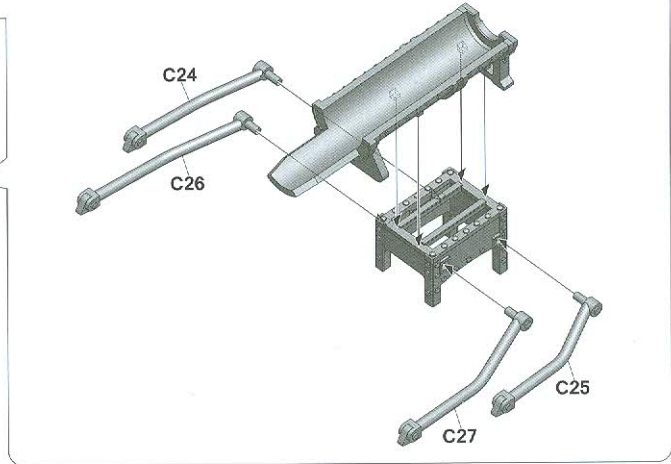
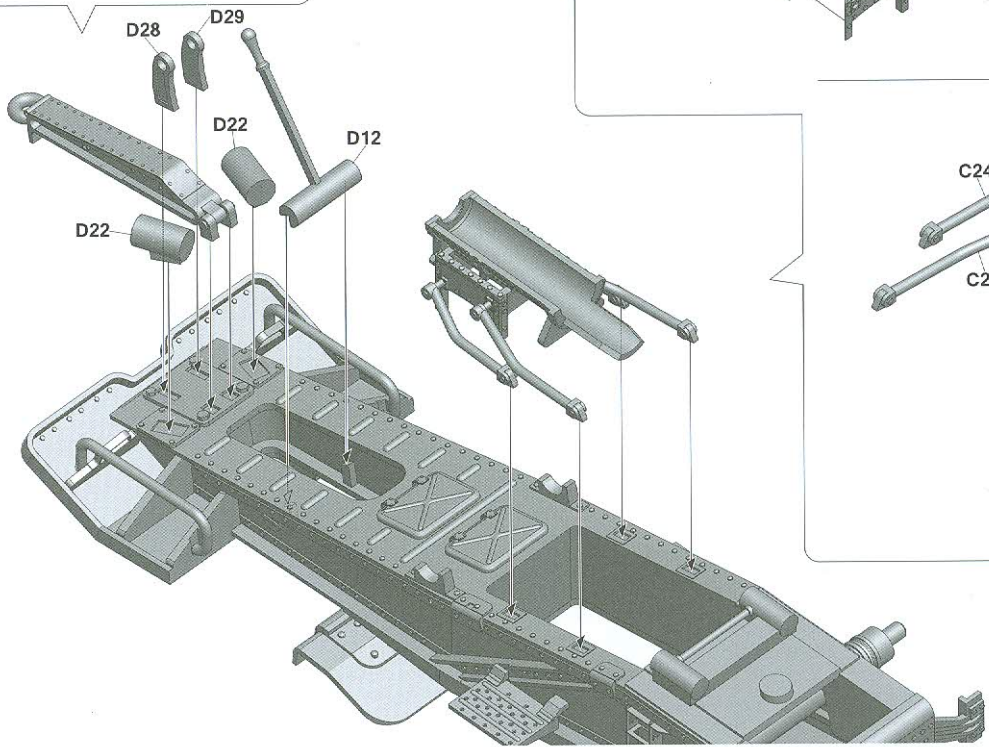
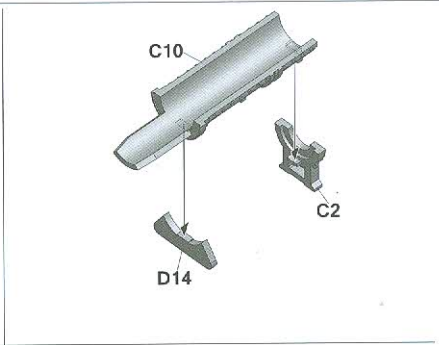
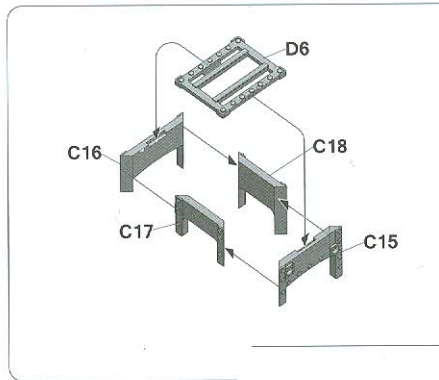
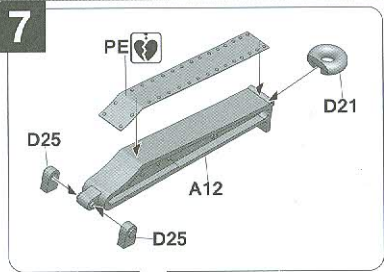


C9

C8

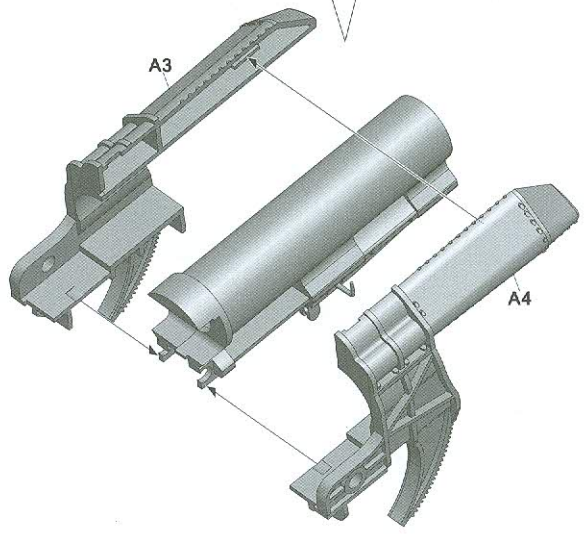
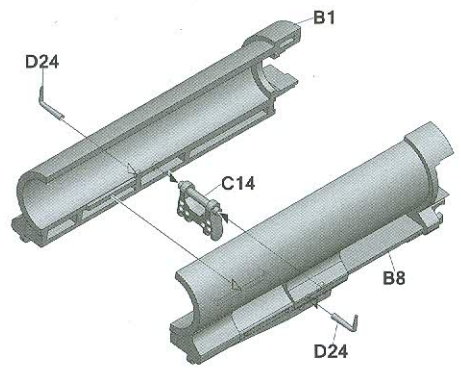
Make 2

7

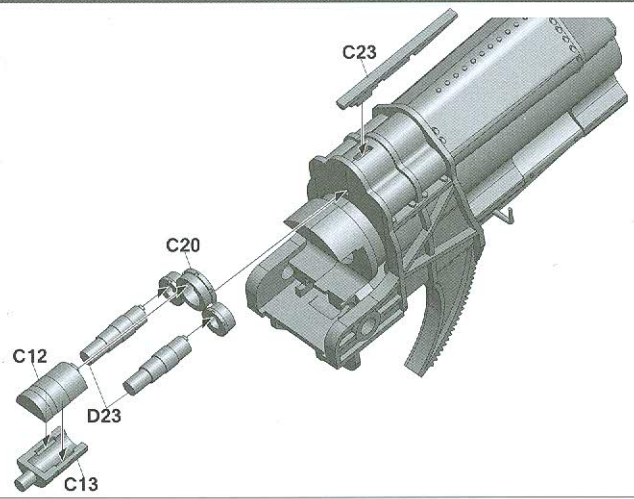




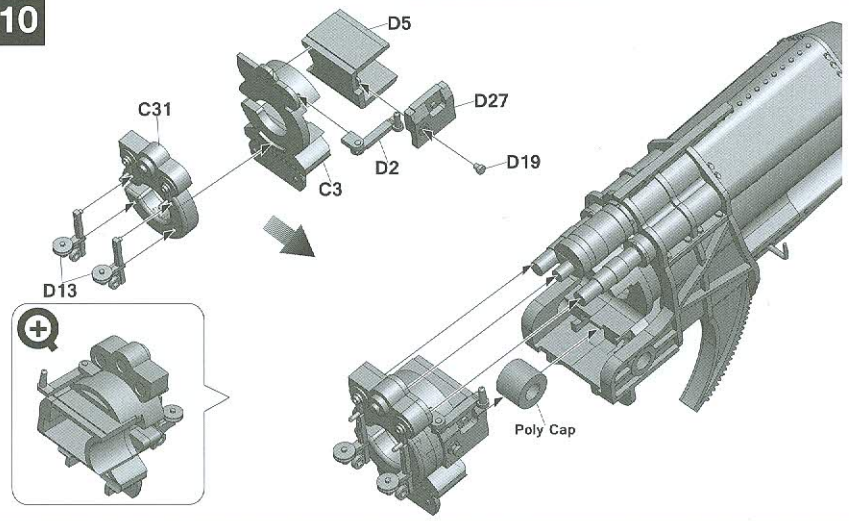
8



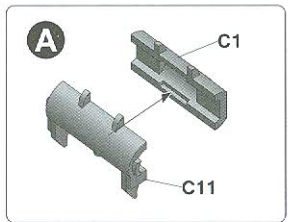
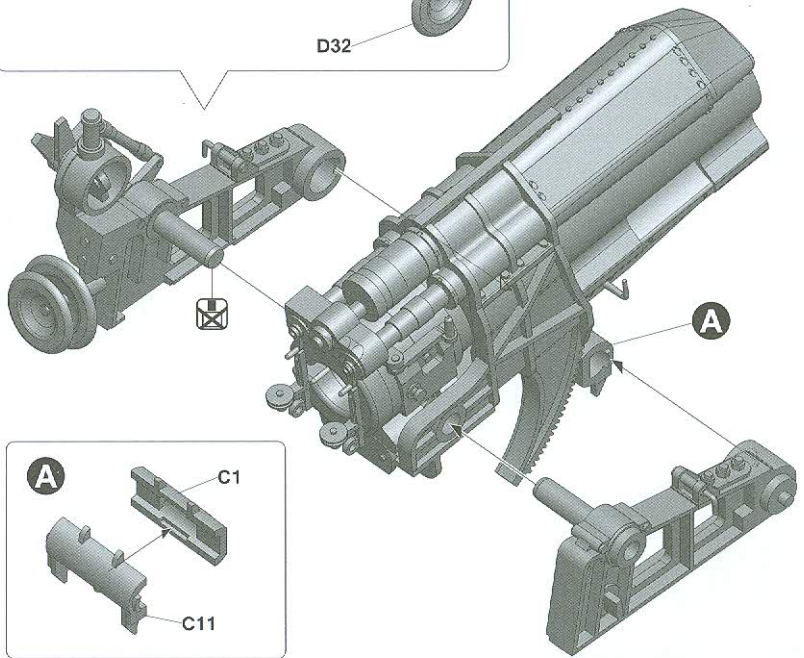
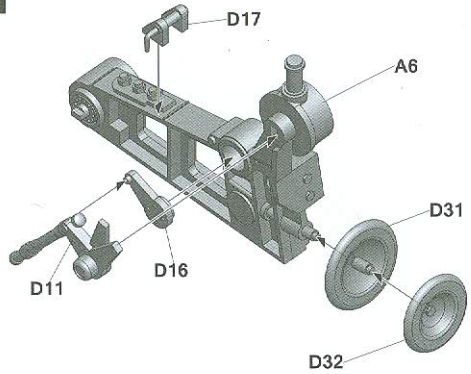
9



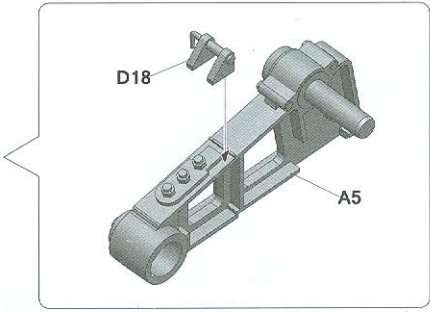
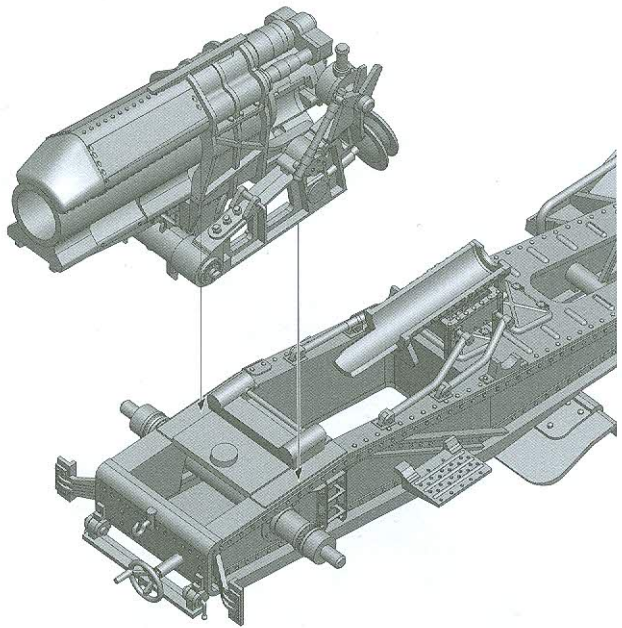
10



11

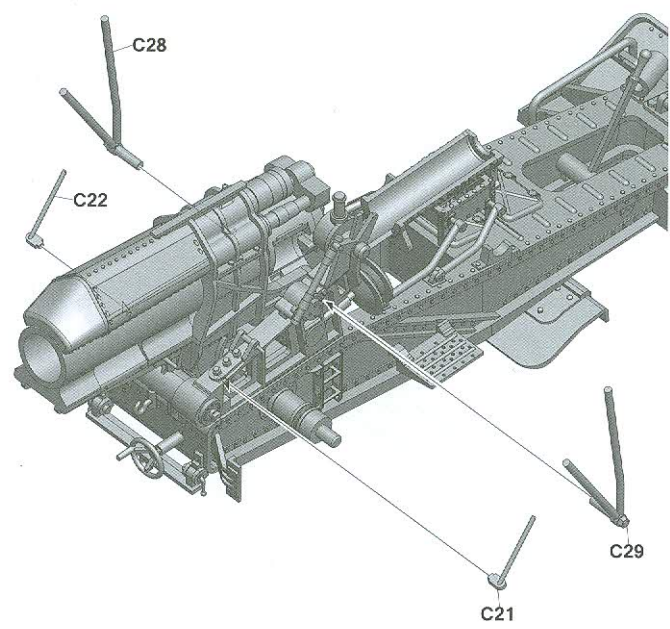


12

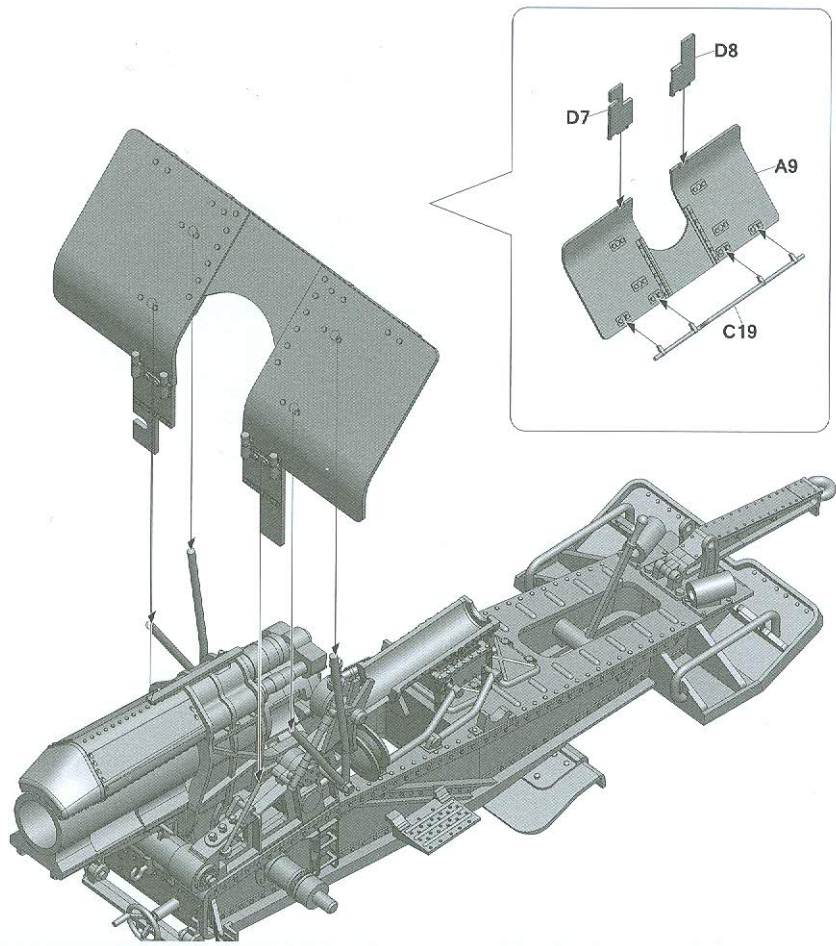




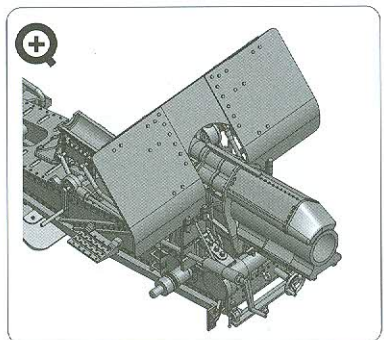
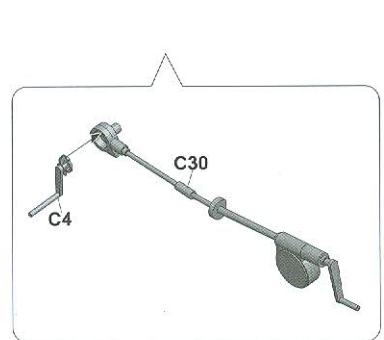
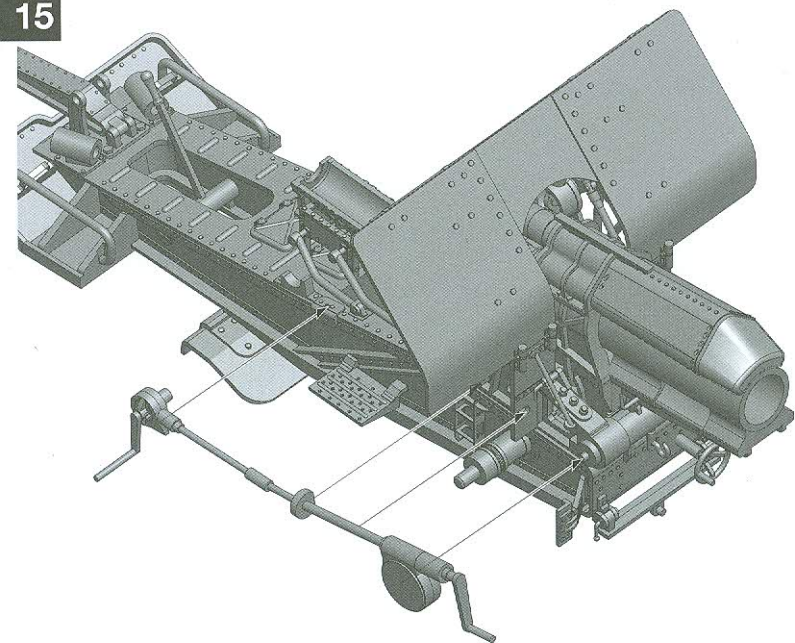
13



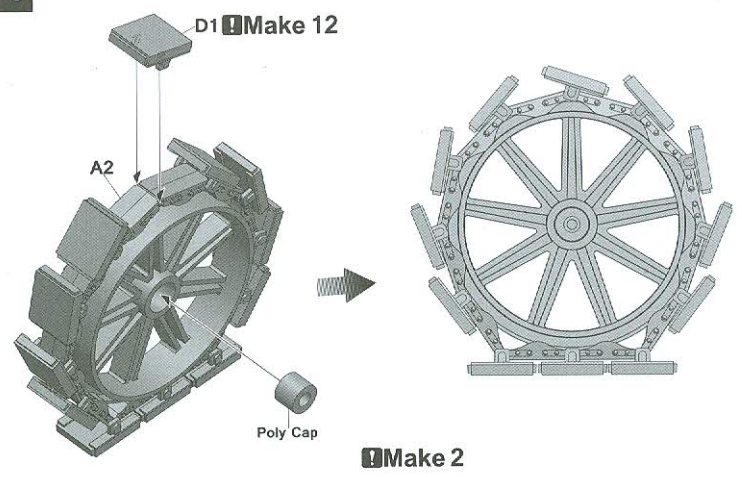
14



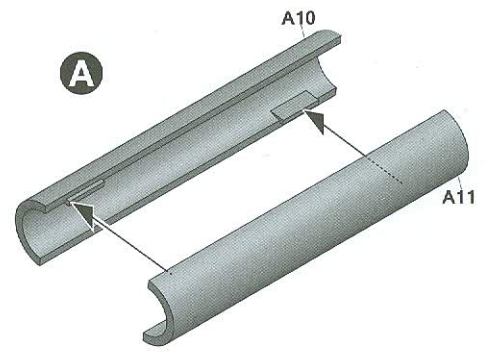
15



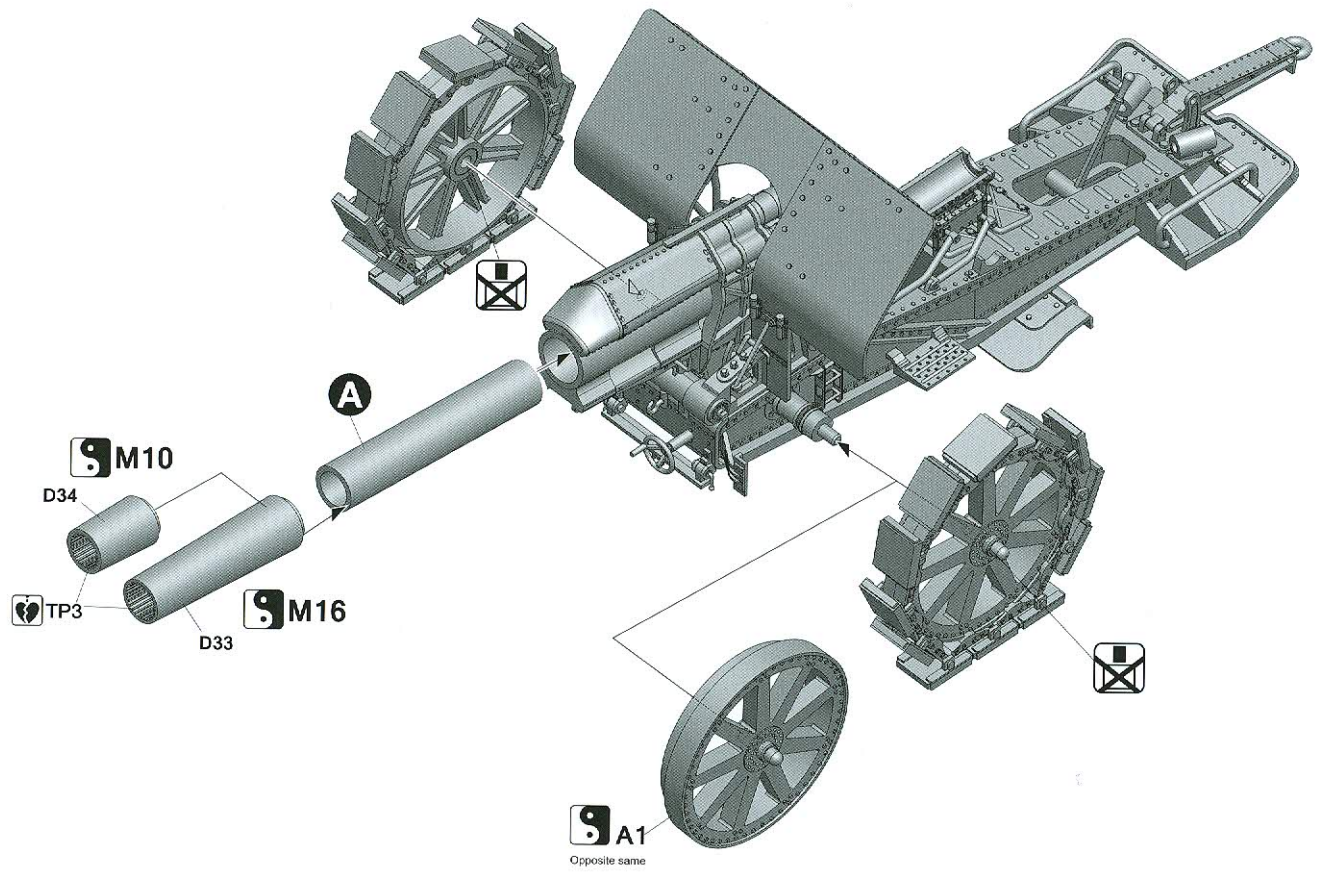
16



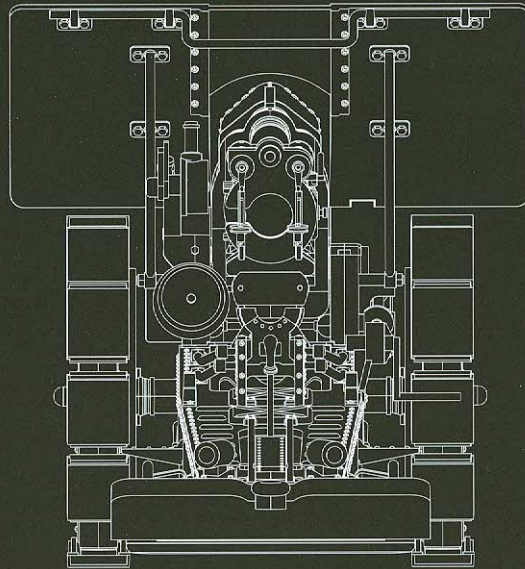
17







2015/2032



You can find TAKOM on [Facebook.com](https://www.facebook.com)



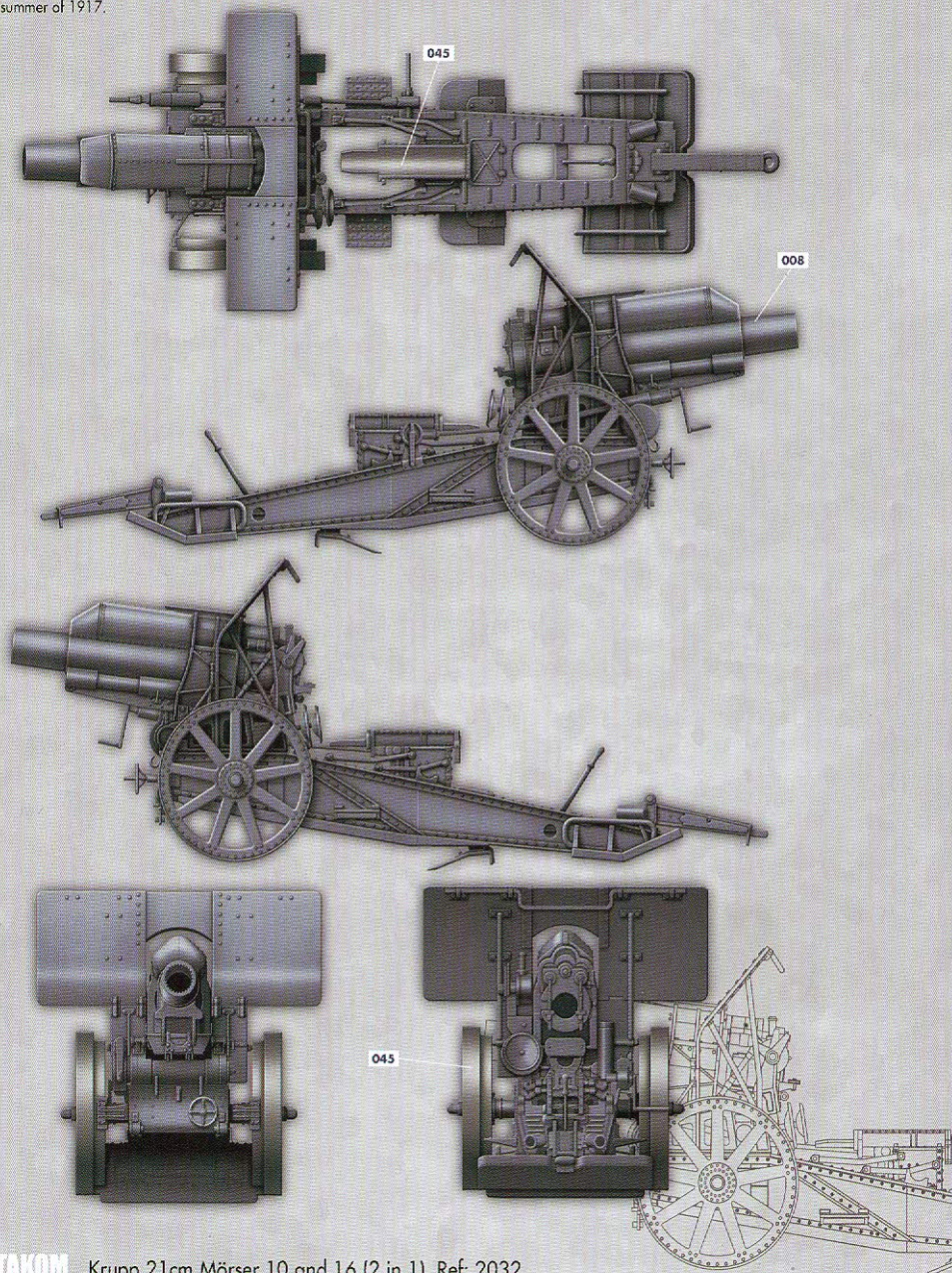
# KRUPP 21CM MÖRSER 10

## Painting and Marking Guide

A.MIG 045 Gun Metal

A.MIG 008 Dunkelgrün

Krupp 21cm Mörser 10; Sereth front in Romania during the summer of 1917.





# KRUPP 21CM MÖRSER 10



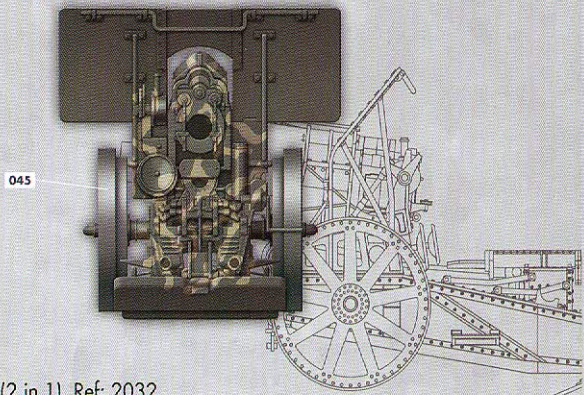
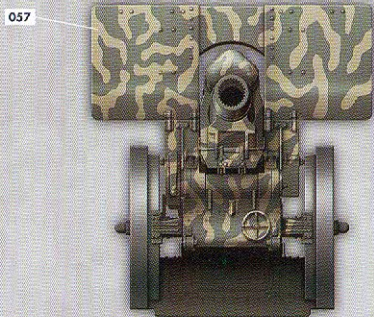
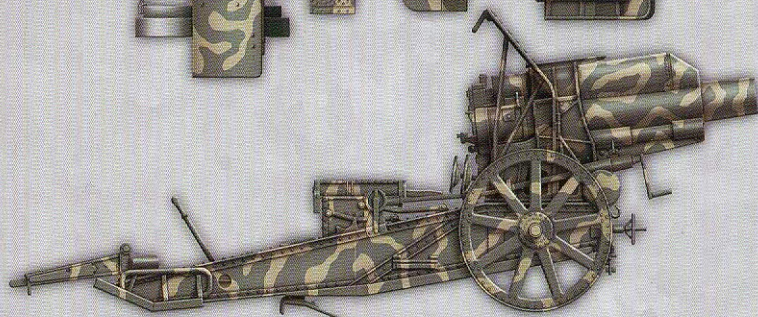
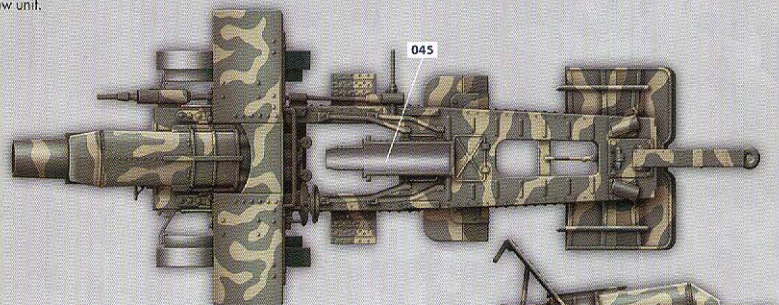
## Painting and Marking Guide

A.MIG 045 Gun Metal

A.MIG 057 Yellow Gray

A.MIG 065 Forest Green

Krupp 21cm Mörser 10; in German Army;  
WWI, unknow unit.





# KRUPP 21CM MÖRSER 10



## Painting and Marking Guide

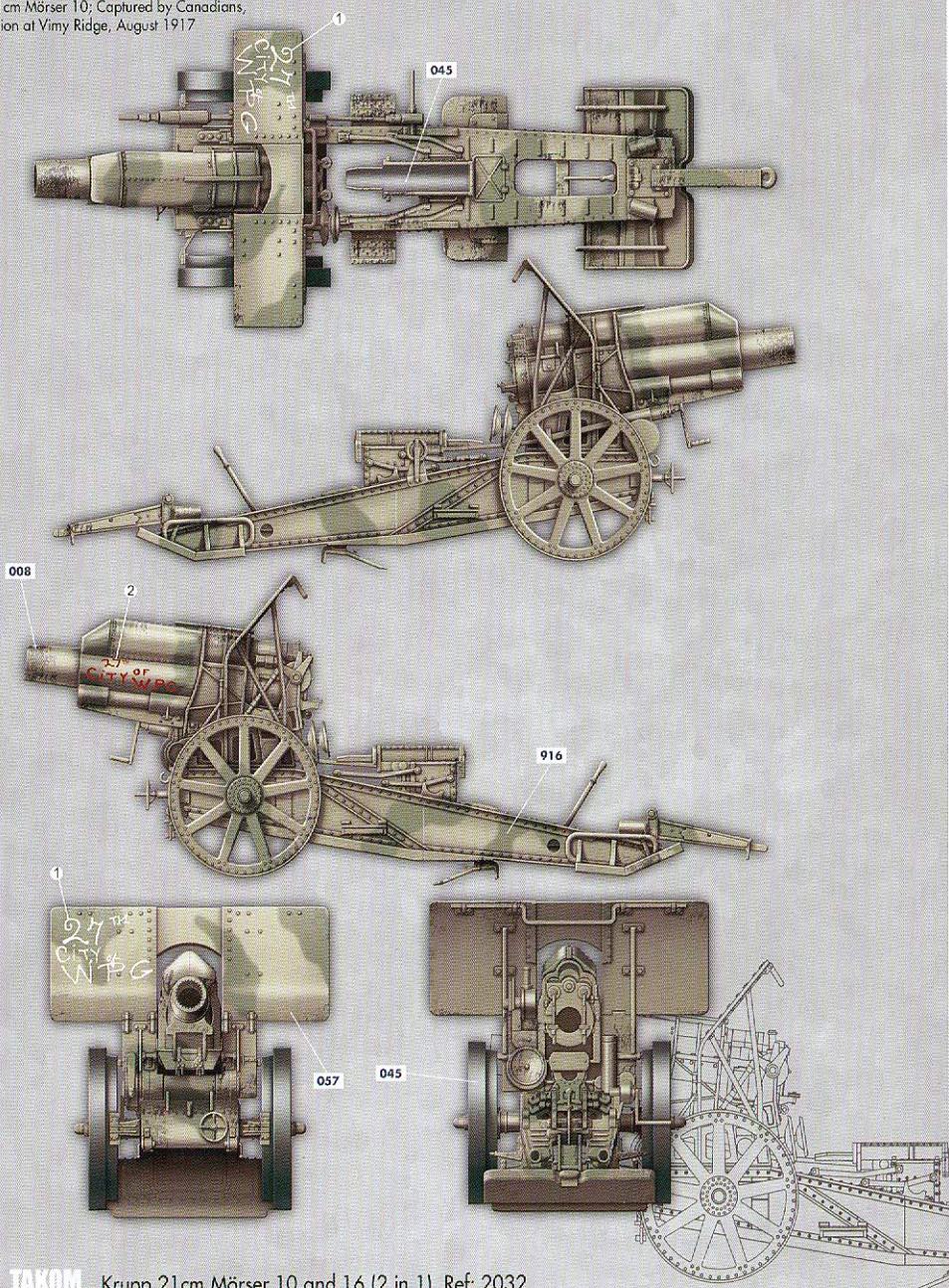
A.MIG 045 Gray-Black

A.MIG 008 Dunkelgrau

A.MIG 057 Yellow Grey

A.MIG 916 Green Base

Krupp 21 cm Mörser 10; Captured by Canadians,  
21 Battalion at Vimy Ridge, August 1917





# HOME OF MODELFAN

**WWI HEAVY BATTLE TANK**  
**MARK V**

A DETAILED STATIC DISPLAY PLASTIC MODEL  
 A EASY ASSEMBLY WORKABLE TRACKS  
 A SUSPENSION AND DRIVE SYSTEM  
 EASILY REMOVABLE  
 ALL WHEELS ARE MOVABLE  
 177 PARTS INCLUDED  
 A SET OF 6 MARKINGS

Male

Hermaphrodite

Female

1/35  
NO.204

3 in 1

Informal boxart

**WWII GERMAN**  
**12.8 CM FLAK 40 ZWILLING**

APPROX. 100% REPRODUCIBLE OF ORIGINAL WWII DESIGN. CAPABLE TO REAR OF GUN. A MODEL MAY BE REPRODUCED OR SOLD SEPARATELY WITHOUT THE SET.

1/35  
NO.205

**MKA "WHIPPET"**

A DETAILED STATIC DISPLAY PLASTIC MODEL  
 A FULL WHEELS ARE MOVABLE  
 A EASY ASSEMBLY WORKABLE TRACKS  
 ALL DOORS CAN BE OPENED  
 A FE PARTS INCLUDED  
 A SET OF 6 MARKINGS

**WWI MEDIUM TANK**

A READY TO ASSEMBLE PROPORTION MODEL KIT. SUITABLE FOR COLLECTORS OF AGE 14 YEARS AND ABOVE. A MODEL MAY BE REPRODUCED OR SOLD SEPARATELY WITHOUT THE SET.

1/35  
NO.202



You can find TAKOM on Facebook.com



# KRUPP 21CM MÖRSER 16



## Painting and Marking Guide

A.MIG 045

Gun Metal

A.MIG 073

Earth

A.MIG 077

Dull Green

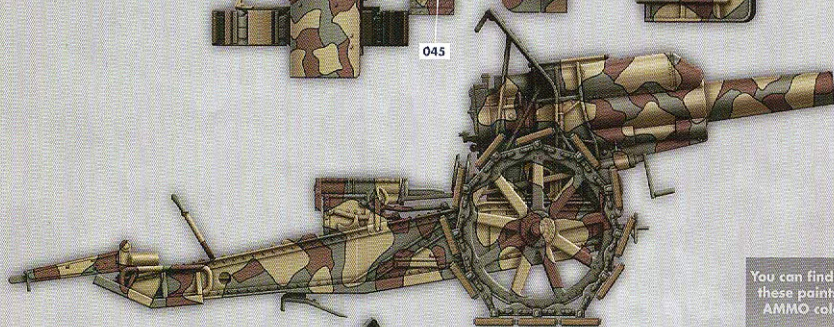
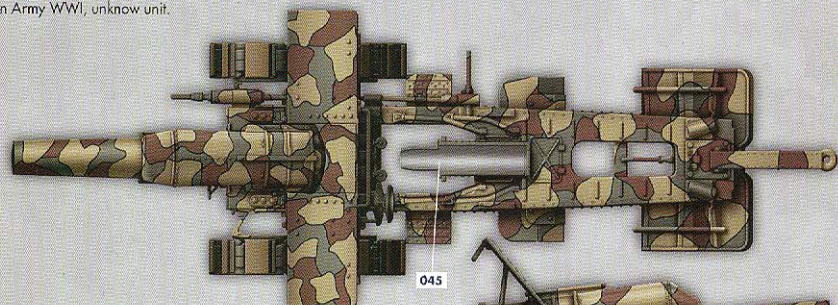
A.MIG 078

Olive Earth

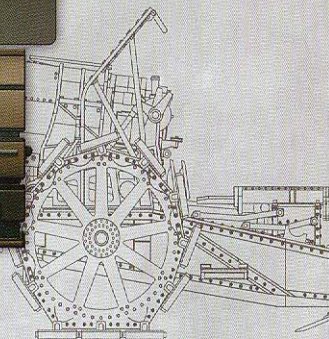
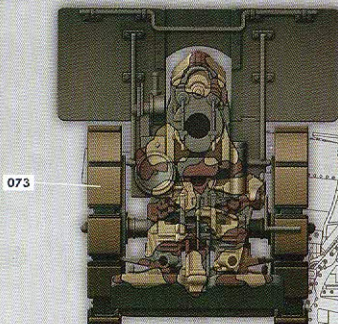
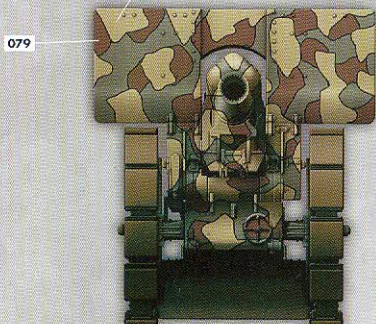
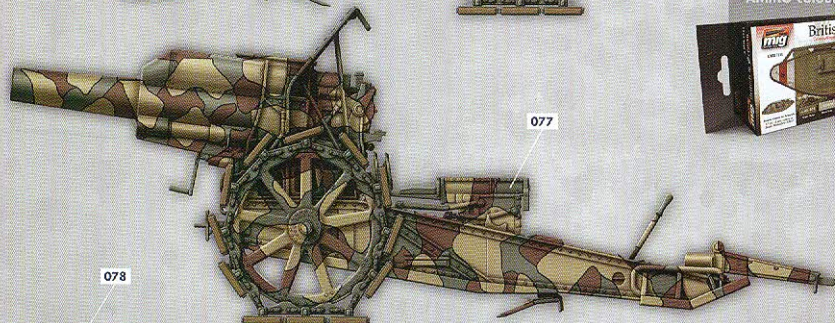
A.MIG 079

Clay Brown

Krupp 21cm Mörser 16;  
German Army WWI, unknow unit.



You can find some of  
these paints in this  
AMMO colour set





# KRUPP 21CM MÖRSER 16

## Painting and Marking Guide

**A.MIG 045** Iron Metal

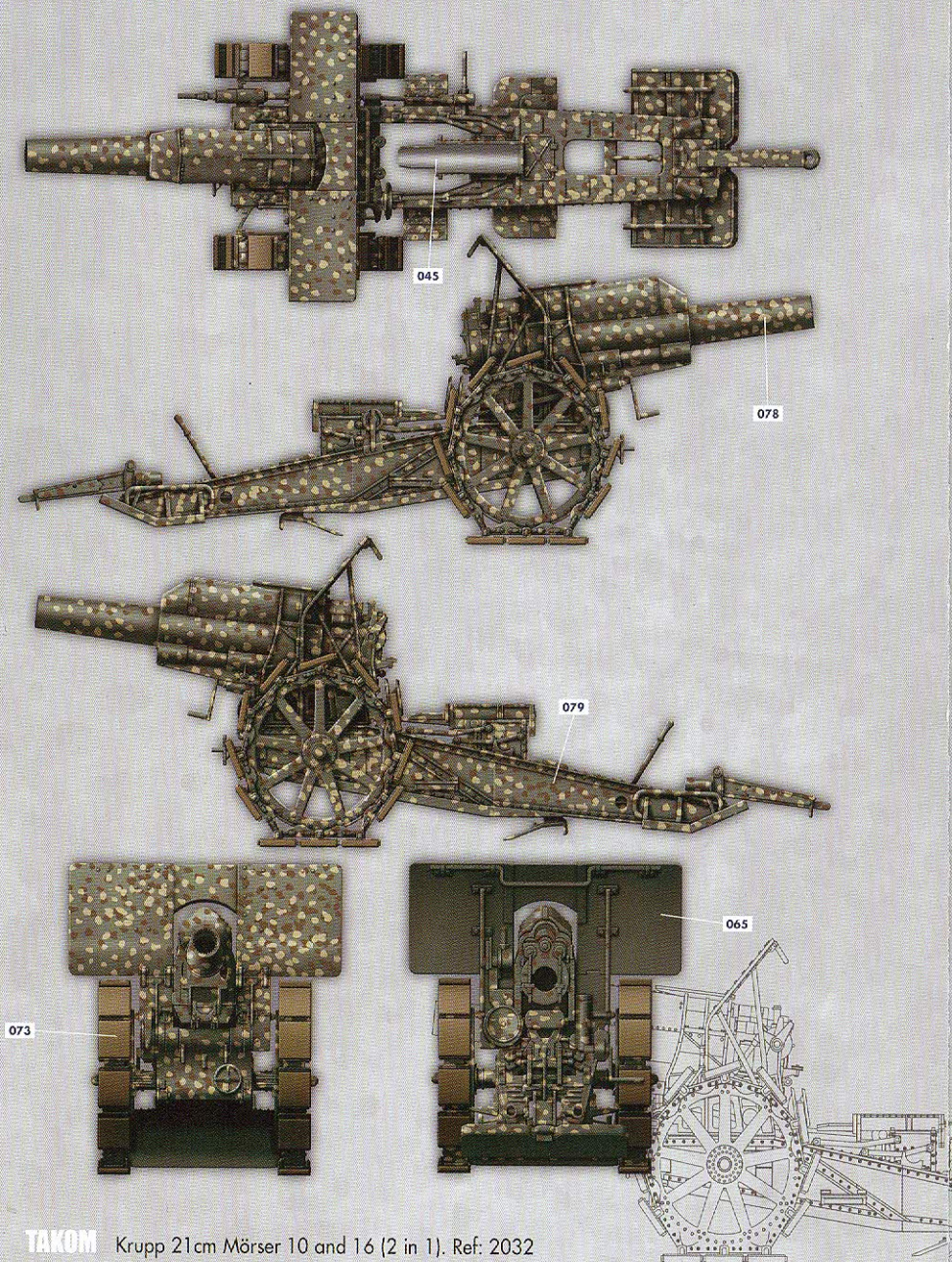
**A.MIG 073** Saffr

**A.MIG 065** Forest Green

**A.MIG 078** Olive Earth

**A.MIG 079** Clay Brown

Krupp 21cm Mörser 16, Artois (1914-1916)





# KRUPP 21CM MÖRSER 16

## Painting and Marking Guide

A.MIG 045 Gun Metal

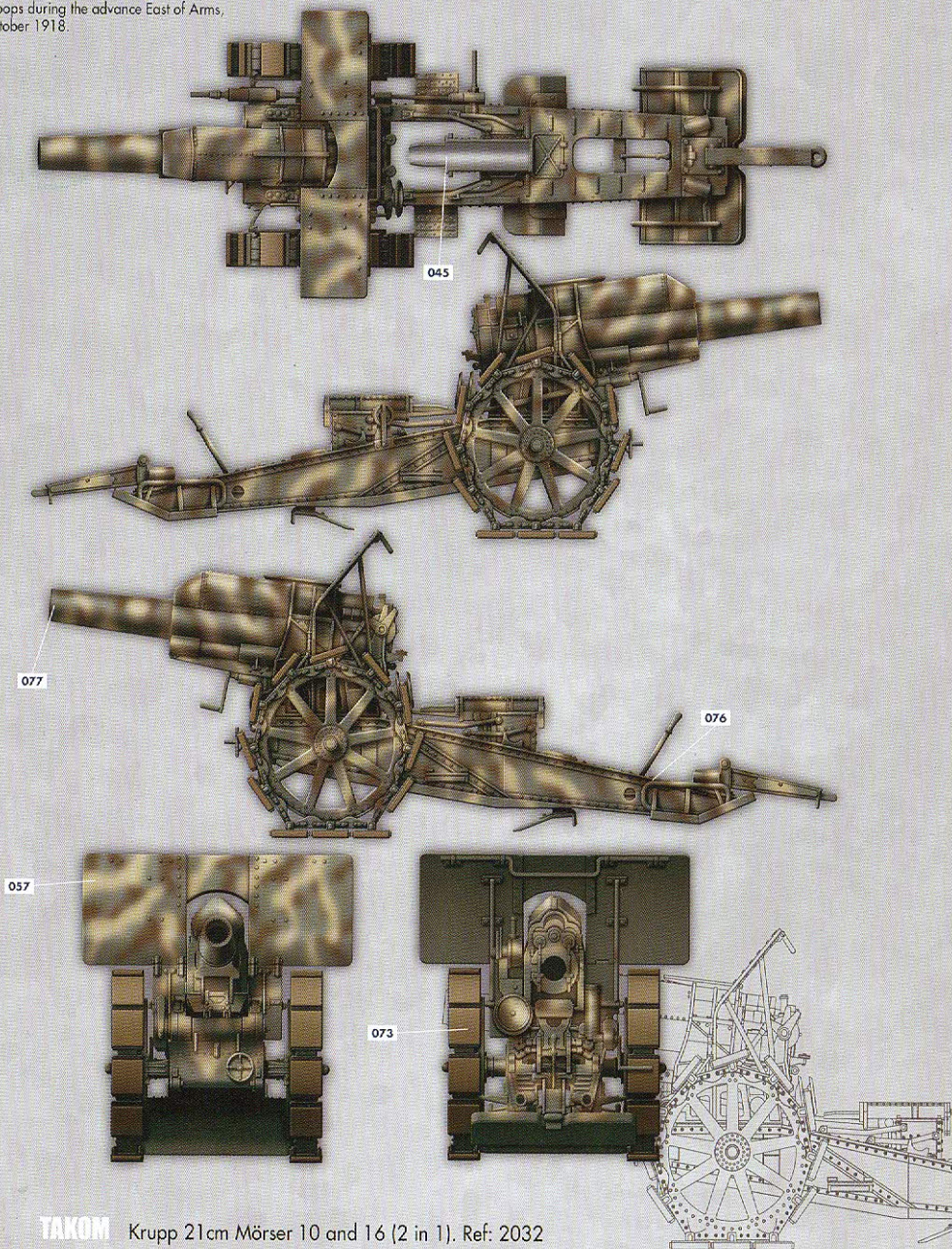
A.MIG 073 Iron

A.MIG 057 Yellow Grey

A.MIG 076 Brown-Gold

A.MIG 077 Dull Green

Krupp 21cm Mörser 16; Captured by Canadian Troops during the advance East of Arras, October 1918.





# KRUPP 21CM MÖRSER 16

## Painting and Marking Guide

**A.MIG 045** Gray Metal

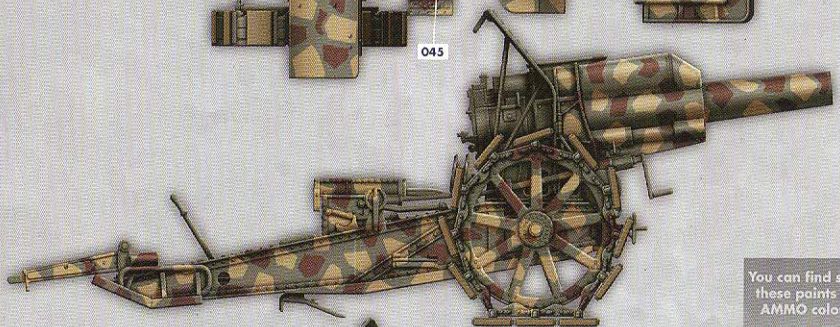
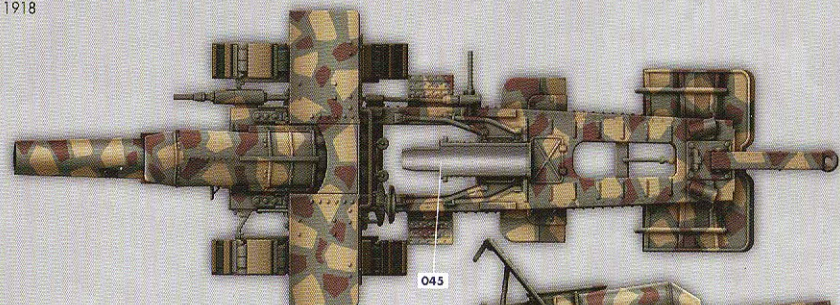
**A.MIG 073** Earth

**A.MIG 076** Brown Soil

**A.MIG 077** Dark Green

**A.MIG 078** Ochre Earth

Krupp 21cm Mörser 16; Ham (Somme);  
March 1918



You can find some of  
these points in this  
AMMO colour set

