



WW Decals 35-13 ■



# HH/MH-60J/T The Guardian

[www.wernerswings.com](http://www.wernerswings.com)



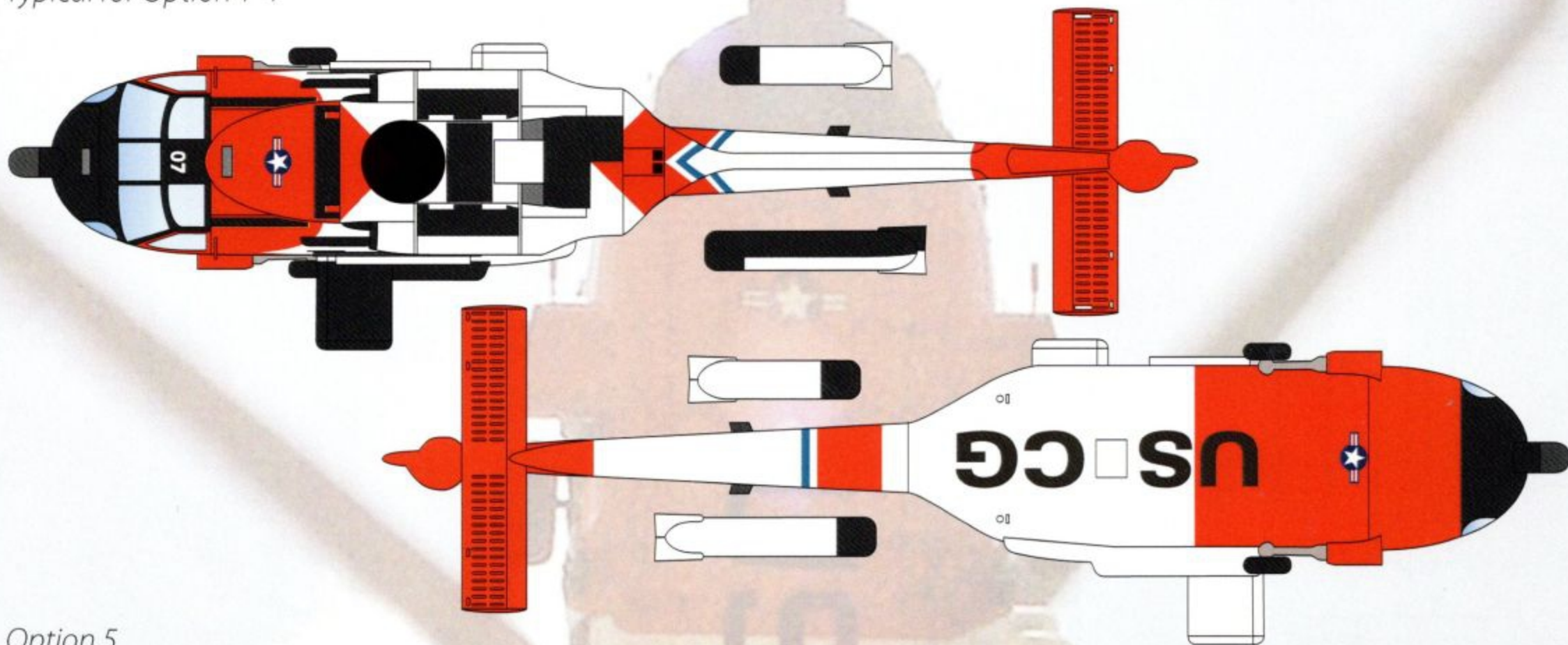
Official Hobbyist of the Coast Guard



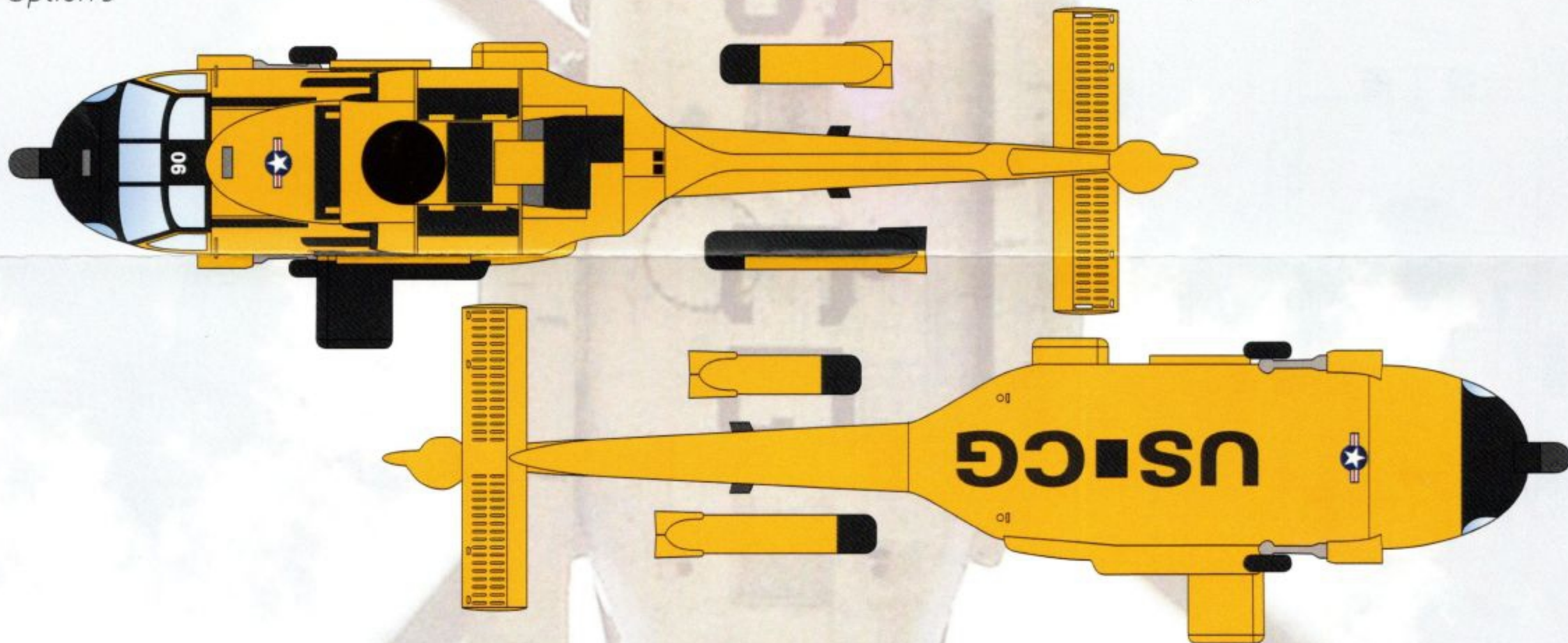


Color Guide ◆ FS 12250 ◆ FS 15123 ◆ FS 13538 ◆ FS 37038 Black ◇ FS 17860 White

Typical for Option 1-4



Option 5



The Main Rotors have a black end cap, with stripes on the top of the blades. First is a 10.25" FS 11136 red stripe, 0.3" in 1/35 scale, then a 12" FS 17860 white stripe, 0.3428" in 1/35th scale and then another 12" stripe in FS 13538 yellow. The rest of the blade is FS 37038 or FS 36320. There is an unpainted nickle abrasion strip along the leading edge of the angled edge of the blade.

For Options 1-4, there are red and blue stripes along the tail boom. The FS 12250 Red stripe is 36" or 1.0285" in 1/35th scale. There is a 3" gap, 0.0857" in 1/35th scale and then the FS 15123 blue stripe. The blue stripe is 4" or 0.1142" in 1/35th scale.

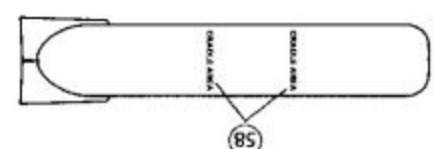
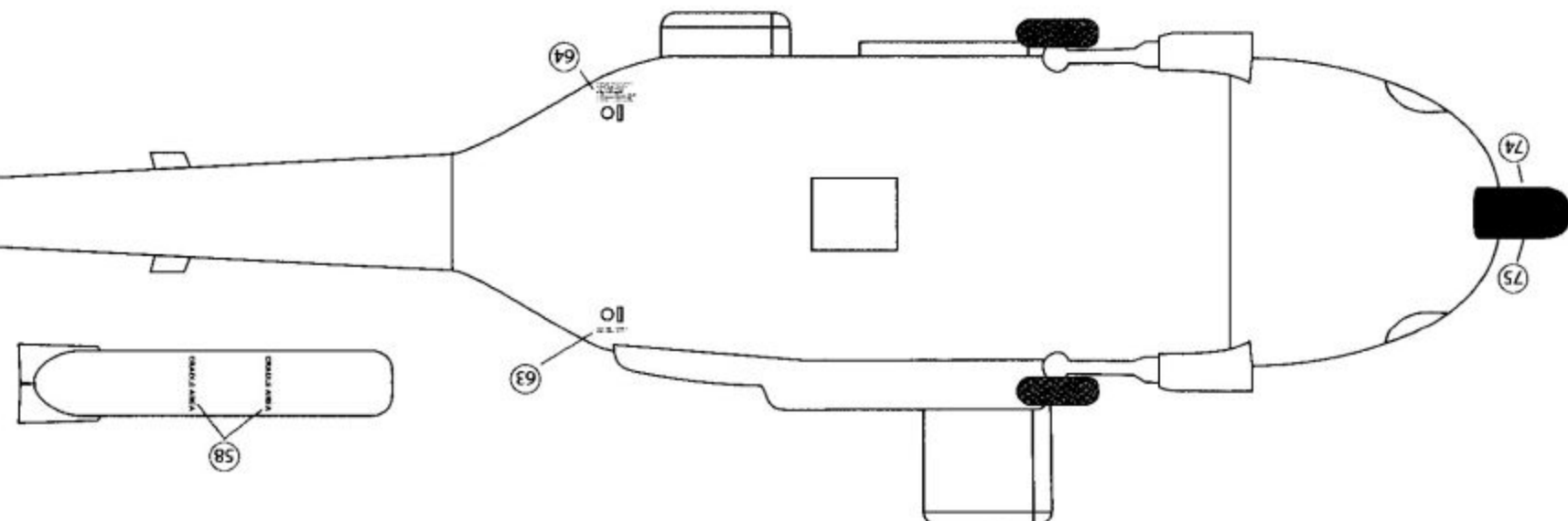
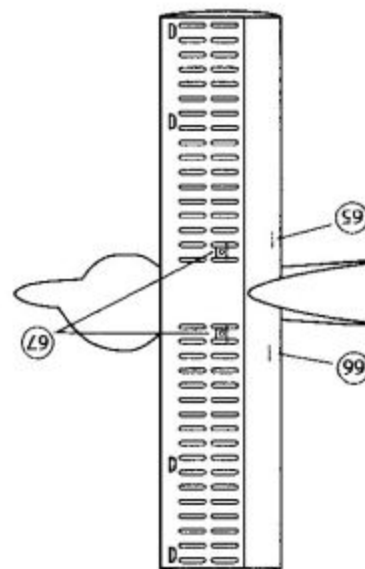
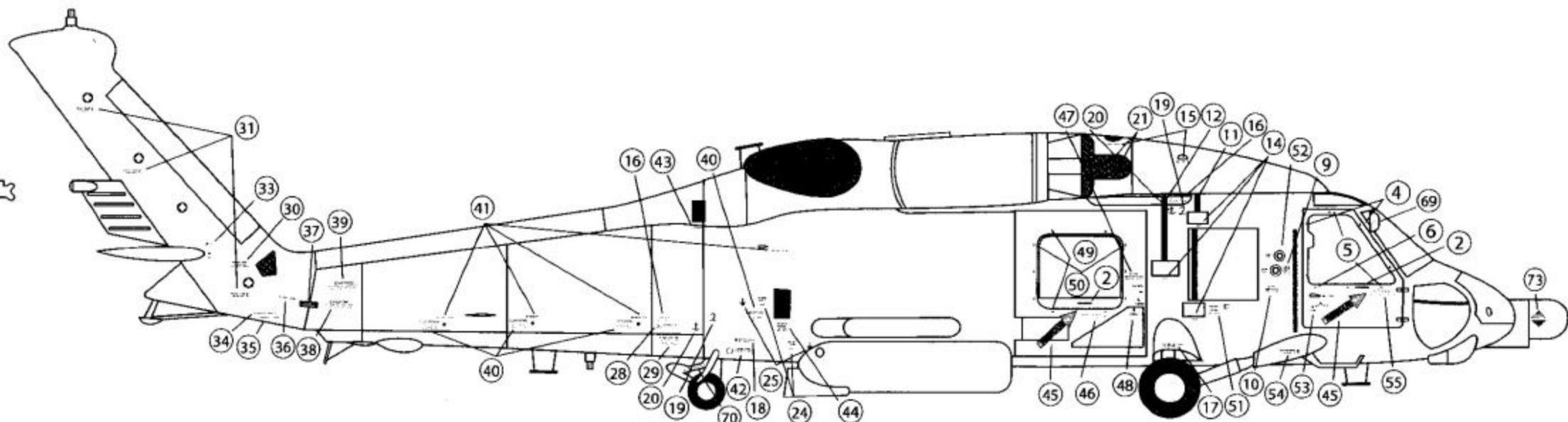
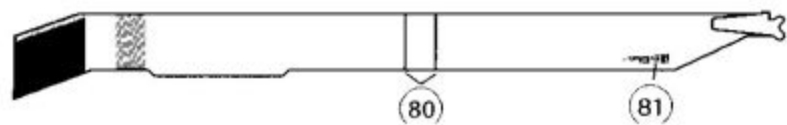


Tail Rotors have 8" FS 11136 red stripe, 0.22857" in 1/35 scale, then a 6" FS 17860 white stripe, 0.1714" in 1/35th scale and then a 8" FS 13538 yellow stripe. The rest of the blade is FS 37038.

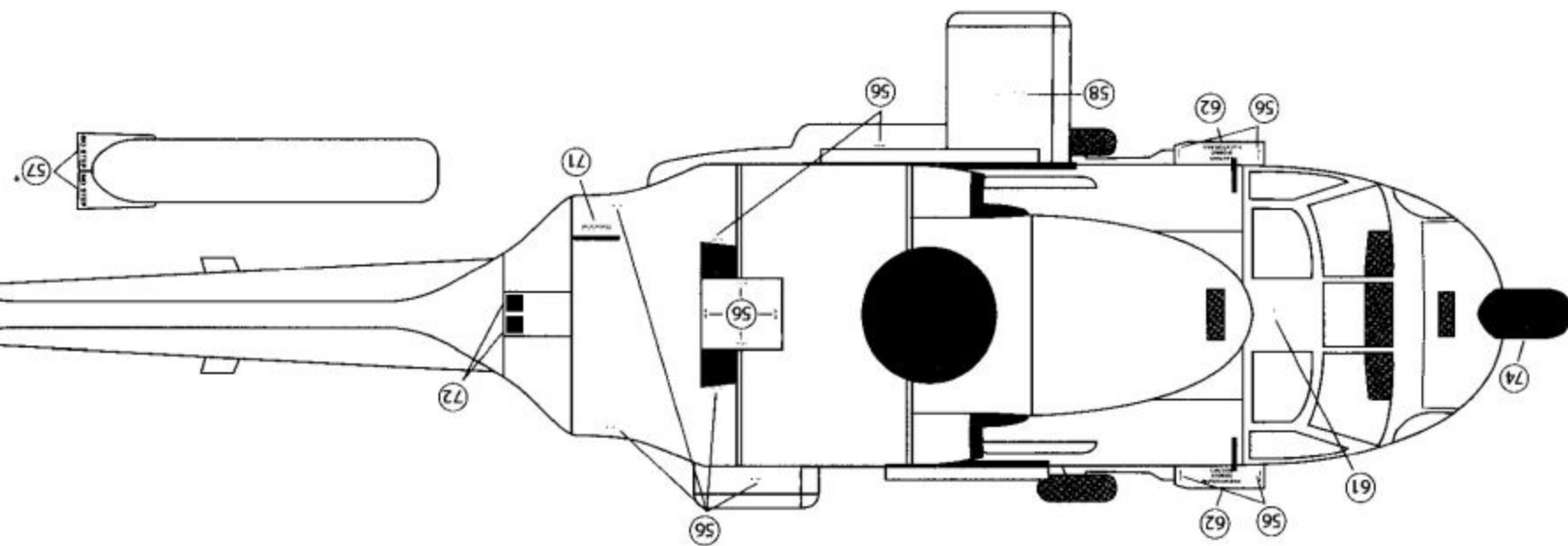
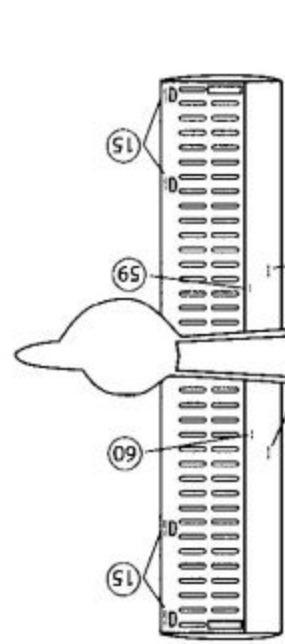
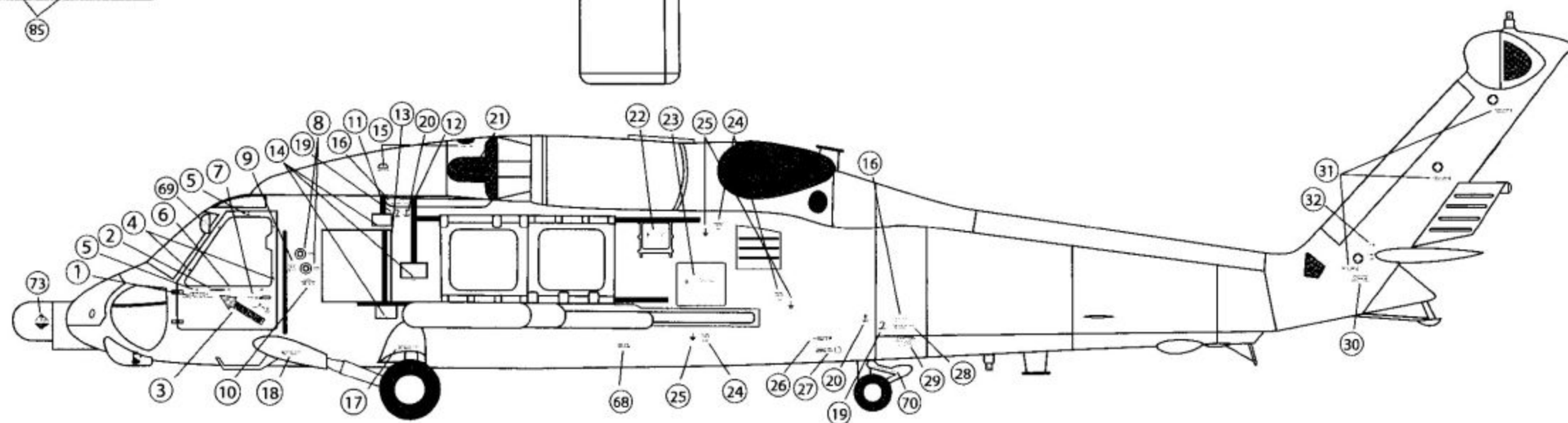
We have provided an alternative US CG marking for the belly, along with extra numbers and duty stations to allow the builder to do any of the Coast Guard H-60s. We have provided extra station badges for Traverse City, Michigan and Clearwater, Florida.



Top of main rotor blades only. There are four different decals for 81, it does not matter which blade gets which decal.



Outside of tail rotor blades. There are four different decals for 78, it does not matter which blade gets which decal.



# Jayhawk Stencils

WW35-08 □

Visit us at [www.wernerswings.com](http://www.wernerswings.com), Facebook and eBay.

These decals are designed for the Werner's Wings HH/MH-60J/T conversion set. (Stock # 35-24)