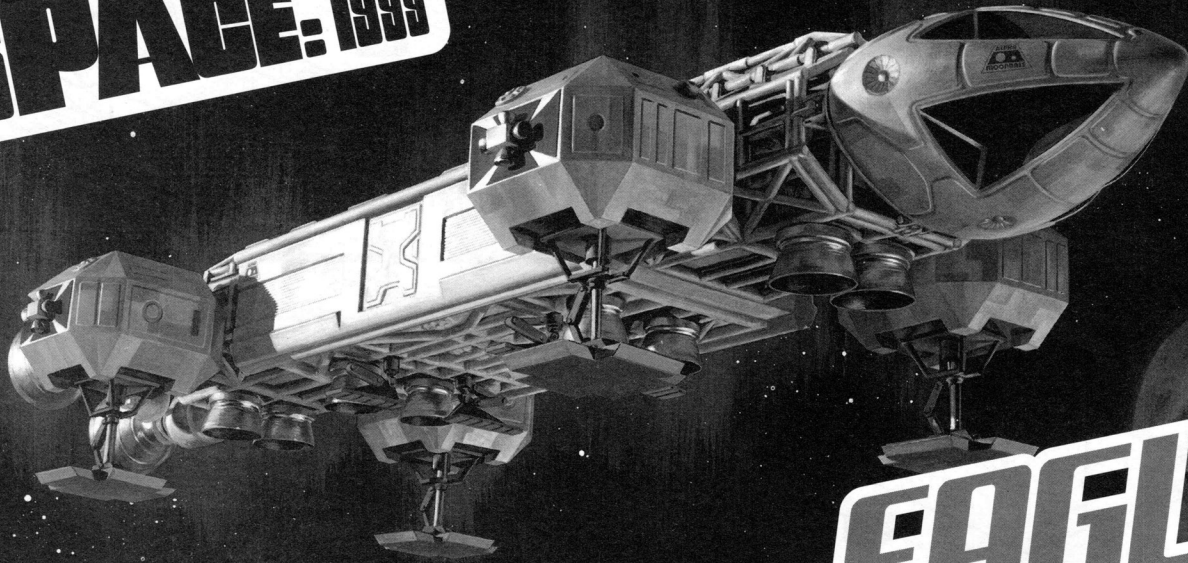


# SPACE: 1999



MPC913/12

# EAGLE TRANSPORTER

SKILL LEVEL 2  
AGES 10+  
PLASTIC MODEL KIT  
GLUE REQUIRED

**mpc**

This highly detailed kit features precision-tooled parts for ease of assembly, but care and patience must be exercised to achieve optimal results. It is recommended that the builder examine the instructions carefully and do a dry test fit of parts before applying liquid cement. You will find this very helpful, as it will allow you to gain a clear understanding of how the parts fit together in order to best plan painting and final assembly.

This kit should be built in sub-assemblies which will make assembly more manageable. It is very important to note that it is extremely advantageous to apply paint and decals to sub-assemblies before completing final assembly. Review photos shown on box tray for guidance.

#### DECAL APPLICATION:

1. Cut the desired decal from the sheet.
2. Dry fit the trimmed decal to become familiar with its correct placement.
3. Dip the decal in lukewarm water for 20-30 seconds. For best results, mix one drop of common dish washing detergent to the water.

4. Place the wet decal on paper towel and wait 30-60 seconds until the decal is movable on paper backing.

5. Wet the area of the model the decals will be applied to.

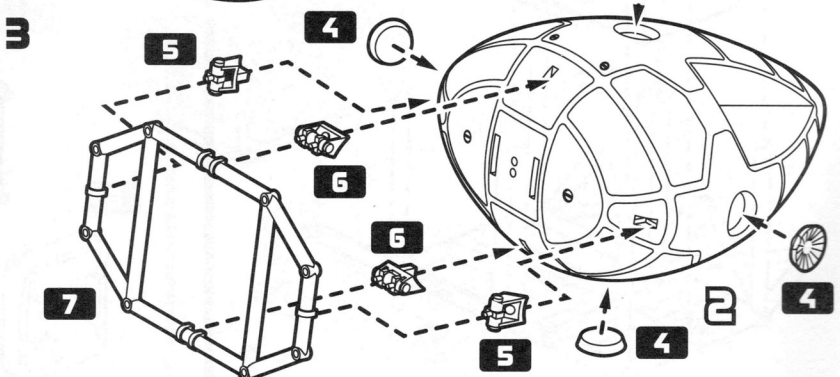
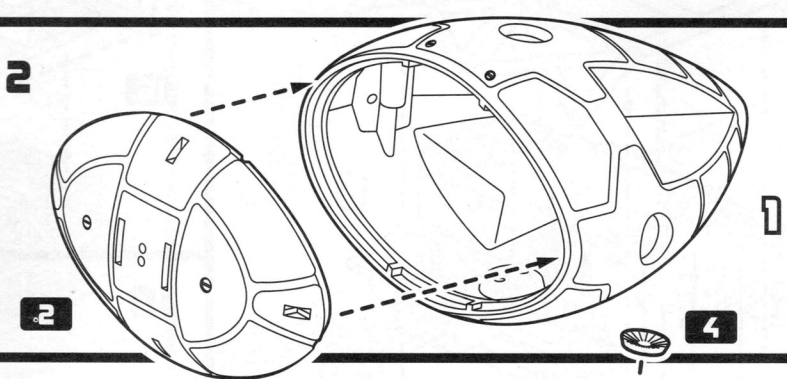
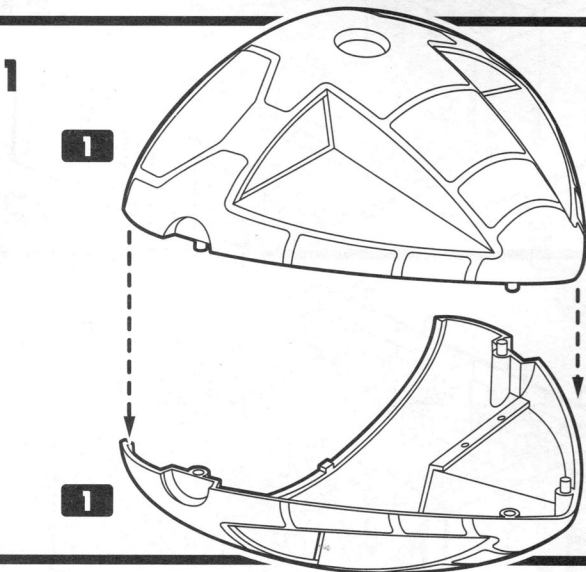
6. Hold the decal face up, in position on model and slide backing away from under it.

7. Once positioned correctly, absorb excess water with a paper towel. Starting in the center of the decal, blot out air bubbles toward the edges with a soft damp cloth.

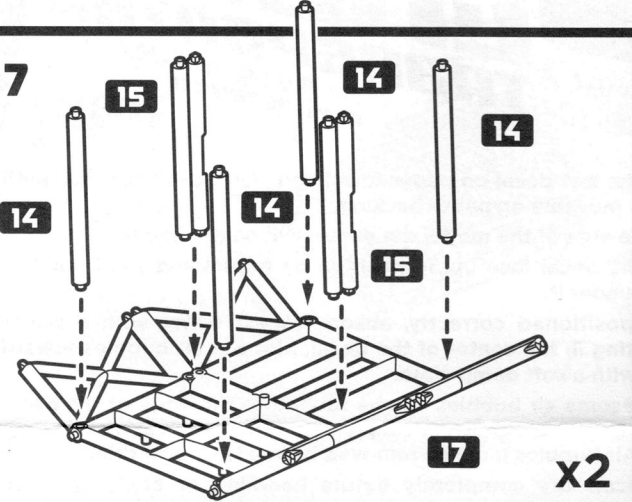
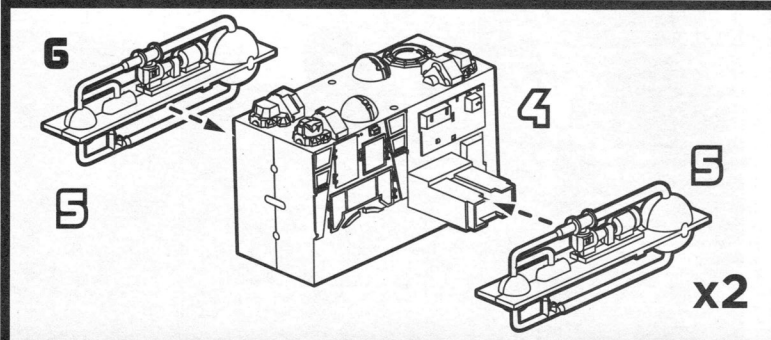
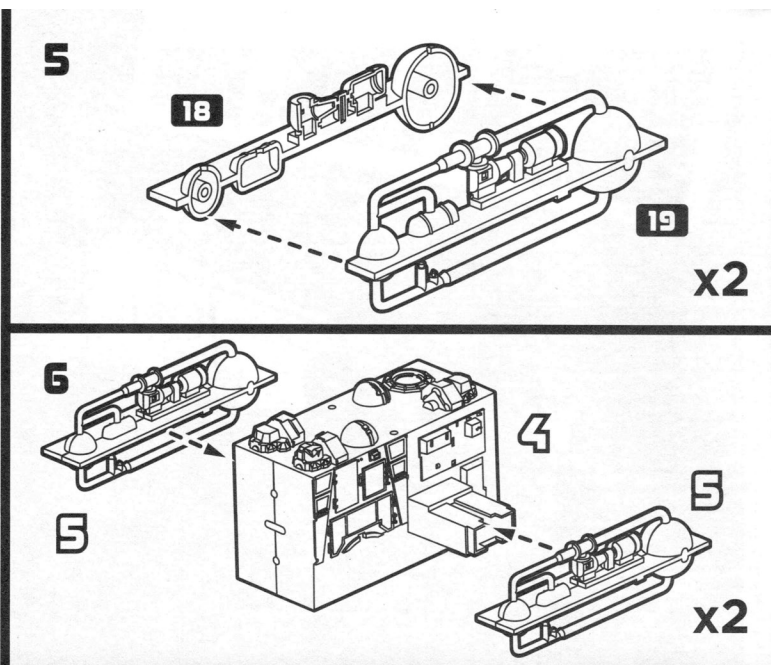
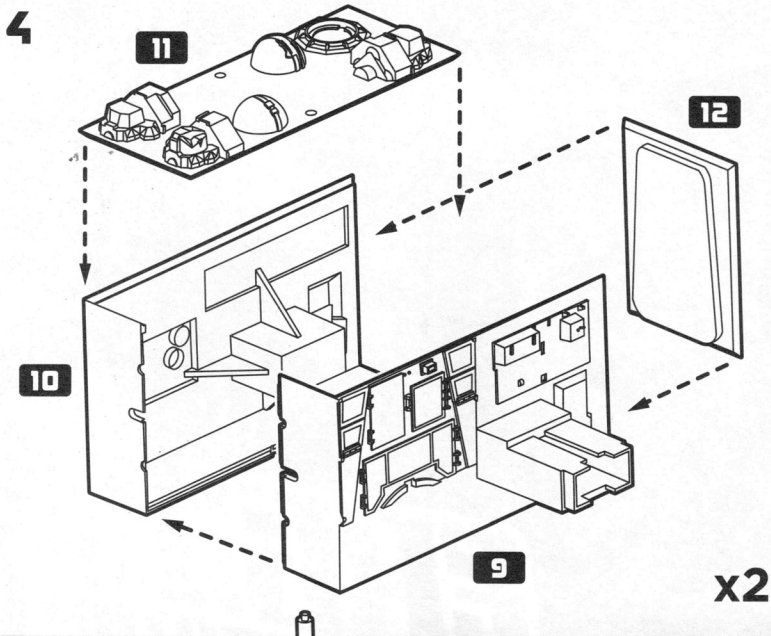
8. Troublesome air bubbles can be rubbed to the edge of the decal with a clean, soft paintbrush or simply puncture the decal with a sharp #11 blade. Air bubbles must be removed before the decal dries.

9. Let decals dry completely before handling or applying more decals next to or on top of previous work. It is best not to use heat to accelerate drying times as this may crack the decals, affect their adhesive or melt plastic parts!

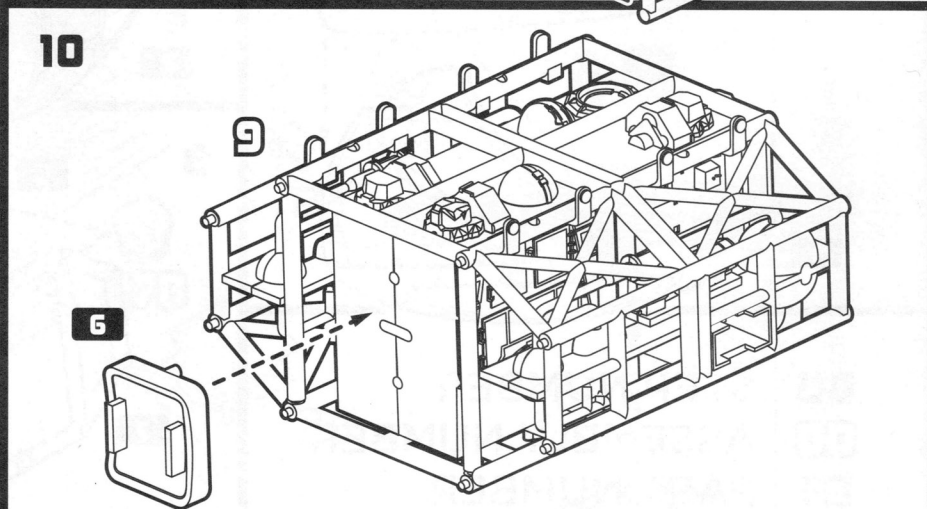
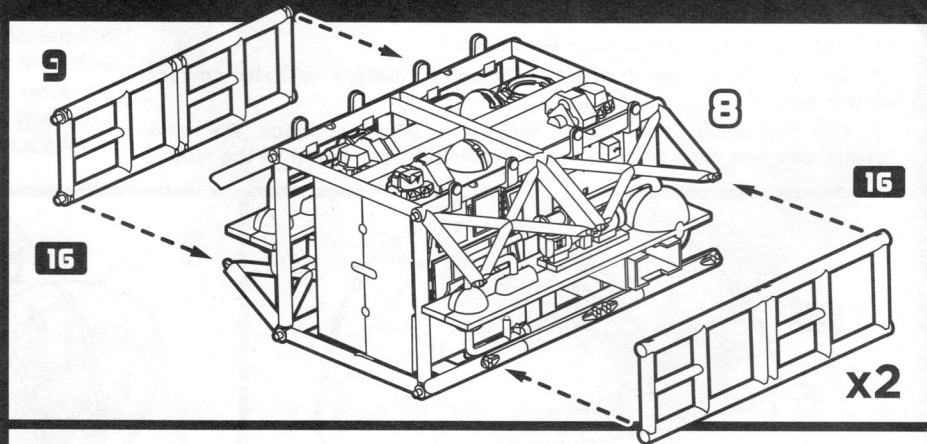
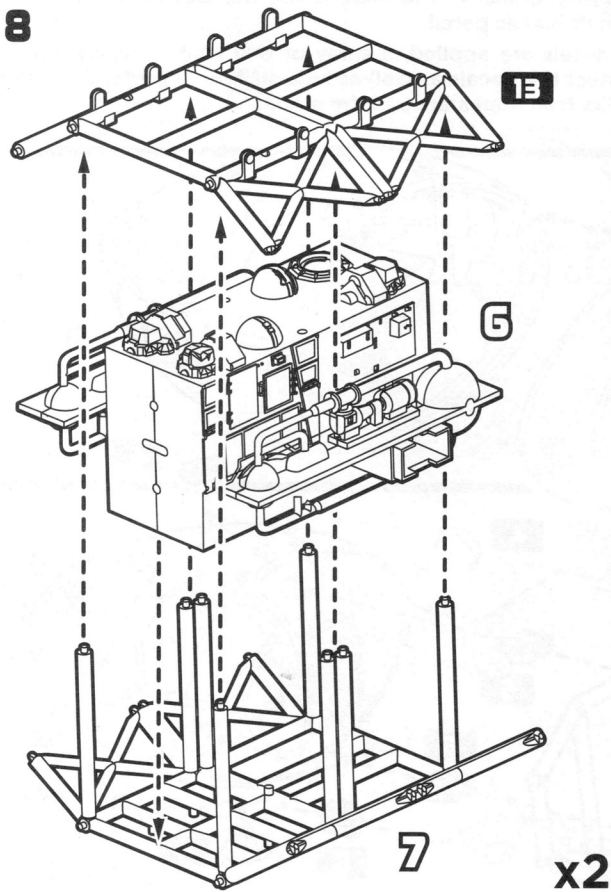
10. After all decals are applied, a spray of dull coat is suggested to bury and protect the decals as well as hide surface imperfections and supply a lifelike final appearance to the model.

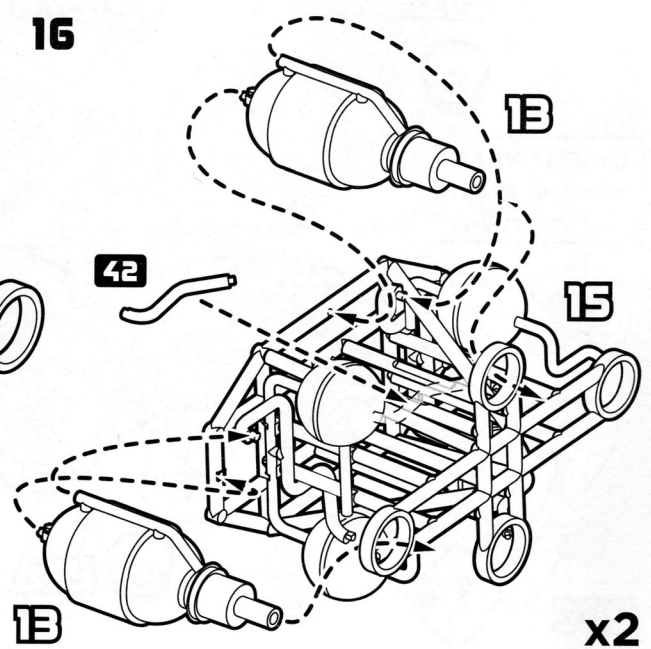
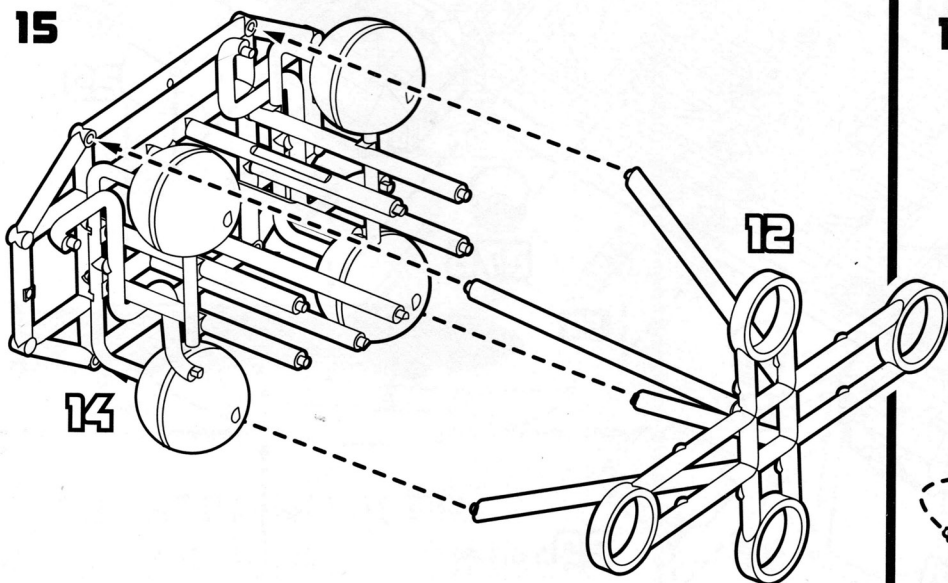
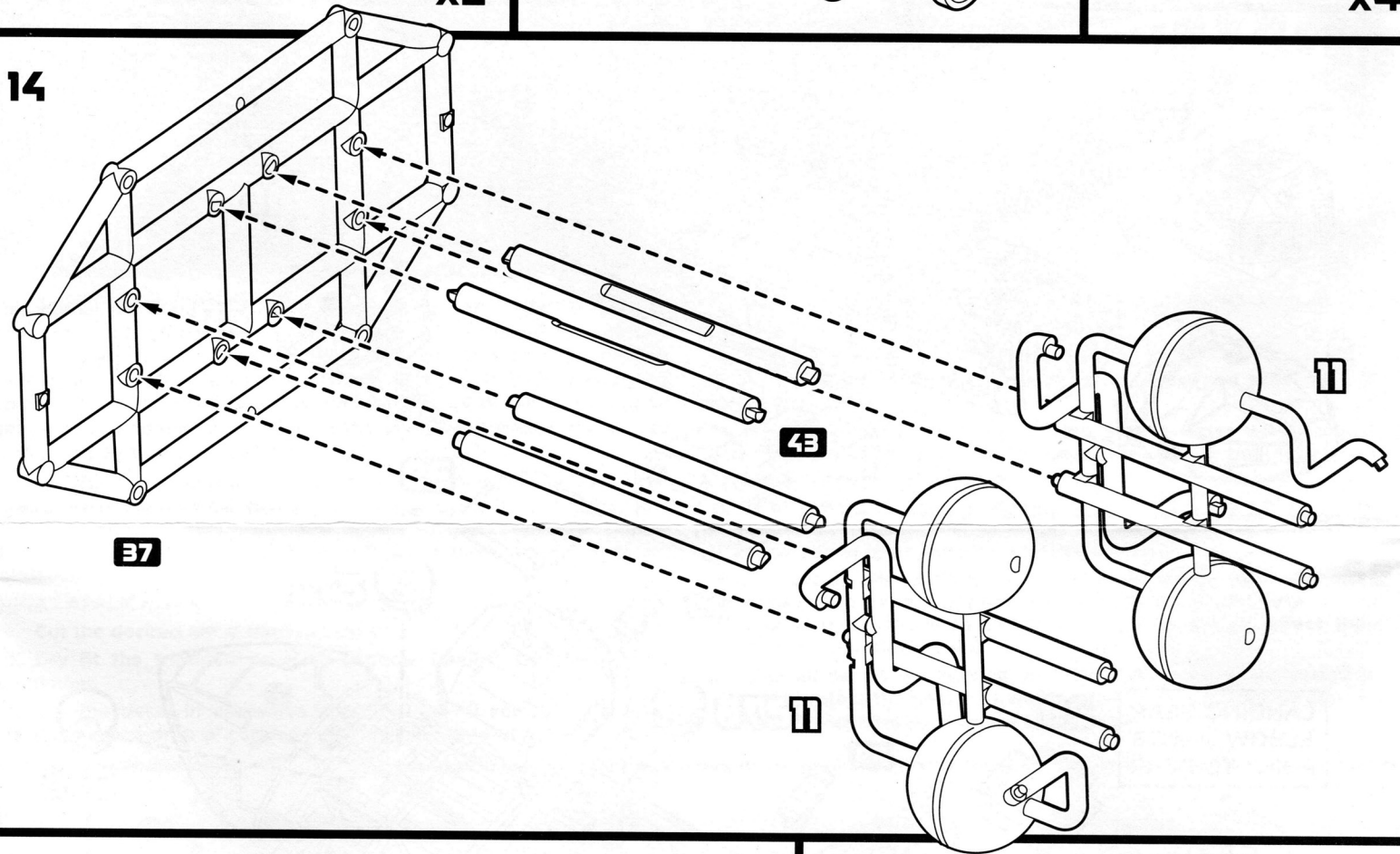
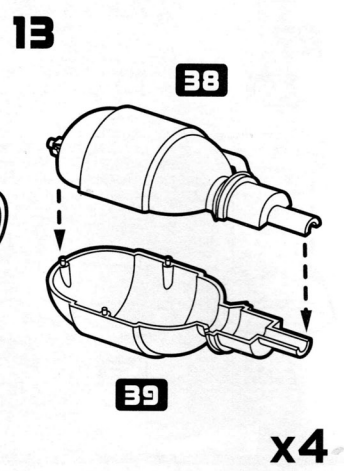
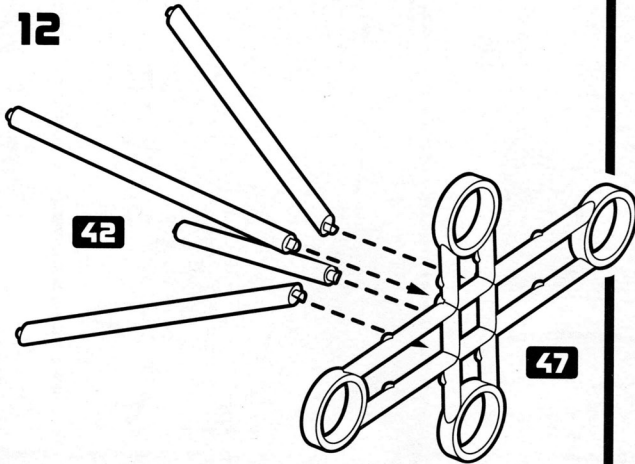
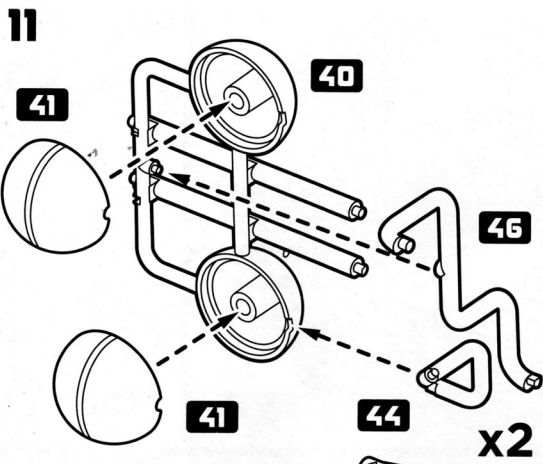


**00** | STEP NUMBER  
**00** | ASSEMBLY NUMBER  
**00** | PART NUMBER

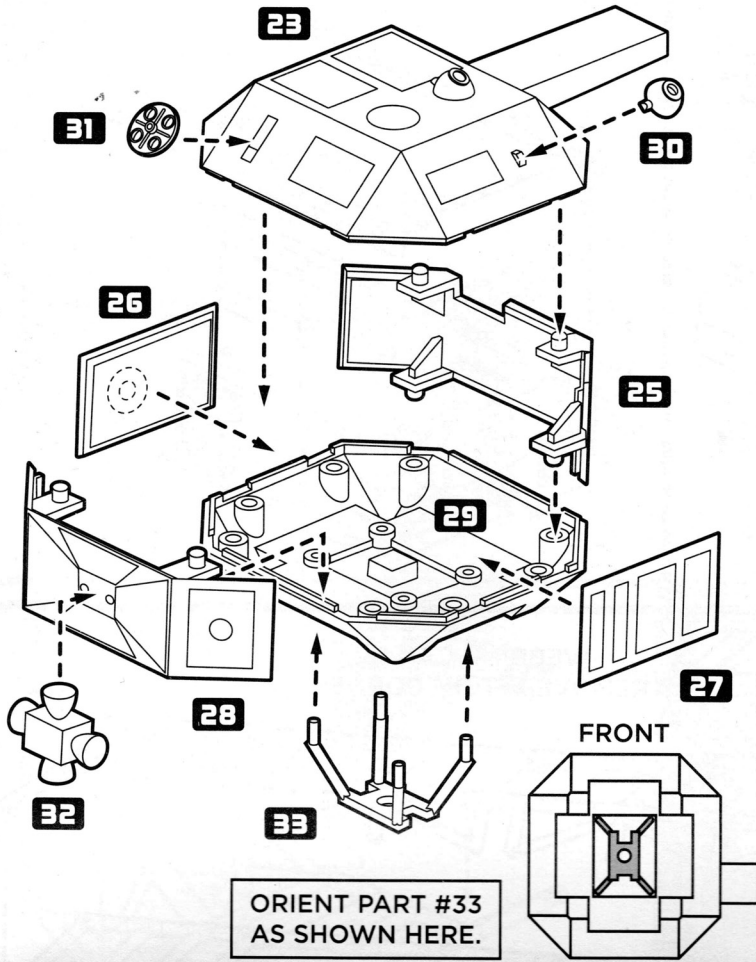


LOOK FOR ALL OF THE EXCITING SPACE:1999 MODEL KITS AVAILABLE FROM

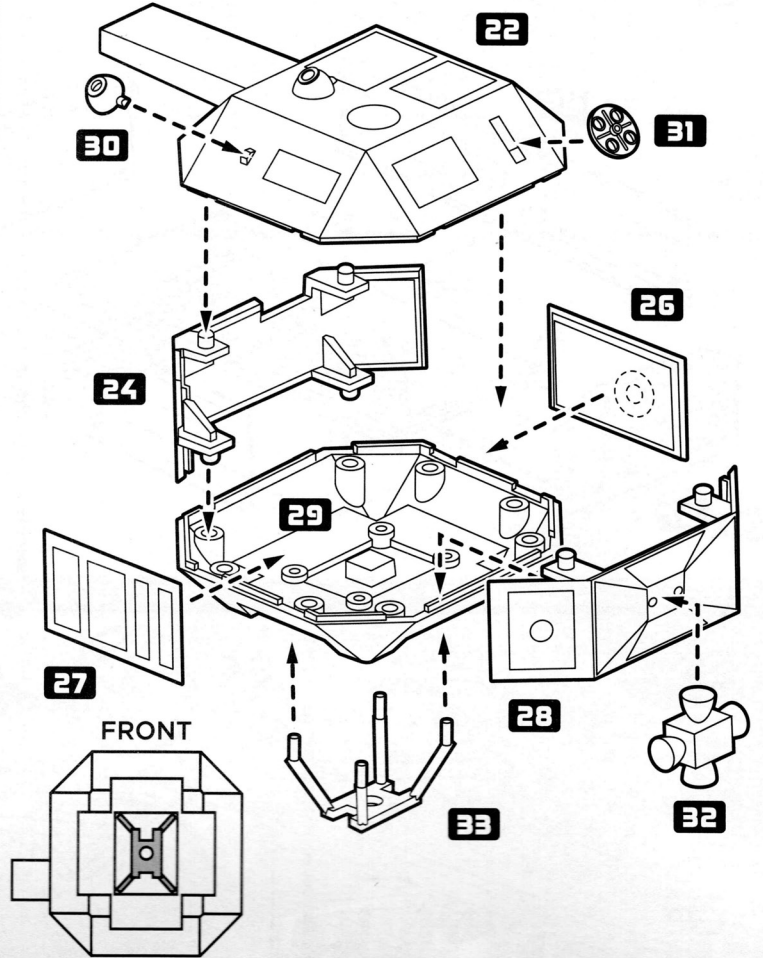




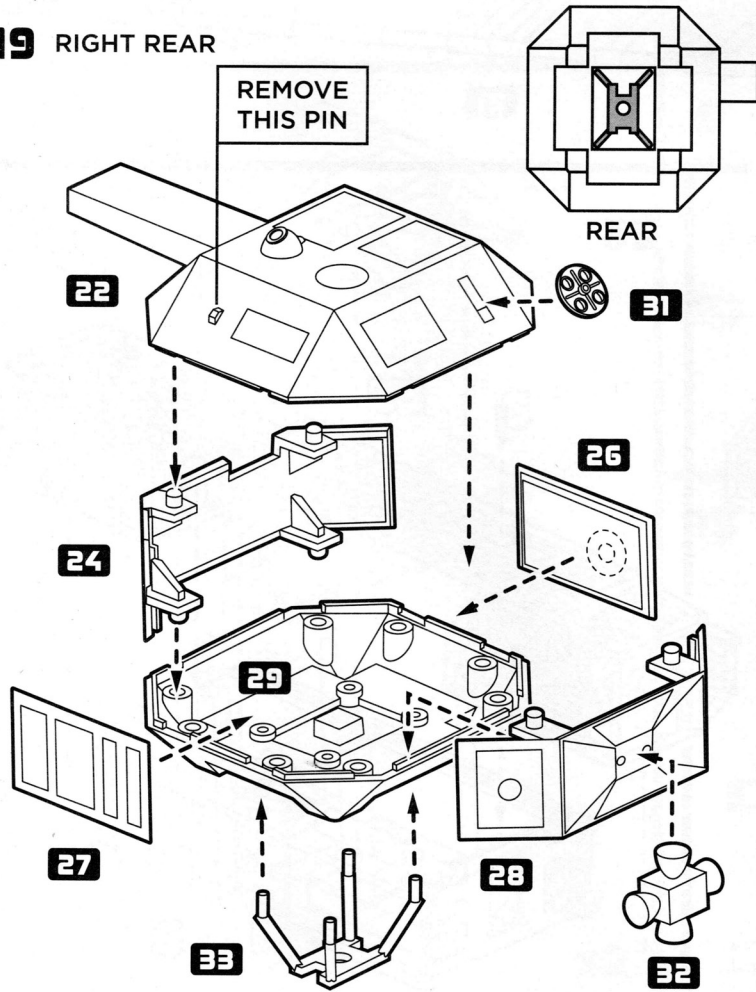
**17** RIGHT FRONT



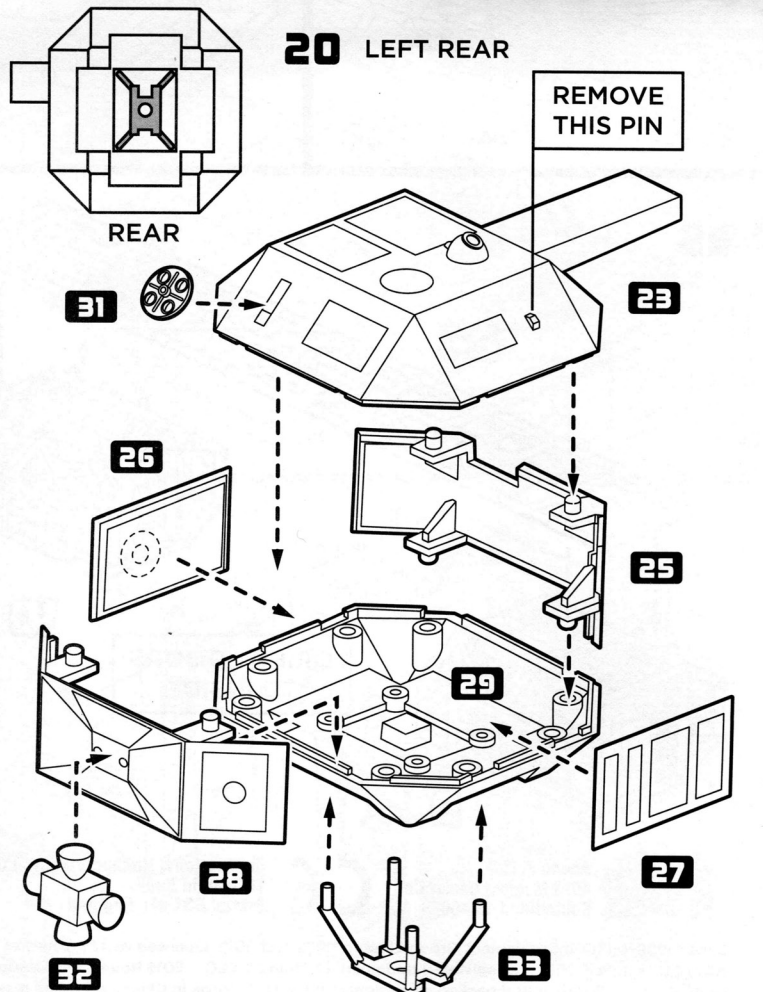
**18** LEFT FRONT



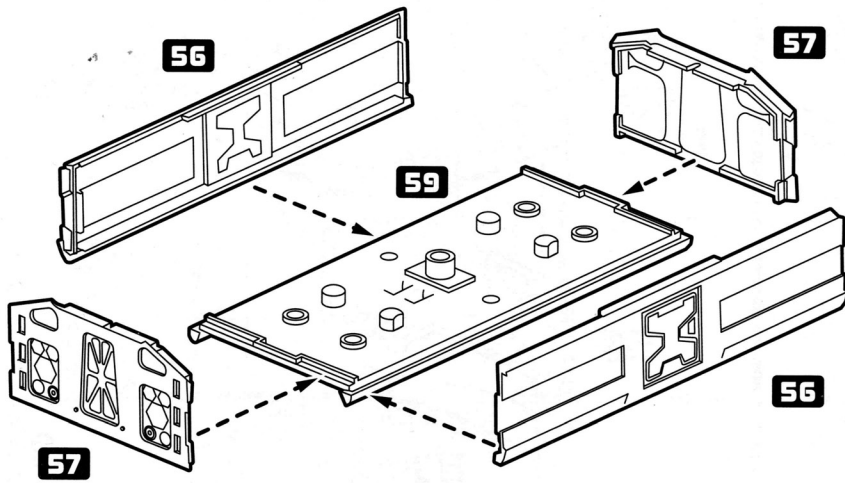
**19** RIGHT REAR



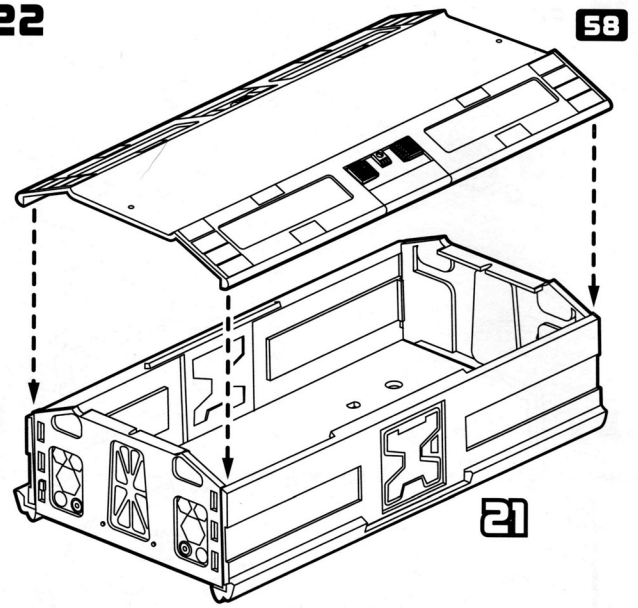
**20** LEFT REAR



21



22



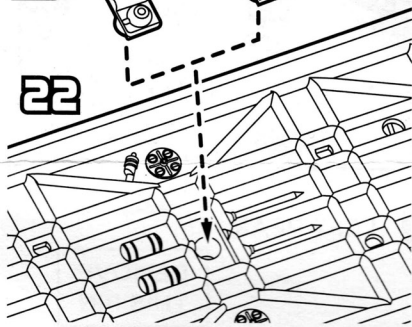
23

FLYING  
(USE WITH  
DISPLAY BASE)

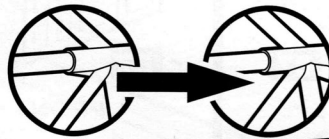
LANDED

62 B

62 A

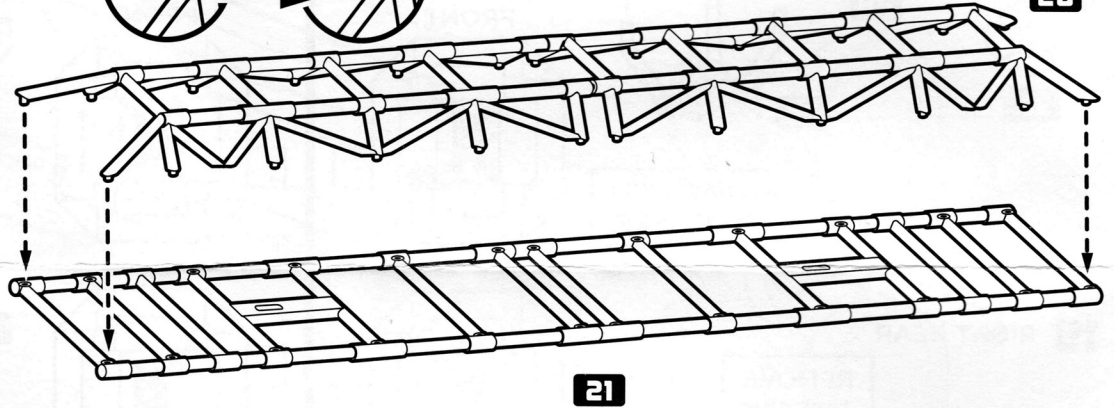


24

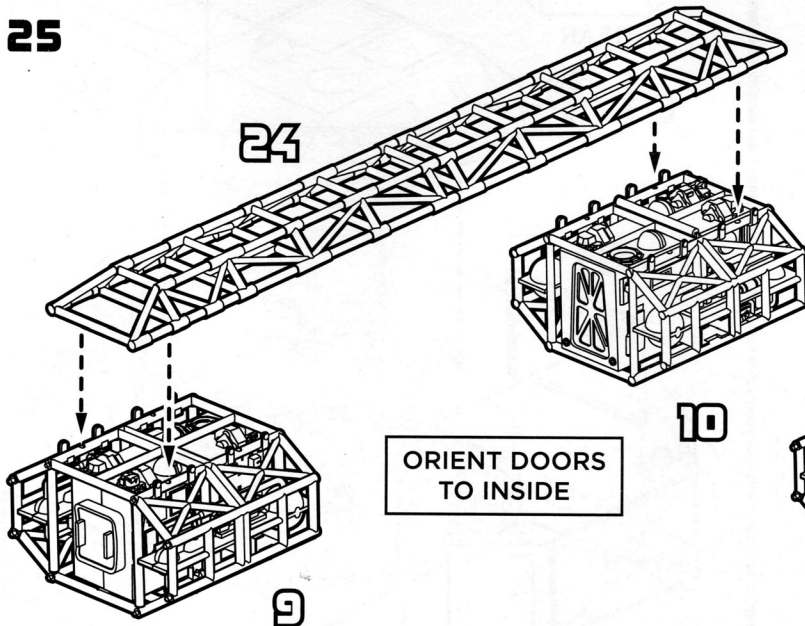


WEBBING CAN BE  
REMOVED FROM CORNERS.

20

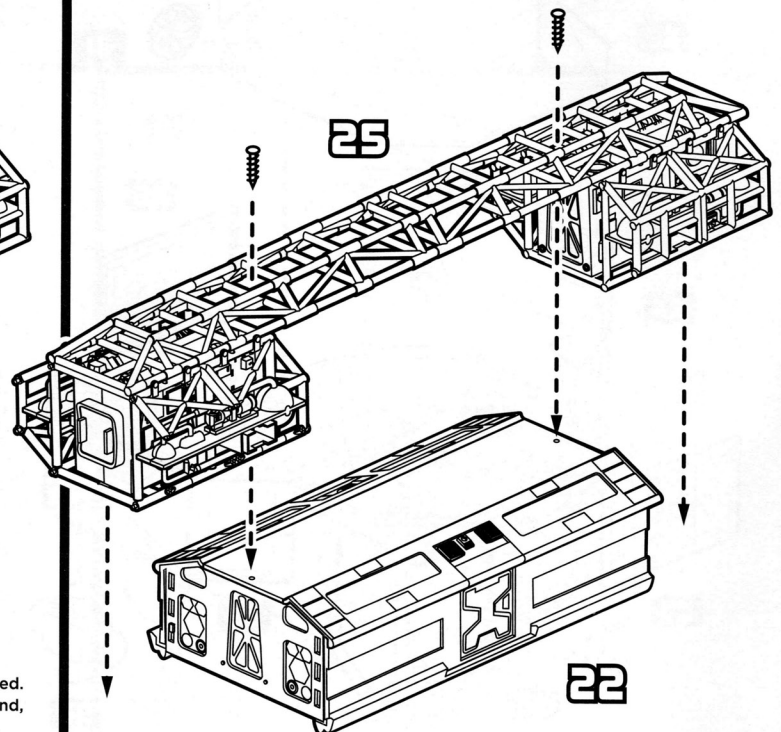


25



ORIENT DOORS  
TO INSIDE

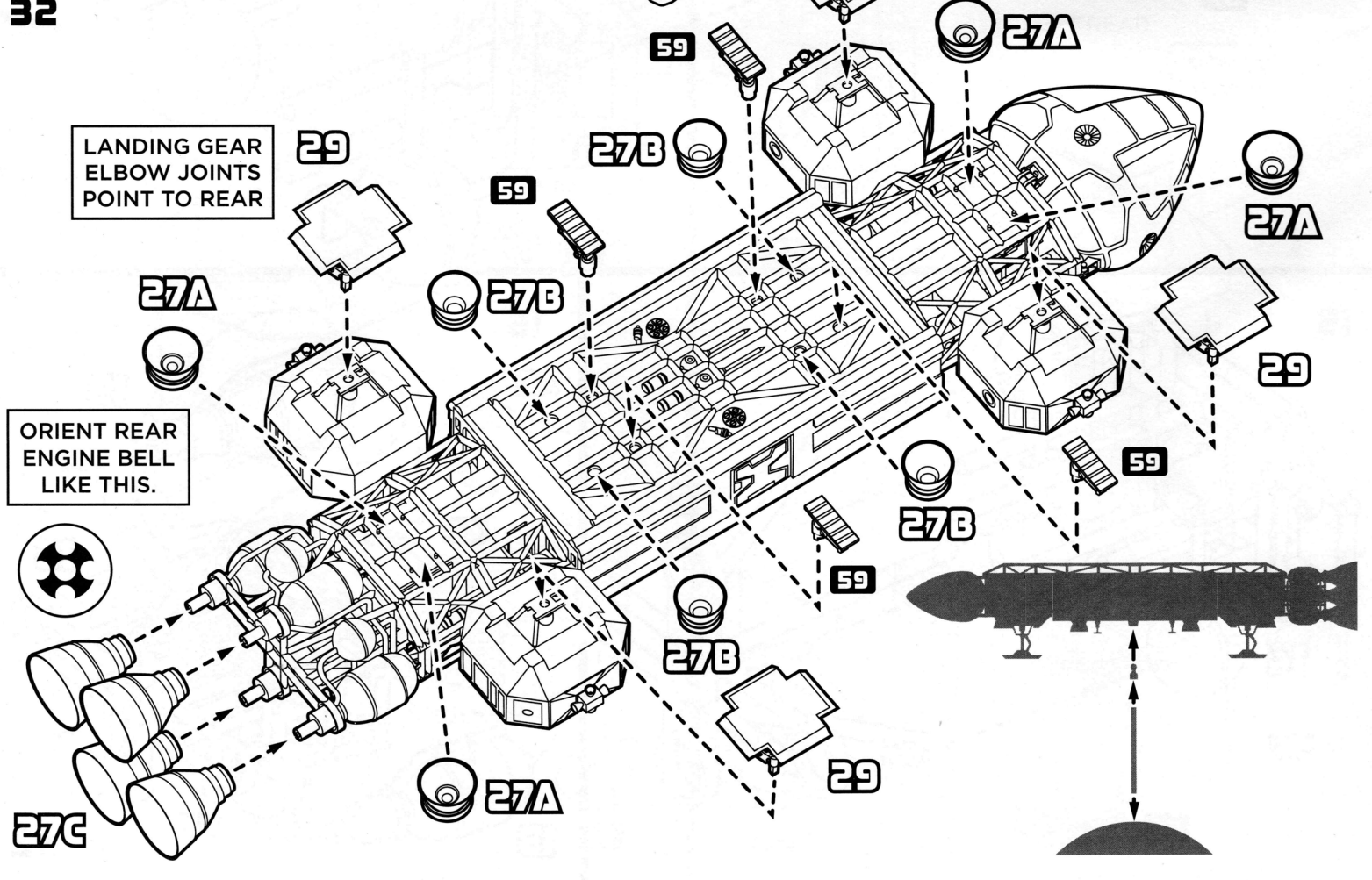
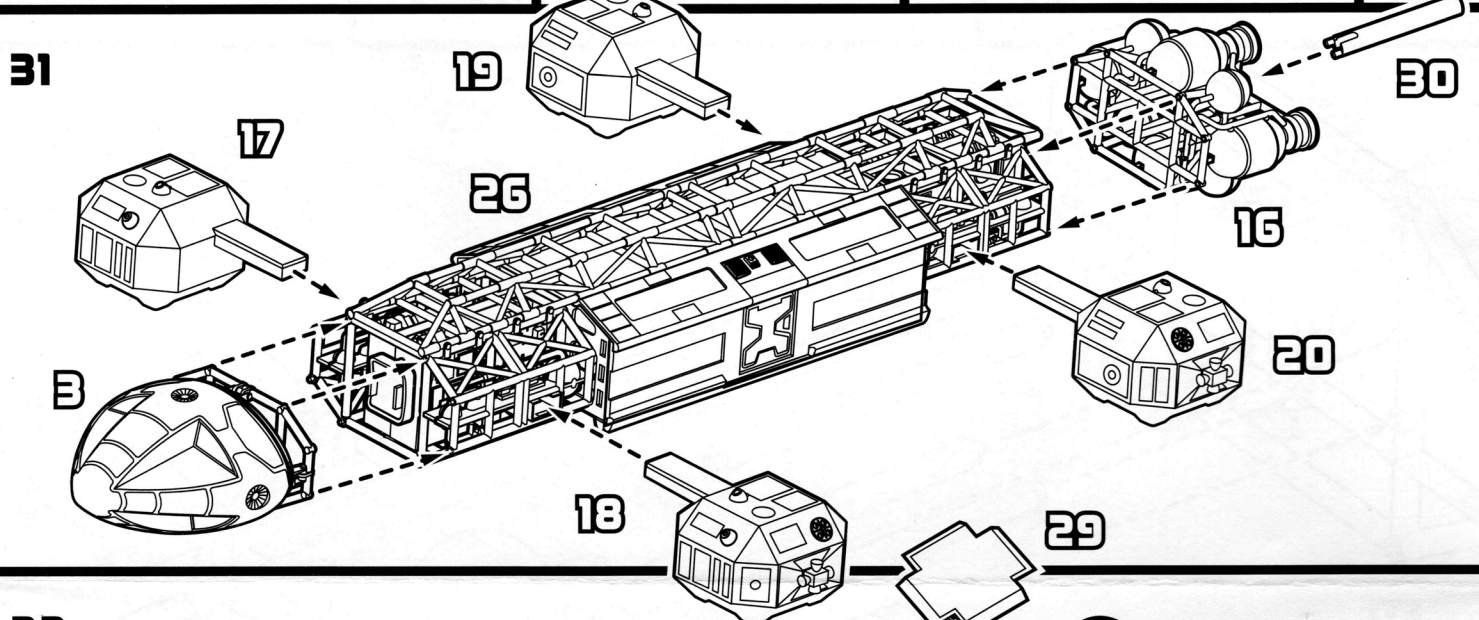
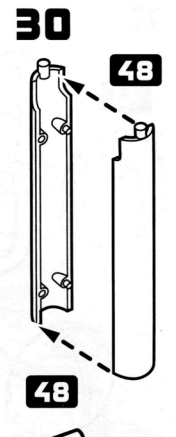
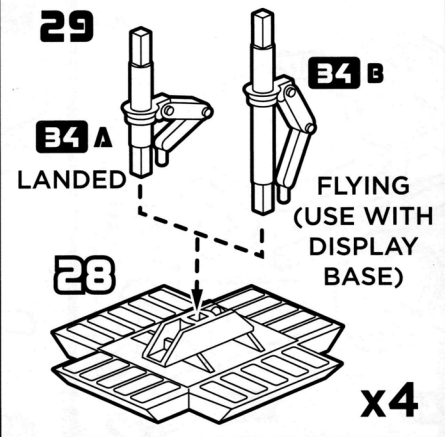
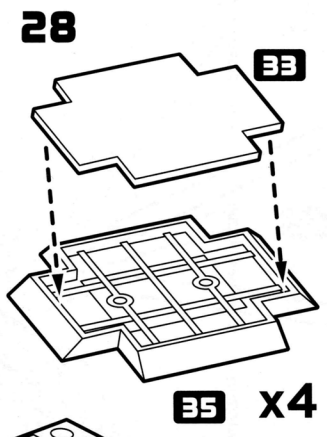
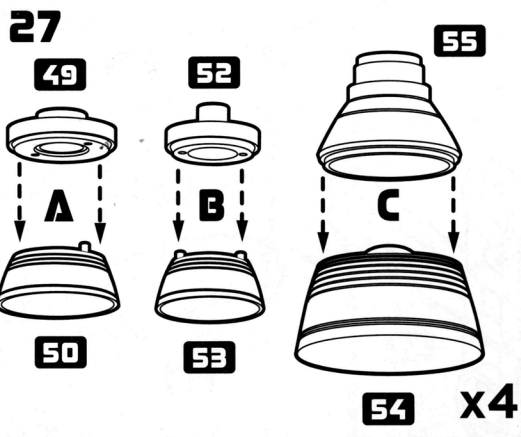
26



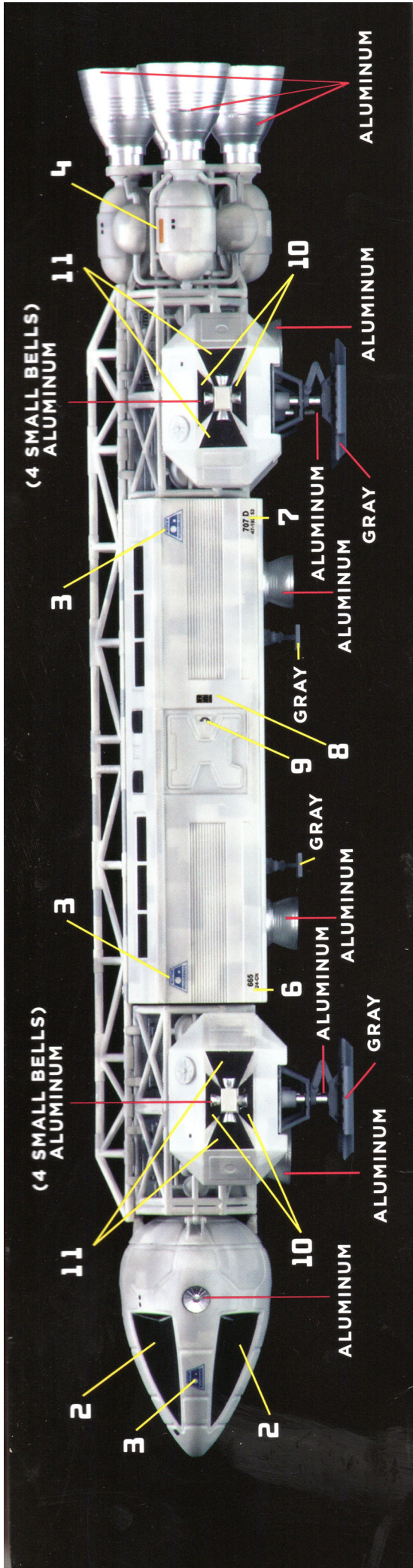
Round 2, LLC  
4073 Meghan Beeler Ct.  
South Bend, IN 46628



International Hobbycraft (UK) Ltd  
10 Temple Back  
Bristol BS1 6FL England







The included Moonbase Alpha crest variants reflect those used to dress the filming miniatures.

