

No. NW006

1/144 scale

Space Shuttle Cargo Bay Upgrade

<http://mek.kosmo.cz/newware/>

tom.nwkits@seznam.cz

Important:

This set is intended to use together with 1/144 Discovery Space Shuttle(#4544) or other 1/144 Space Shuttle kit by Revell.

For modellers 10 and over.

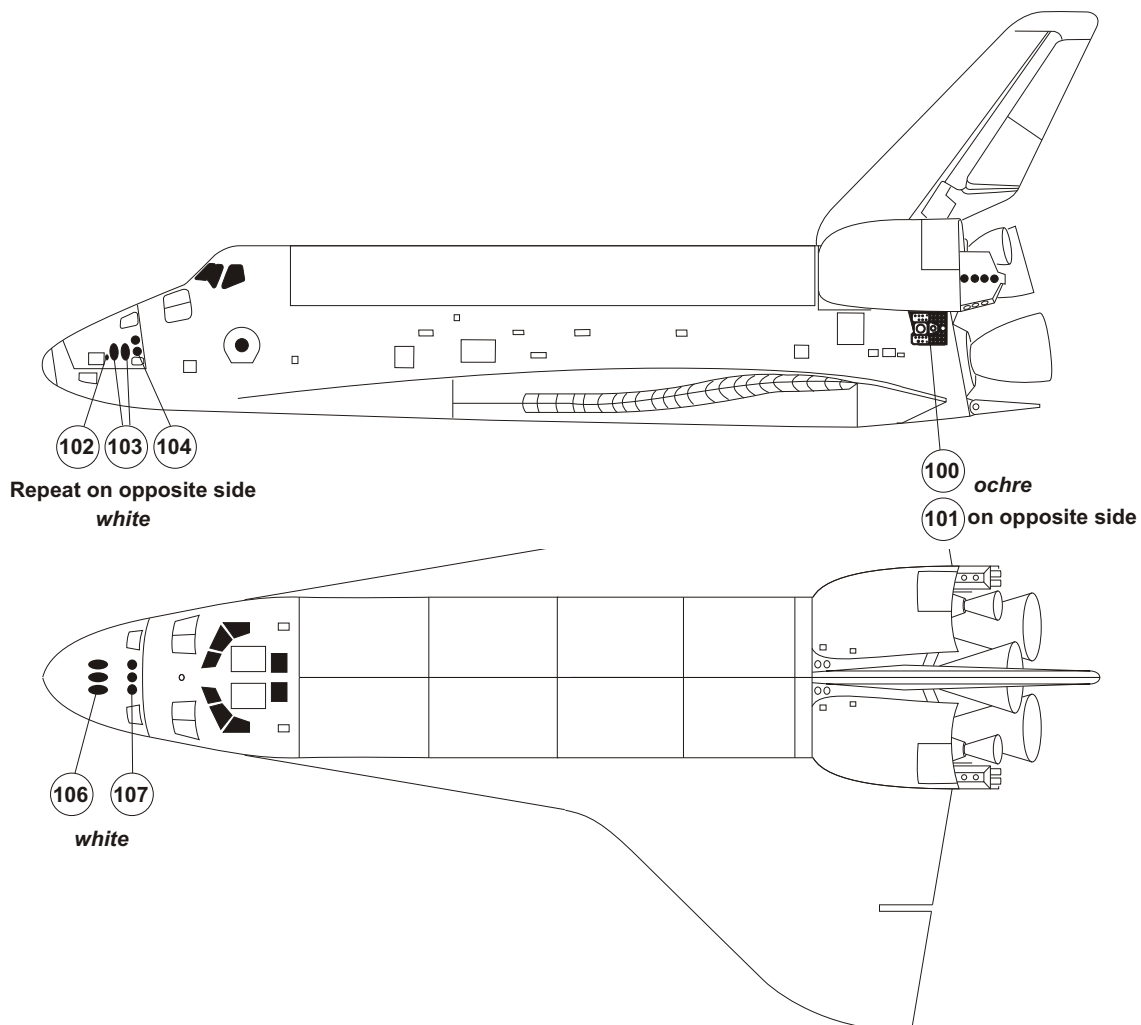
Use cyanoacrylate glue and (or) Revell Contacta Liquid Special (cat. no. 39606) glue.

Kit contains parts for 2 models:

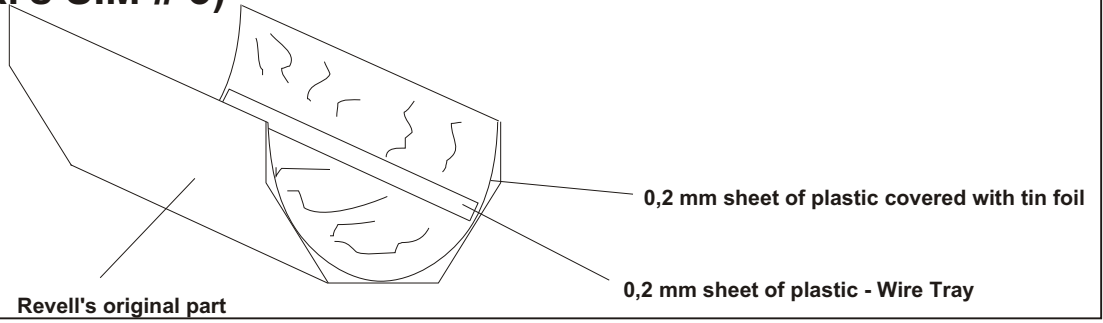
- 1- Space Shuttle with Boosters
- 2- Space Shuttle on orbit with opened cargo bay

There are some extra parts.

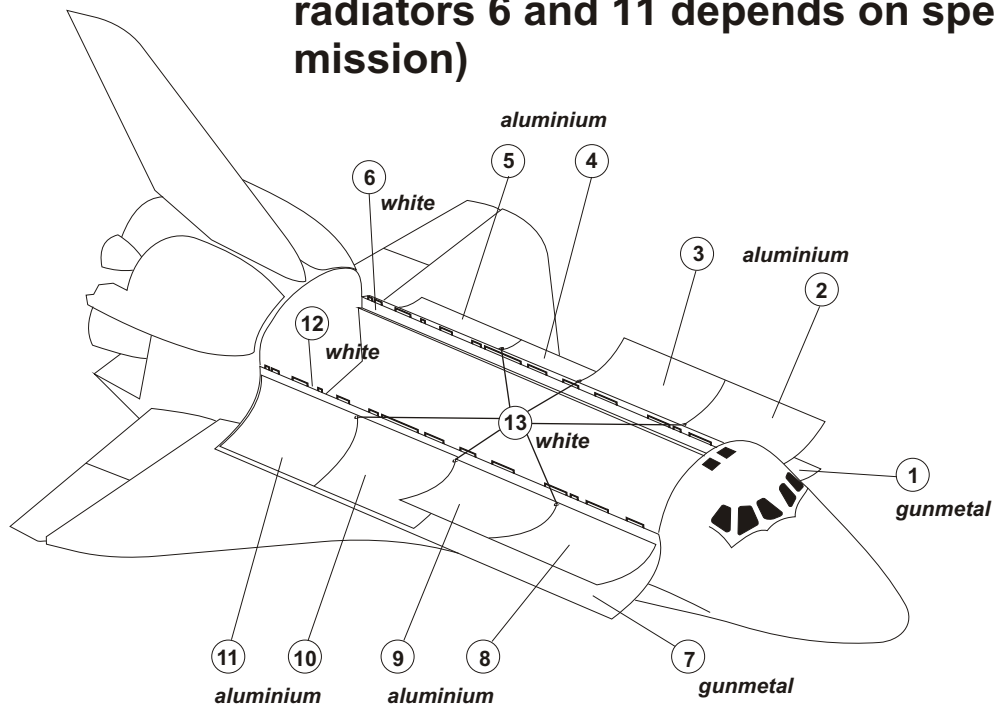
1 Space Shuttle Umbilical Connector and RCS Covers (RCS covers use only when building launch configuration)



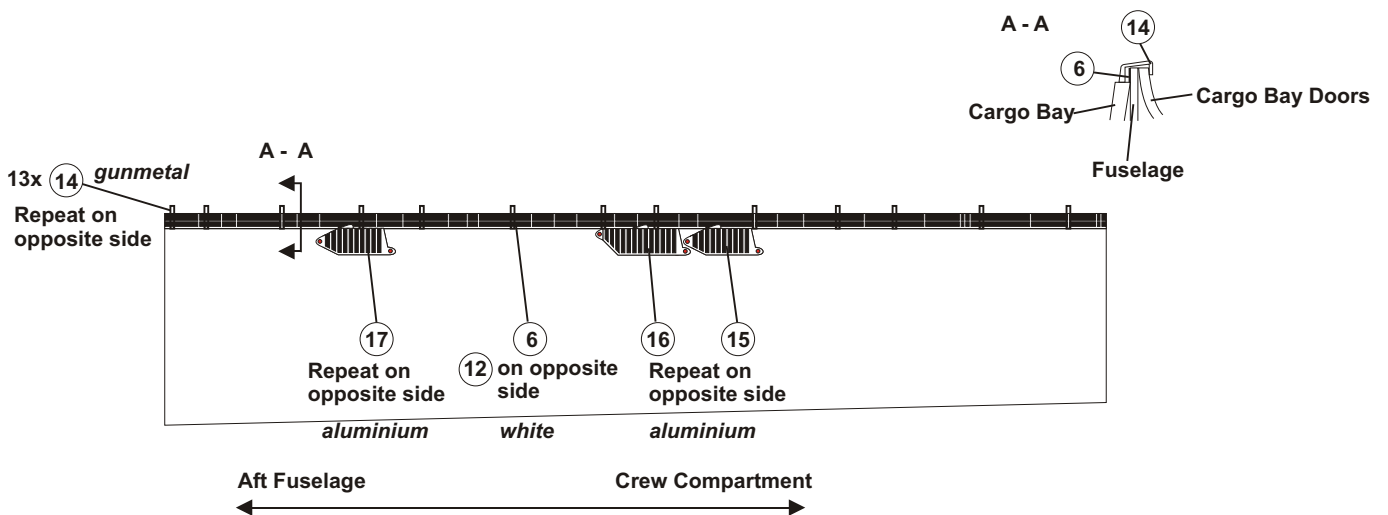
2 Modify Revell's Cargo Bay (all white; also refer to Mike J. Mackowski's SIM # 3)



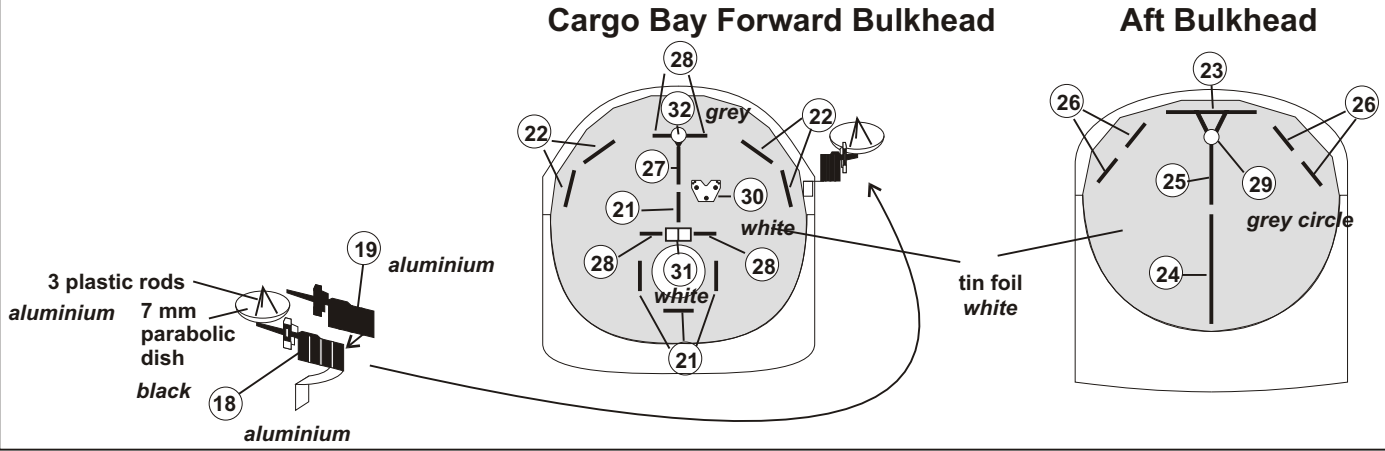
3 Cargo Bay Doors (all handrails are yellow, installation of radiators 6 and 11 depends on specific mission)



4 Bridge Fittings and Door Actuators



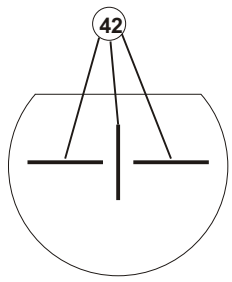
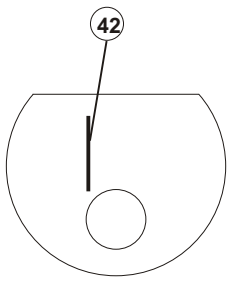
5 Space Shuttle Cargo Bay Bulkheads(all handrails are yellow; refer to Mike J. Mackowski's SIM # 3)



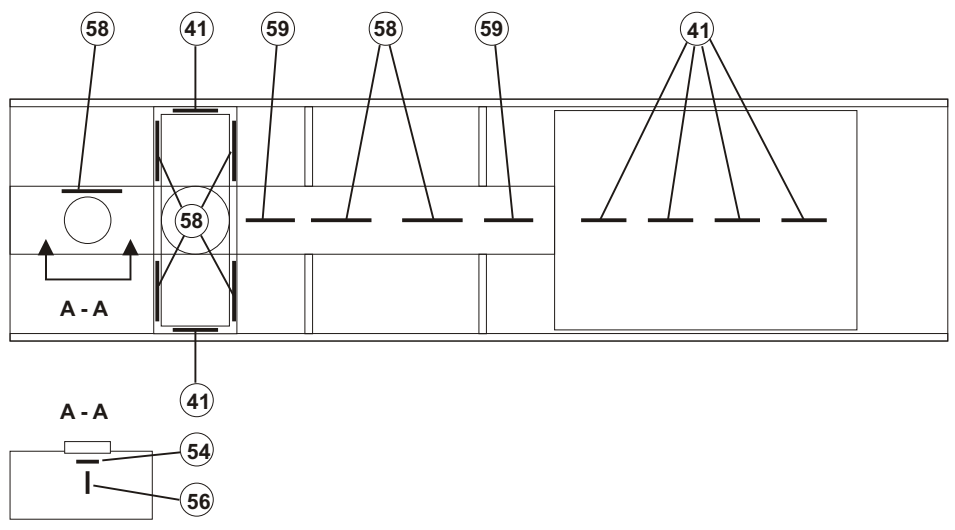
6 Habitat Module (all handrails are yellow)

Habitat Module Forward Bulkhead

Habitat Module Aft Bulkhead



Habitat Module Plan View



7 Spacelab(all handrails are yellow; refer to Mike J. Mackowski's SIM # 3)

