

# T1E3 U.S. ARMY Mine Exploder

PIG MODELS  
ITEM: 35-005  
1/35

Landmines are cost-effective defensive weapons, given their low production and deployment costs. They effectively impede enemy advances, inflicting additional casualties and psychological pressure. During World War II, the German army strategically laid numerous minefields along the Western Front to impede the advancement of Allied forces. In response, the Allies developed various mechanized demining devices, such as chain flails, steel pole-mounted hammers, explosive charges, bulldozers for excavation, and rollers for detonation by pressure, all mounted on tanks. These innovations aimed to enhance demining efficiency and minimize personnel casualties amidst the challenging warfare landscape.

The T1E3 is a demining device utilizing rollers as its primary method. Its main body consists of ten metal discs with a diameter of 244cm, a thickness of 7cm, and weighing 2 tons. These discs are arranged in groups of five each, fixed on the left front and right front sides of the M4 tank. The tank's power propels the roller forward, with its weight sufficient to trigger any mines in its path. By December 1944, a total of two hundred sets of T1E3 were manufactured, all deployed on the European battlefield. Based on feedback from field usage, two improved models were developed: one featuring a serrated leading edge on the roller, known as the T1E5 test model, and another model with a reduced roller diameter of 183cm and a serrated front edge, designated as the T1E5.

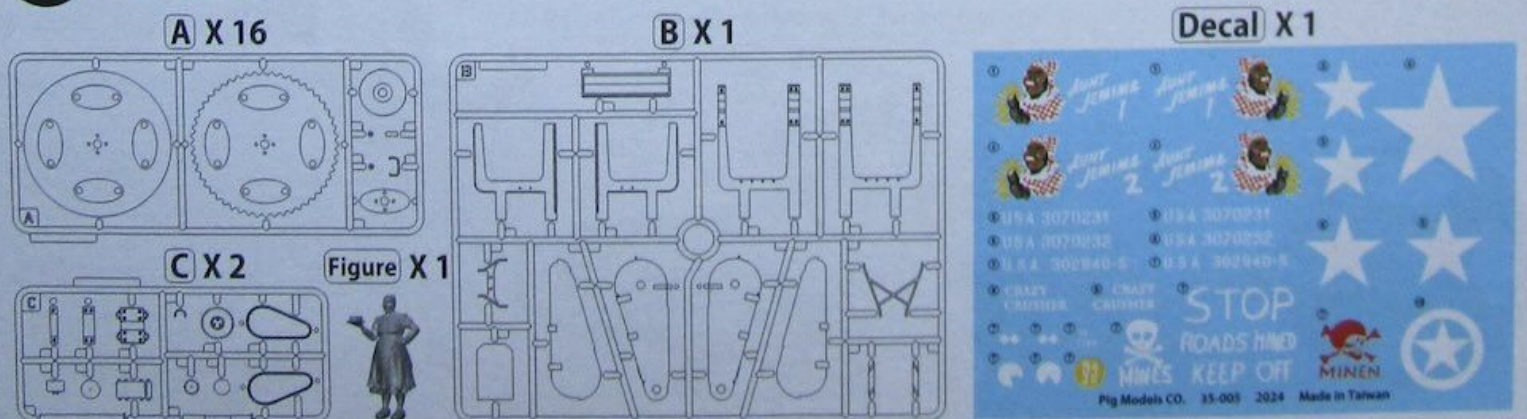
Technically, the T1E3 was an emergency device developed by the US military specifically for the European battlefields of World War II. However, with the entire set weighing as much as 26.76 tons and its considerable size, its mobility and effectiveness were severely limited. Consequently, it did not persist in the post-war arsenal listings.

地雷是一種低成本高效率的防禦性武器，因為地雷的生產和佈設成本低廉，但卻能有效遲滯對方的進攻，同時造成額外的傷亡與心理壓力。二次大戰時，德軍也設置了許多地雷陣地來遲滯盟軍的進攻，盟軍對應這樣的狀況，除了以人工的方式進行排雷之外，也發展出鍊條槌擊、鋼柱槌擊、火藥引爆、推土剷除和輾壓引爆這幾種附掛在戰車上的機械排雷設備，期望能提升排雷效率並降低人員傷亡。

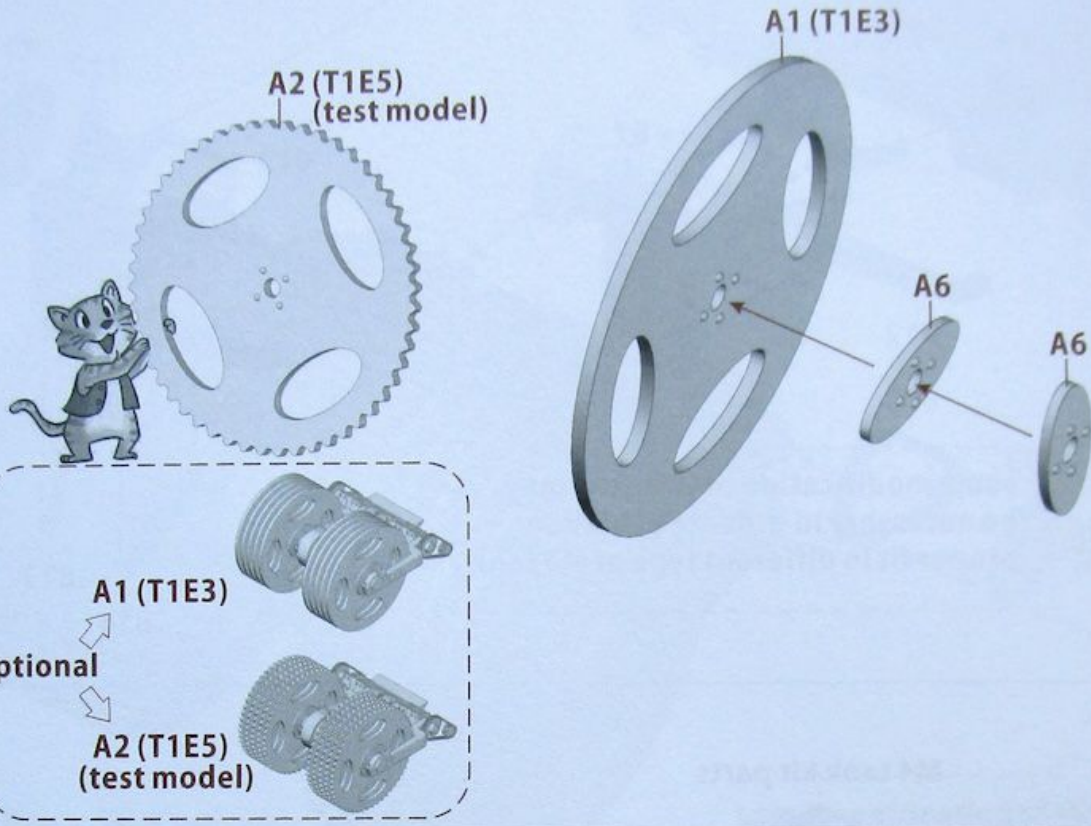
T1E3是一種以“輾壓引爆”為排雷方式的設備，他主體是10個直徑244cm，厚度7cm，重量2噸的金屬圓盤，以5個為一組的方式固定在M4戰車左前與右前方，藉由戰車的動力推動滾輪向前，進而輾壓並引爆位於戰車前方的地雷。至1944年12月為止，T1E3總共生產兩百套，全數用於歐洲戰場，後續吸收了戰場使用的回饋，發展出兩款改良型，一款將滾輪的前緣修改成鋸齒狀，稱為T1E5測試型，另一款是將滾輪直徑縮小為183cm，前緣亦修改成鋸齒狀，型號則為T1E5。

嚴格來說，T1E3是美軍針對二次大戰時的歐洲戰場所需而設計的一款應急設備，但因為整組設備重量高達26.76噸，以及本身龐大的尺寸，限制了他的機動性和使用效率，因此未在戰後的武備清單中繼續存在。

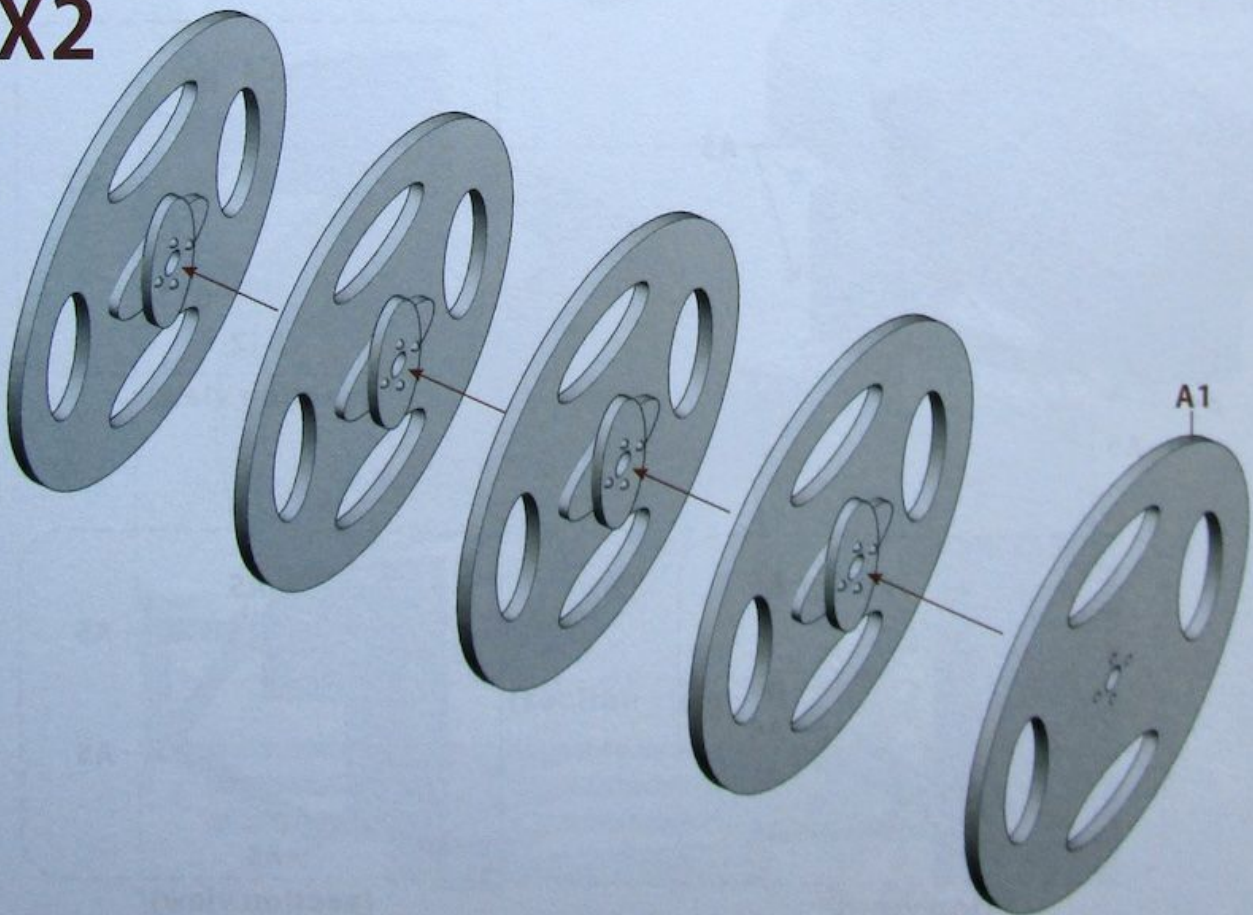
## ! Parts list



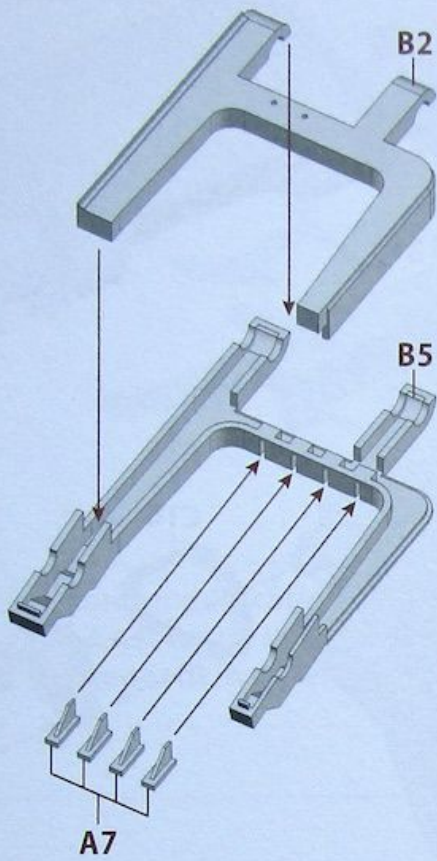
# 1 X8



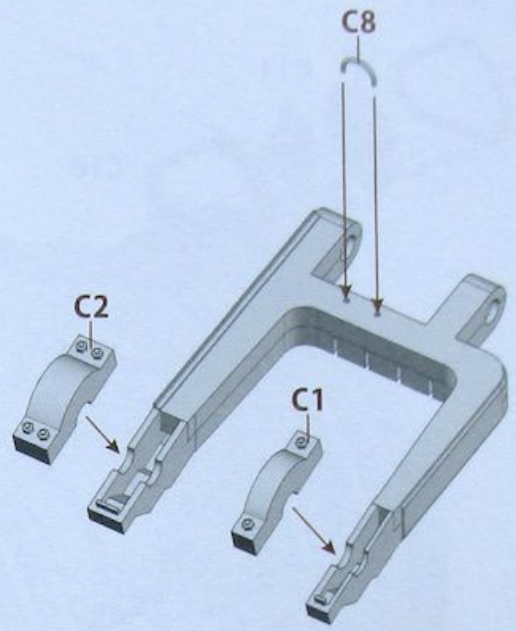
# 2 X2



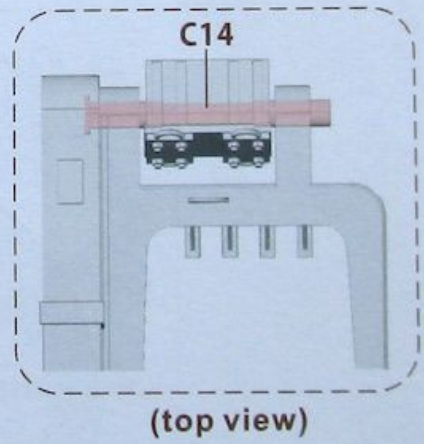
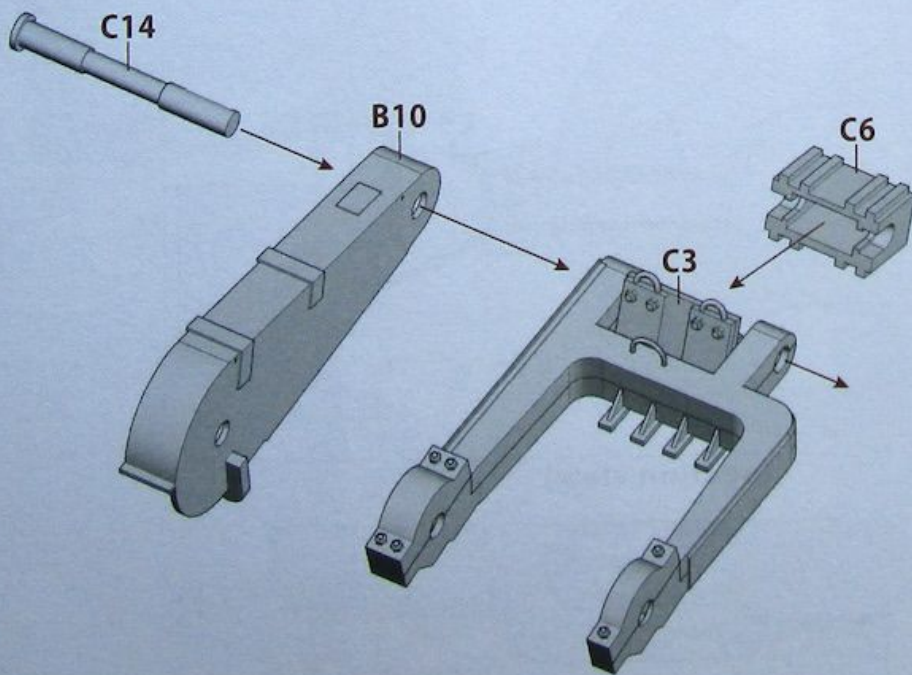
3



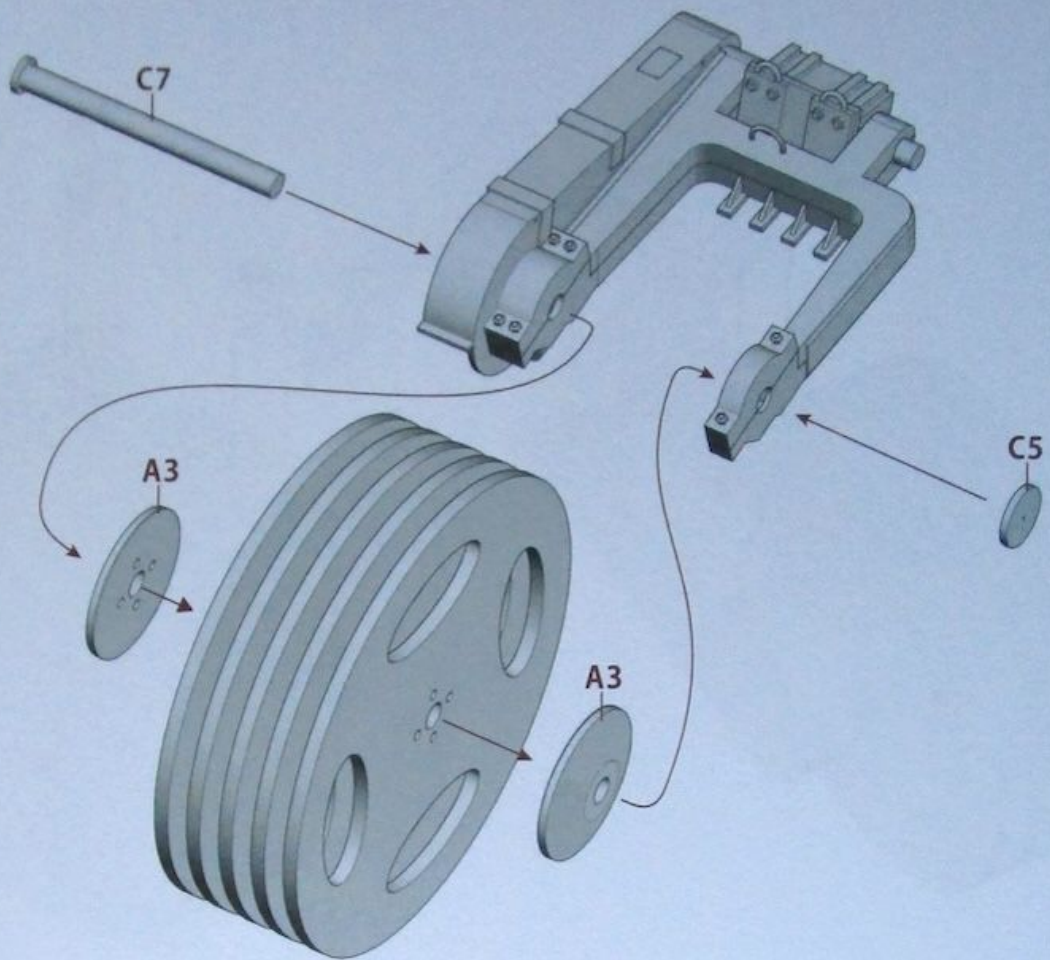
4



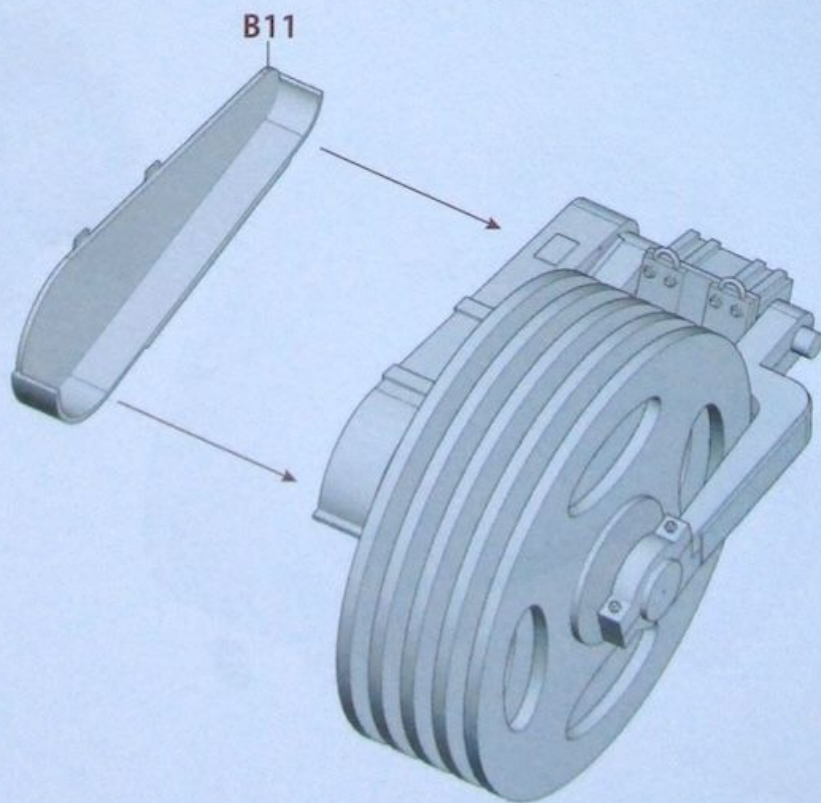
5



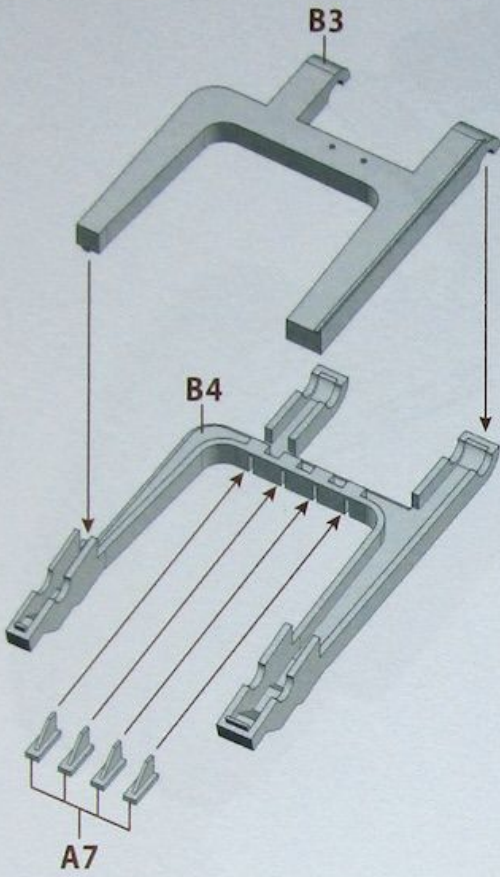
6



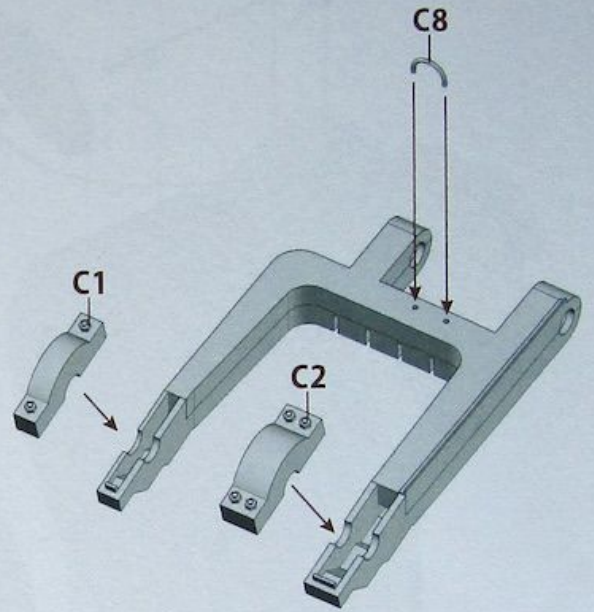
7



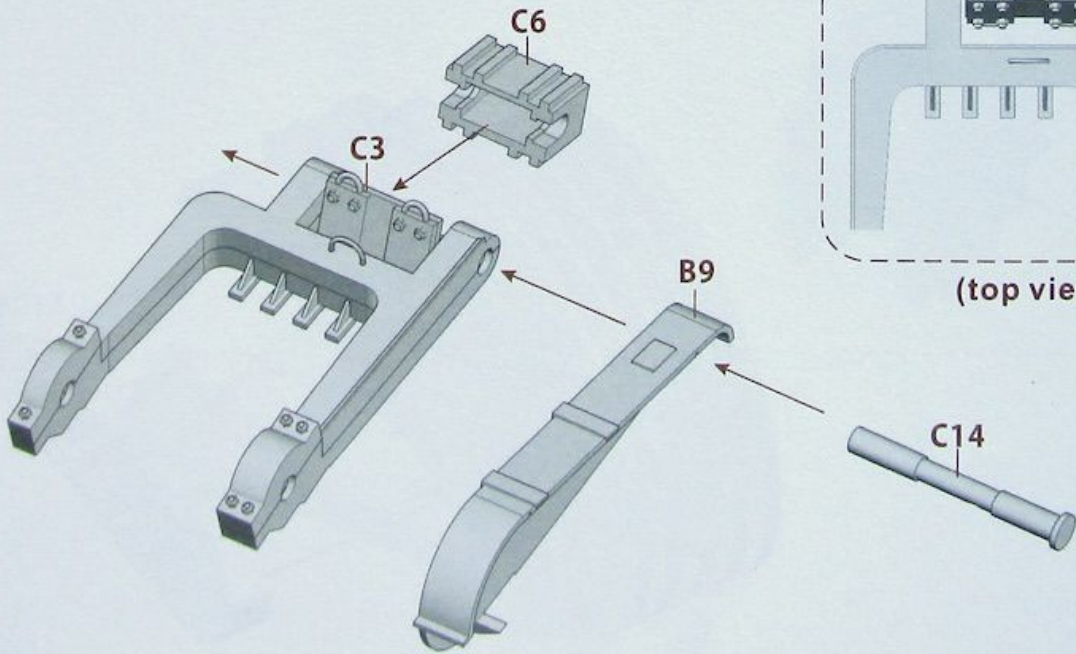
8



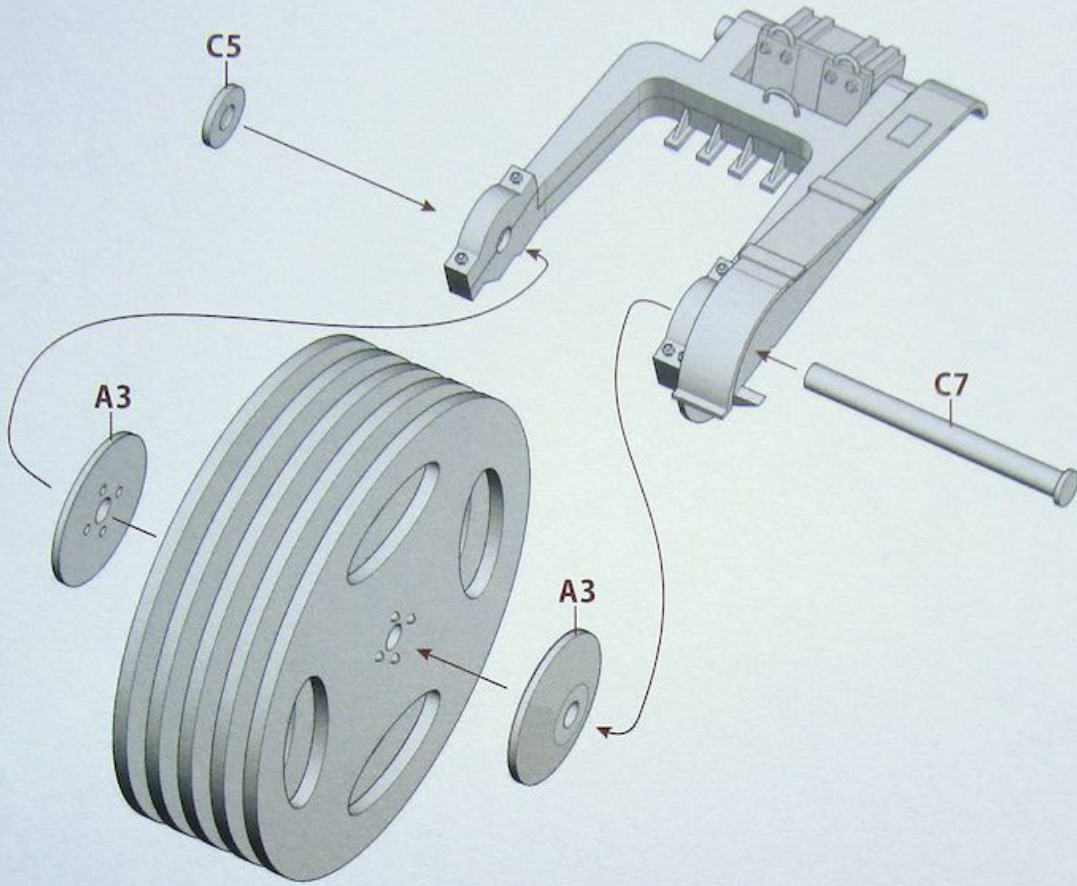
9



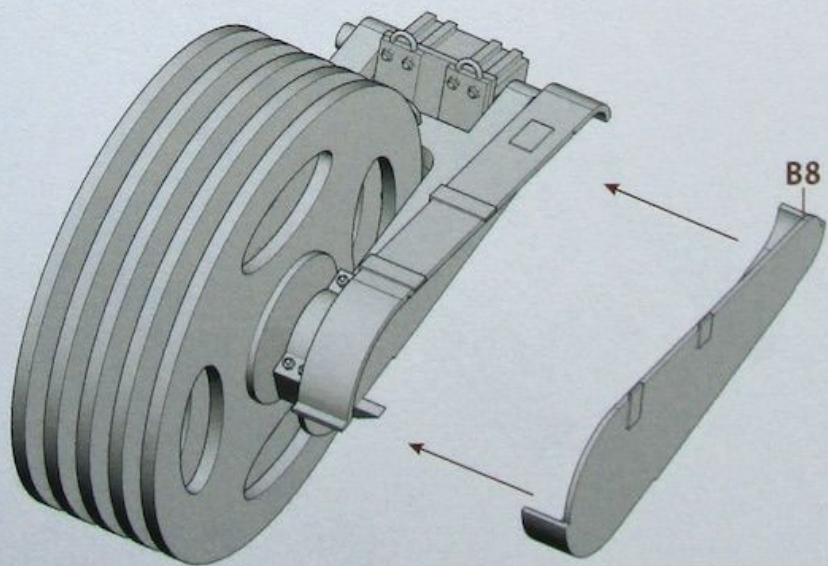
10



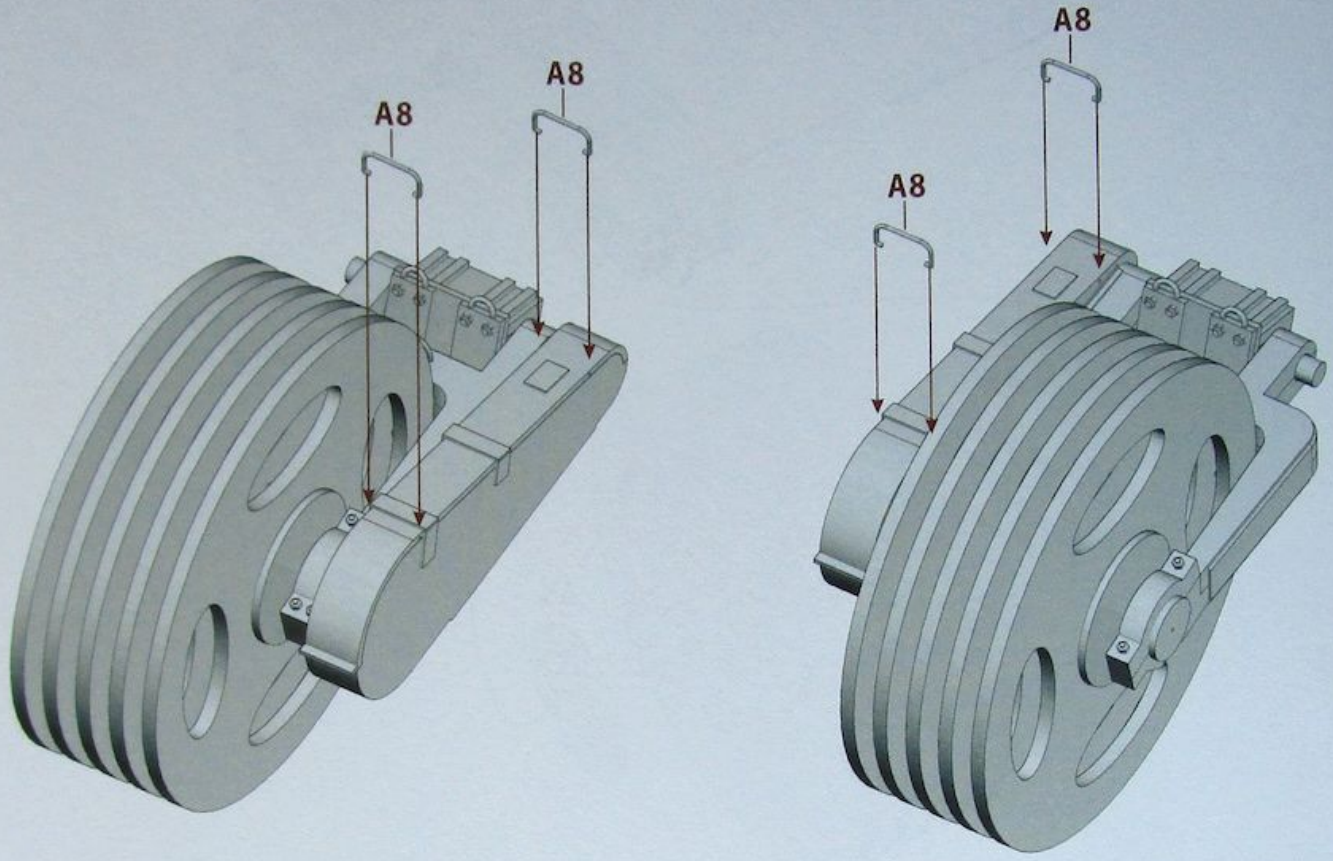
11



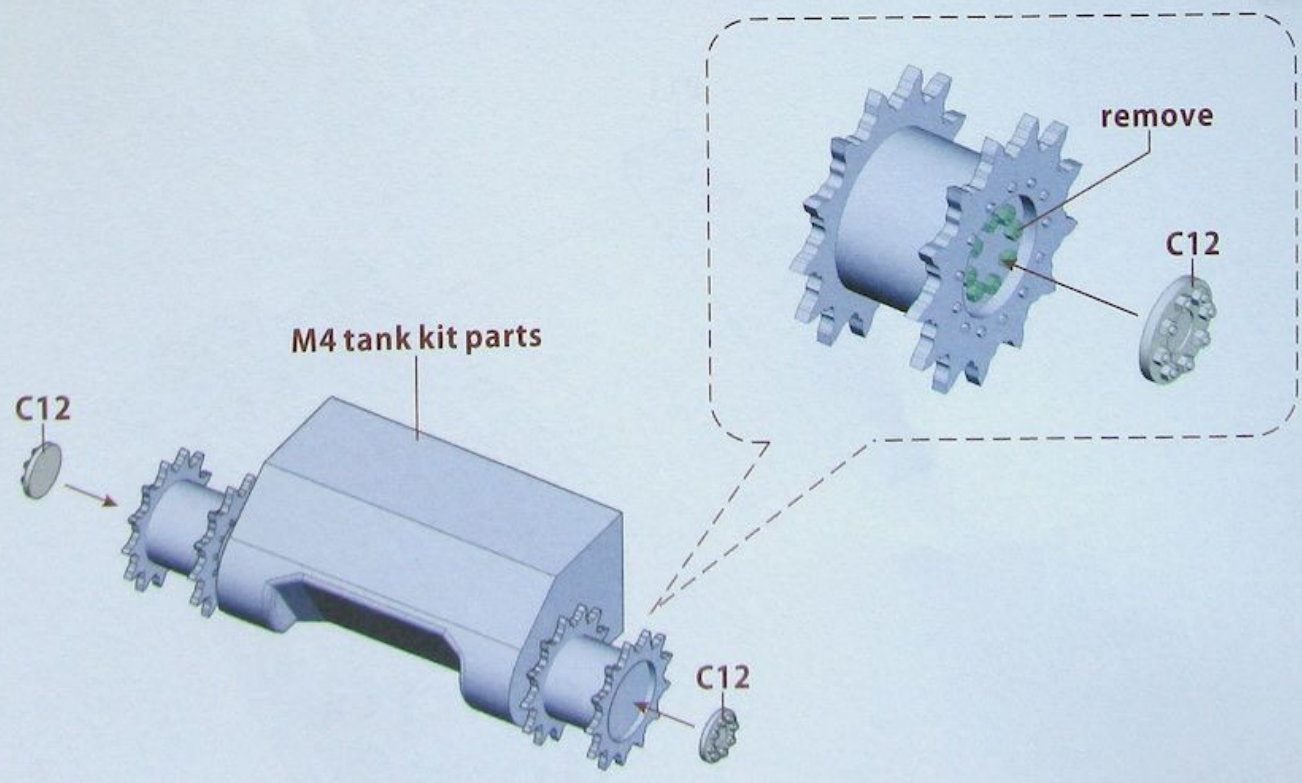
12



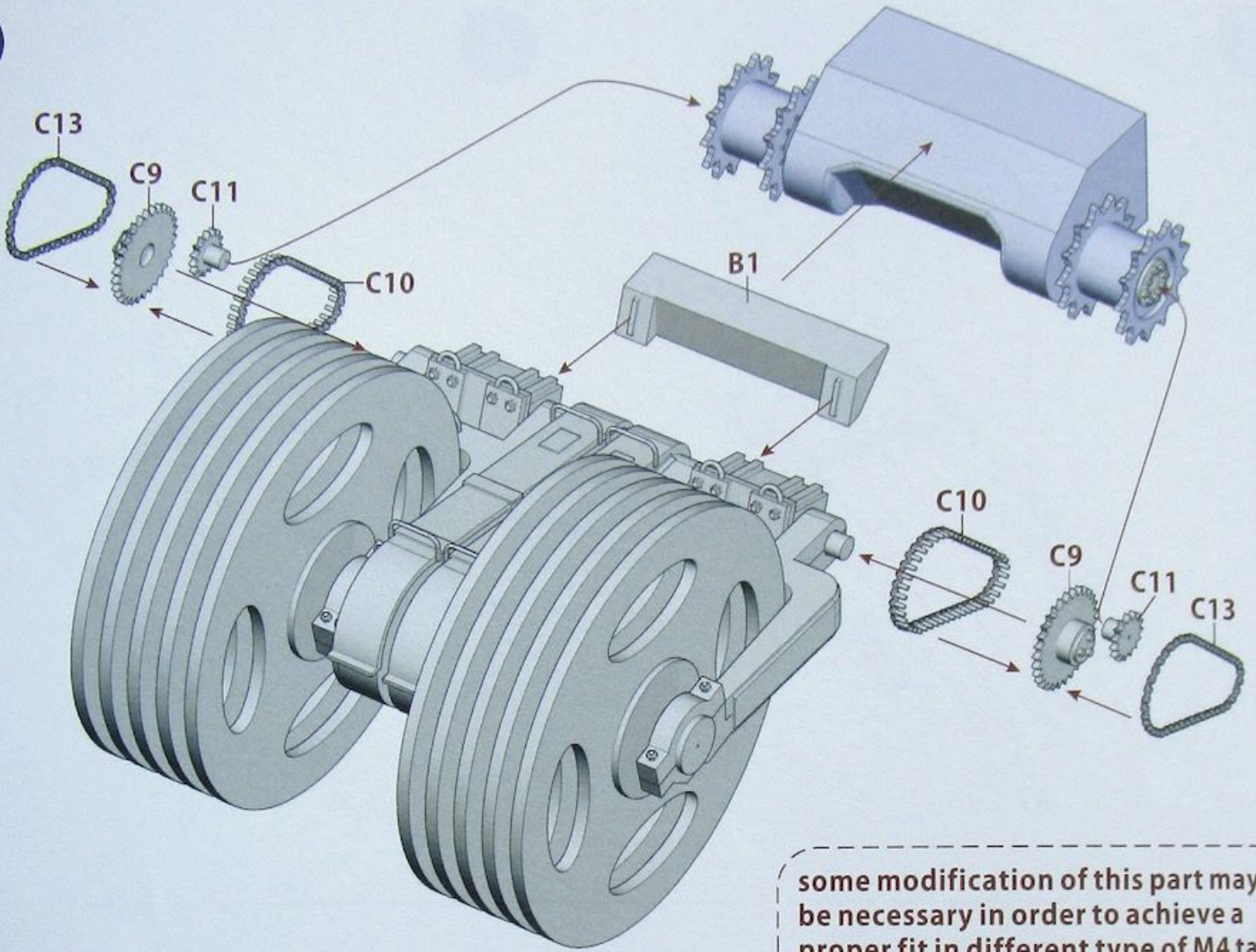
13



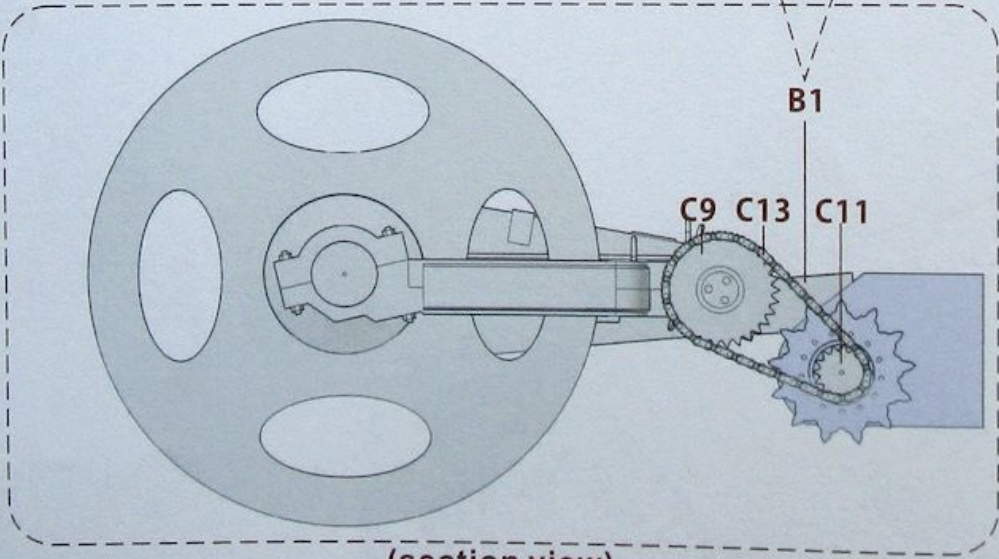
14



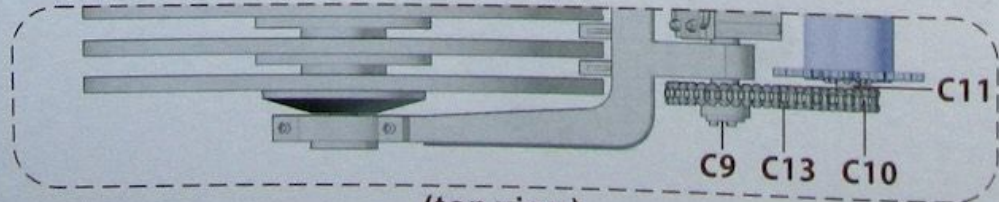
15



some modification of this part may be necessary in order to achieve a proper fit in different type of M4 tank



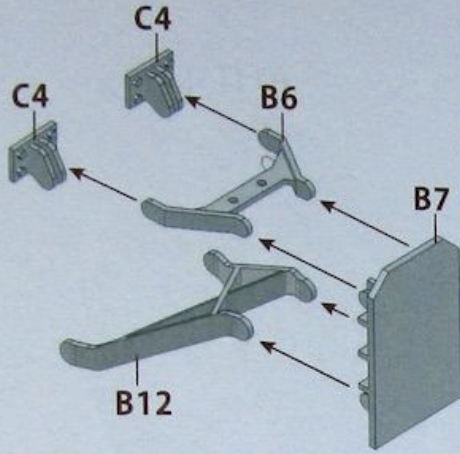
(section view)



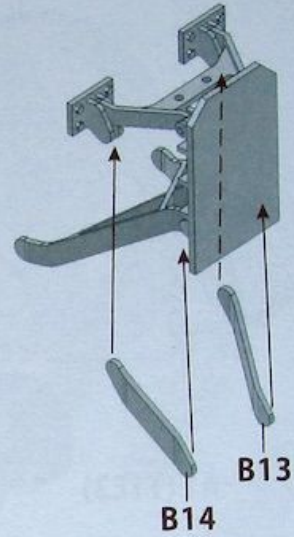
(top view)



16



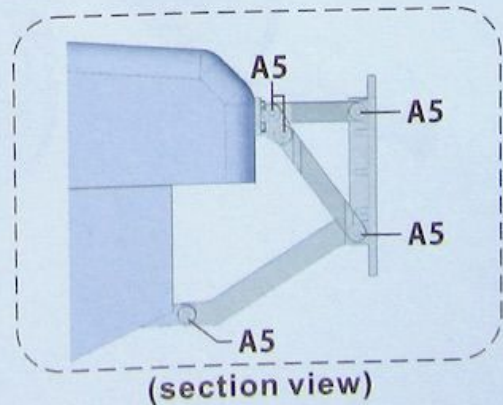
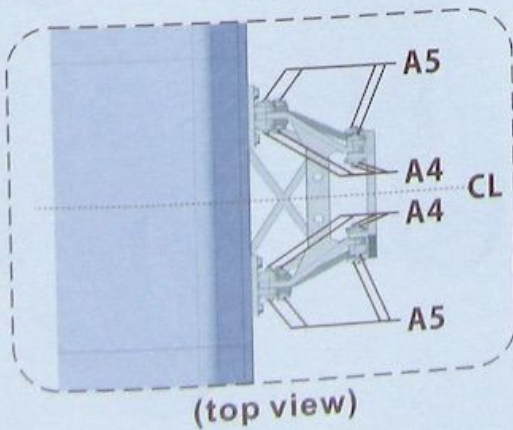
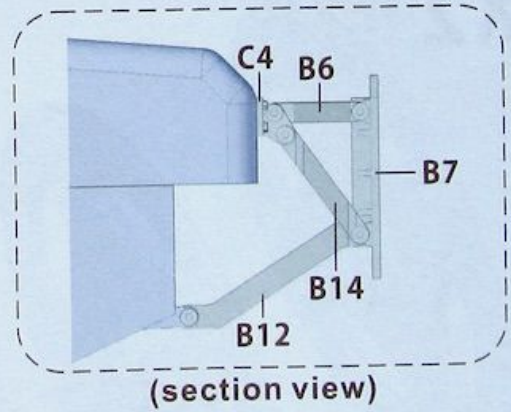
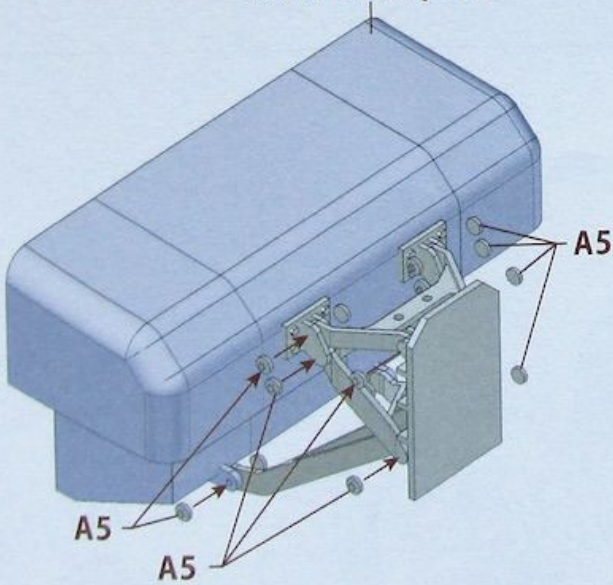
17



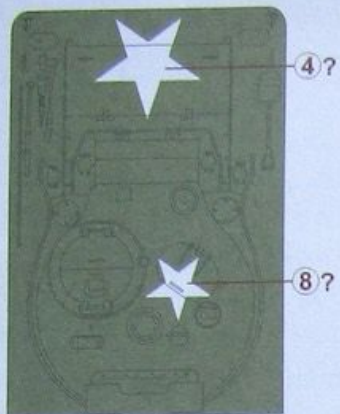
some modification of this step may be necessary in order to achieve a proper fit in different type of M4 tank

18

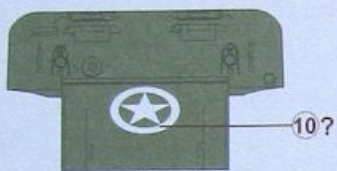
M4 tank kit parts



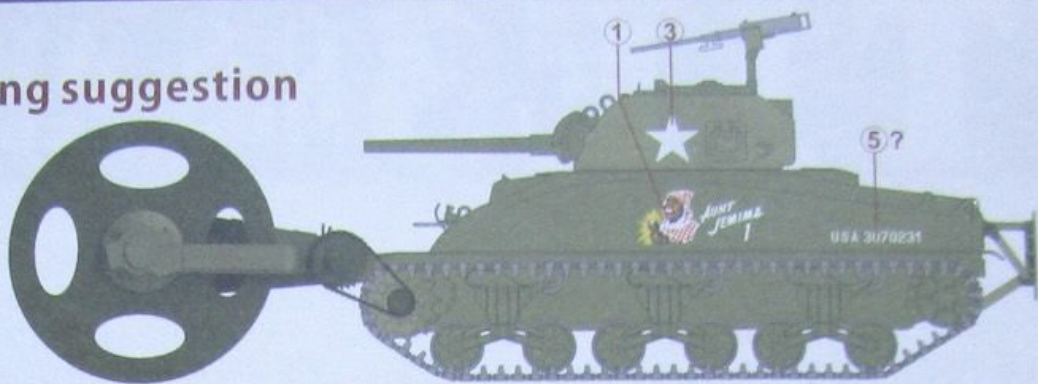
# ! Painting & Marking suggestion



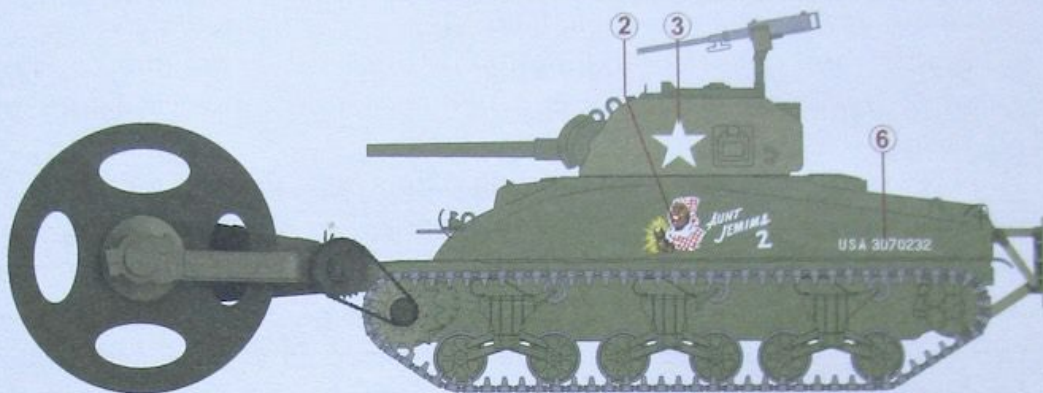
top view



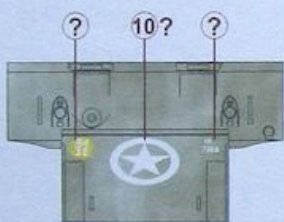
front view



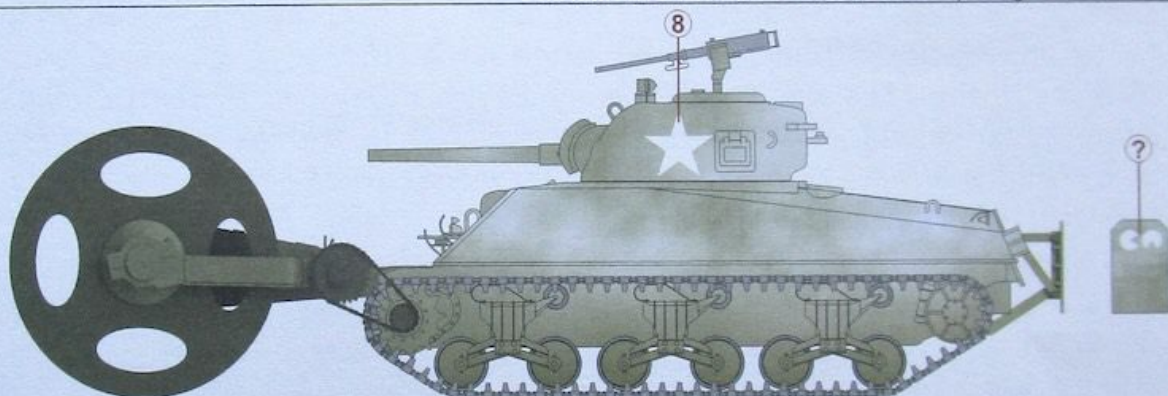
M4A1 with T1E3 Great Britain, May 1944



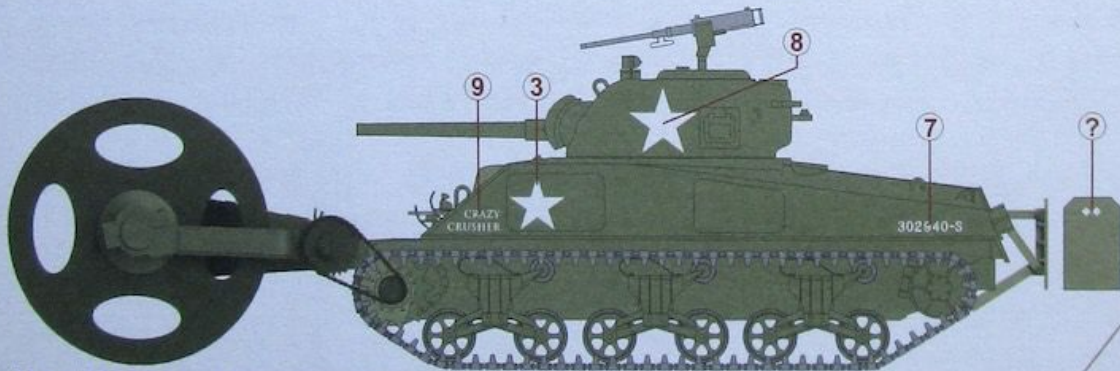
M4A1 with T1E3 Great Britain, May 1944



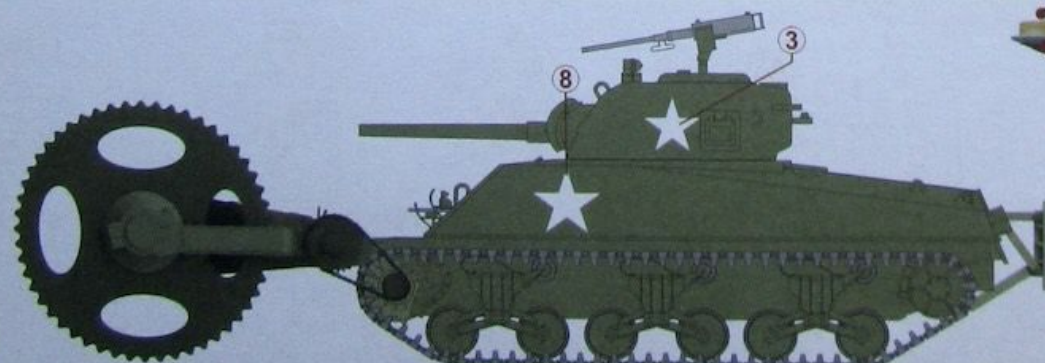
front view



M4 with T1E3 738th Tank Battalion, Recht, Belgium, January 1945



M4 with T1E3 739th Tank Battalion, Beggendorf, Germany, December 1944



M4 with T1E5 Unknown unit, Germany, 1945

GSI Mr. Color

19 SANDY BROWN

3 RED & 62 FLAT WHITE

43 WOOD BROWN

C370 AZURE BLUE

1 WHITE

62 FLAT WHITE

C370 AZURE BLUE

62 FLAT WHITE

2 BLACK

