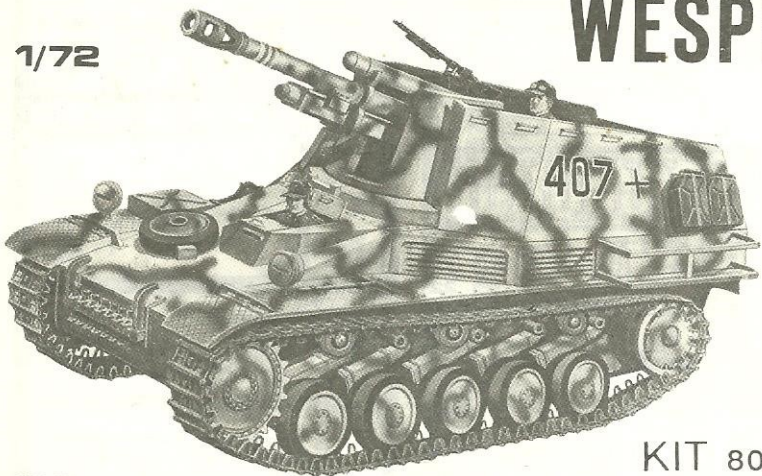


# German Sd. Kfz. 124

# WESPE

1/72



KIT 8004

## 105 mm.

# Self-Propelled Howitzer

### SPECIFICATION GENERAL

CREW: FIVE.  
BATTLE WEIGHT: 12,1 tons.  
GROUND PRESSURE: 10,9 lbs./sq. in.

### DIMENSIONS

LENGTH: 15' 8".  
HEIGHT: 7' 6".  
WIDTH: 7' 5".  
TRACK: DRY PIN. WIDTH OF TRACK: 11,8 in.  
GROUND CLEARANCE: 13,4 in.

### ARMAMENT

ONE 10,5 cm. F.H. 18/2, CALIBER LENGTH 28.  
ONE 7,9 mm. MG 34.

### ENGINE

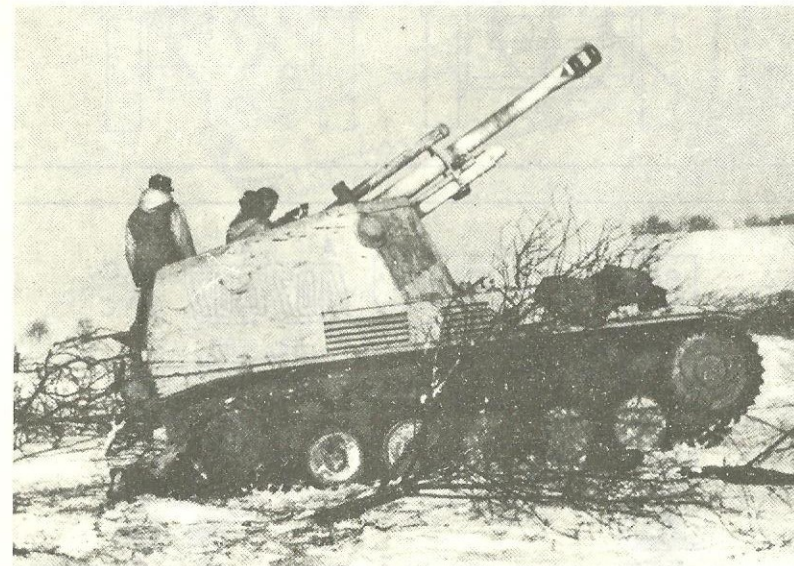
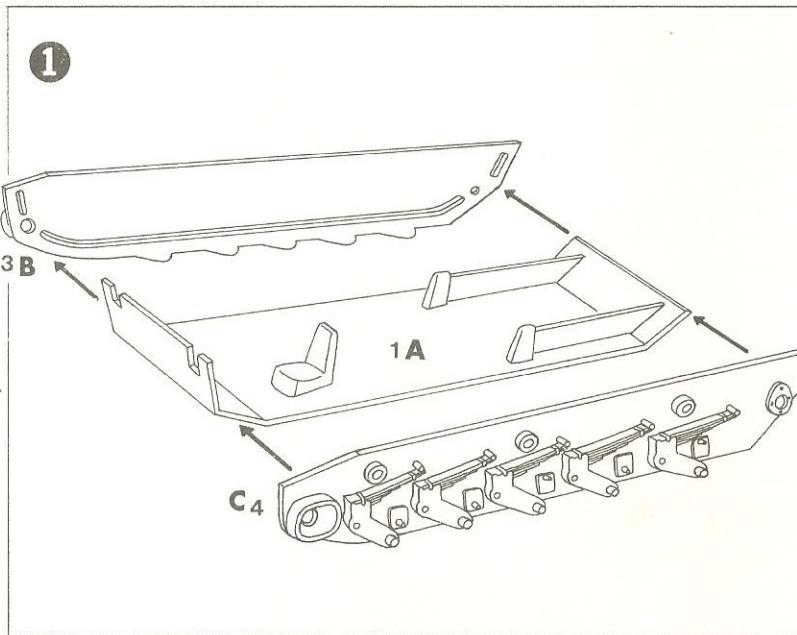
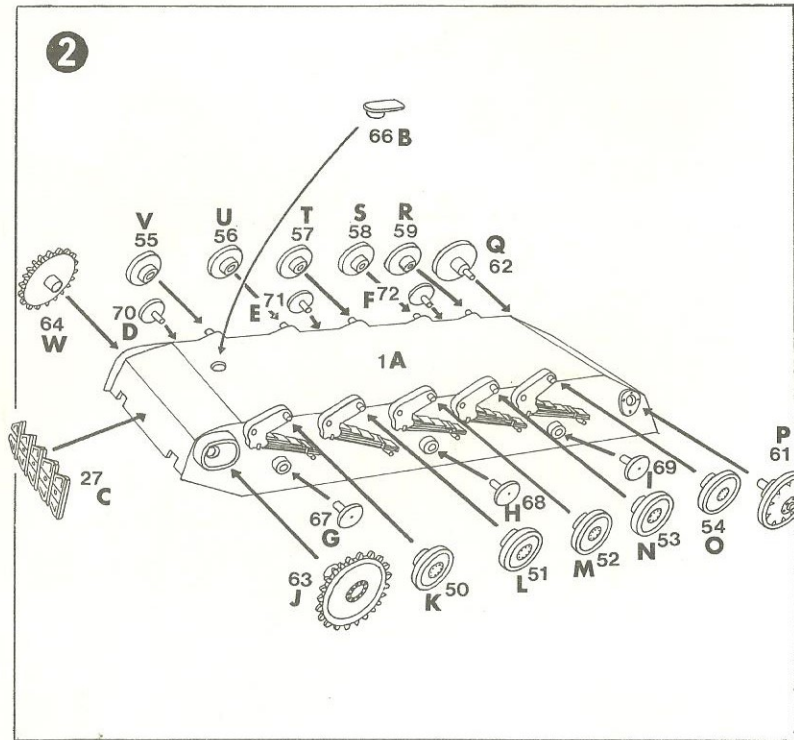
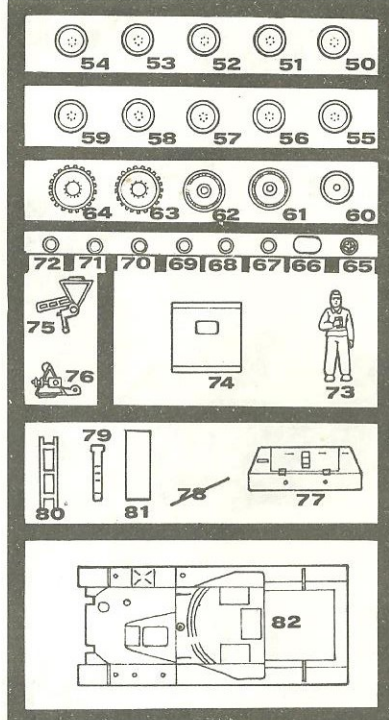
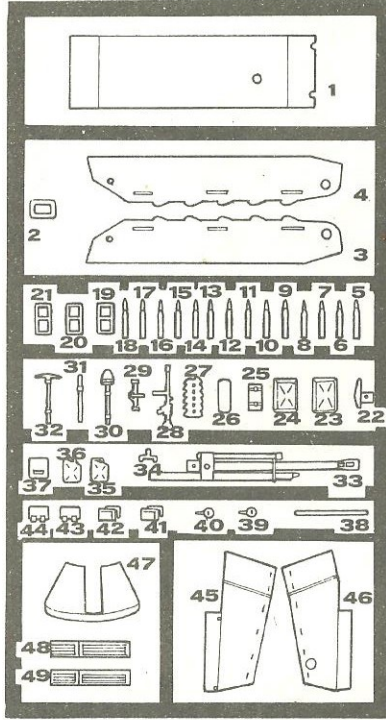
MAYBACH HL 62 TR 6 - CYL. - 140/2600.

### PERFORMANCE

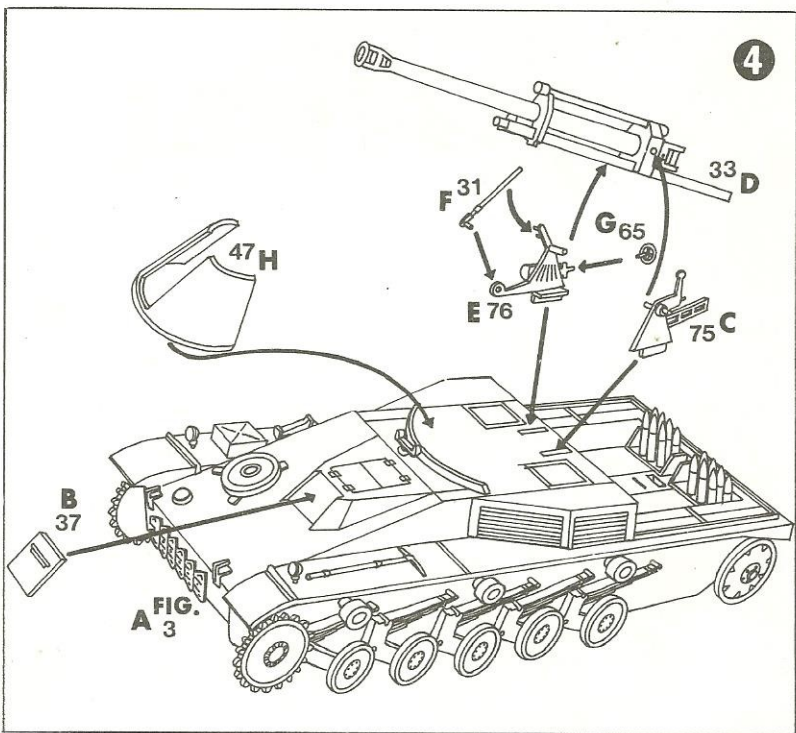
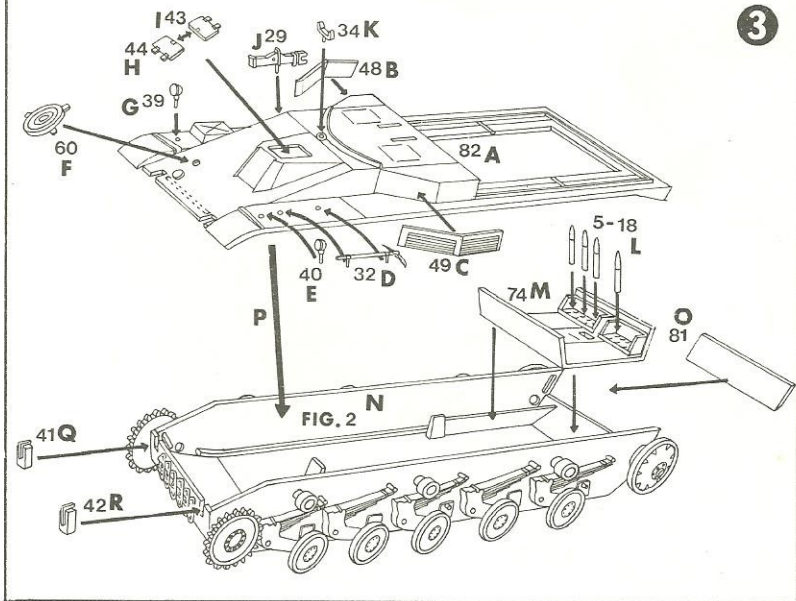
MAXIMUM ROAD SPEED: 25 m.p.h.  
MAXIMUM GRADIENT: 30°.  
TRENCH CROSSING: 5' 6".  
FORDING DEPTH: 31' 5".  
FUEL CONSUMPTION: APPROXIMATELY 1,9  
MI/GAL. ON ROADS AND 1,3 MI/GAL. CROSS-  
COUNTRY.  
FUEL CAPACITY: 45 GAL.

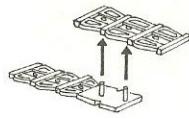
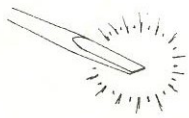
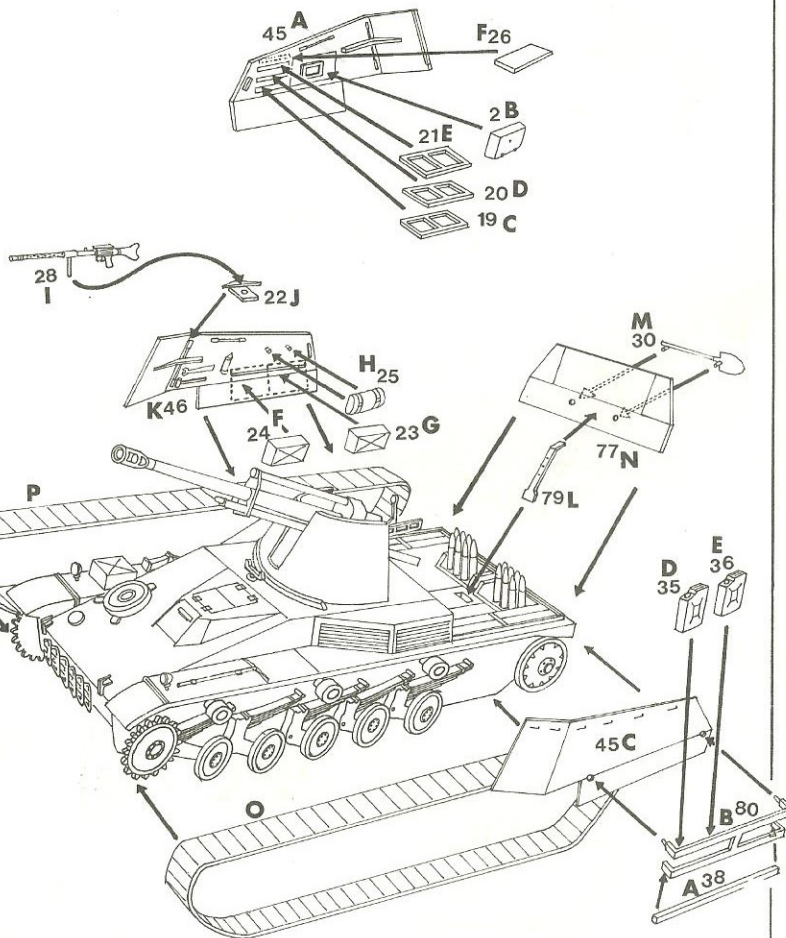


MADE IN ITALY

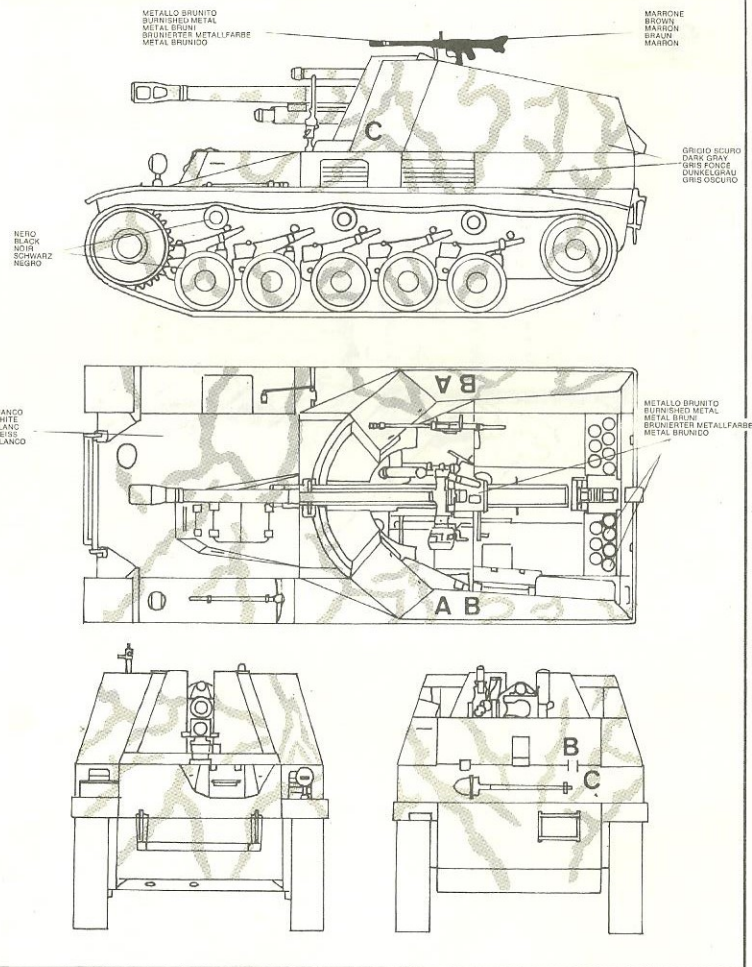








73



Sd. Kfz. 124 WESPE

A A  
407 407 C C

B B B C C

C C B B B

B B B A A

C C B B

