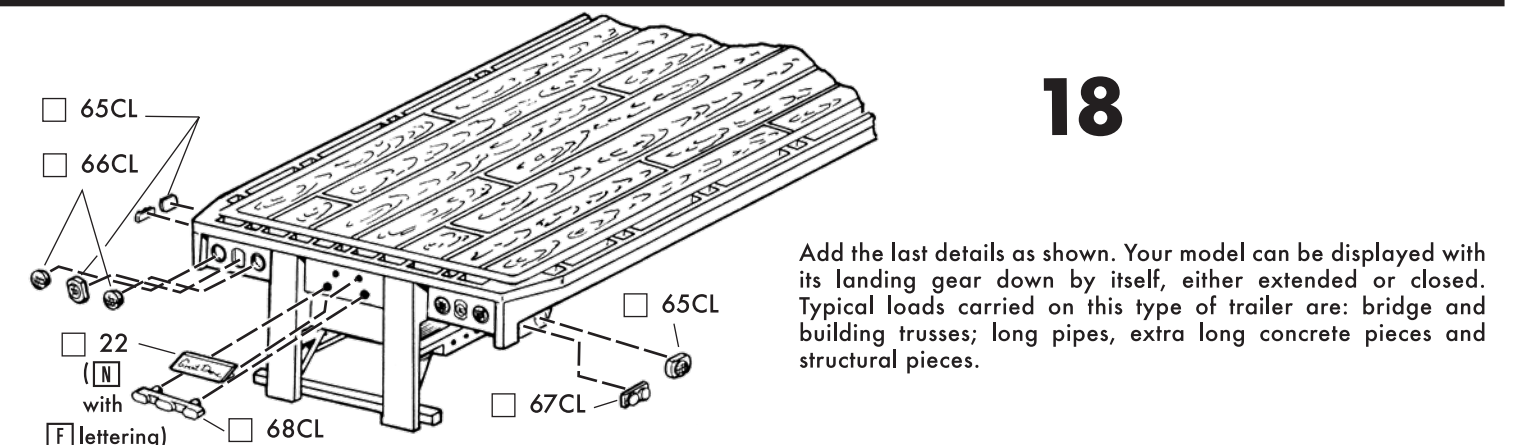


Glue the parts shown into place. The bulkhead handholds (25) are optional features on the real trailer and may be left off the model if you wish.

Scrape plating from glue joints

Place the spare tire in the spare tire rack. It will fit snugly into place. Now slide the forward frame webs into the rear frame webs. As the parts slide together you will feel a slight stop or binding. Jiggle the pieces while continuing to push and they will snap into a free-sliding condition.



Add the last details as shown. Your model can be displayed with its landing gear down by itself, either extended or closed. Typical loads carried on this type of trailer are: bridge and building trusses; long pipes, extra long concrete pieces and structural pieces.

Nomenclature

- | | | |
|---|--------------------------------|----------------------------------|
| 1 Rear crossmember assembly | 26 Forward frame crossmember | 50 Air tank |
| 2, 19 Forward frame webs | 27 Spare tire frame | 51 Wheel spacer |
| 3, 20, Rear frame webs | 28, 29 Rollers | 52 Inner rim |
| 4, 23, 5 Forward frame diagonal bracing | 30 Spare tire brace | 53, 54 Tandem spring frame |
| 6 Bumper channel | 31, 32 Outrigger plate | 55 Axle |
| 7, 8, 9 Rear frame crossmembers | 33, 34 Outrigger plate | 56 Landing gear axle leg |
| 10 Brace | 35 Brake chamber | 57 Landing gear leg |
| 11 Roller mount crossmember | 36 Landing gear wheel | 58 Landing gear "sandshoes" |
| 12 Light mount plate | 37 Landing gear crank | 59 Landing gear gearbox |
| 13 Landing gear mount | 38 Air connections—"gladhands" | 60 Brake support plate |
| 14, 15 Corner light guard | 39, 40 Brake actuating link | 61 Forward platform substructure |
| 16 Pickup plate | 41 Outer rim | 62 Forward platform |
| 17A Electrical junction box | 42, 43 Spare tire rim | 63 Rear platform |
| 17, 18 Landing gear braces | 44 Tandem frame | 64 Rear platform substructure |
| 21 Platform bulkhead—"headache board" | 45 Crossbrace | 65 Reflector |
| 22 Name plate | 46, 47 Landing gear box cover | 66 Stop and tail lamps |
| 24 Lock pin air release chamber | 48 Landing gear box | 67 Identification lamps |
| 25 Bulkhead handholds | 49 Mud flap | 68 Rear identification lamps |

Great Dane Trailers

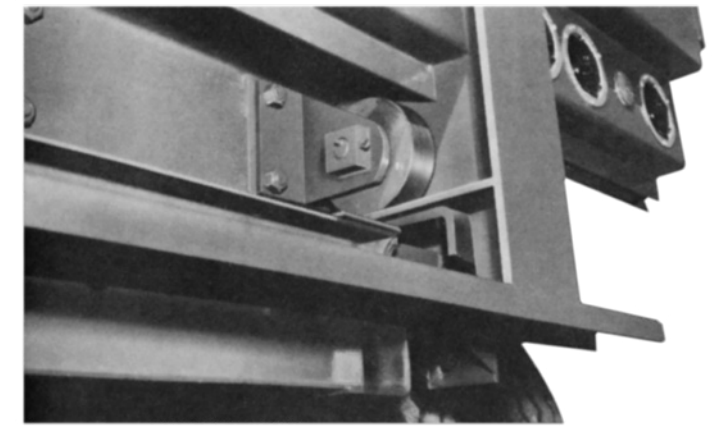
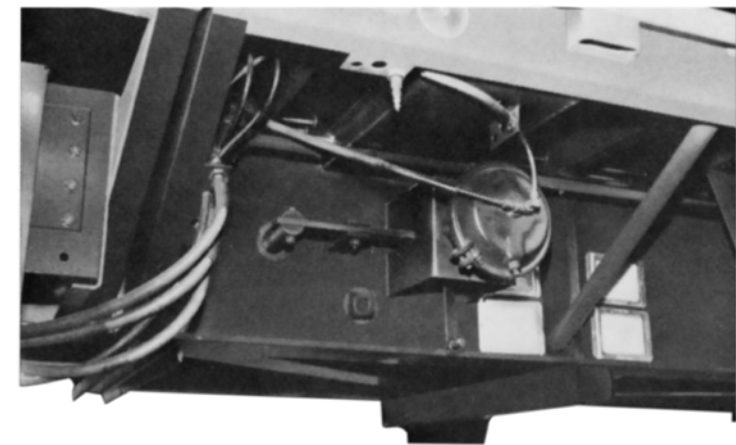


A1111-200

Extendable Heavy Duty Flatbed Trailer



1/25 SCALE



This 1/25 scale Great Dane GPES-40-65 (sliding tandem) extendable platform trailer is precisely patterned after the quality rigs built by Great Dane Trailers—home office, Savannah, Georgia. Precision white and plated parts come together to produce an accurate working model of this terrific trailer. We recommend that you carefully study the parts and instructions before beginning construction. Work slowly and carefully—be neat. the result will be one of the most detailed scale models you have ever built . . . the famous Great Dane GPES-40-65.

round2models.com



Goodyear (and wing foot design) and Eagle are trademarks of The Goodyear Tire & Rubber Company, Akron, Ohio USA used under license by Round 2, LLC. Other names and trademarks used under license to Round 2, LLC or by permission. AMT and design is a registered trademark of Round 2, LLC. ©2018 Round 2, LLC, South Bend, IN 46628 USA. Product and packaging designed in the USA. Made in China. All rights reserved.

READ THIS BEFORE YOU BEGIN

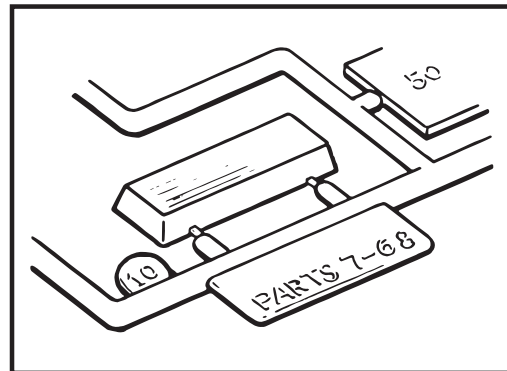
Cement all parts unless otherwise indicated.

Look over this instruction sheet carefully before you begin building. Follow the assembly instructions and "test-fit" the parts without cementing. This will familiarize you with the location of the parts.

For the best results, the various sub-assemblies and components should be painted before any "chrome" parts are attached. For example: When attaching "non-chrome" body accessories, it is best to cement them in place and paint the body as a unit.

AMT® kits are molded from the finest High-Impact Styrene plastic. Use only paint and cement made for Styrene. Trim excess plastic from parts before joining. When attaching "chrome" parts, scrape plating away where parts are to be joined. Use just enough cement to join parts, and be careful not to smear cement on exposed surfaces.

Built according to the instructions on this sheet, you should have no trouble assembling your kit.



The parts are arranged in groups or trees and are numbered either on the part or an adjacent tab. An identification tab on the side of the tree indicates which parts, by number, are on the tree. Remove parts from trees only as you use them — not before.

PAINT COLORS

A	Black	I	Steel	Q	Yellow	Y	Dark Green
B	Flat Black	J	Brass	R	Tan	Z	Gray
C	Semi-Gloss Black	K	Gold	S	Brown	WB	Wood Brown
D	White	L	Amber	T	Lt. Blue	BB	Pink
E	Flat White	M	Transparent Amber	U	Med. Blue	BC	Body Color
F	Silver	N	Red	V	Dark Blue	▲	Semi-Gloss
G	Chrome (Bright Silver)	O	Transparent Red	W	Transparent Blue	△	Gloss
H	Aluminum	P	Orange	X	Lt. Green	▲	Metallic

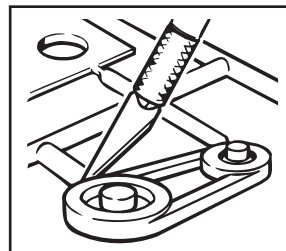
It is recommended that you search the internet for additional color references and details.

- 10 . . . indicates regular part
- 24BK . . . indicates black part
- 24CR . . . indicates chrome part
- CL . . . indicates clear part

You are about to work with a checklist instruction sheet. As each part is applied take a pencil and put a check mark in the box in front of each number. In this way you can see what you have done and what you have not.

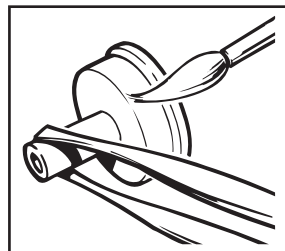
MODELING TIPS

HOBBY KNIFE



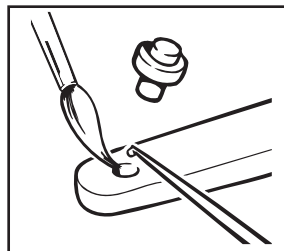
Use a sharp hobby knife to remove parts from the trees. Some parts may appear to have an extra "tab" on them, these should be removed.

TWEEZERS

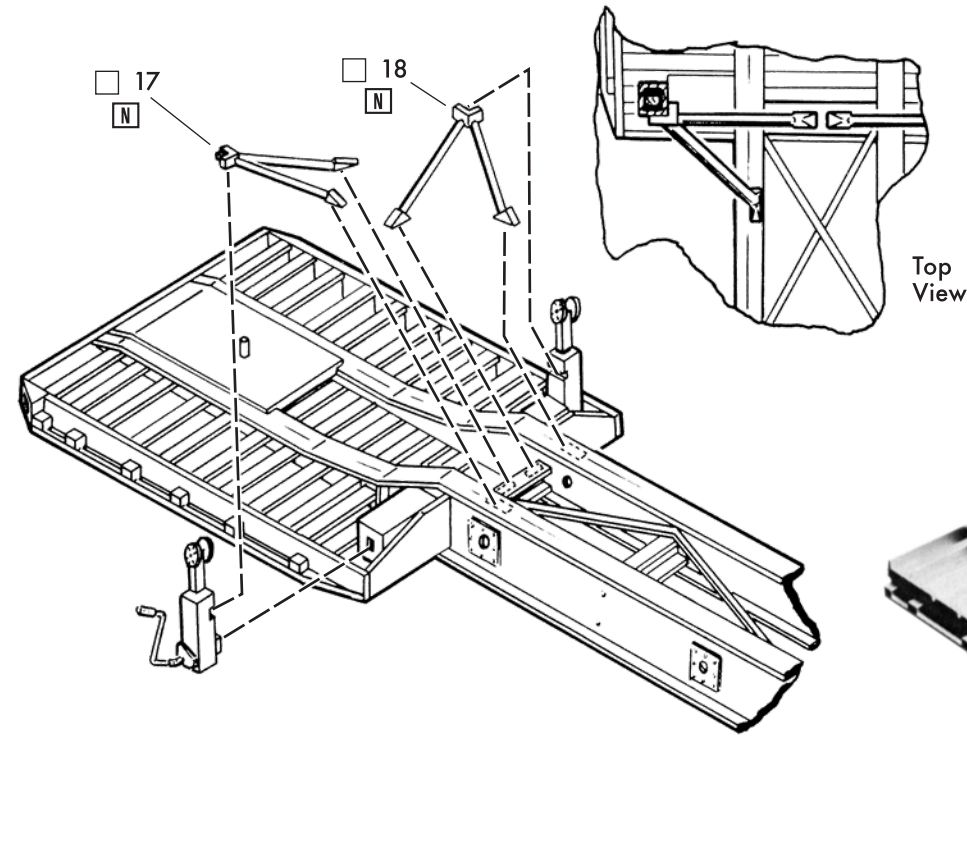


Tweezers are handy for holding very small parts during assembly or painting.

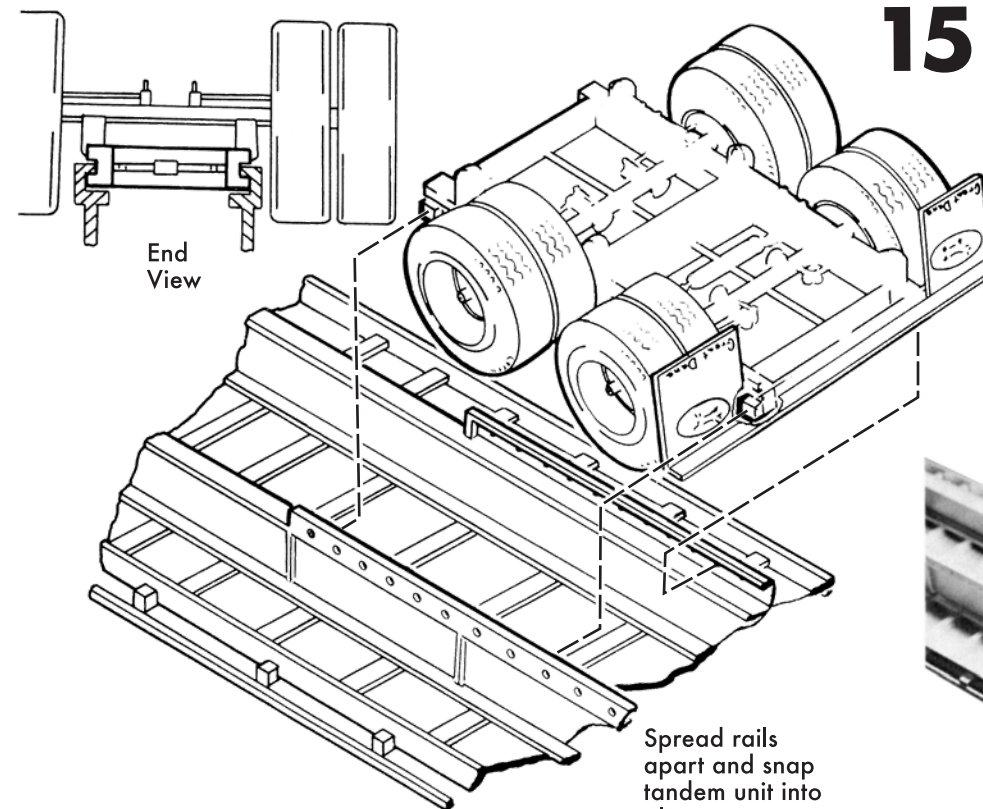
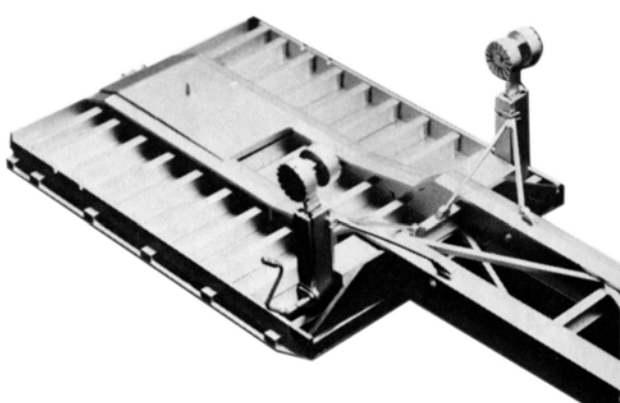
CEMENT



We recommend the use of liquid polystyrene cement. Apply with a fine brush or toothpick. Use cement sparingly or a sloppy job will result.



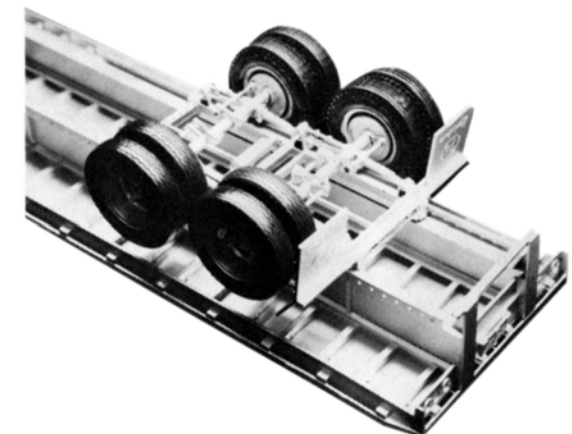
Glue the landing gear boxes to the landing gear mounts. Now glue the landing gear braces (17) and (18) into place as shown. See Top View illustration.

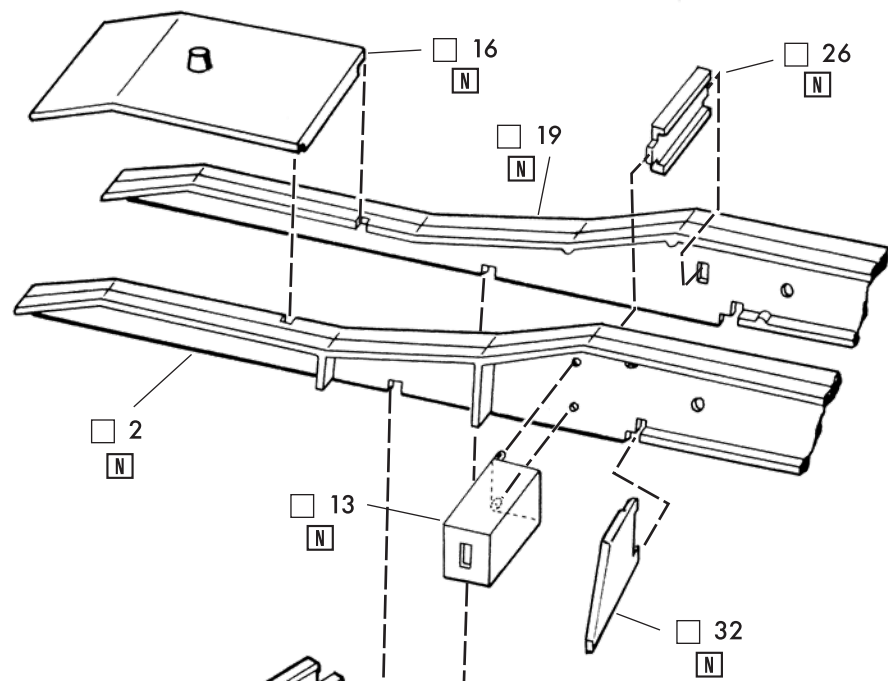


15

Place the tandem axle unit atop the frame webs. Gently spread the webs until the axle drops into place—see End View illustration. The tandem axle unit is now locked into place but can be slid forward or back. If you want you can glue it in place.

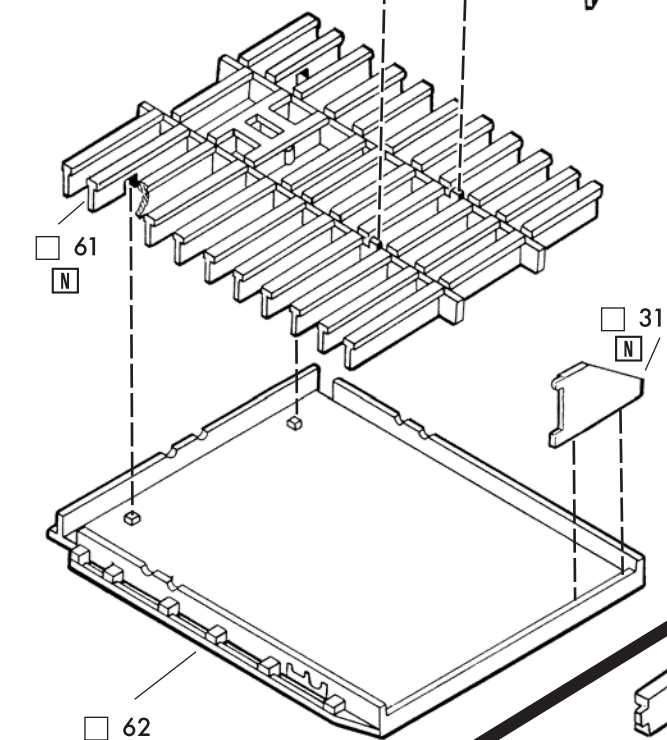
Spread rails apart and snap tandem unit into place.





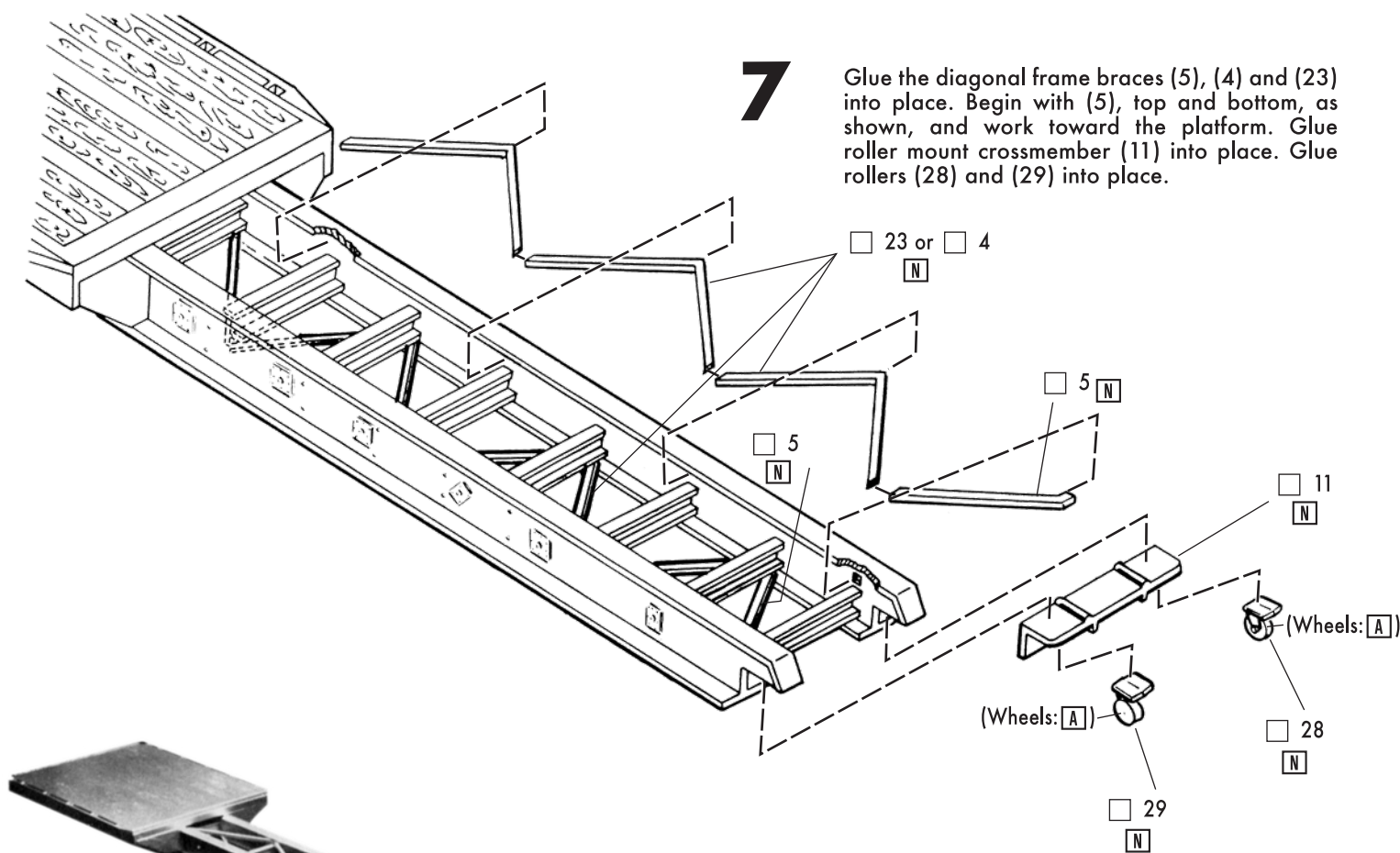
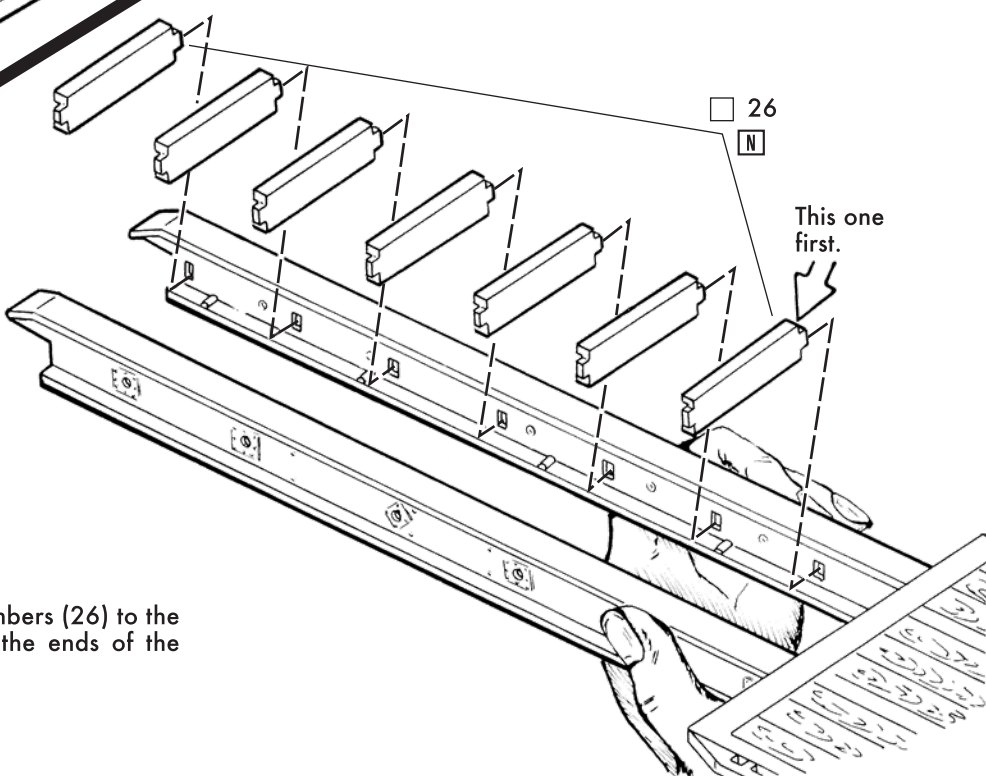
5

Glue the forward platform substructure (61) to the forward platform (62). Glue one forward frame crossmember (26) in place between frame webs (2) and (19). Glue pickup plate (16) to frame webs. Glue landing gear mounts (13) in place to each frame web. Glue outrigger plates (31) and (32) to frame webs. Now glue the frame web assembly to the substructure.



6

Glue the remaining forward frame crossmembers (26) to the frame. Start at the platform and work to the ends of the frame webs.



7

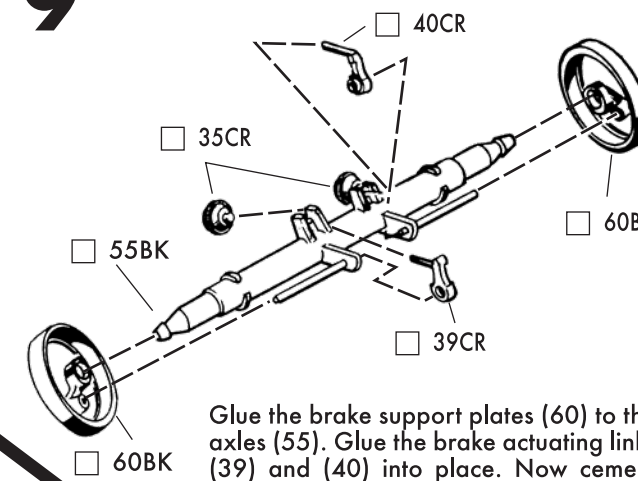
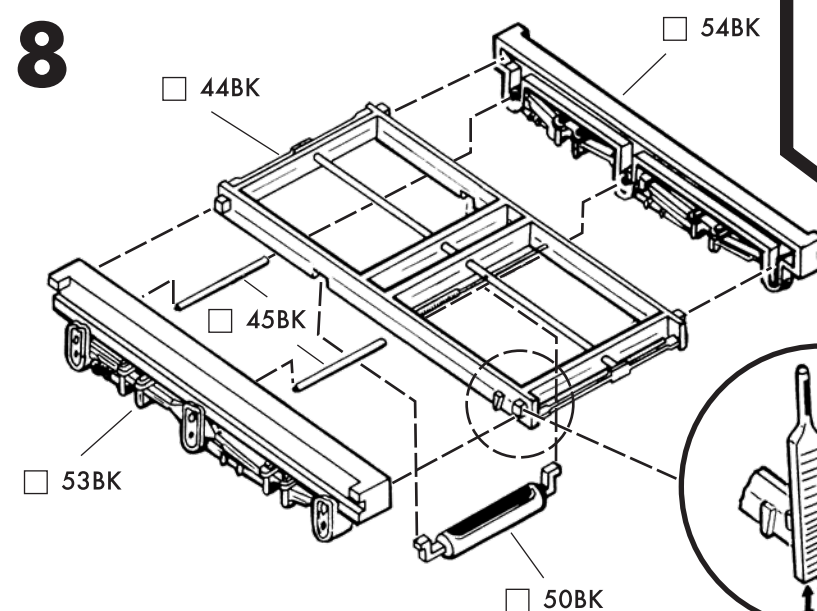
Glue the diagonal frame braces (5), (4) and (23) into place. Begin with (5), top and bottom, as shown, and work toward the platform. Glue roller mount crossmember (11) into place. Glue rollers (28) and (29) into place.



9

Glue the air tank (50) to the tandem frame (44). Glue the tandem spring frames (53) and (54) to the tandem frame. Before the glue sets, insert the crossbraces (45) into position and cement.

8



Glue the brake support plates (60) to the axles (55). Glue the brake actuating links (39) and (40) into place. Now cement the brake chambers (35) to the axles.

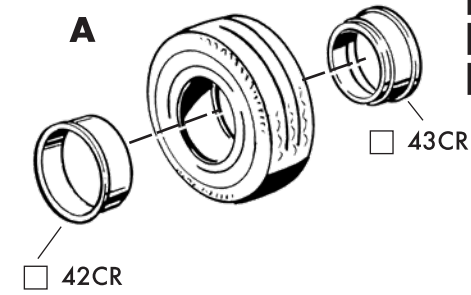
Scrape plating from glue joints

File ends slightly to ensure snug fit.

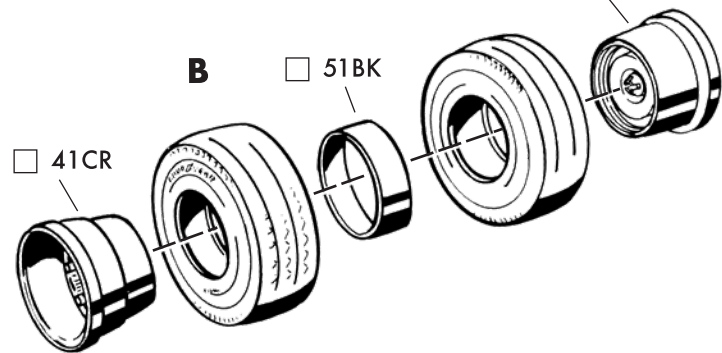
10

Scrape plating from gluing surfaces of chromed parts and make one spare tire unit as shown in **A** and four road wheel sets as shown in **B**.

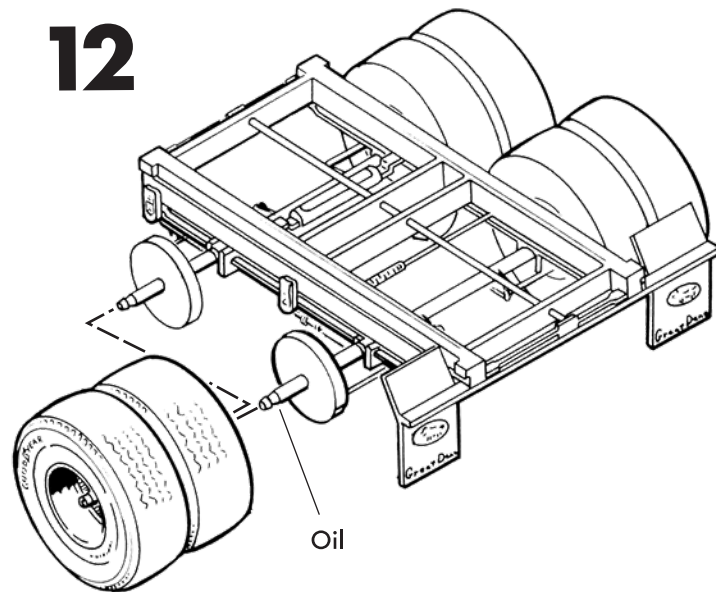
NOTE: Spare tire may be assembled and inserted into spare tire frame BEFORE frame is glued into place for an easier fit. (*See Step 4 for spare tire location)



Scrape plating from glue joints



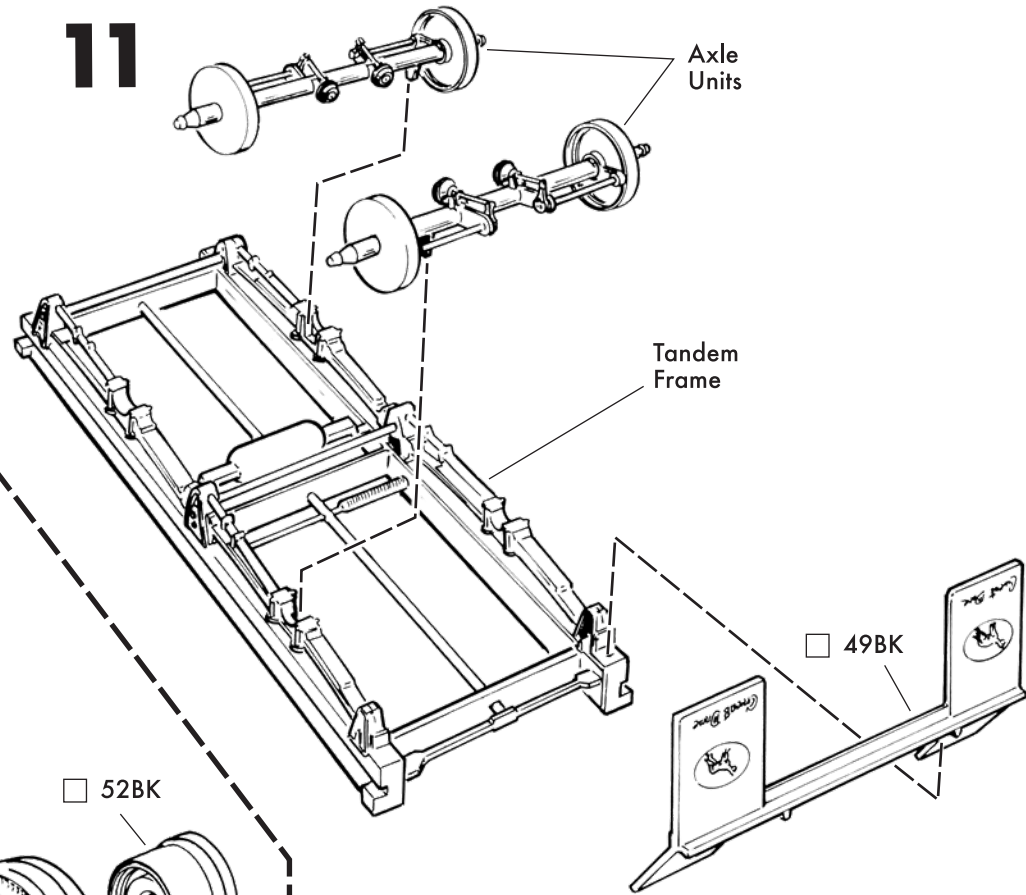
12



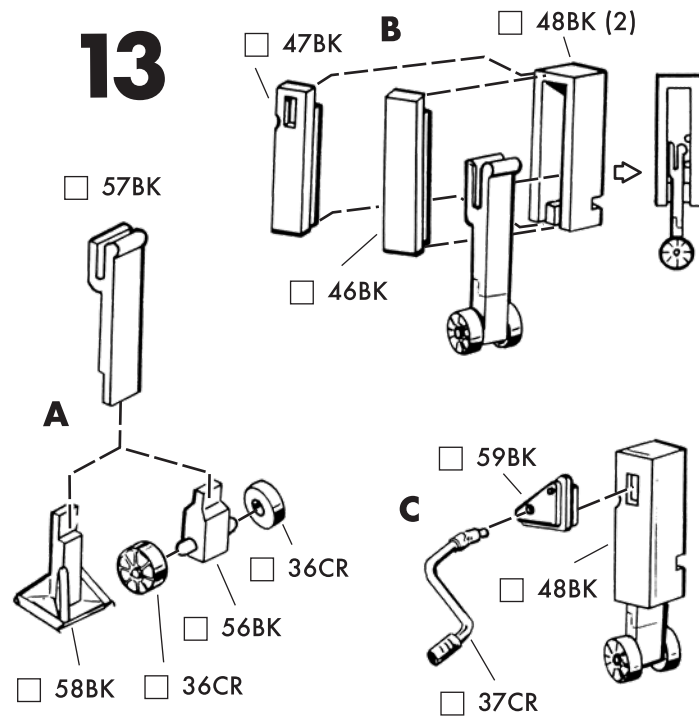
Place a drop of oil on the axle ends. Carefully snap the 4 sets of road wheels into place.

Glue the axle units to the tandem frame as shown. Glue the mud flaps (49) into position.

11

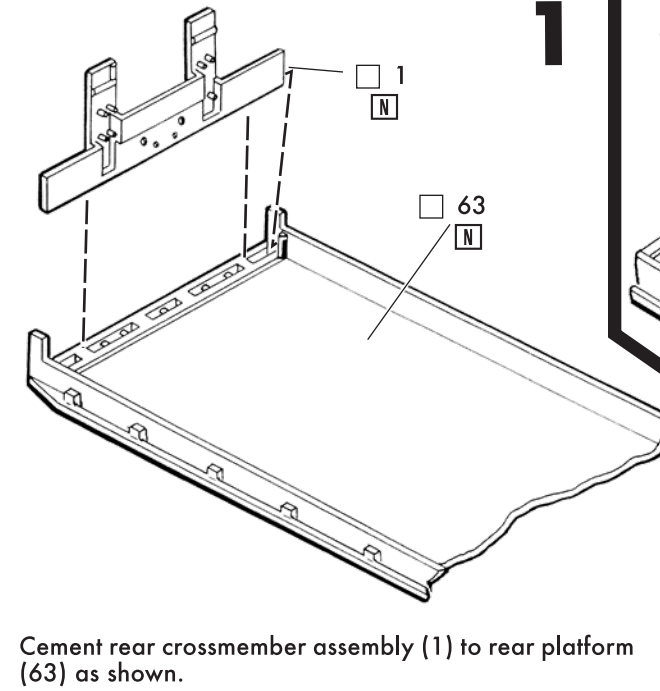


13



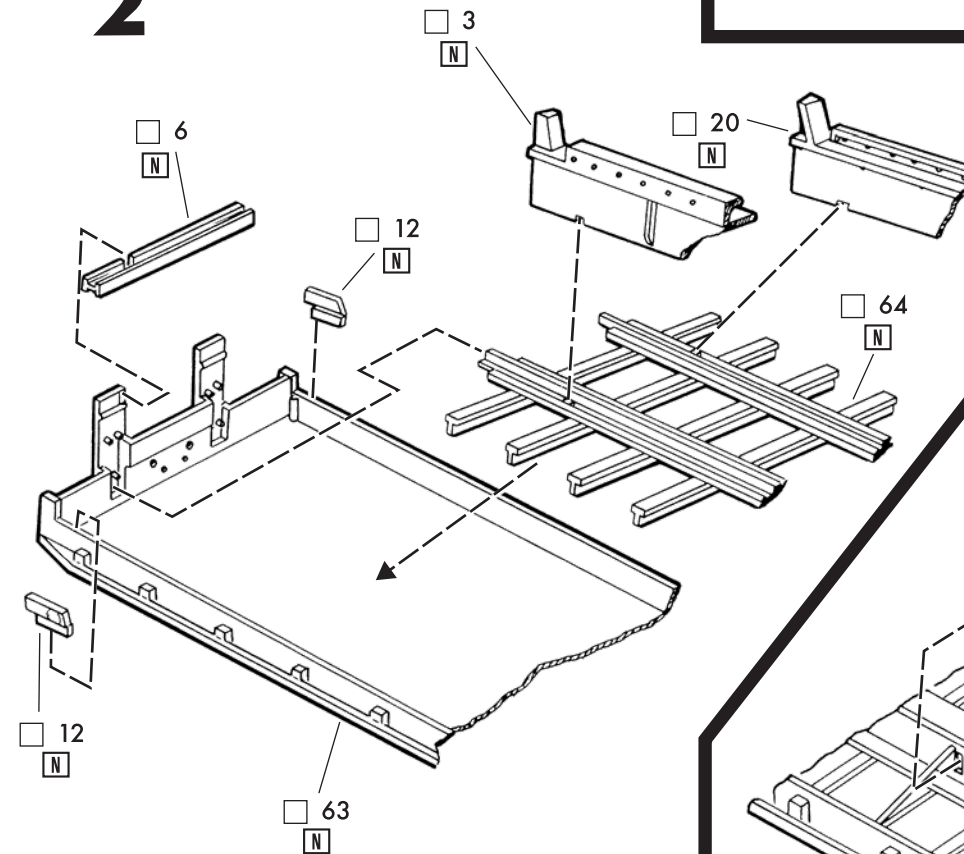
Decide whether you will use sandshoes (58) or wheels (36) for the landing gear of your trailer. Assemble matched pairs as shown in **A**. Place completed legs into landing gear boxes (48). Glue covers (46) and (47) very carefully onto boxes . . . use a minimum of glue. Work the legs up and down inside the boxes to prevent any sticking. Assemble the cranking mechanism as shown in **C**.

1



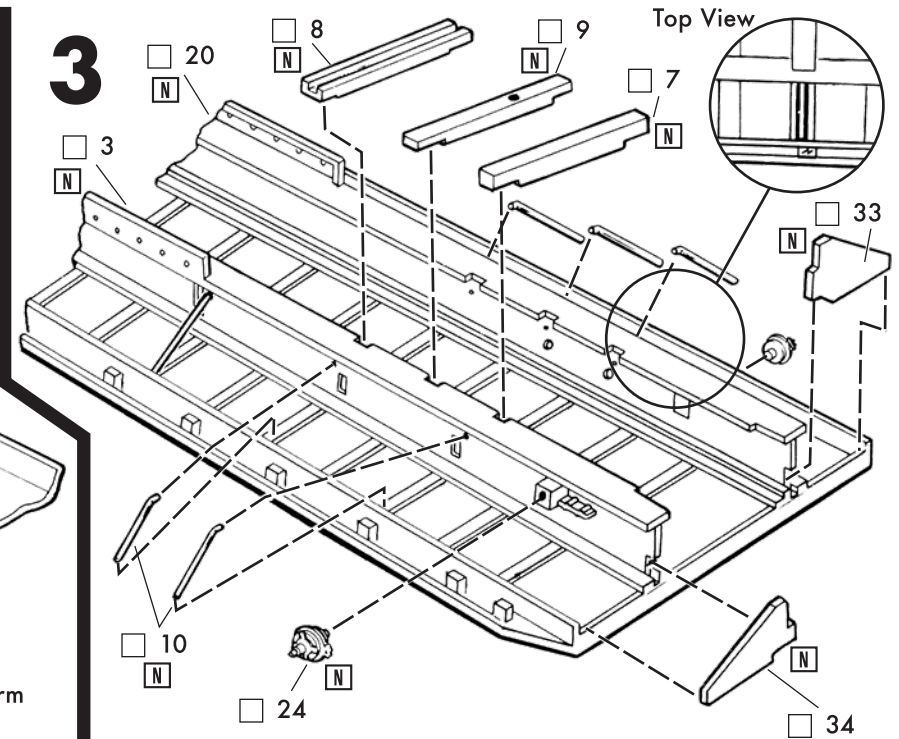
Cement rear crossmember assembly (1) to rear platform (63) as shown.

2



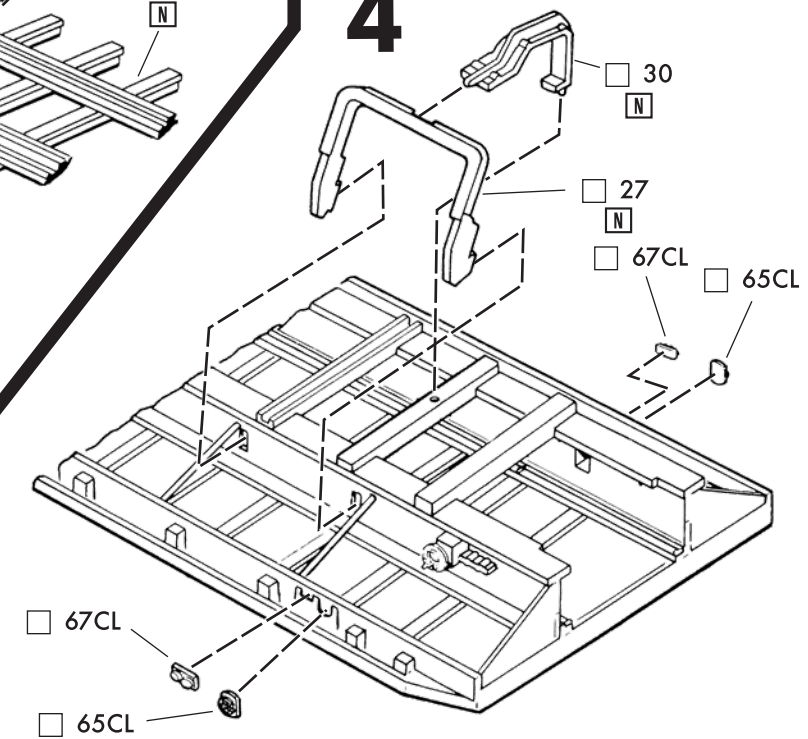
Glue rear substructure (64) to rear platform (63) as shown. Now glue bumper channel (6) into place. Glue light mount plates (12) into position. Glue rear frame webs (3) and (20) into place.

3



Glue rear frame crossmembers (7), (8) and (9) into position exactly as shown. Next glue outrigger plates (33) and (34) into position. Glue the six outrigger braces (10) into place. Carefully glue the lock pin air release chambers (24) into place as shown.

4



Glue the spare tire frame (27) into place. Now add the spare tire brace (30). Glue lights and reflections into place as shown.

NOTE: Spare tire may be assembled and inserted into spare tire frame BEFORE frame is glued into place for an easier fit. (*See Step 10 for tire assembly)