

MiG-21MF fighter-bomber

eduard

SOVIET SUPERSONIC FIGHTER

1/72 SCALE PLASTIC KIT

ProfiPACK
edition

#70142



INTRO

The MiG-21 was one of a long list of Mikoyan-Gurevich products to be integrated into the armed forces of the Soviet Union, the Warsaw Pact, and allied client states. Its predecessors included such notable types as the MiG-15, MiG-17 and the supersonic MiG-19. The roots of this project reach back to the first half of the fifties. In 1954, the Ye-1 project came to an end, and was quickly picked up by the Ye-2. Both had a swept wing. The first machine to feature the delta wing was the Ye-4, which first took to the air on June 16th, 1955. It was also demonstrated a year later at the Moscow airfield Tushino. The first of the new line to enter production was the MiG-21F, which together with the MiG-21P and F-13 represented the first generation of the MiG-21, and was in production through the end of the fifties and the beginning of the sixties. Subsequent versions included the PF, FL, PFM, R the production of which peaked at the end of the sixties. The third generation started production in 1968, which included such versions as M, SM, MF, SMT, bis among others. Simultaneously, two-seat training versions were also produced designated MiG-21U, UM and US. Production of the MiG-21 ended in 1985, and was put into service with some fifty nations. Over the course of the cold war, the opponents of the MiG-21 included the likes of the Northrop F-5 Freedom Fighter and the Dassault Mirage III. NATO assigned it the reporting name 'Fishbed'. It became the most produced supersonic fighter in terms of quantity. The new machines came off Soviet production lines in Moscow, Gorky and Tbilisi. The MiG-21F-13 was also built under license in Czechoslovakia and the MiG-21FL, M and bis in India by Hindustan Aeronautics Ltd. The Soviet Union produced 10,645 examples of all versions, 194 were built in Czechoslovakia and 657 in India. Outside of the Soviet Union, the type flew with a long list of nations on all continents with the exception of Australia. The MiG-21 participated in combat in Vietnam, the Indo-Pakistan wars, the Cuban participation in Angola and in the Arab world's attempt to eliminate Israel. Thanks to the high volume of use, the highest number of aces produced on the type was in Vietnam. The top of the ladder is occupied by Nguyen Van Coc with nine kills. The type serving as a interceptor served with the Soviet Union and other nations of the Warsaw Pact into the eighties, when it began to be displaced by the MiG-29 Fulcrum.

This kit allows you to build a model of the MiG-21MF that was built in the factory in Moscow between 1969 and 1974 (around 1300 units having been produced) and represented the most common variant of this sub-type. Later production airframes built at Gorky (between 1975 and 1976), differed in many details from the aircraft built at Moscow. The vast majority of exported aircraft came from the Moscow production facility. At first, these left the factory in natural metal and from 1973 in camouflage schemes specific to the client state. The MiG-21SM was at first sight virtually identical to the MiG-21MF, only differing in the better RP-22 radar unit. This version was used exclusively by the Soviet Union and was never cleared for export.

MiG-21MFs were powered by Tumanskij R-13-300 turbojet engine with additional combustion chamber and carried an RP-21 radar. The armament constituted of a twin-barreled GSch-23-2L 23mm autocannon with 200 rounds of ammunition. The racks carried a combination of FAB bombs with 500kg warhead, UB-16-57U launchers and R-3S rockets, Ch-66, S-24, including R-60 air-to-air missile and its infrared homing variant R-60M. The NATO code for MiG-21MFs was "Fishbed-J".

ATTENTION

* UPOZORNĚNÍ

* ACHTUNG

* ATTENTION

* 注意



Carefully read instruction sheet before assembling. When you use glue or paint, do not use near open flame and use in well ventilated room. Keep out of reach of small children. Children must not be allowed to suck any part, or pull vinyl bag over the head.



Před započítím stavby si pečlivě prostudujte stavební návod. Při používání barev a lepidel pracujte v době větrané místnosti. Lepidla ani barvy nepoužívejte v blízkosti otevřeného ohně. Model není určen malým dětem, mohlo by dojít k požití drobných dílů.

INSTRUCTION SIGNS * INSTR. SYMBOLY * INSTRUKTION SINNBILDEN * SYMBOLES * 記号の説明

OPTIONAL
VOLBABEND
OHNOUTOPEN HOLE
VYVRTAT OTVORSYMETRICAL ASSEMBLY
SYMETRICKÁ MONTÁŽREMOVE
ODRŽNOUTREVERSE SIDE
OTOČITAPPLY EDUARD MASK
AND PAINT
POUŽIT EDUARD MASK
NABARVIT

PARTS

* DÍLY

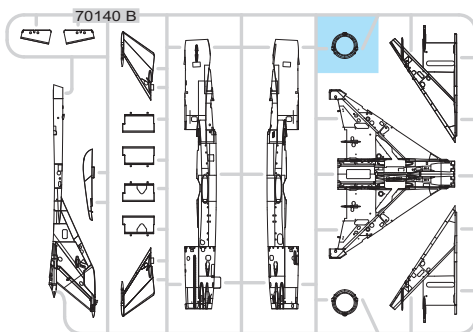
* TEILE

* PIÈCES

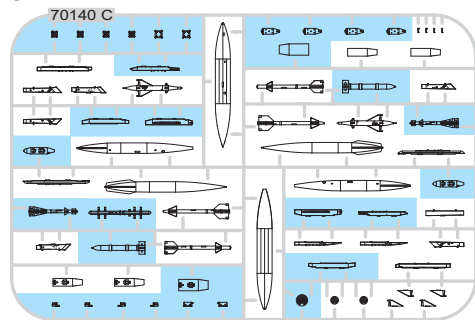
* 部品

PLASTIC PARTS

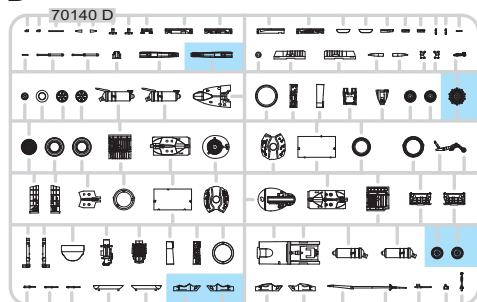
B>



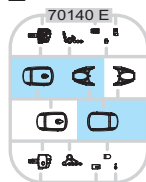
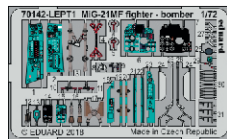
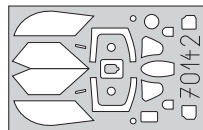
C>



D>



E>

PE - PHOTO ETCHED
DETAIL PARTSeduard
MASK

-Parts not for use. -Teile werden nicht verwendet. -Pièces à ne pas utiliser. -Tyto díly nepoužívejte při stavbě. - 使用しない部品

COLOURS

* BARVY

* FARBEN

* PEINTURE

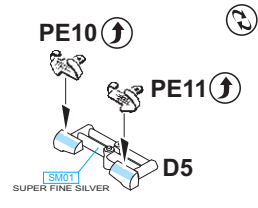
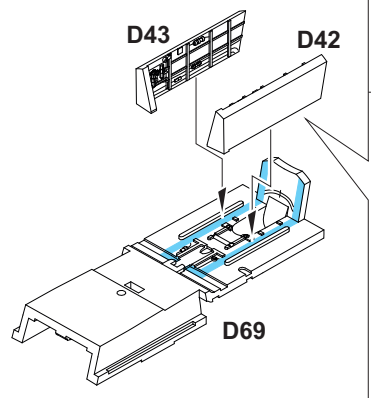
* 色

GSI Creos (GUNZE)		MISSION MODELS	
AQUEOUS	Mr.COLOR	PAINTS	
H1	C1	MMP-001	WHITE
H3	C3	MMP-003	RED
H4	C4	MMP-007	YELLOW
H5	C5	MMP-048	BLUE
H6	C6	MMP-004	GREEN
H11	C62	MMP-001	FLAT WHITE
H12	C33	MMP-047	FLAT BLACK
H26	C66		BRIGHT GREEN
H27	C44		TAN
H35	C80		COBALT BLUE
H47	C41	MMP-012	RED BROWN
H51	C11	MMP-063	LIGHT GULL GRAY
H53	C13		NEUTRAL GRAY
H67	C118	MMP-057	RLM65 LIGHT BLUE
H71	C21	MMP-078	MIDDLE STONE
H77	C137	MMP-040	TIRE BLACK

GSI Creos (GUNZE)		MISSION MODELS	
AQUEOUS	Mr.COLOR	PAINTS	
H54	C42		MAHOGANIY
H60	C47		CLEAR RED
H64	C138		CLEAR GREEN
H302	C302		GREEN
H303	C303	MMP-066	GREEN
H305	C305	MMP-084	GRAY
H306	C306	MMP-118	MEDIUM GRAY
H308	C308	MMP-073	GRAY
H332	C332		LIGHT AIRCRAFT GRAY
	C34		SKY BLUE
Mr.METAL COLOR		METALLICS	
Mc213		MMM-006	STEEL
Mc214		MMM-001	DARK IRON
Mc218		MMM-003	ALUMINIUM
Mr.COLOR SUPER METALLIC		METALLICS	
SM01		MMC-001	SUPER CHROME

- MARKINGS A, B, C**
H83 MMP C11 063 LIGHT GULL GRAY
- MARKING D**
H11 MMP C62 001 FLAT WHITE
- MARKING E**
H70 MMP C60 056 GRAY

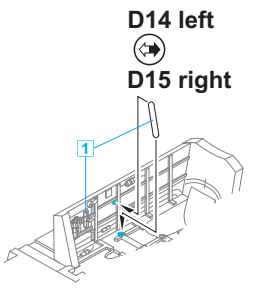
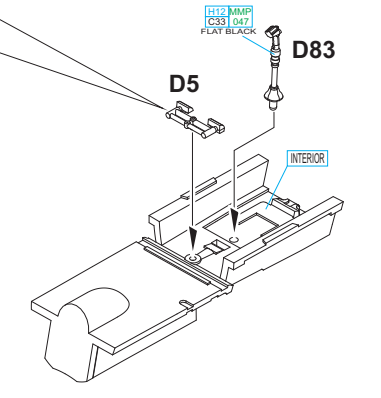
1 =



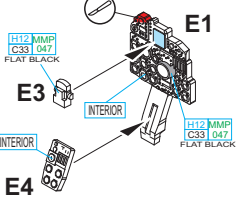
INTERIOR COLOUR BARVA INTERIÉRU

INTERIOR

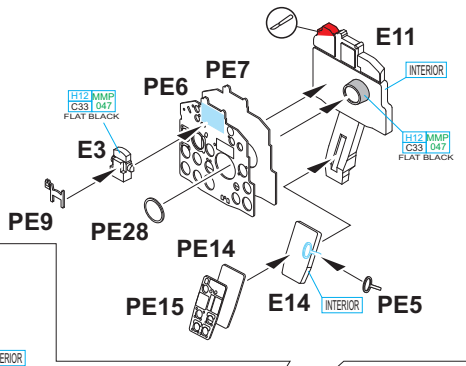
60% C34 SKY BLUE + 20% C66 BRIGHT GREEN + 20% C60 COBALT BLUE



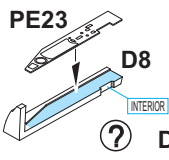
OPTIONAL: decal 36



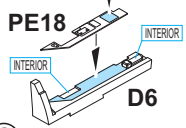
OPTIONAL: decal 30



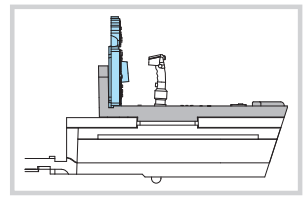
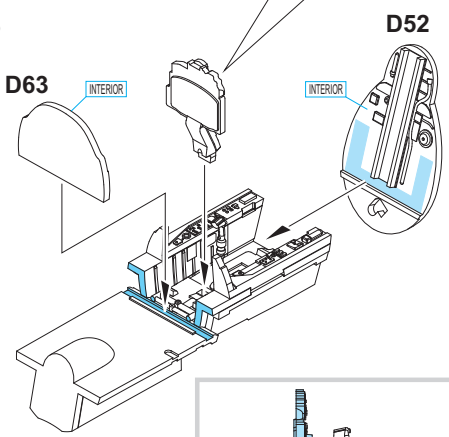
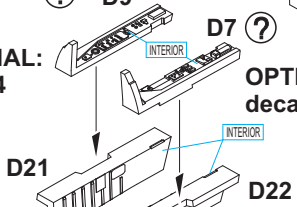
PE8

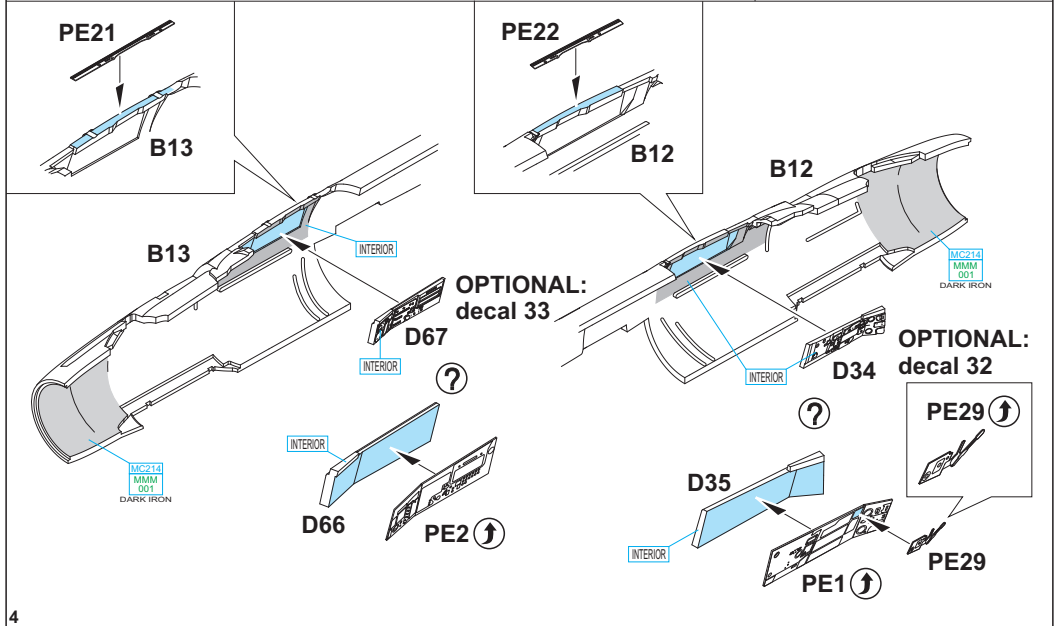
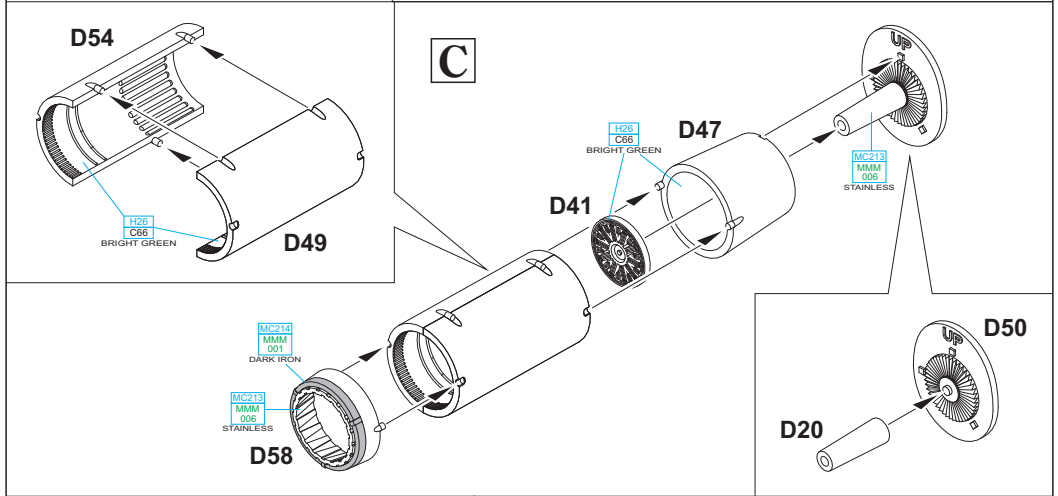
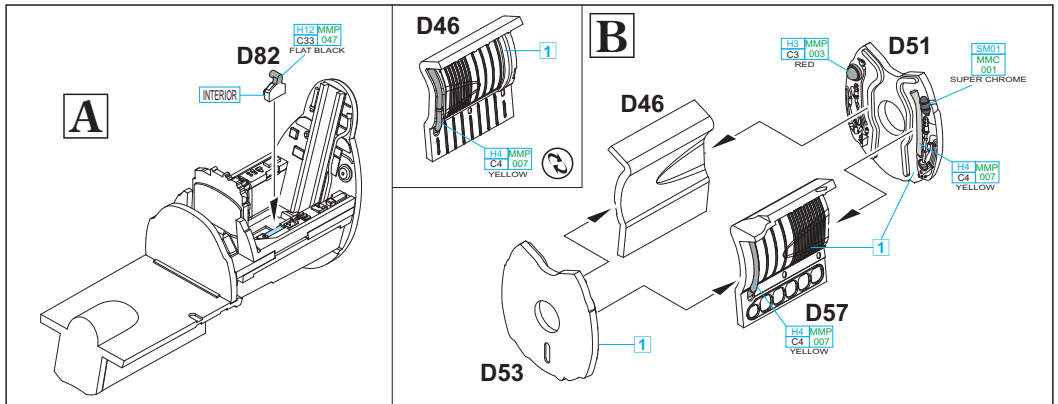


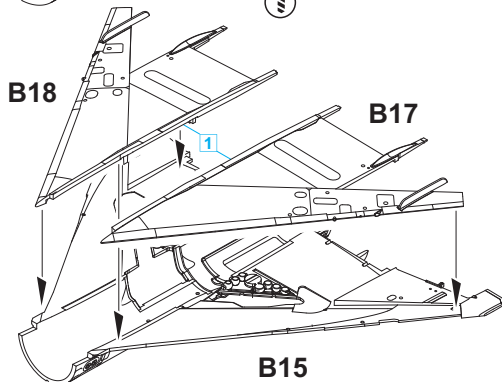
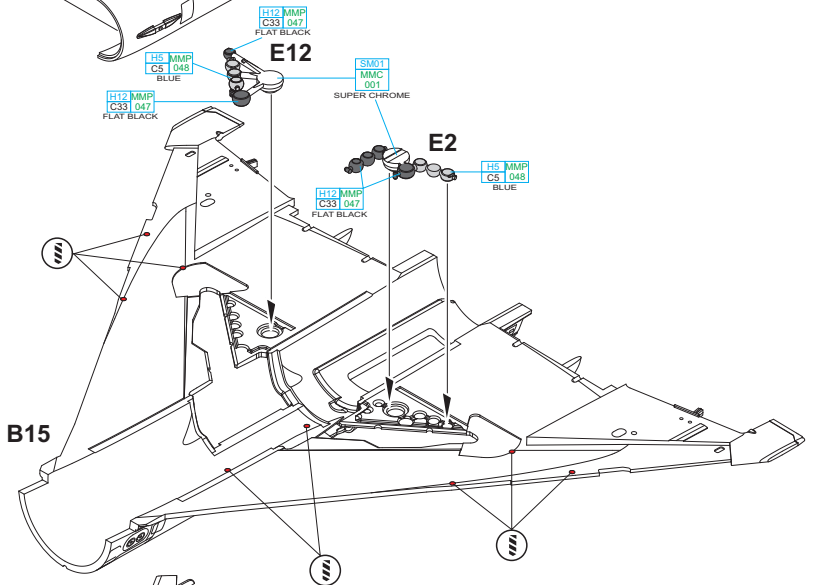
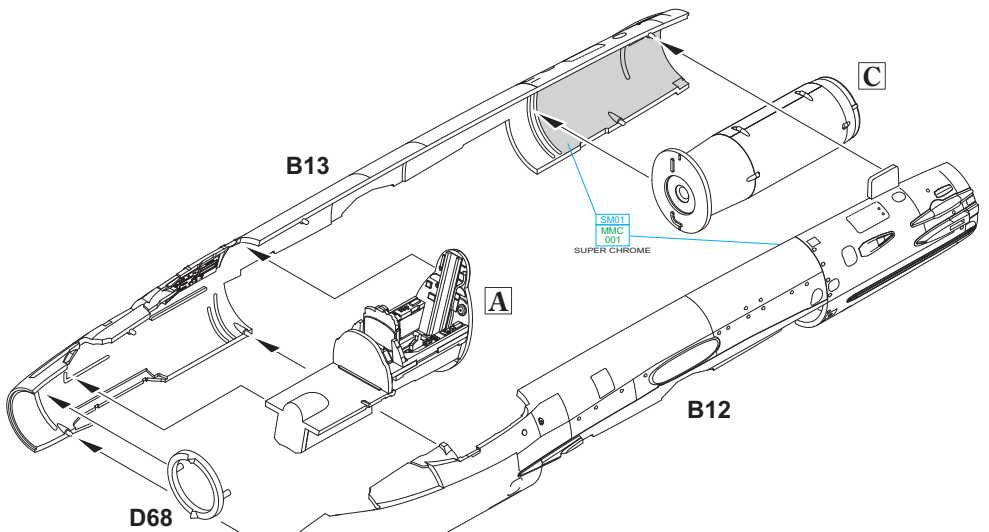
OPTIONAL: decal 34

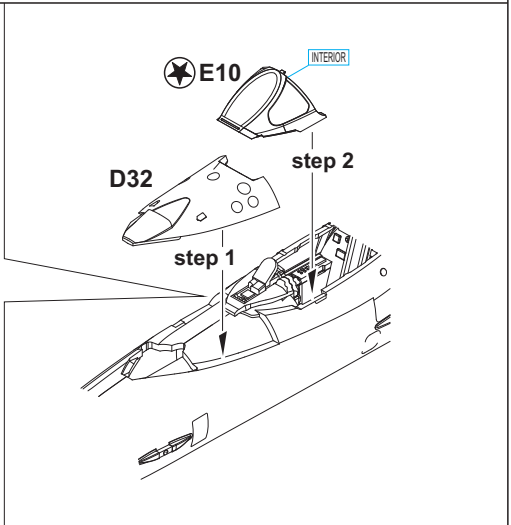
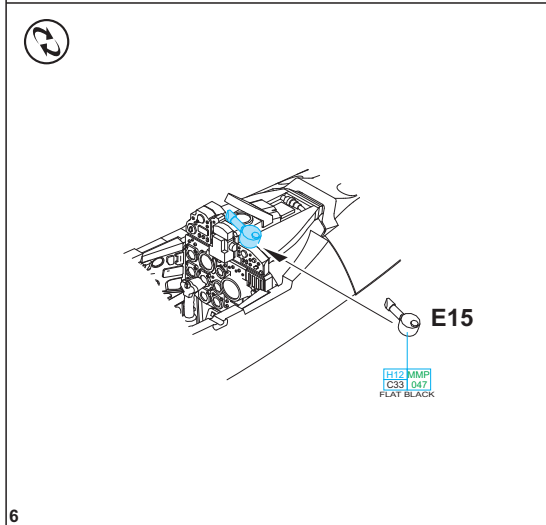
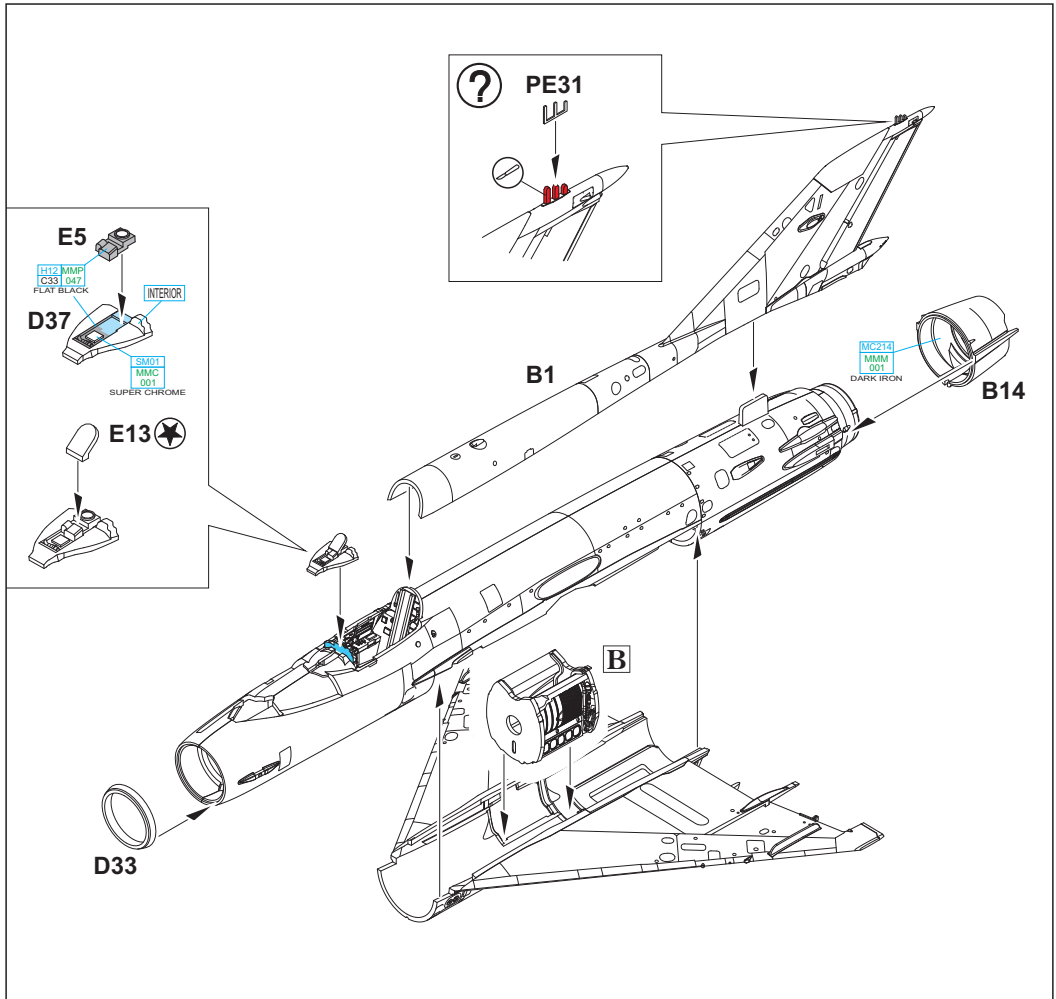


OPTIONAL: decal 31









D17

MC214
KRM1
001
DARK IRON

D18

CLOSED air brake

D48

OPEN air brake

B2

D55

D4
SM01
MMC
001
SUPER CHROME

D3

D3

D11

D4

SM01
MMC
001
SUPER CHROME



L

D39

H27 MMP
CT37 040
TIRE BLACK



H26
C66
BRIGHT GREEN

D44

H26
C66
BRIGHT GREEN

D30

BRIGHT GREEN

R

D30

H27 MMP
CT37 040
TIRE BLACK



H26
C66
BRIGHT GREEN

D44

H26
C66
BRIGHT GREEN

D38

BRIGHT GREEN

28°



D79 ↔ D78

D79

D26

D79

D61

3

D26

SM01
MMC
001
SUPER CHROME

3



D78

D25



3

D25

3

D78

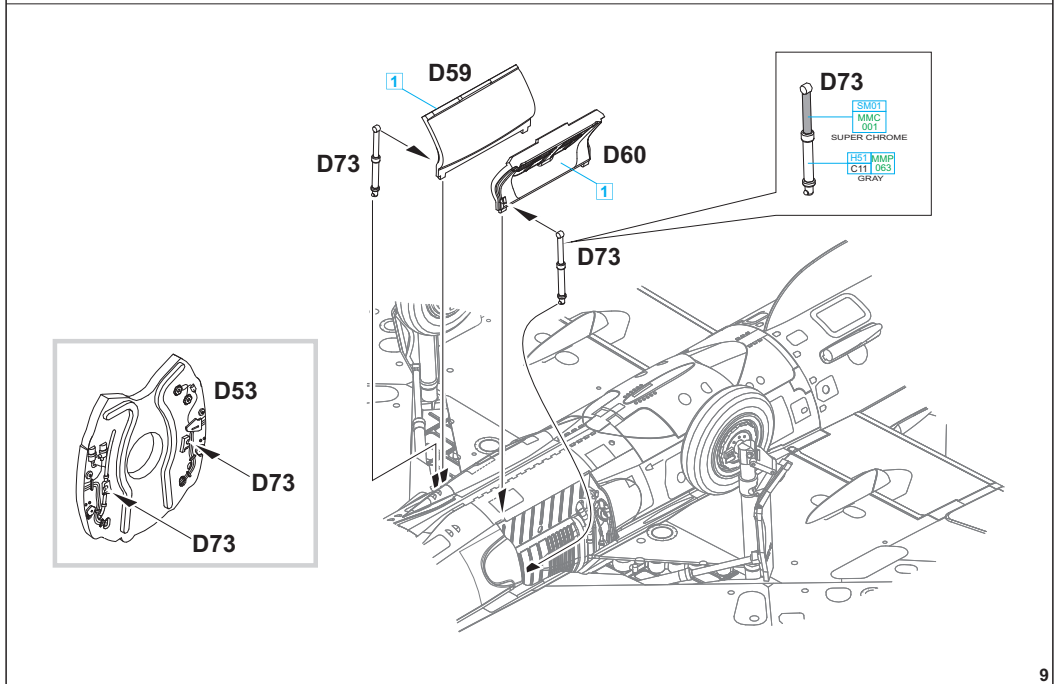
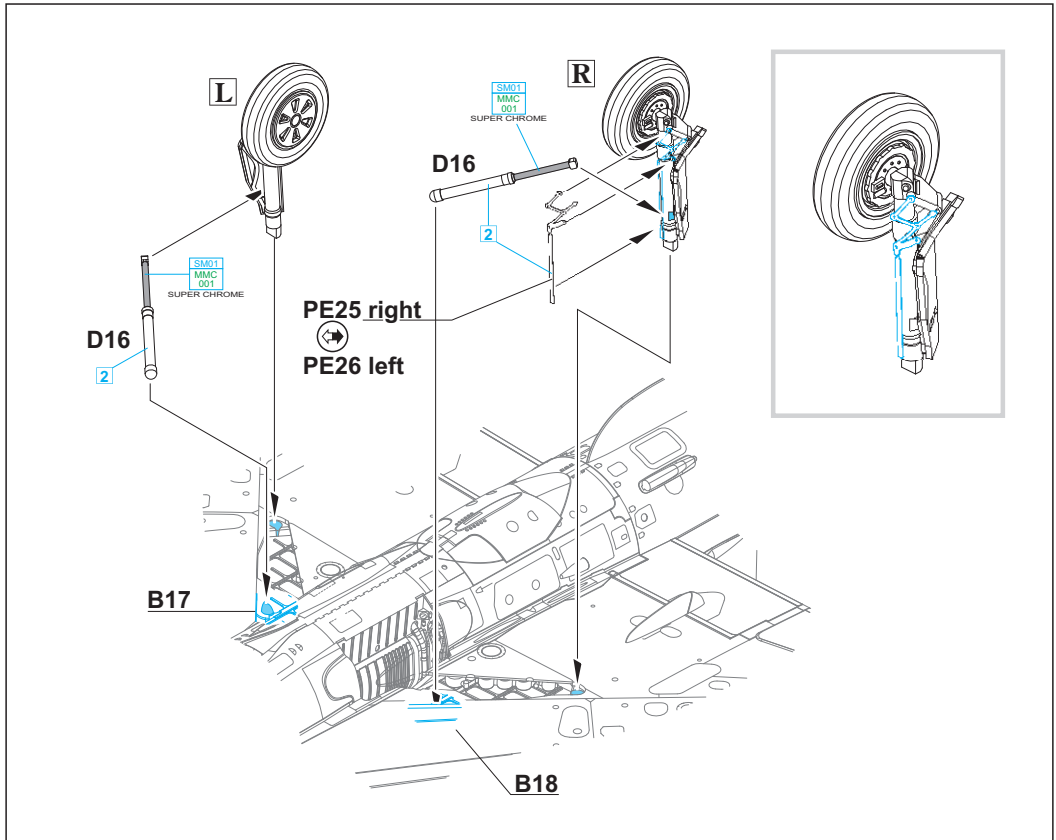
SM01
MMC
001
SUPER CHROME

D62

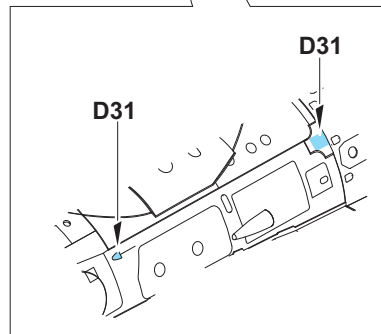
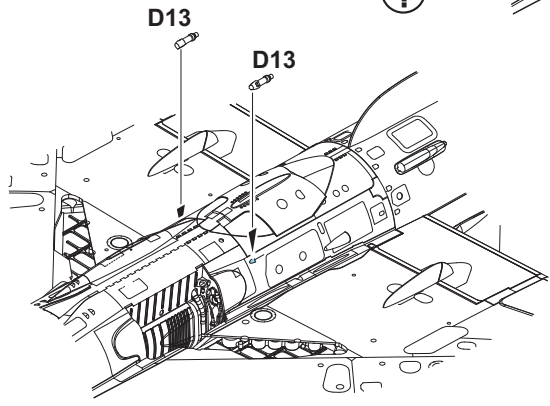
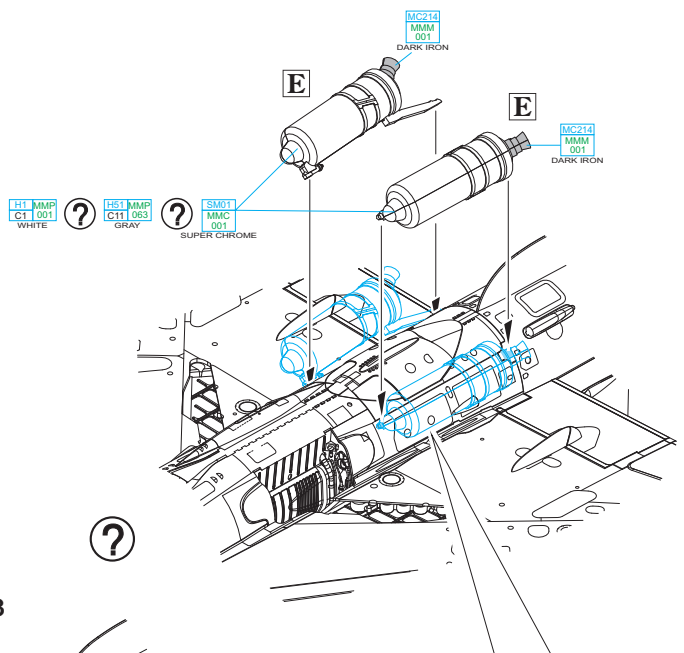
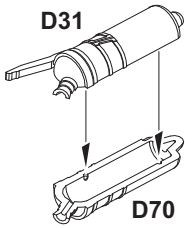
3

D62

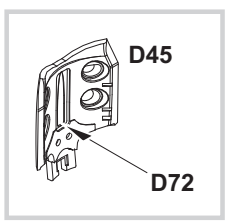
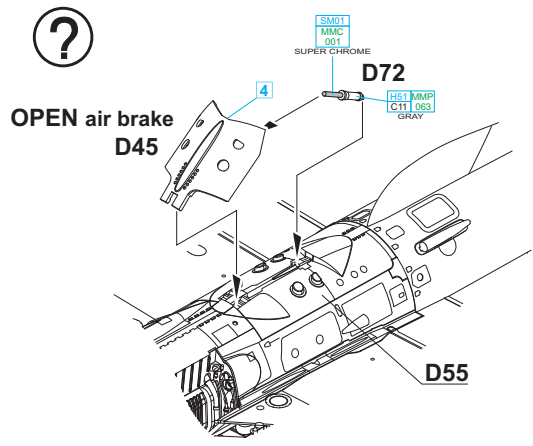
3 = H21 MMP CT1 063 LIGHT GULL GRAY
H11 MMP C62 001 FLAT WHITE
- MARKINGS A;B;C;E
- MARKING D

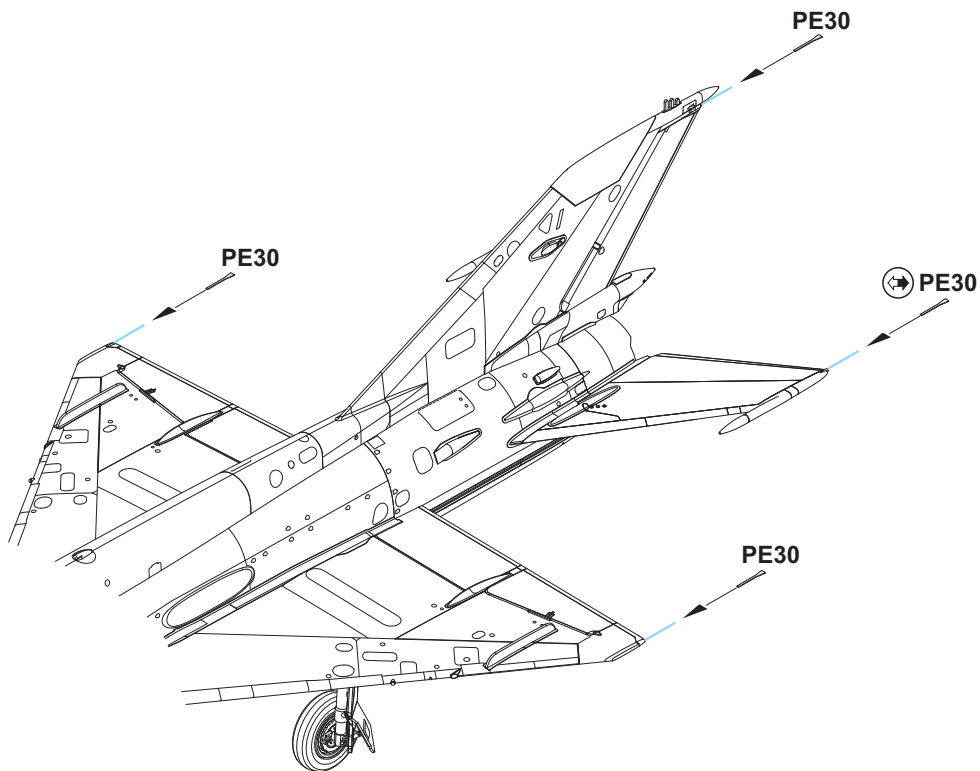


E 2 pcs.



- 4** =
- H51 MMP C11 063 - MARKINGS A;D
LIGHT GULL GRAY
 - H57 MMP C115 057 - MARKINGS B;C
LIGHT BLUE
 - H4 MMP C4 007 - MARKING E
YELLOW



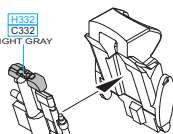


F



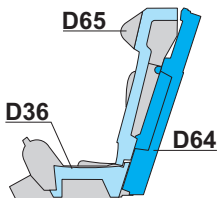
D65

H392
C392
LIGHT GRAY



D64

H53
C13
NEUTRAL GRAY



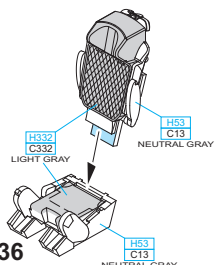
D65

D36

D36

H392
C392
LIGHT GRAY

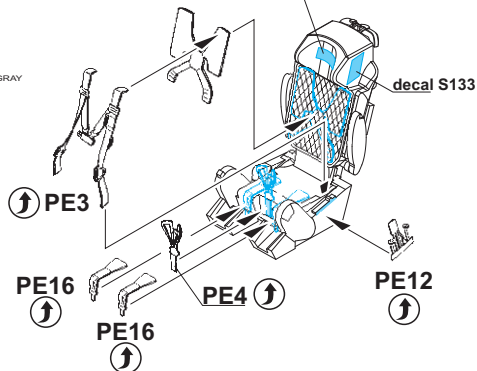
H53
C13
NEUTRAL GRAY



H53
C13
NEUTRAL GRAY

decal S132

PE17



decal S133

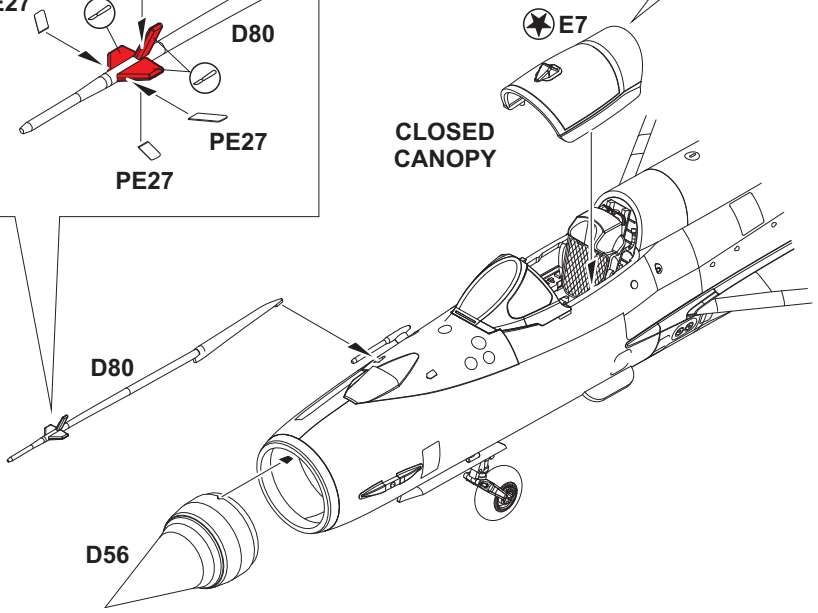
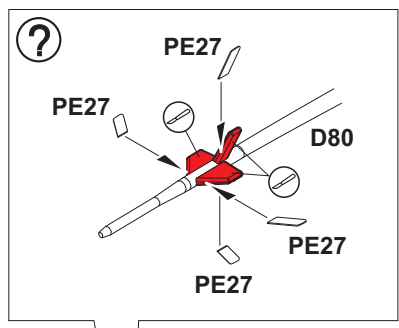
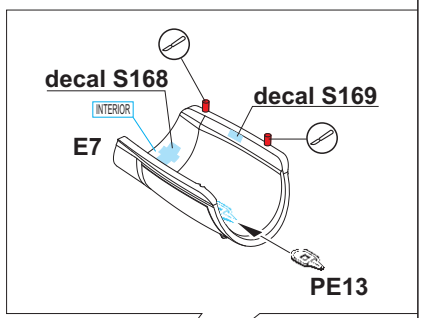
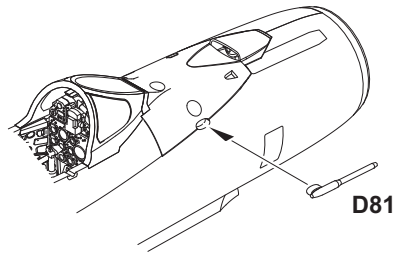
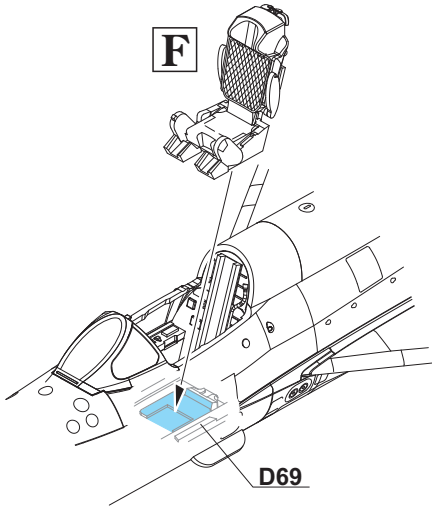
⤴ **PE3**

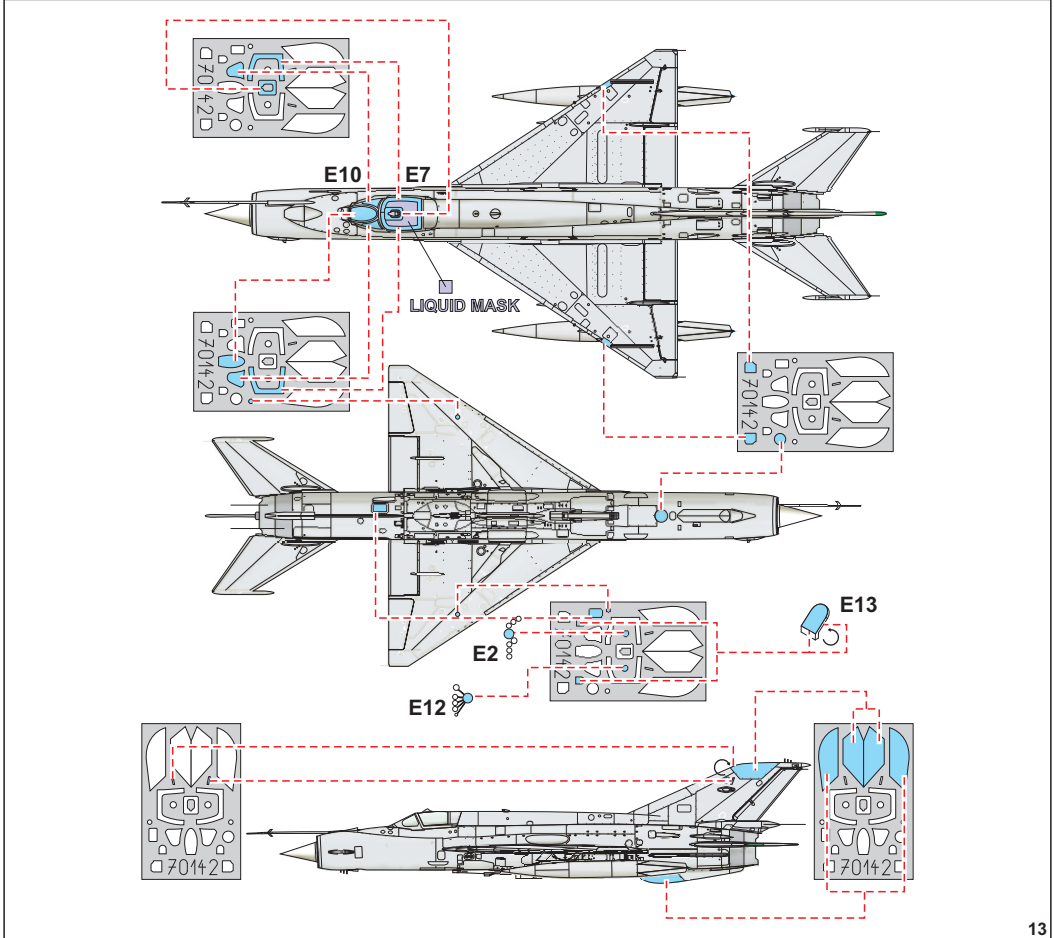
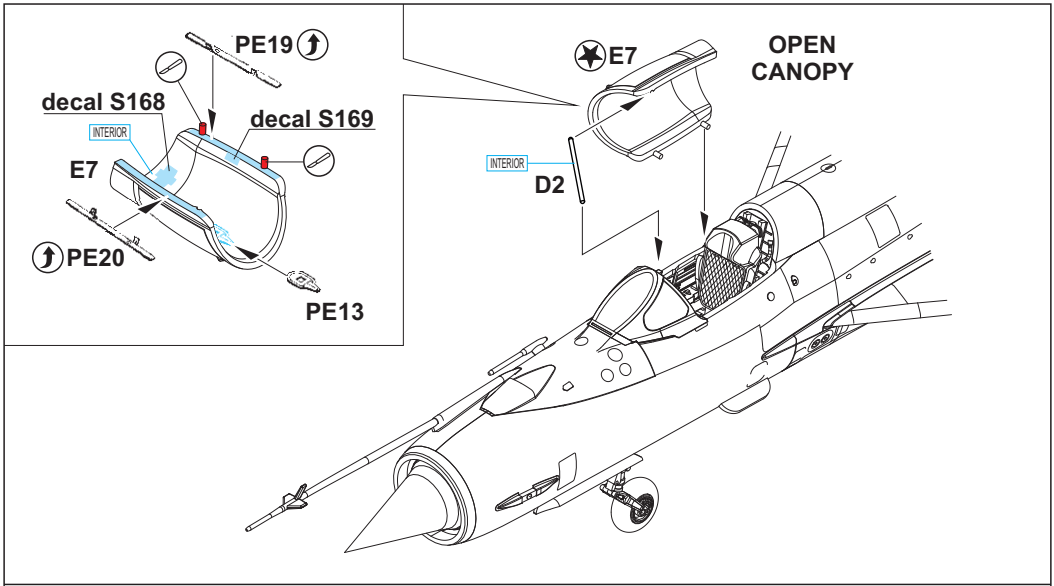
⤴ **PE16**

⤴ **PE16**

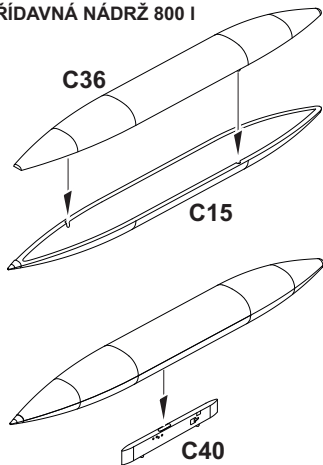
⤴ **PE4**

⤴ **PE12**

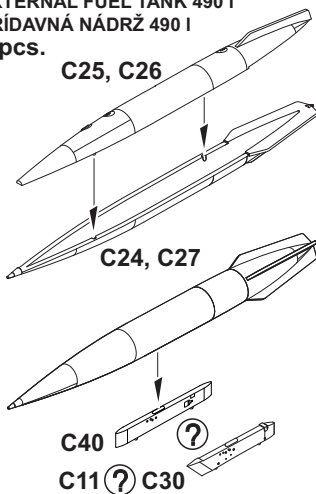




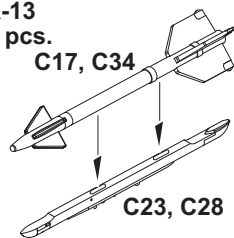
**EXTERNAL FUEL TANK 800 I
PŘÍDAVNÁ NÁDRŽ 800 I**



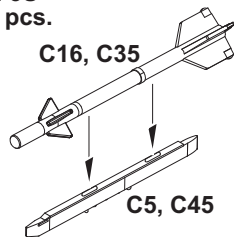
**EXTERNAL FUEL TANK 490 I
PŘÍDAVNÁ NÁDRŽ 490 I**
2 pcs.



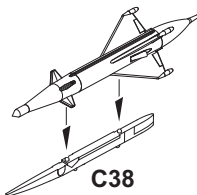
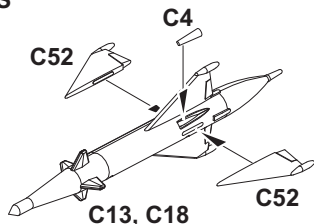
R-13
2 pcs.



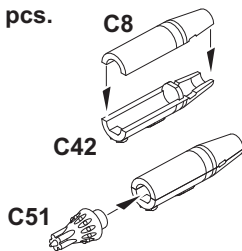
R-3S
2 pcs.



RS-2US
2 pcs.



UB-16
2 pcs.



**EXTERNAL FUEL TANK PYLONS
ZÁVĚSNÍK
PŘ. NÁDRŽE**
C30

UNDERSURFACE
COLOR

C21

**EXTERNAL FUEL TANK PYLONS
ZÁVĚSNÍK
PŘ. NÁDRŽE**

UNDERSURFACE
COLOR

C41

**EXTERNAL FUEL TANK PYLONS
ZÁVĚSNÍK
PŘ. NÁDRŽE**
C11

UNDERSURFACE
COLOR

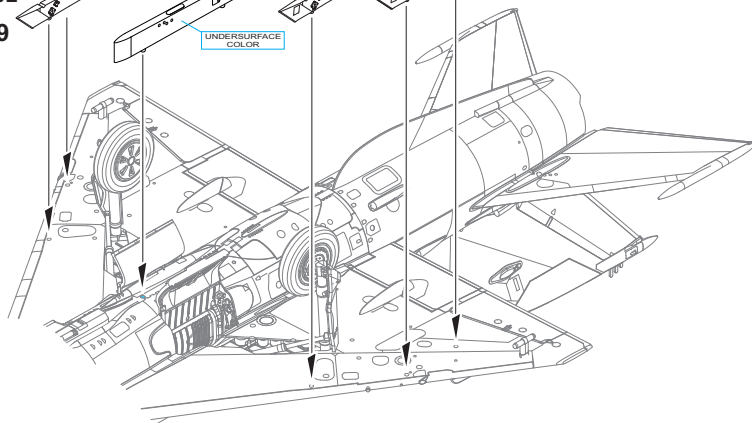
**WEAPON PYLONS
ZÁVĚSNÍK VÝZBROJE**

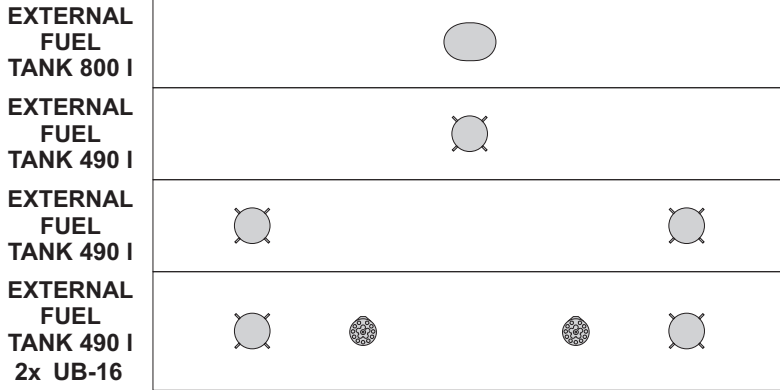
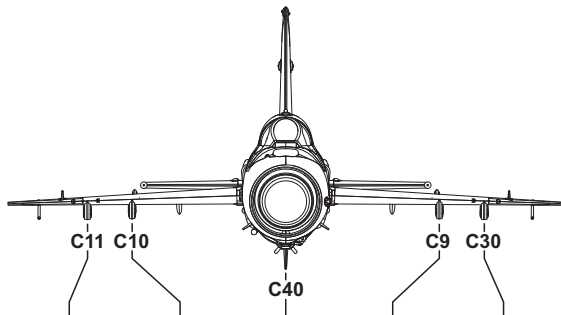
C9

C40

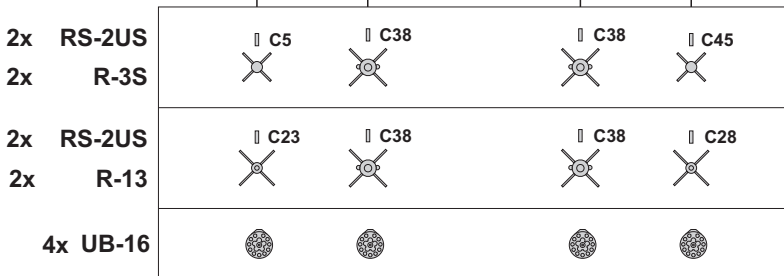
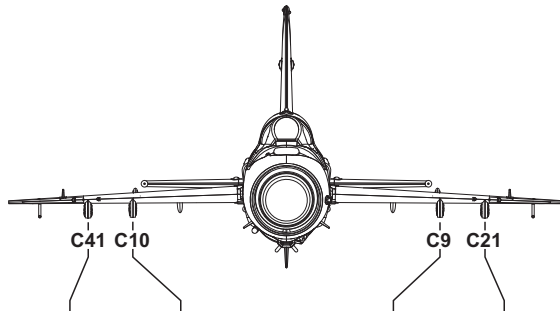
C10

**WEAPON PYLONS
ZÁVĚSNÍK VÝZBROJE**





TYPICAL ARMAMENT FOR QUICK REACTION ALERT DUTY

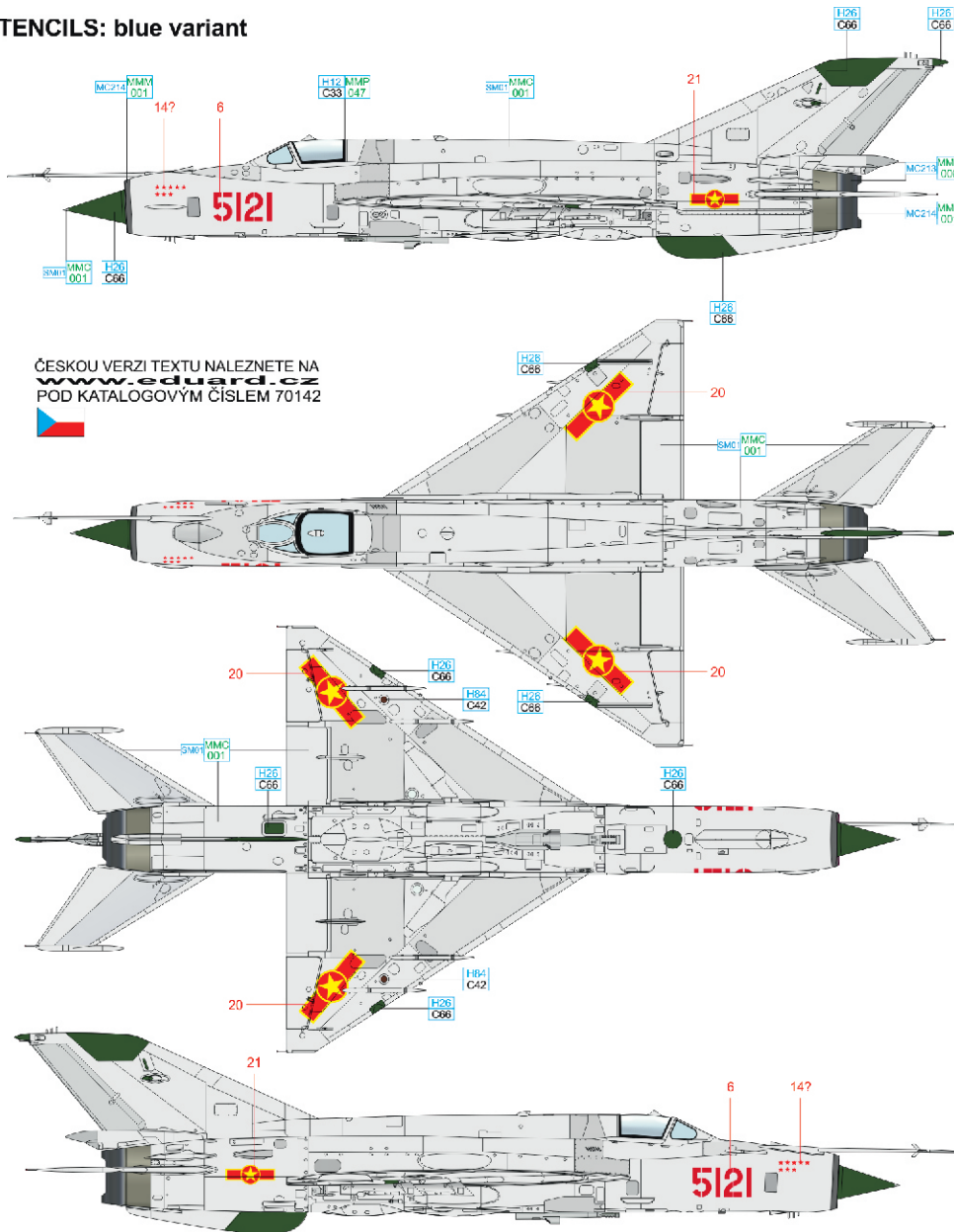


**TO CHOOSE WEAPON AND EXTERNAL FUEL TANK OPTION PLEASE FOLLOW YOUR REFERENCE.
PRO VOLBU VÝZBROJE A PŘÍDAVNÝCH NÁDRŽÍ SE DRŽTE DOKUMENTACE KONKRÉTNÍHO STROJE.**

A No. 5121, flown by Pham Tuan, 921st Fighter Regiment, Noi Bai AB, Democratic Republic of Vietnam, December 1972

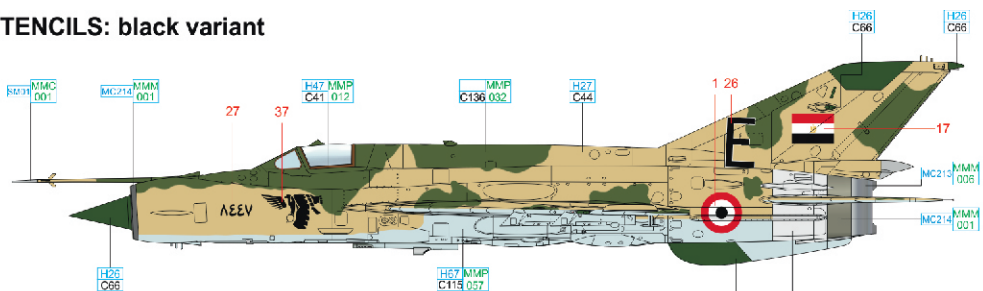
MiG-21MF coded 5121 is currently displayed in the museum of the Vietnam People's Air Force in Hanoi. Reportedly, on December 27th, 1972, Pham Tuan flew this aircraft when he shot down an American B-52 taking part in bombing operations during the Linebacker II offensive. It would be the only MiG-21MF kill over a Stratofortress, but American sources claim the bomber was lost to a SAM. Pham Tuan would later become the only Vietnamese astronaut. He was a crewmember of Soyuz 37 and orbited the earth 142 times in the Salyut 6 station. For his accomplishments, he was awarded high Vietnamese commendations, and was one of a few foreigners to be awarded the Hero of the Soviet Union.

STENCILS: blue variant

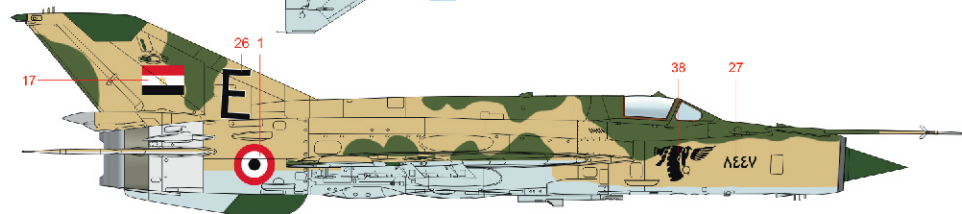
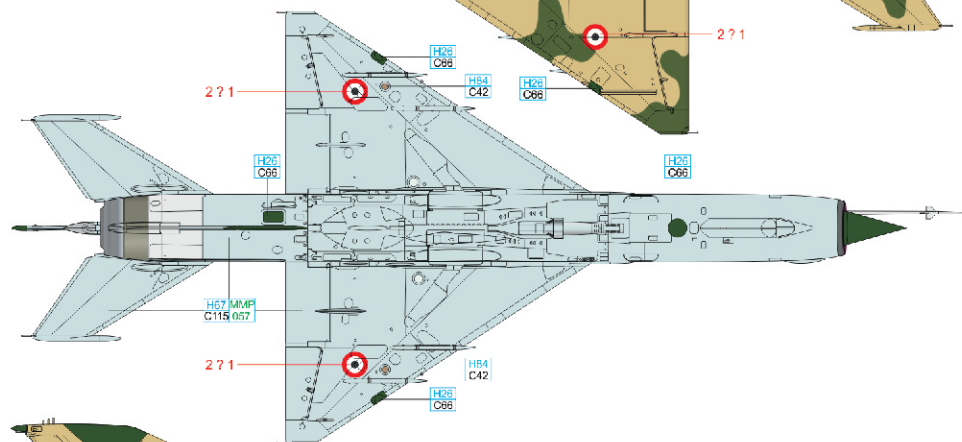
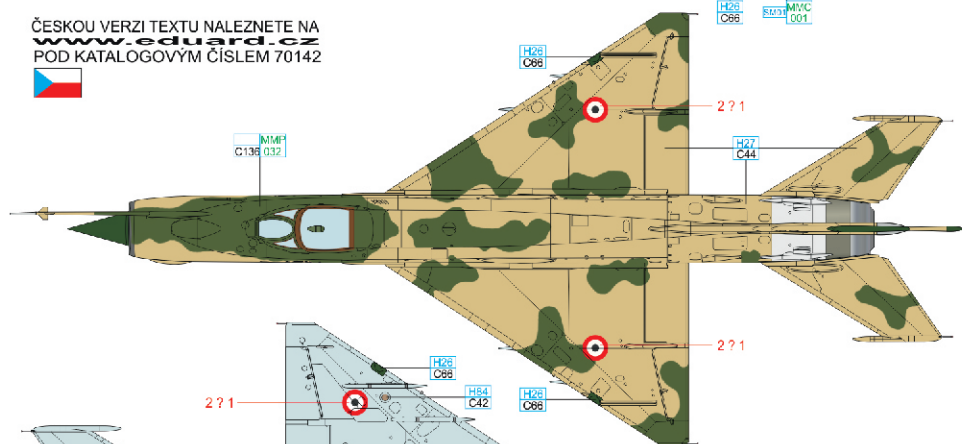


This is an aircraft from No.46 Squadron as it appeared during combat exercises prior to the Yom Kippur War in 1973. For the purposes of quick identification, aircraft carried a large black, outlined in white, letter on the fin. The nose carries a rendering of the goddess Nekhbet, protector of Upper Egypt. Aircraft coded 8447 survived the Yom Kippur War and was photographed in this guise at Cairo in October 1975.

STENCILS: black variant



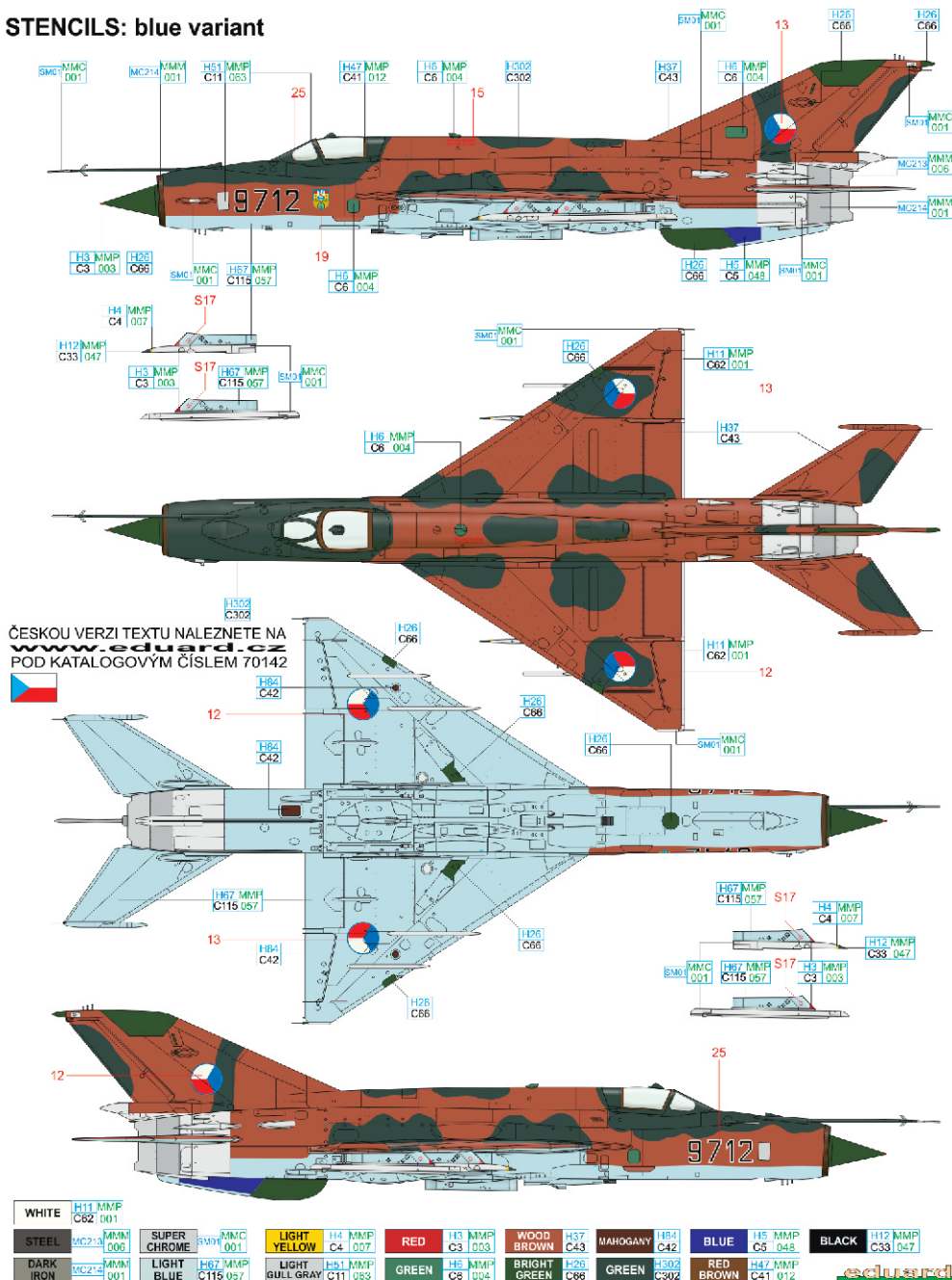
ČESKOU VERZI TEXTU NALEZNETE NA
www.eduard.cz
 POD KATALOGOVÝM ČÍSLEM 70142



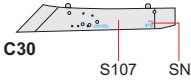
MAHOGANY	H84 C42	RED BROWN	H47 MMP C41 012	SUPER CHROME	3300 MMC 001	TAN	H27 C44	LIGHT BLUE	H67 MMP C115 057	GREEN	MMF C136 032	BRIGHT GREEN	H26 C86
STEEL	MC213 MFM 008	DARK IRON	MC214 MFM 001										

This aircraft had the serial number 969712, and was built in 1974, and subsequently delivered to Czechoslovakia. It served with the 4th Fighter Regiment at Pardubice till May 1989, at which time it was transferred to the 9th Fighter Regiment. Here, it flew with the Bechyne coat of arms on the left side of the nose. After the Velvet Divorce, this aircraft was assigned to the Slovak Air Force, and is currently in the collection of the air museum at Trencin, Slovakia. The aircraft carries a camouflage scheme as originally delivered from the Soviet Union.

STENCILS: blue variant



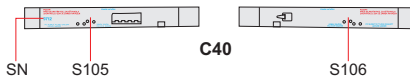
LEVÝ VNĚJŠÍ PALIVOVÝ PYLON
LEFT OUTSIDE UNDERWING TANK PYLON



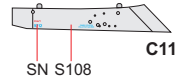
SN - SERIAL NUMBER
MALÉ NA DRÁK LETOUNU
STŘEDNÍ NA ZÁVĚSNÍKY
VELKÉ NA RAKETNICE

SN - SERIAL NUMBER
SMAL TO AIRFRAME
MEDIUM TO PYLONS
LARGE TO ROCKET LAUNCHERS

PODTRUPOVÝ PYLON
FUSELAGE PYLON



PRAVÝ VNĚJŠÍ PALIVOVÝ PYLON
RIGHT OUTSIDE UNDERWING TANK PYLON



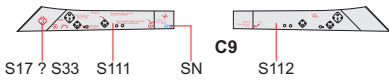
LEVÝ VNĚJŠÍ PYLON
LEFT OUTSIDE PYLON



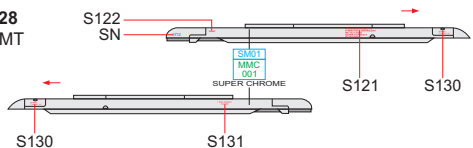
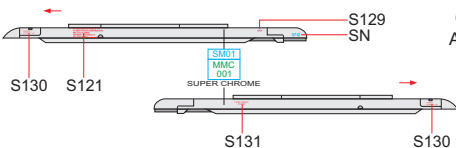
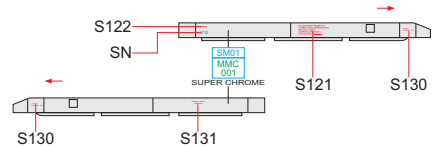
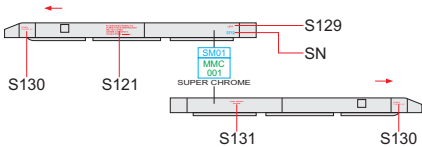
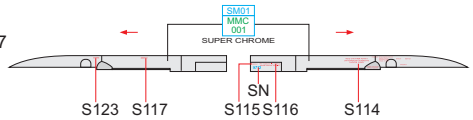
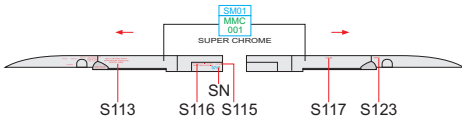
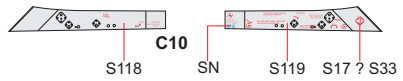
PRAVÝ VNĚJŠÍ PYLON
RIGHT OUTSIDE PYLON

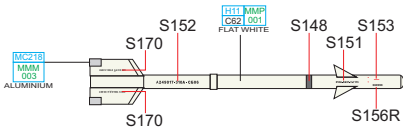
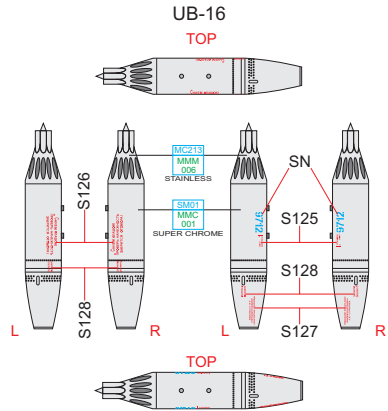
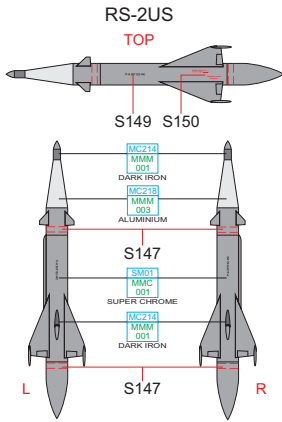
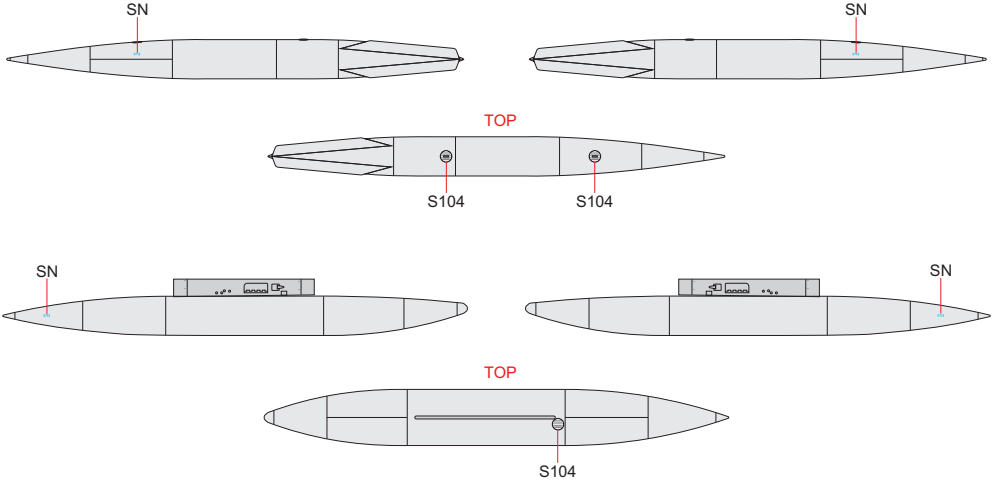


LEVÝ VNITŘNÍ PYLON
LEFT INSIDE PYLON

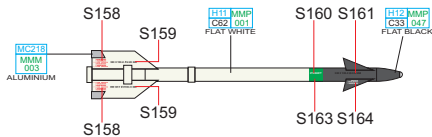
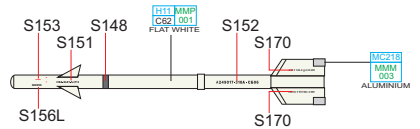


PRAVÝ VNITŘNÍ PYLON
RIGHT INSIDE PYLON

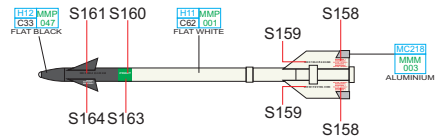


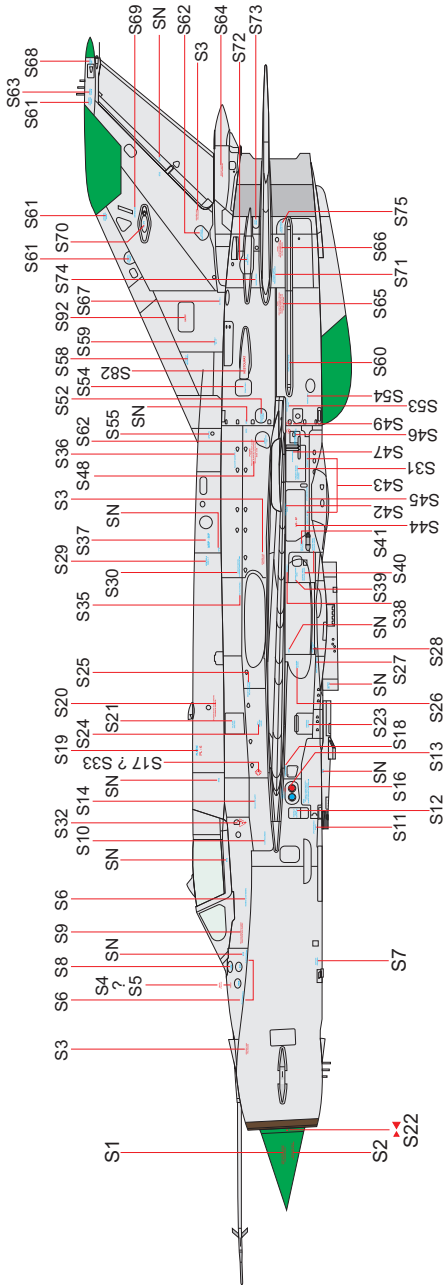


R-3S



R-13





SN - SERIAL NUMBER
 SMAL TO AIRFRAME
 MEDIUM TO PYLONS
 LARGE TO ROCKET LAUNCHERS

SN - SERIAL NUMBER
 MALÉ NA DRÁK LETOUVNU
 STŘEDNÍ NA ZÁVEŠNÍKY
 VELKÉ NA RAKETNICE

