

SPINE BOOSTER PLASTIC MODEL KIT

FOR 22" EAGLE
TRANSPORTER

This highly detailed kit features precision-tooled parts for ease of assembly, but care and patience must be exercised to achieve optimal results. It is recommended that the builder examine the instructions carefully and do a dry test fit of parts before applying liquid cement. You will find this very helpful, as it will allow you to gain a clear understanding of how the parts fit together in order to best plan painting and final assembly.

This kit should be built in sub-assemblies which will make assembly more manageable. It is very important to note that it is extremely advantageous to apply paint and decals to sub-assemblies before completing final assembly. Review photos shown on box tray for guidance.

DECAL APPLICATION:

1. Cut the desired decal from the sheet.
2. Dry fit the trimmed decal to become familiar with its correct placement.
3. Dip the decal in lukewarm water for 20-30 seconds. For best results, mix one drop of common dish washing detergent to the water.

4. Place the wet decal on paper towel and wait 30-60 seconds until the decal is movable on paper backing.

5. Wet the area of the model the decals will be applied to.

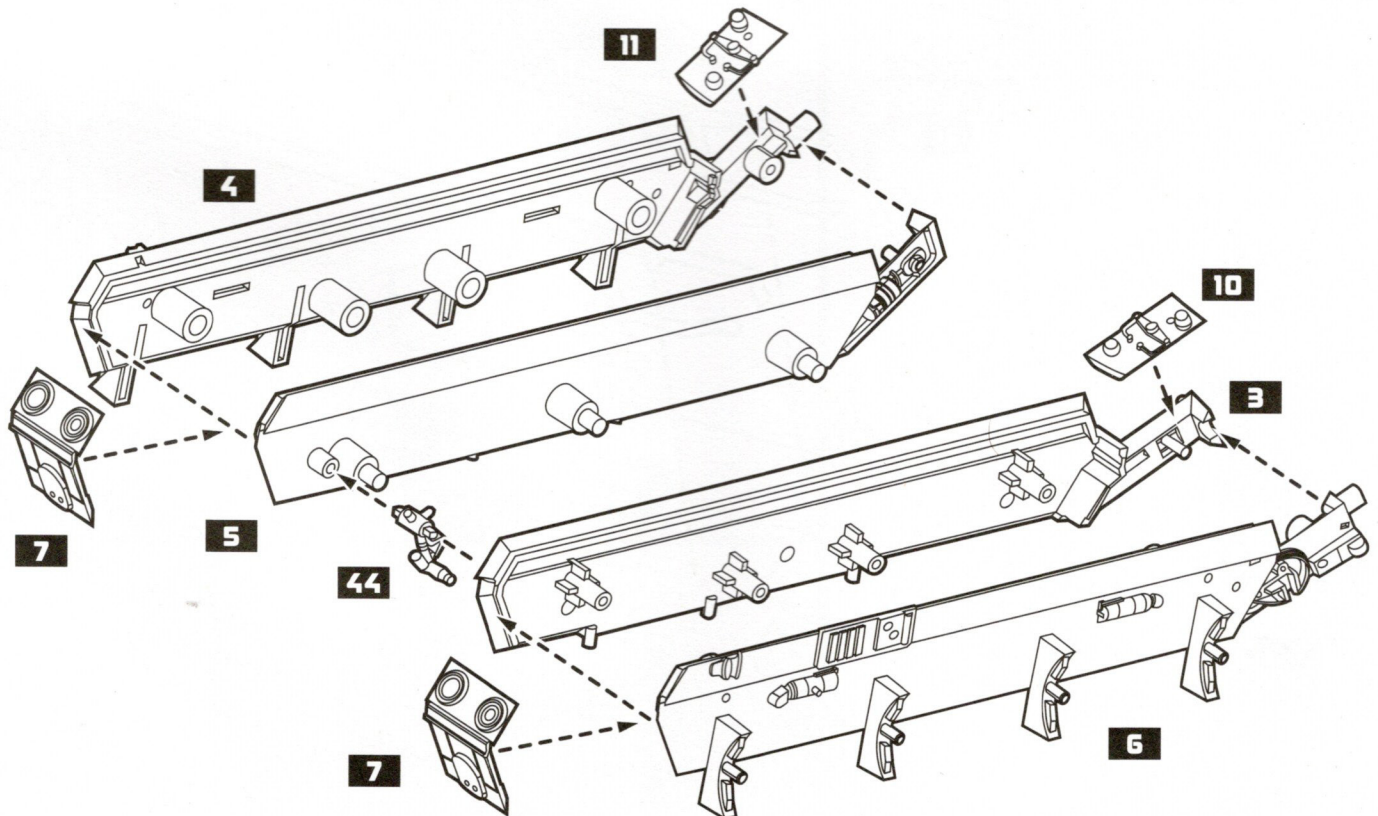
6. Hold the decal face up, in position on model and slide backing away from under it.

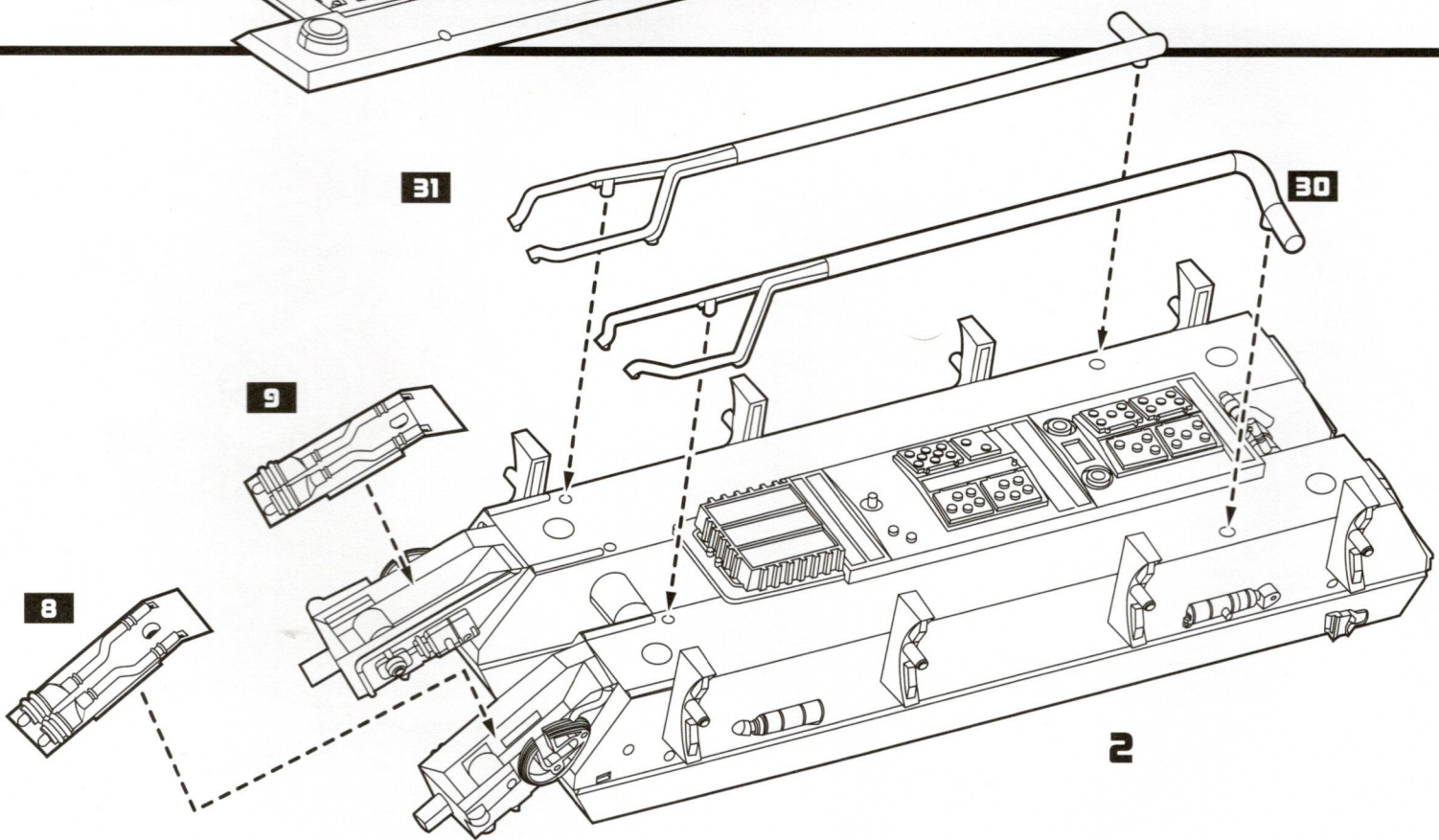
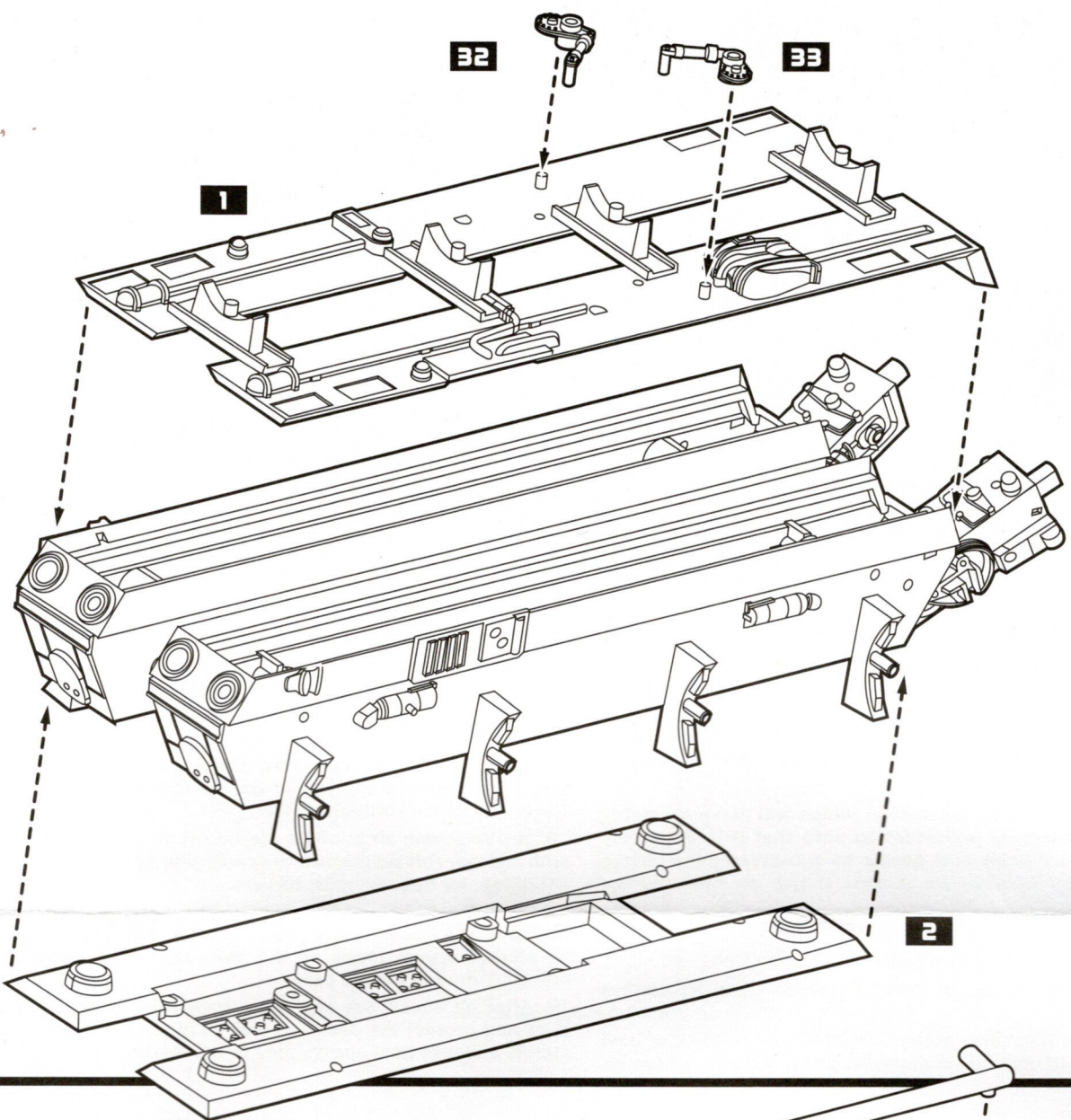
7. Once positioned correctly, absorb excess water with a paper towel. Starting in the center of the decal, blot out air bubbles toward the edges with a soft damp cloth.

8. Troublesome air bubbles can be rubbed to the edge of the decal with a clean, soft paintbrush or simply puncture the decal with a sharp #11 blade. Air bubbles must be removed before the decal dries.

9. Let decals dry completely before handling or applying more decals next to or on top of previous work. It is best not to use heat to accelerate drying times as this may crack the decals, affect their adhesive or melt plastic parts!

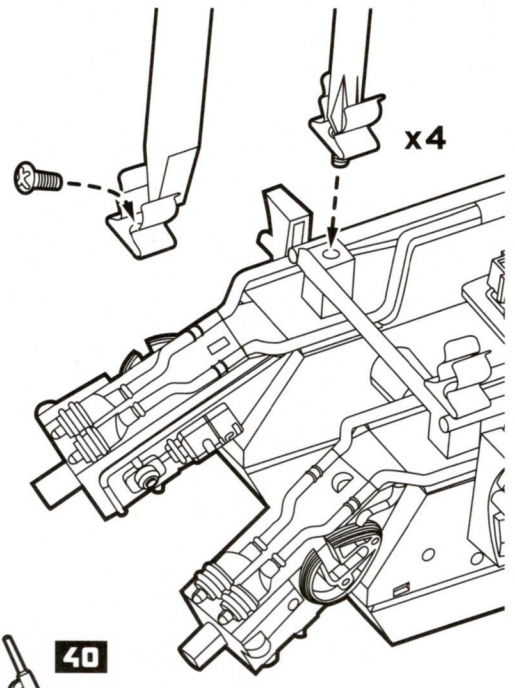
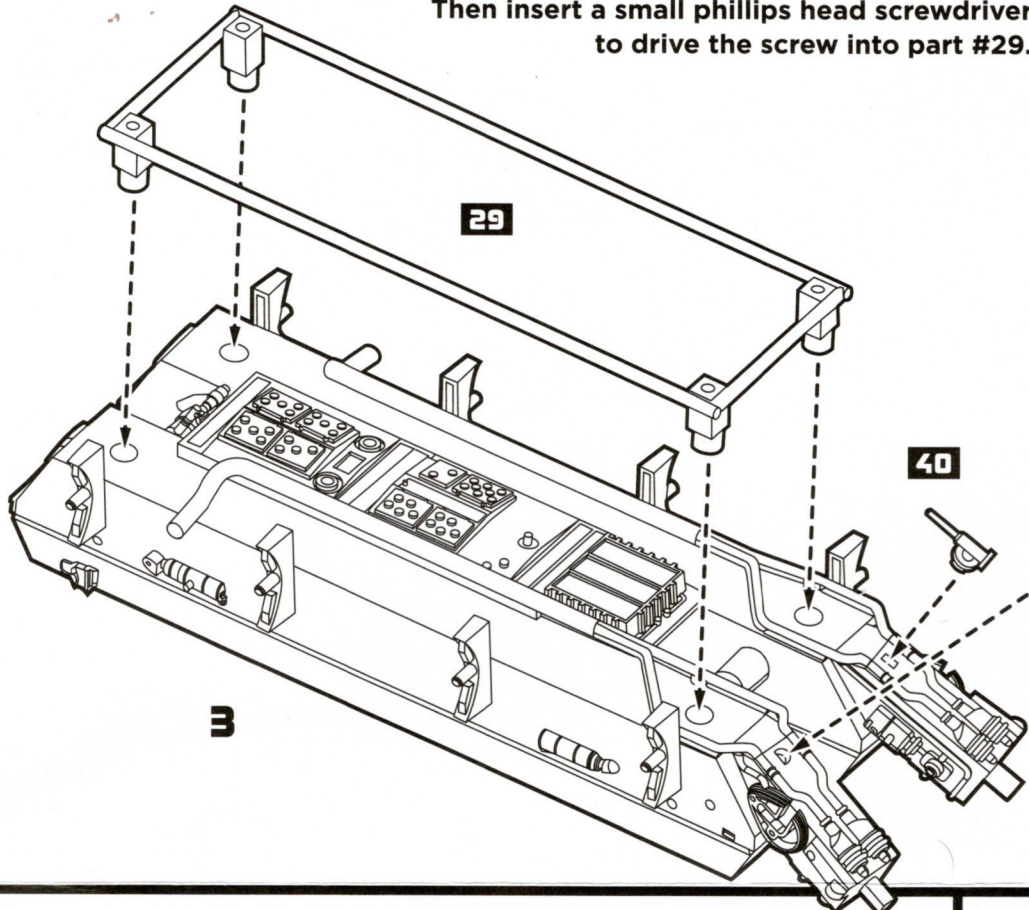
10. After all decals are applied, a spray of dull coat is suggested to bury and protect the decals as well as hide surface imperfections and supply a lifelike final appearance to the model.



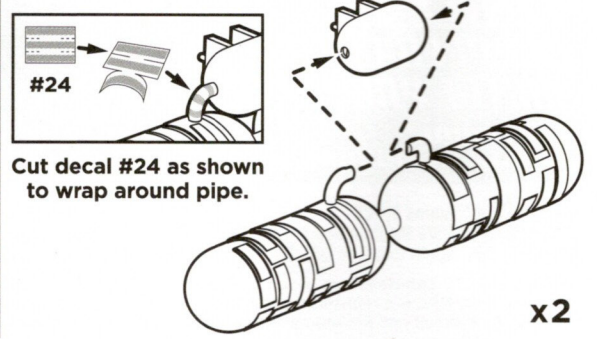
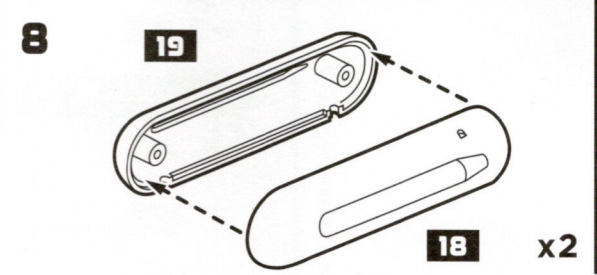
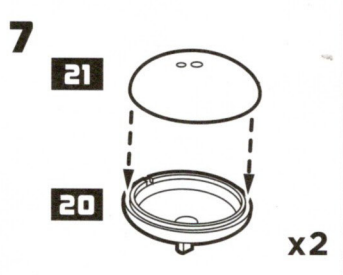
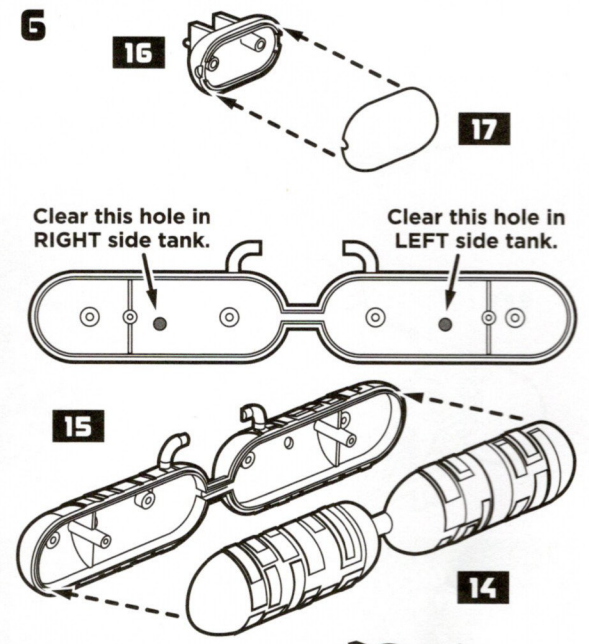
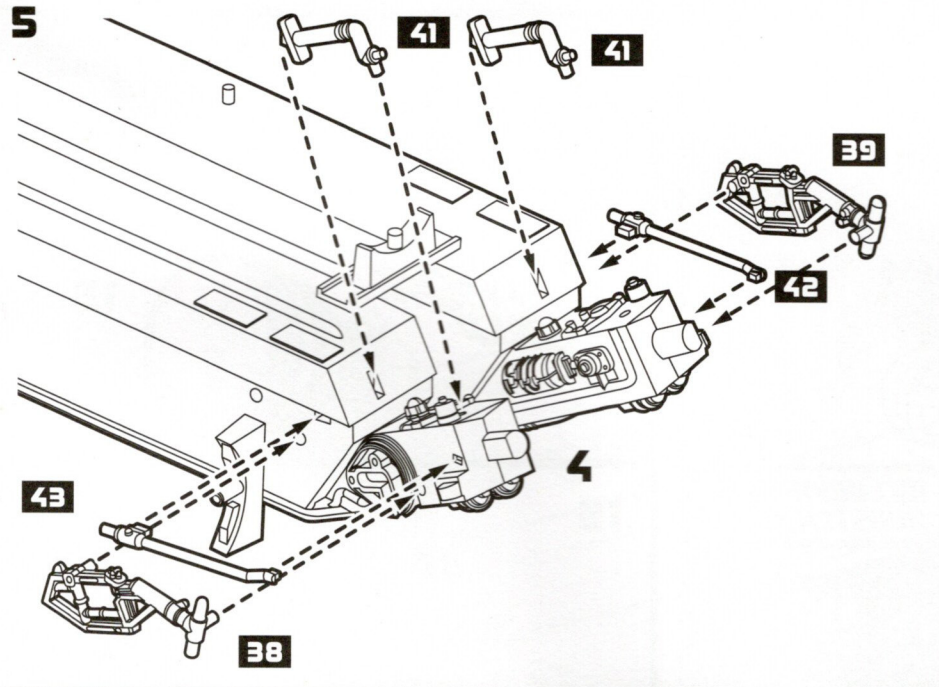


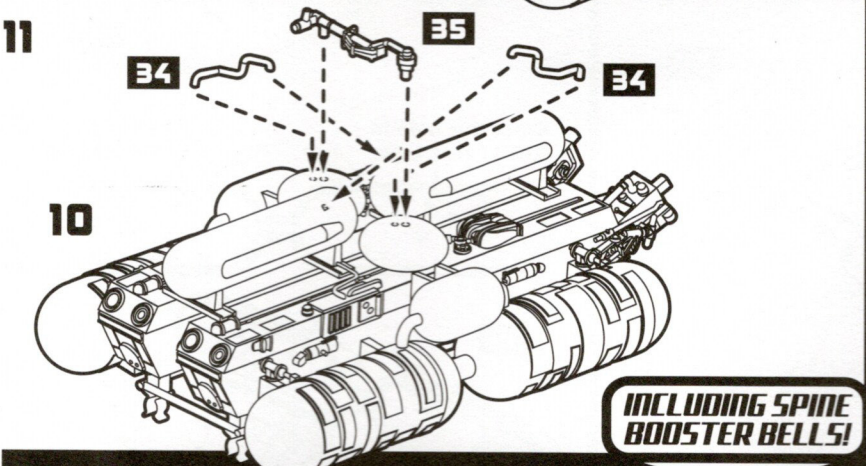
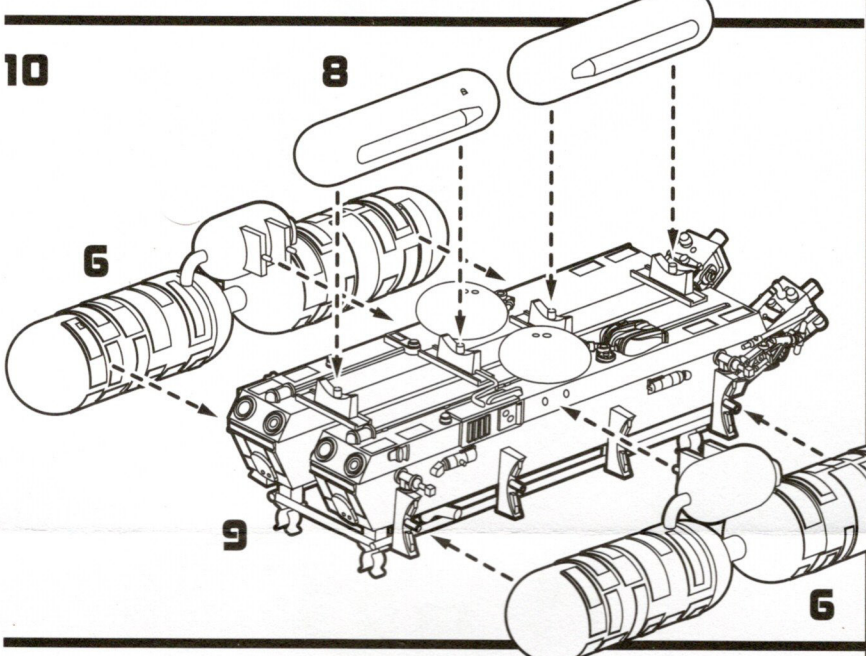
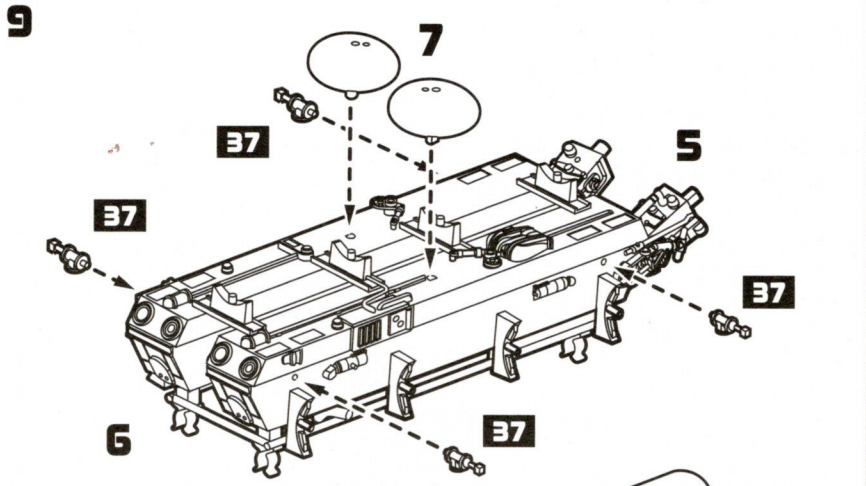
4

Spread the clip with a small flat head screwdriver. While the screwdriver is still inserted, place small screw into hole. Then insert a small phillips head screwdriver to drive the screw into part #29.



EXTRA CLIPS AND SCREWS ARE INCLUDED IN CASE OF LOSS.





INCLUDING SPINE BOOSTER BELLS!

TAKE YOUR MODEL TO THE NEXT LEVEL WITH
EAGLE 2
 SUPPLEMENTAL
 METAL PARTS PACK

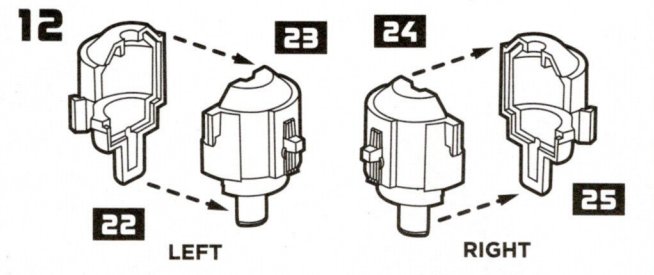
FEATURING...
BRIGHT ALUMINUM ENGINE BELLS & LANDING GEAR STRUTS



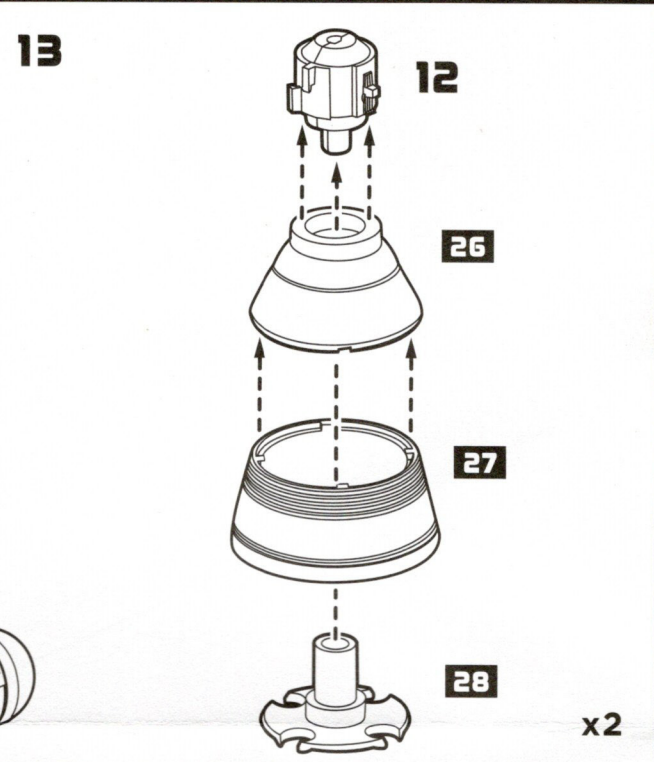
ROUND 2 Round 2, LLC
 4073 Meghan Beeler Ct.
 South Bend, IN 46628

CE International Hobbycraft (UK) Ltd
 10 Temple Back
 Bristol BS1 6FL England

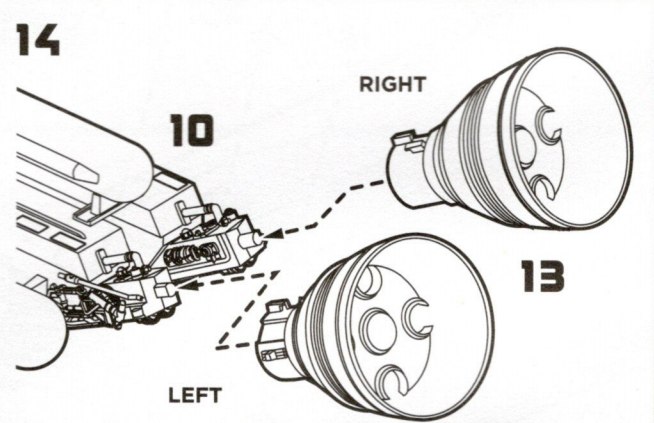
Space 1999 © ITC Entertainment Group Limited. 1975 and 2020. Licensed by ITV Ventures Limited. All rights reserved. MPC is a registered trademark of Round 2, LLC. ©2020 Round 2, LLC, South Bend, IN 46628 USA. Product and packaging designed in the USA. Made in China. All rights reserved.



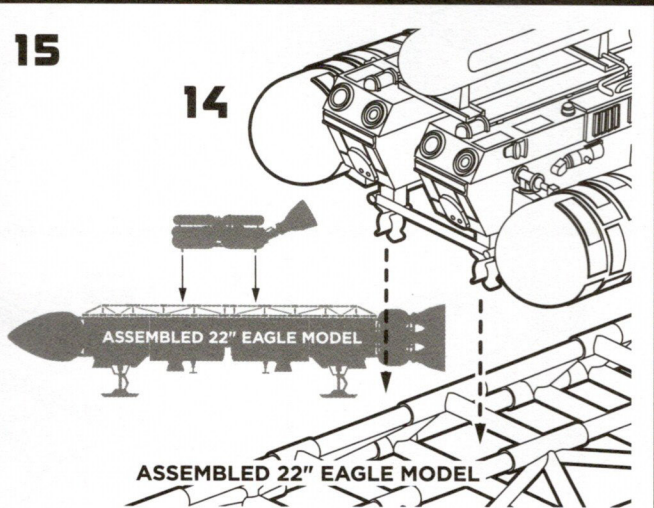
LEFT RIGHT



x2



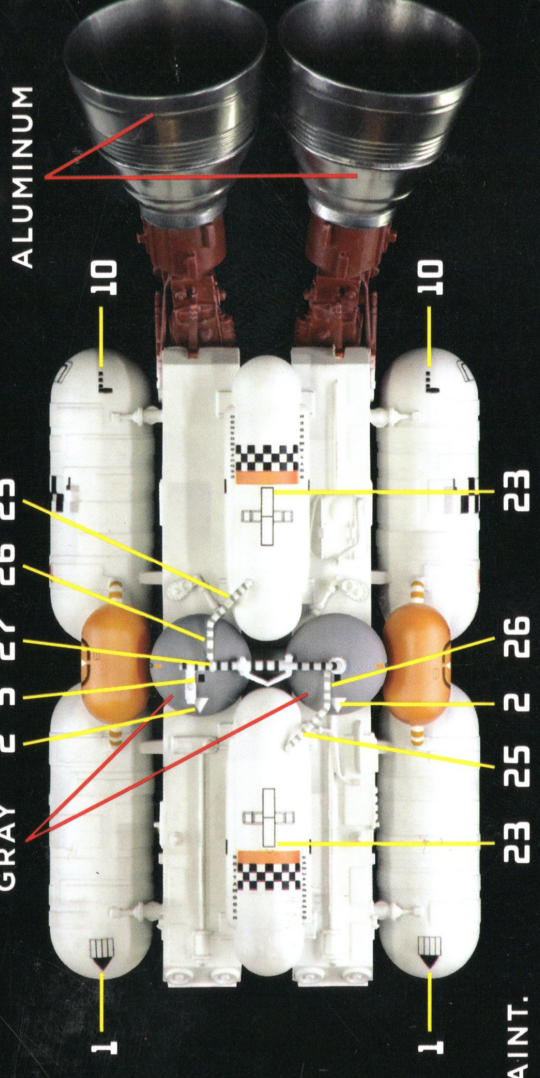
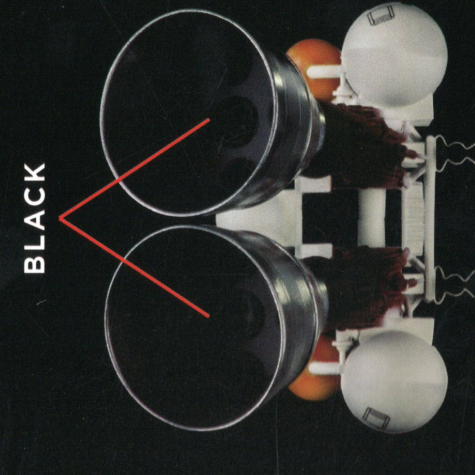
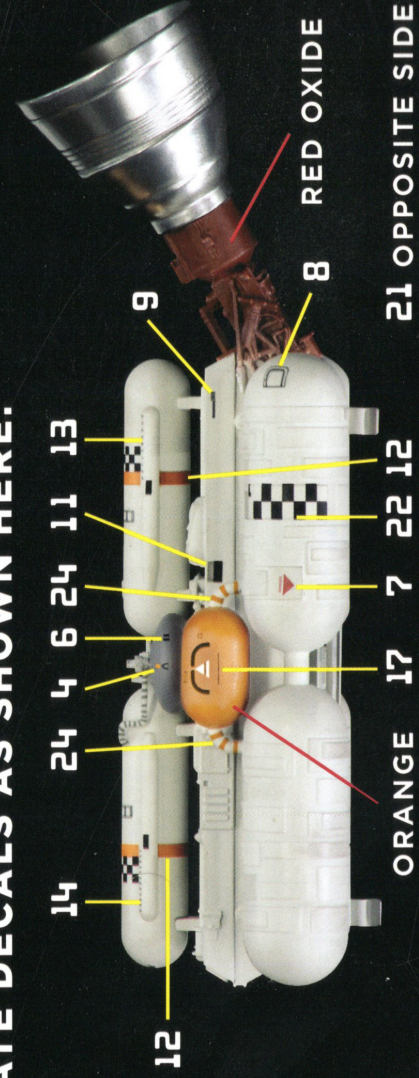
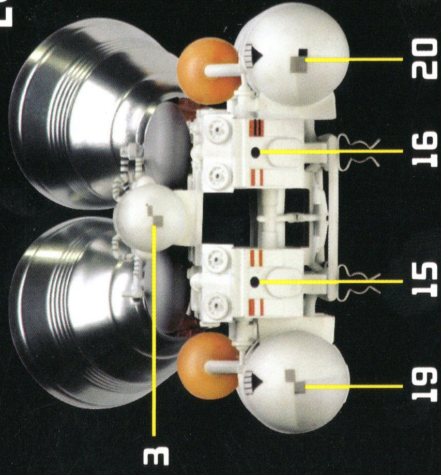
LEFT



ASSEMBLED 22" EAGLE MODEL

ASSEMBLED 22" EAGLE MODEL

LOCATE DECALS AS SHOWN HERE.



MATCH PLASTIC COLOR FOR BASE PAINT.

RED OXIDE

ALUMINUM

BLACK

21 OPPOSITE SIDE