



Saab 91 Safir

The Saab 91 Safir training aircraft first flew on November 20, 1945. It was designed by A.J. Andersson, who had previously worked for Bucker.

The first version, 91A, had a 125hp Gypsy Moth engine. Later versions, as depicted in this model kit, had Lycoming engines. 323 units were built in 5 versions (A, B, B-2, C and D). The Safir was used by the Swedish, Norwegian, Finnish, Austrian, Tunisian and Ethiopian Air Forces, as a trainer/liason aircraft. Some of the Ethiopian Safirs were equipped with a machine gun in each wing. One single aircraft was used by the Japan Defense Agency as an STOL test platform. Major civilian users were Air France, Lufthansa and the Dutch Rijksluchtvaartschool (RLS) on the Groningen Airport Eelde.

During development of the Saab 29, the first Saab 91 prototype was modified with a scaled down version of the Saab 29 swept wings. This aircraft was designated Saab 201 Experimental Aircraft. This same airframe was later fitted with wings designed for the Saab 32 Lansan and it was designated Saab 202. Another oddball was a 91A unofficially equipped with floats - by the Swedish Air Force.

As Saab was busy with production of the Saab J 29 Tunnan, many Safirs were built by de Schelde in the Netherlands.

There are no Safirs in military service toady but they continue to live as civilians, often still in the military livery. True Warbirds!

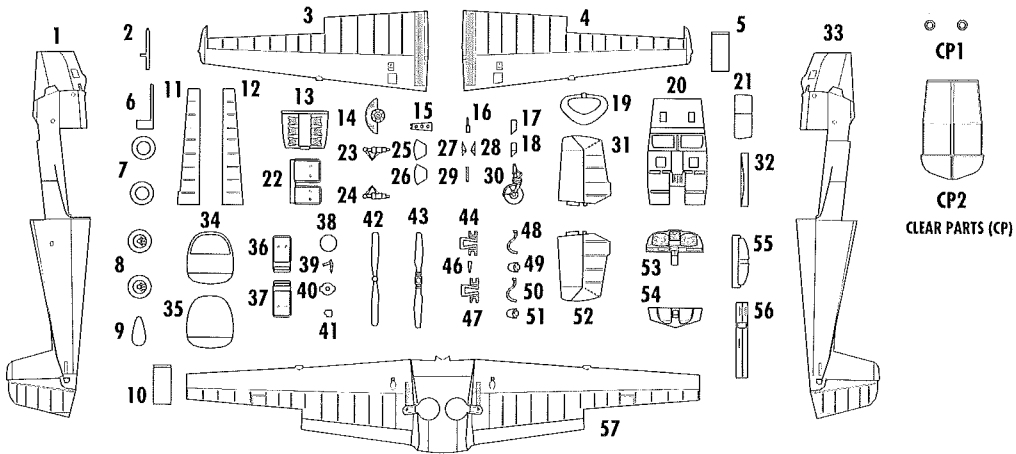
The Tarangus kit is the first ever Saab Safir in 1/48 scale. The kit can be built with three or four seats, representing all of the Lycoming engined Saab Safirs.

SAAB 91 Safir B/C/D

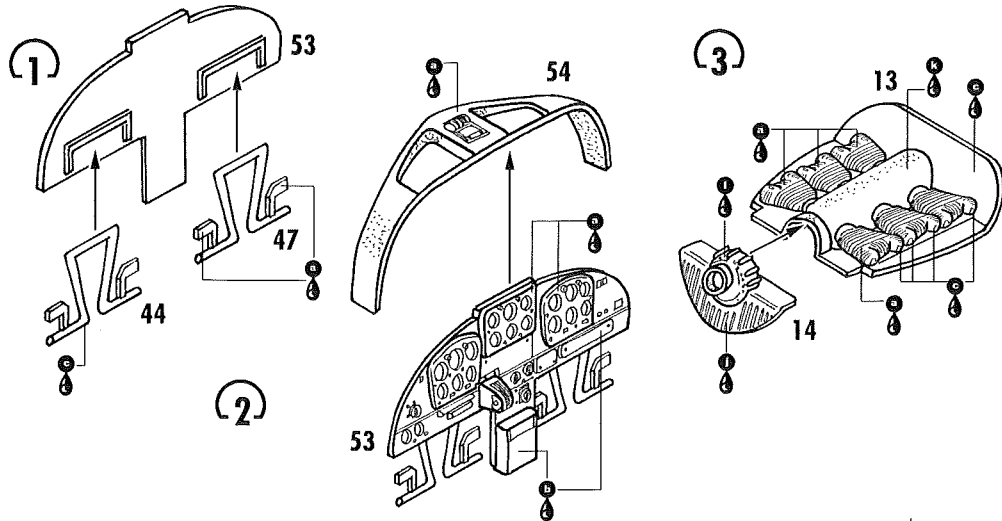
Scale 1/48

SAAB 91 Safir B/C/D

Scale 1/48

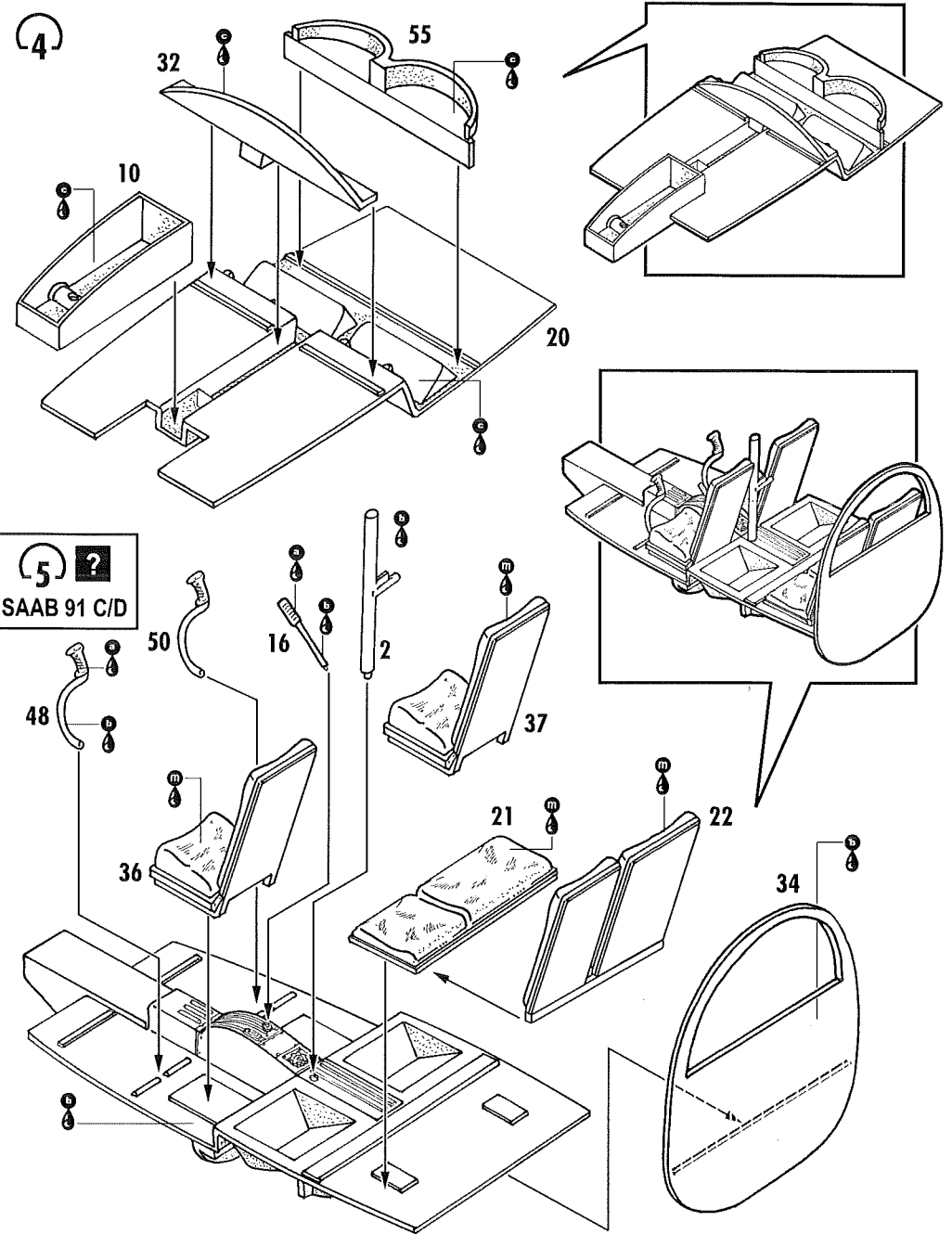


- | | | | | | |
|-------------|----------------------|-----------|-------------------|-----------------|--------------|
| | | | | | |
| Black | Interior Grey | Aluminium | Dark Green | Dark Green-Grey | Brown |
| | | | | | |
| Tyres Black | Burn Iron | Chrome | Natural Metal | Light Grey | Grey |
| | | | | | |
| Leather | Dark Olive | remove | bend | open hole | etchra build |
| | | | | | |
| color | symmetrical assembly | option | cyanocrylate glue | | |

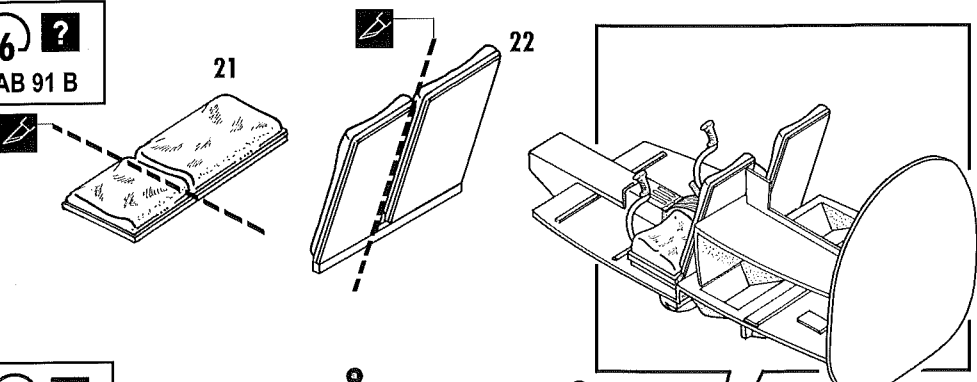


SAAB 91 Safir B/C/D

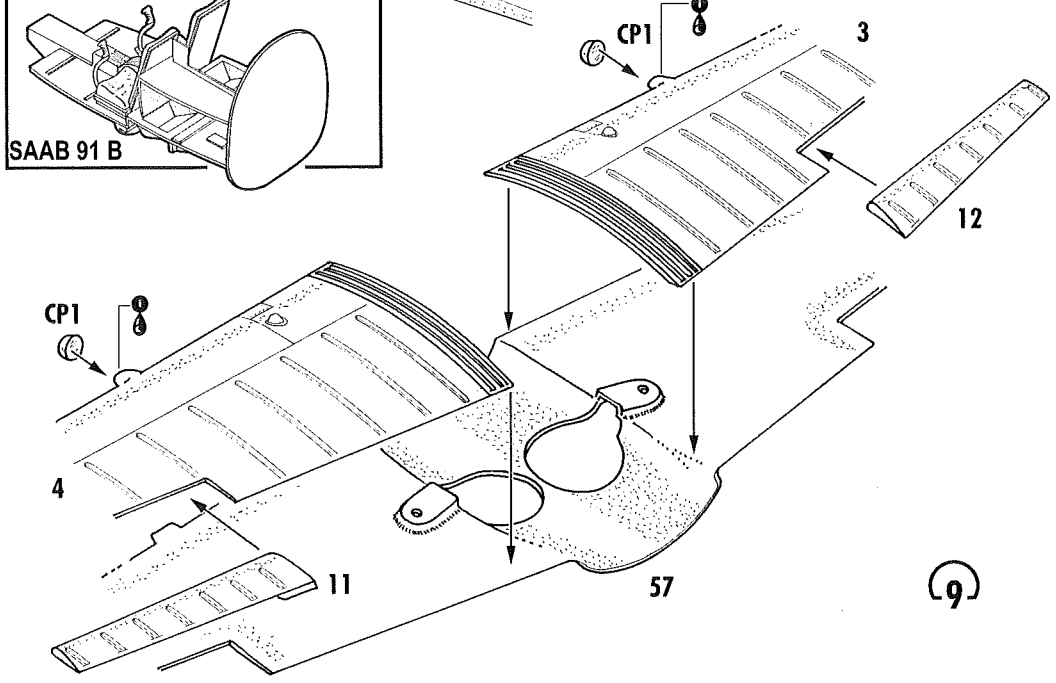
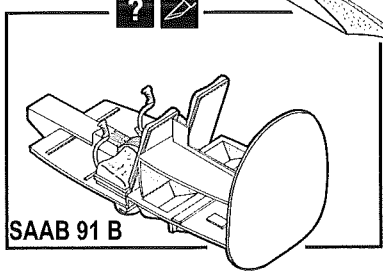
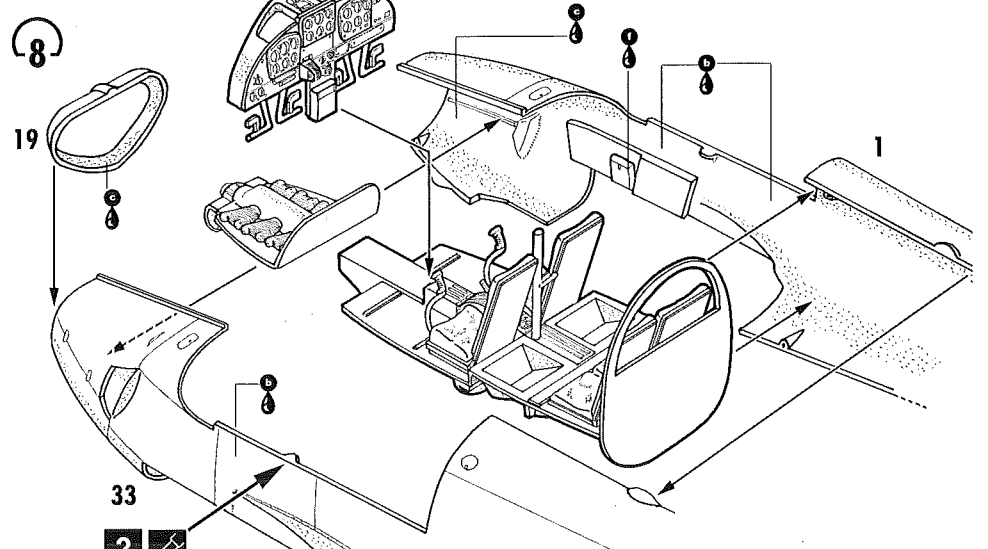
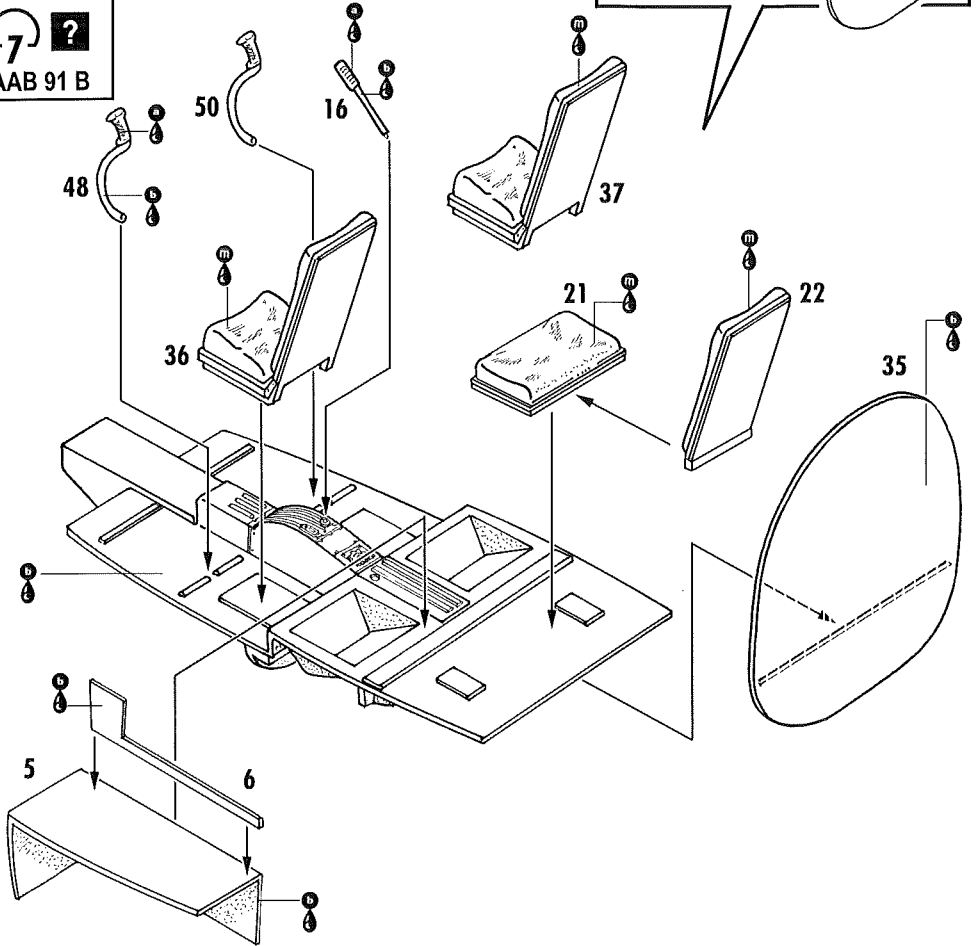
Scale 1/48

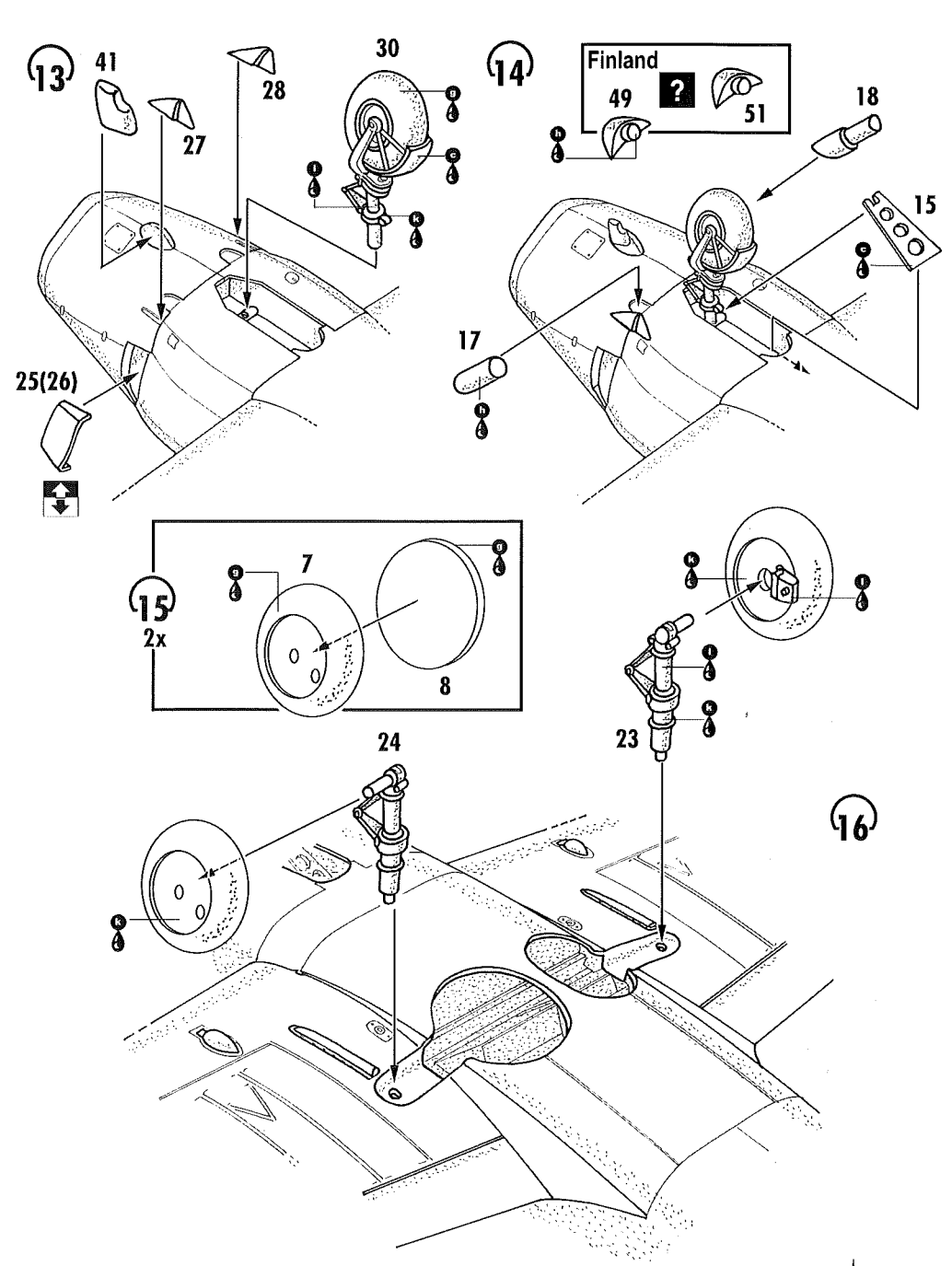
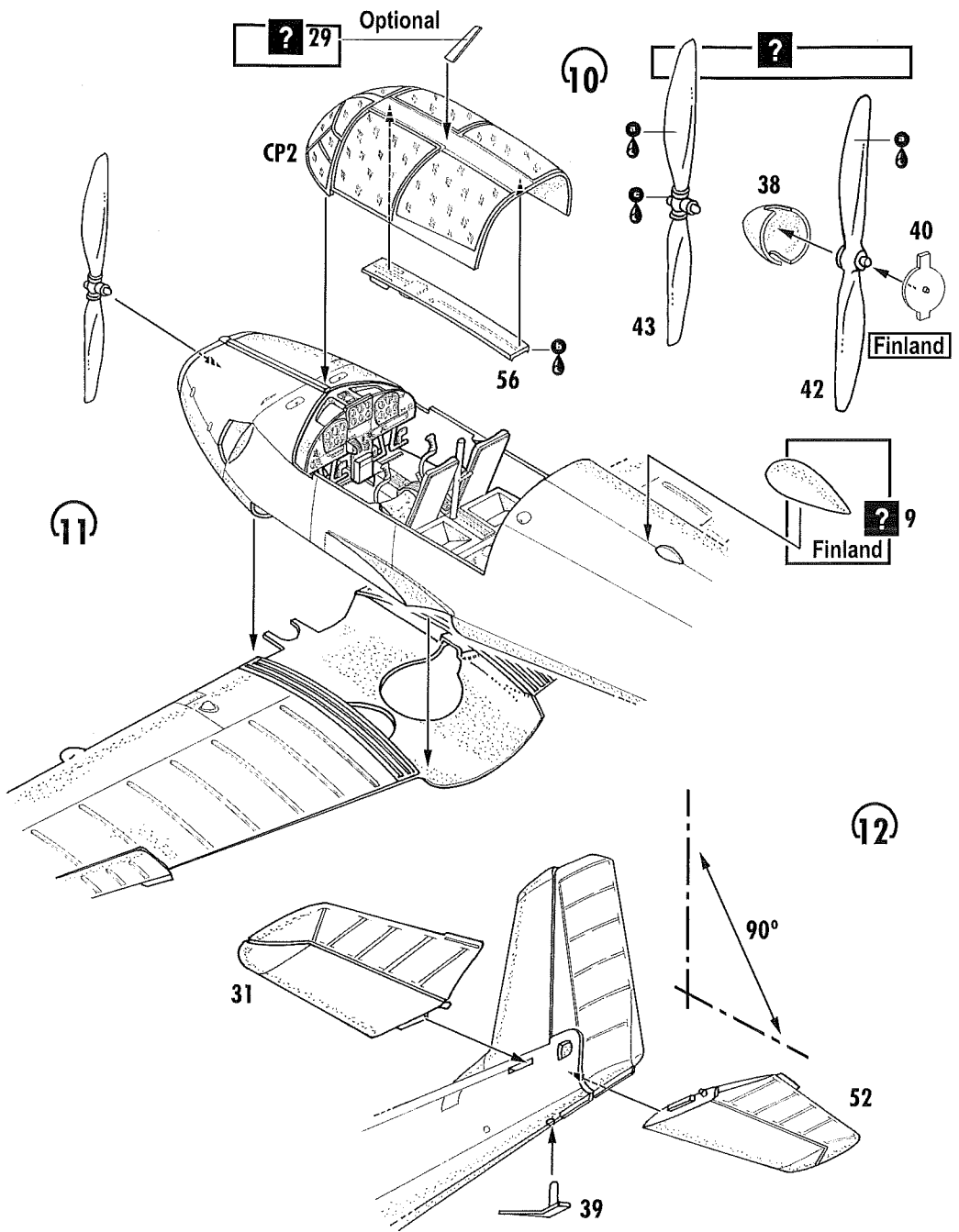


6 ?
SAAB 91 B

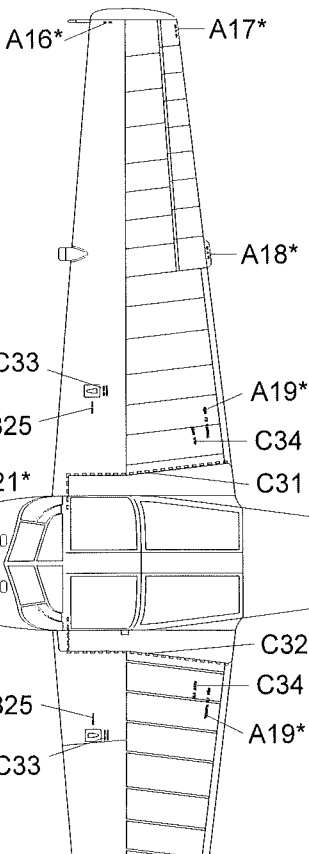
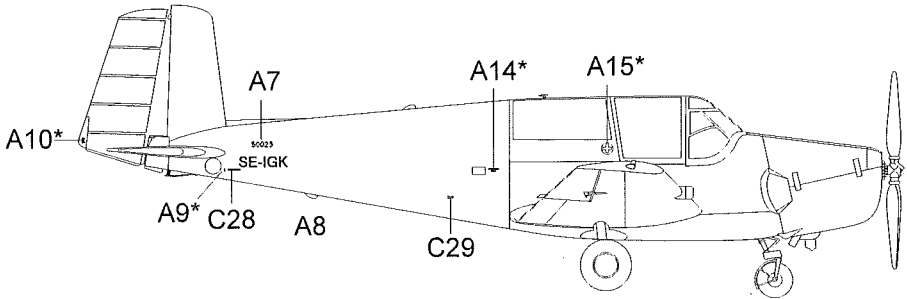
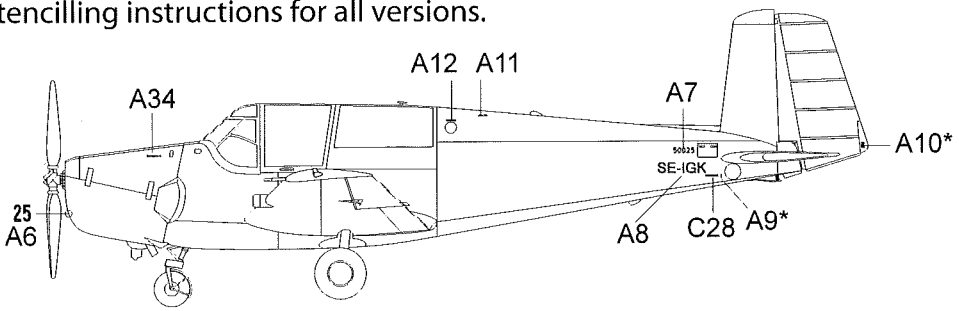


7 ?
SAAB 91 B





Stenciling instructions for all versions.



All A decals for Swedish AF
 A* & B decals for Ethiopian AF
 C decals for Finnish AF
 For colour scheme and other markings, see boxart.

NOTE!

The two SE-IGK decals numbered A8 are an option. If you want to build the kit in military service, they are to be omitted. Decals A10 and A18 are supplied with and without red background - if you want to paint the red instead of using decal.

