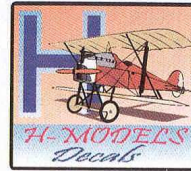
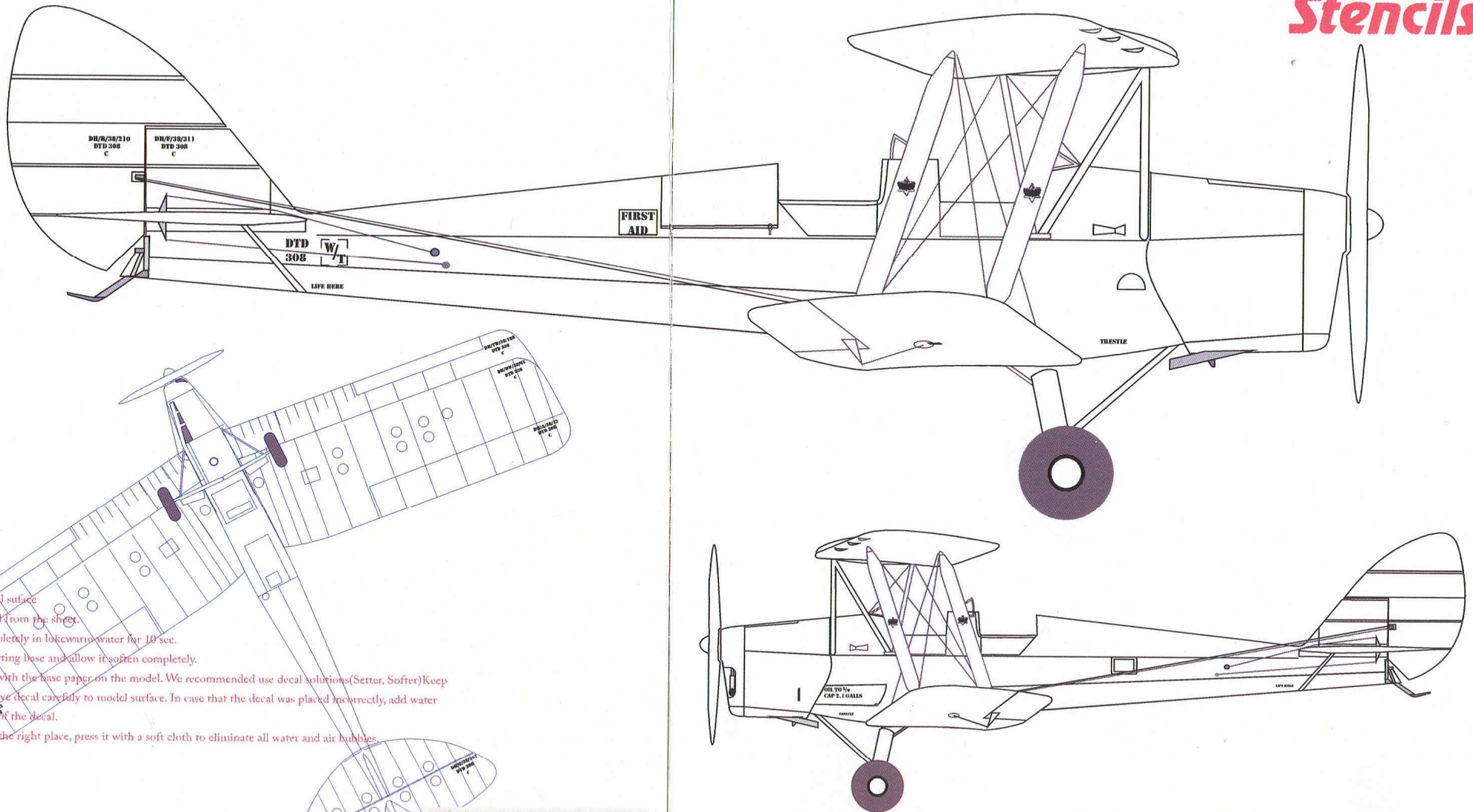


# de Havilland DH.82 TIGER MOTH



# de Havilland DH.82 TIGER MOTH

## de Havilland DH.82 Tiger Moth Stencils



1. Apply gloss cote to model surface
2. Cut out the needed detail from the sheet.
3. Submerge the decal completely in lukewarm water for 10 sec.
4. Put the wet decal on the gluing base and allow it soften completely.
5. Place the decal together with the base paper on the model. We recommend use decal solutions (Setter, Softer) Keep paper by tweezers and remove decal carefully to model surface. In case that the decal was placed incorrectly, add water with a brush on the back of the decal.
6. If the decal is located on the right place, press it with a soft cloth to eliminate all water and air bubbles.
7. Allow the decal dry well.



MADE IN CZECH REPUBLIC

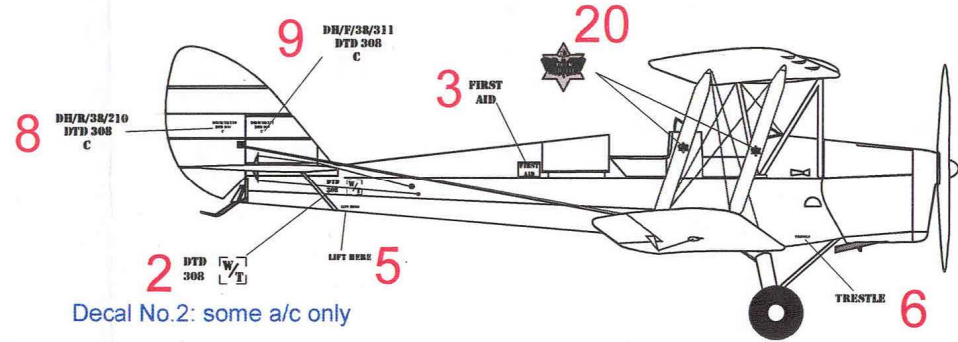
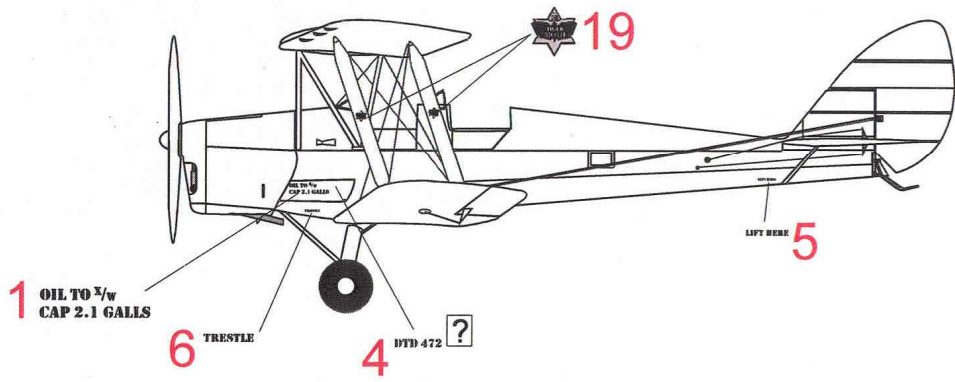
**H-Models Decals**  
 Gustav Hybner  
 Na zápraží 408/3, Liberec 3, 460 01  
[www.ghstudio.net](http://www.ghstudio.net)  
[ghstudio@ghstudio.net](mailto:ghstudio@ghstudio.net)  
[nmodels@volny.cz](mailto:nmodels@volny.cz)

Limited series only 200 pcs!

HMD72051

# De Haviland DH 82 Tiger Moth

Decal placement:



Decal No.2: some a/c only

