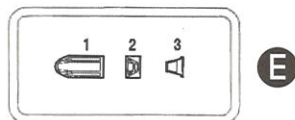
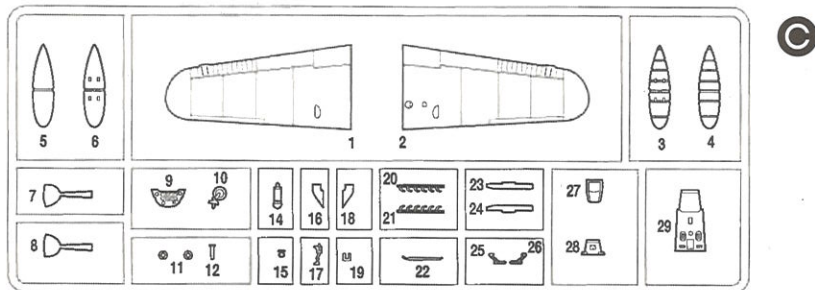
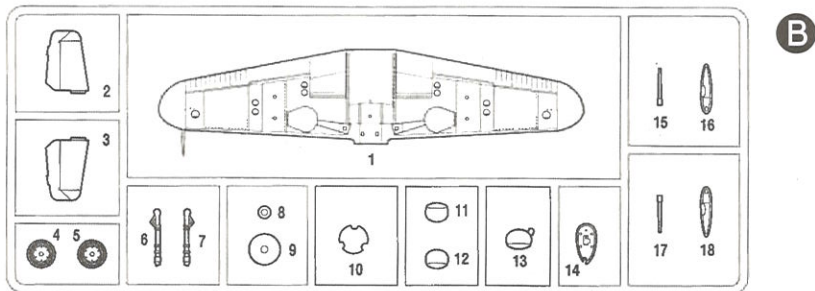
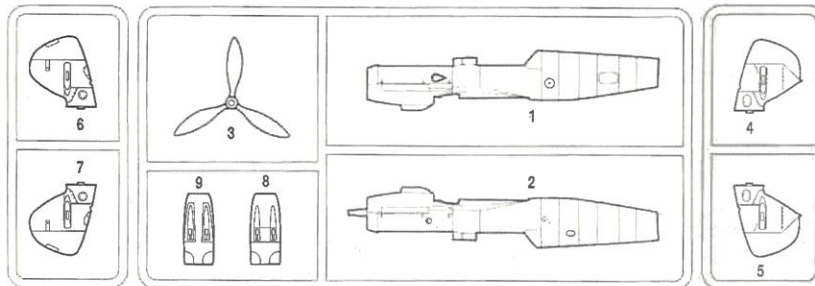


A



● Unused parts
A8, B15, B16, B17, B18, C14, C19, C28



Bf109 G-14 'BLACK TULIP'



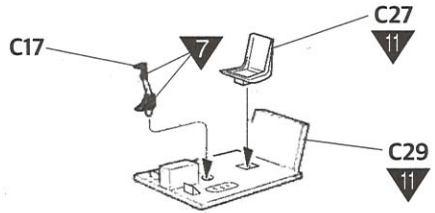
CAUTION!

<Read this before you begin>

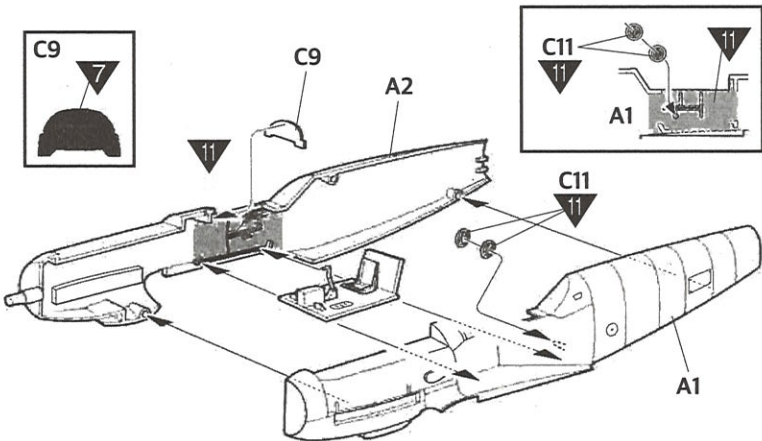
- Study the instructions before assembling.
- Check the fit of each piece before cementing into place.
- Never use cement or paint near open flame.
- Do not use too much cement to join parts.
- Open a window or make area well ventilated when cement or paint is in use.
- Tear up and throw away the empty plastic bags to avoid danger of suffocation for little children.

PAINT INDEX	Humbrol		GSI Creos		Lifecolor	TESTORS / MODELMASTER		Revell		Vallejo		AK Interactive
	ENAMEL	ACRYL	AQUADEUS HOBBYCOLOR	Mr. COLOR		ENAMEL	ACRYL	ENAMEL	ACRYL	MODEL COLOR	MODEL AIR	
▼ RED BROWN	160		H47	41	UA205	2152	4861	32381	36381	984	41	4143
▼ GLOSS BLACK	21	21	H2	2	LC72	1747	4695	32107	36107	861		
▼ RED/ RLM23	153		H414	114	LC06	2073	4772			957	102	740
▼ YELLOW/ RLM04	69	69	H413	113	UA140	2072	4771			953	78	
▼ SILVER	11	11	H8	8	LC74	2914	4678	32190	36190	997	63	139
▼ STEEL	53	53	H28	78	LC76	1795	4681	32191	36191	863	72	798
▼ FLAT BLACK	33	33	H12	33	LC02	1749	4768	32108	36108	950	57	735
▼ GRAY GREEN/ RLM74	245	245	H68	36	UA072	2084	4784			867	258	2007
▼ GRAY VIOLET/ RLM75	246	246	H69	37	UA073	2085	4785	32378		869	259	2008
▼ GRAY/ RLM02	240	240	H70	60	UA071	2071	4770		32145	986	44	2002
▼ BLACK GRAY/ RLM66	32	32	H416	116	UA133	2079	4779			966	55	2004
▼ BLACK GREEN/ RLM70	241	241	H65	18	UA051	2080	4780			897	21	2005
▼ LIGHT BLUE/ RLM76	247	247	H417	117	UA074	2086	4786			907	257	2009
▼ CLEAR RED	1321		H90	47			4630			934		
▼ CLEAR BLUE	1320		H93	50			4658			938		

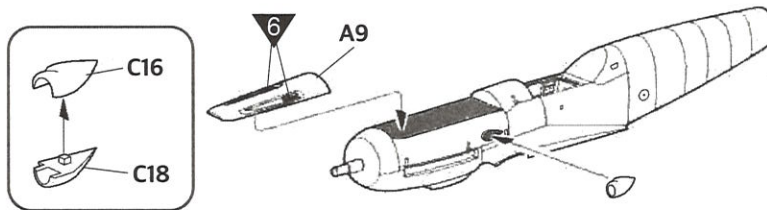
1



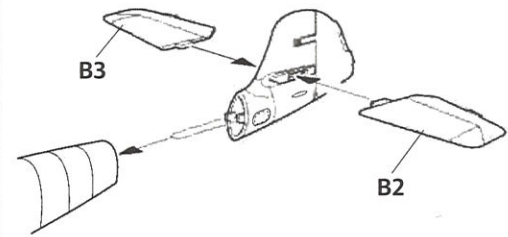
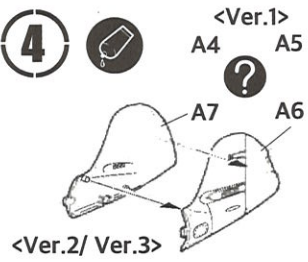
2



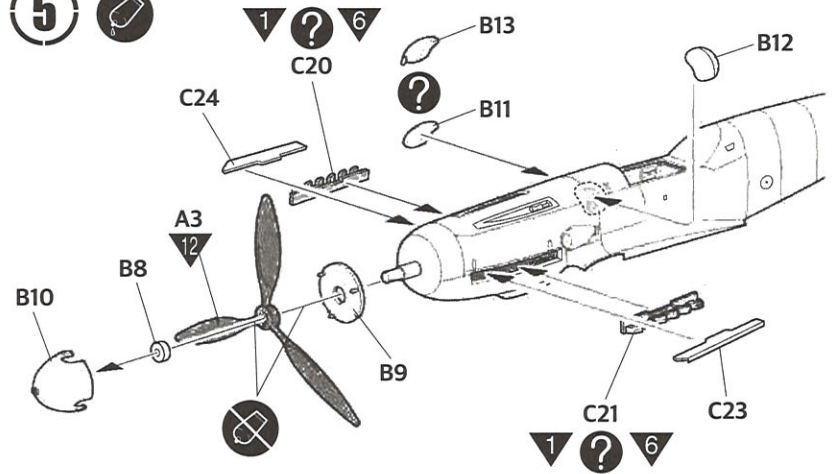
3



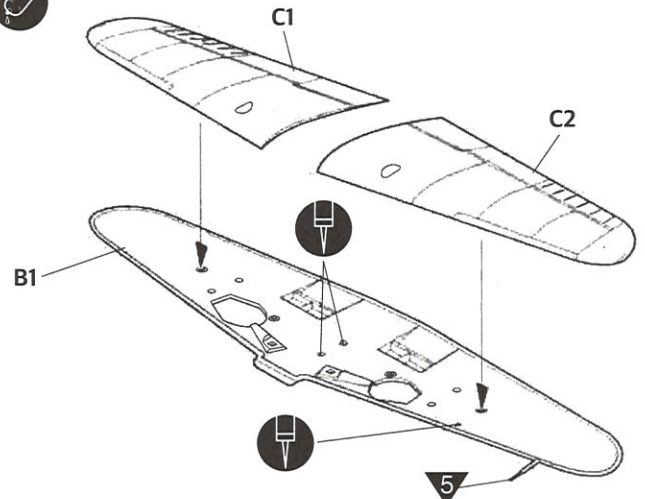
4



5



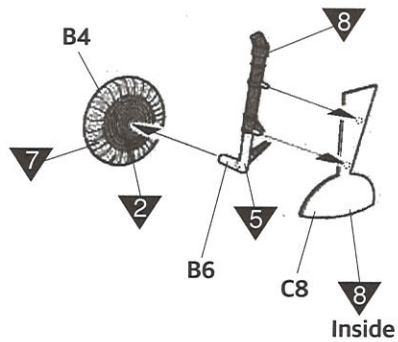
6



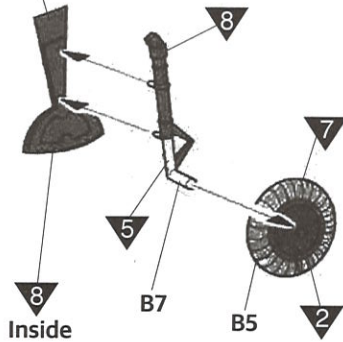
7



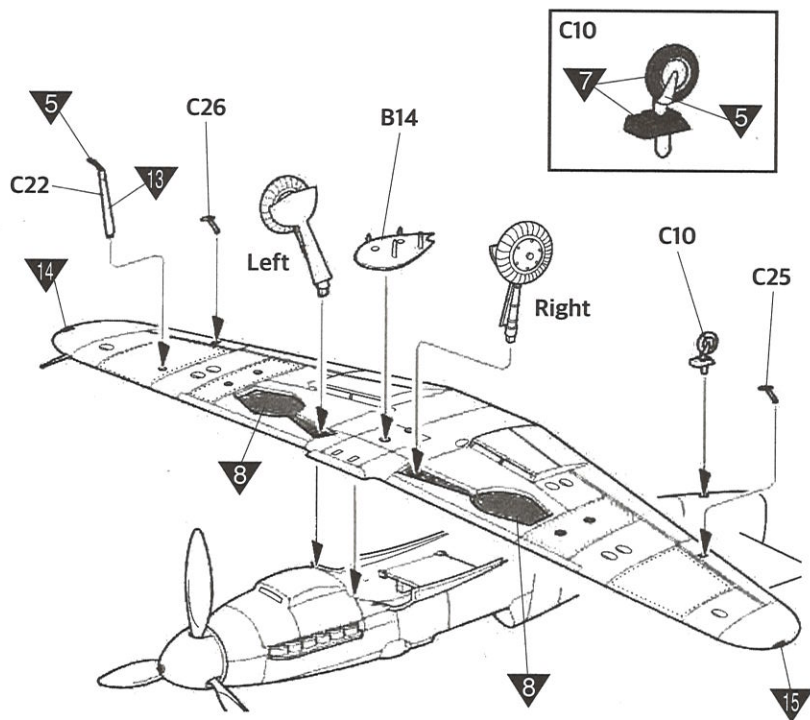
Right



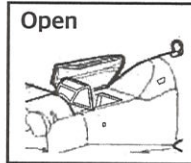
C7 Left



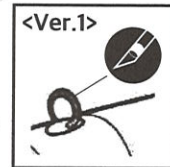
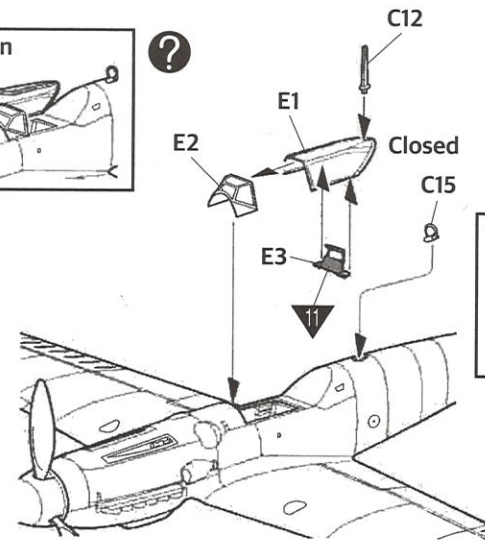
8



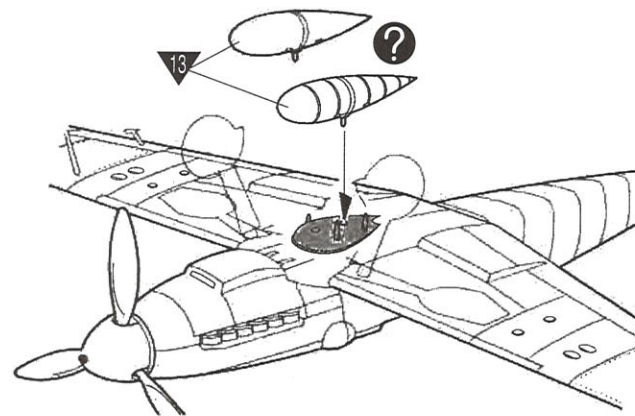
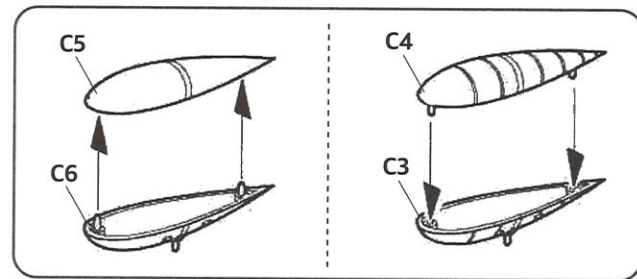
9



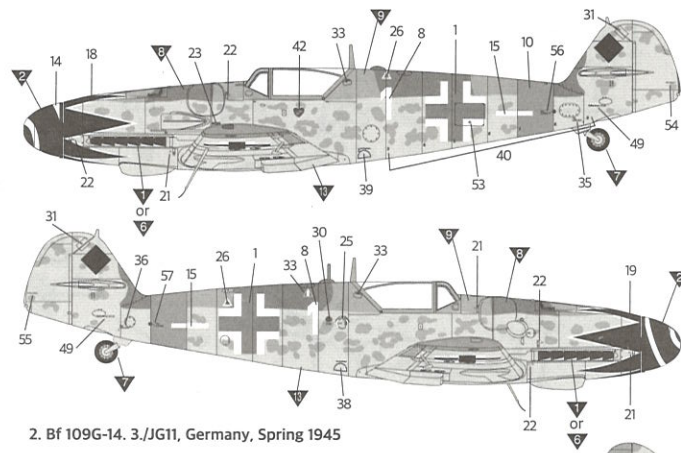
?



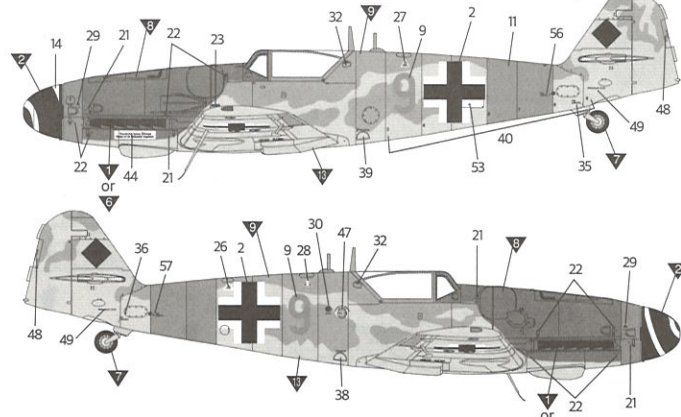
10



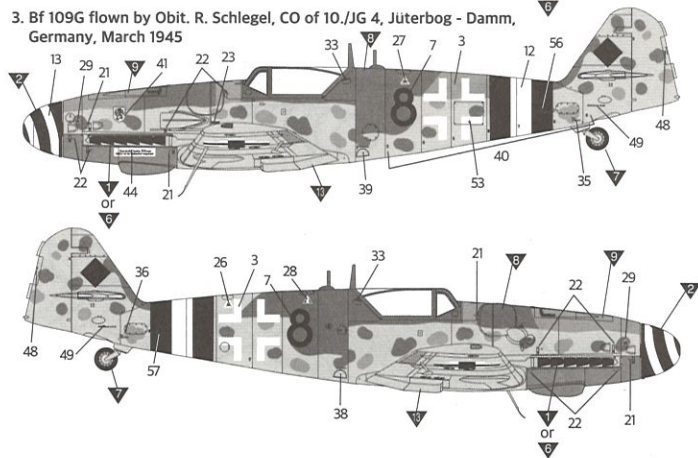
1. Bf 109G-14/U4. flown by Hptm. E. Hartmann, 4./JG 52, Csor, Hungary, October 1944



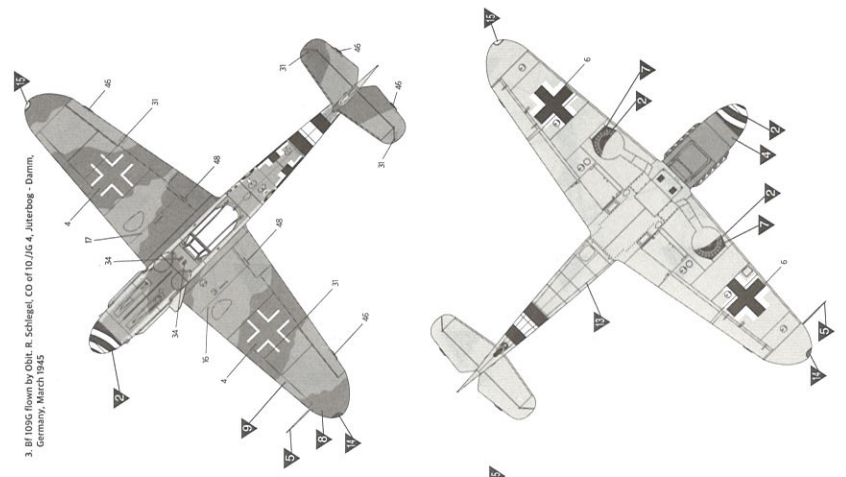
2. Bf 109G-14. 3./JG11, Germany, Spring 1945



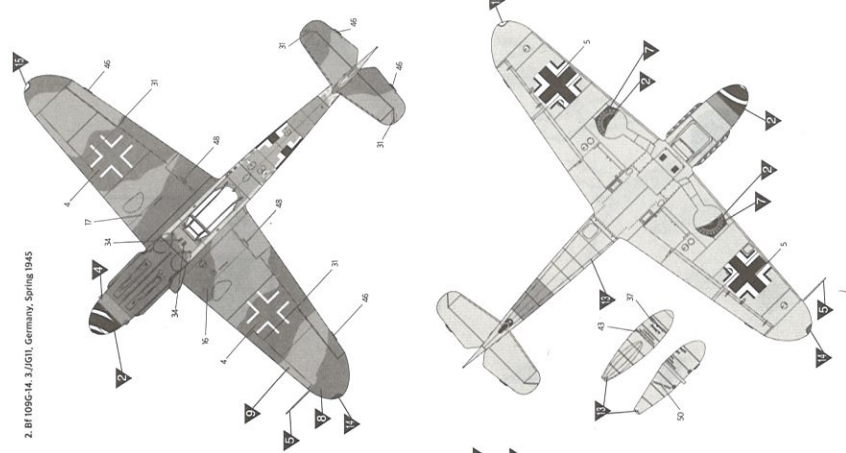
3. Bf 109G flown by Oblt. R. Schlegel, CO of 10./JG 4, Jüterbog - Damm, Germany, March 1945



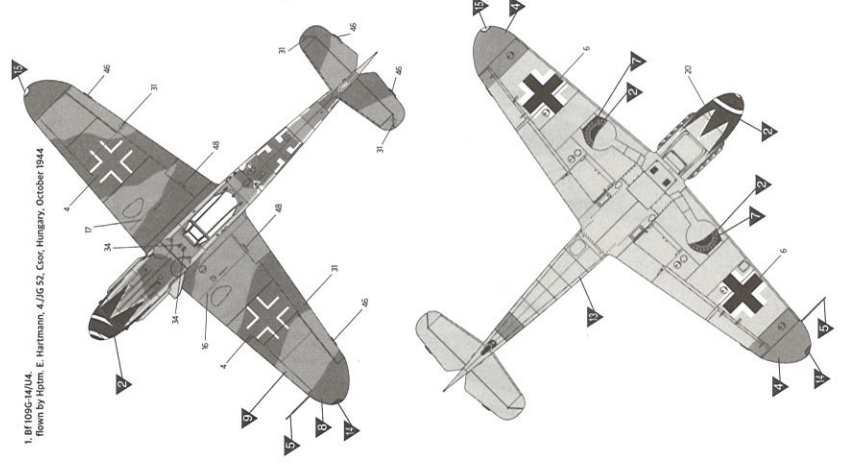
3. Bf 109G flown by Oblt. R. Schlegel, CO of 10./JG 4, Jüterbog - Damm, Germany, March 1945



2. Bf 109G-14. 3./JG11, Germany, Spring 1945

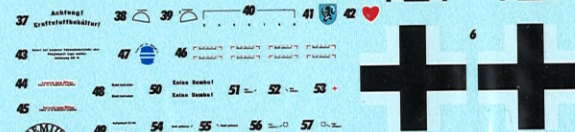
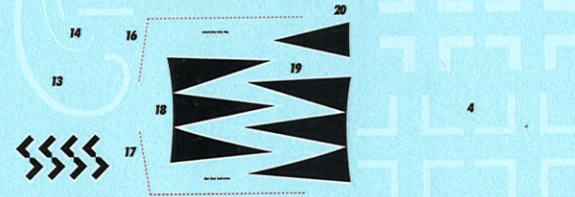
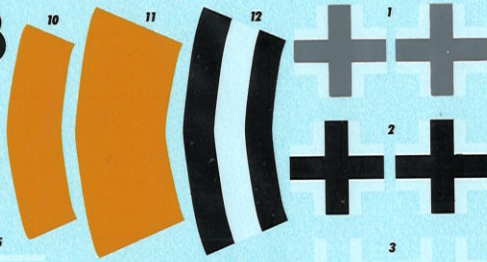


1. Bf 109G-14/U4. flown by Hptm. E. Hartmann, 4./JG 52, Csor, Hungary, October 1944



88

99



21 --- 31 □ □ □ □ □ □
22 --- 23 --- 24 ○ ○ ○ ○
25 --- 26 ▲ 27 ▲ 28 ▲ 29 ▲ 30 ●
32 ○ 33 ○ 34 ○ 35 ○ 36 ○
37 Aufrecht (vertical/standing)
38 39 40 41 42 ♥
43 47 48 49 50 51 52 53 +
44 45 54 55 56 57 ○ ●



BF109 G-14 "BLACK TULIP"

PRINTED IN KOREA