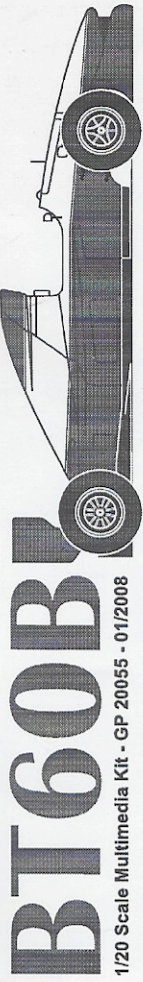
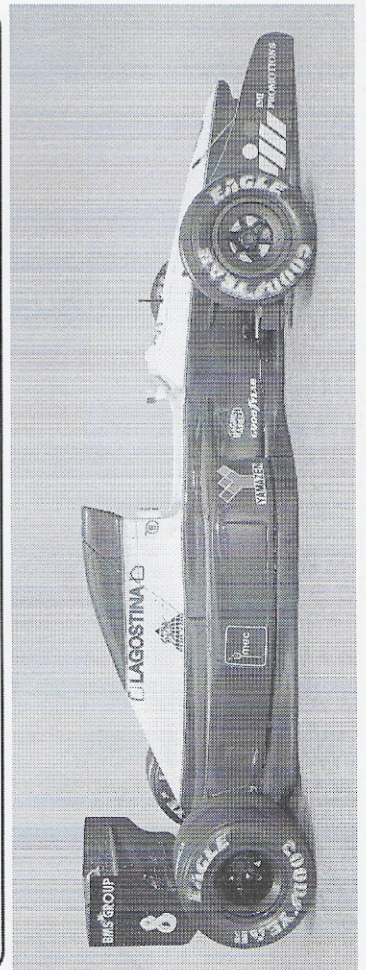
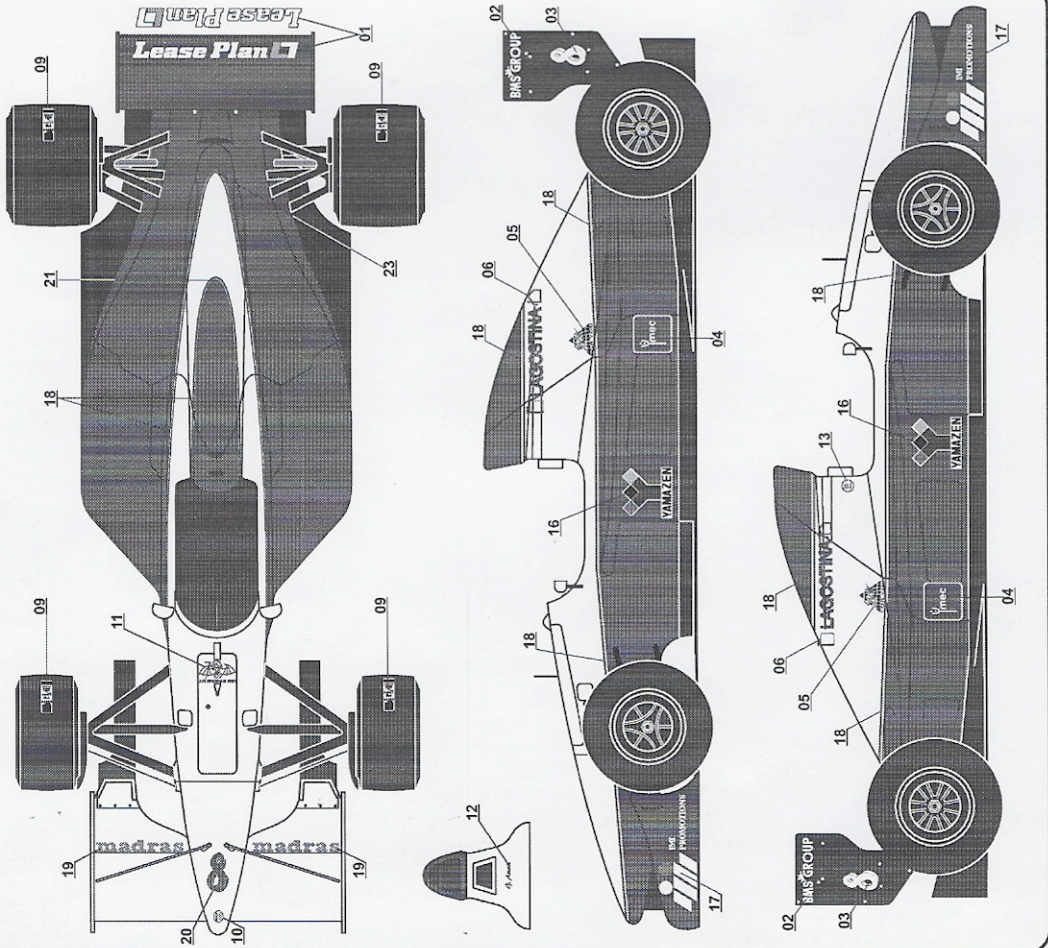


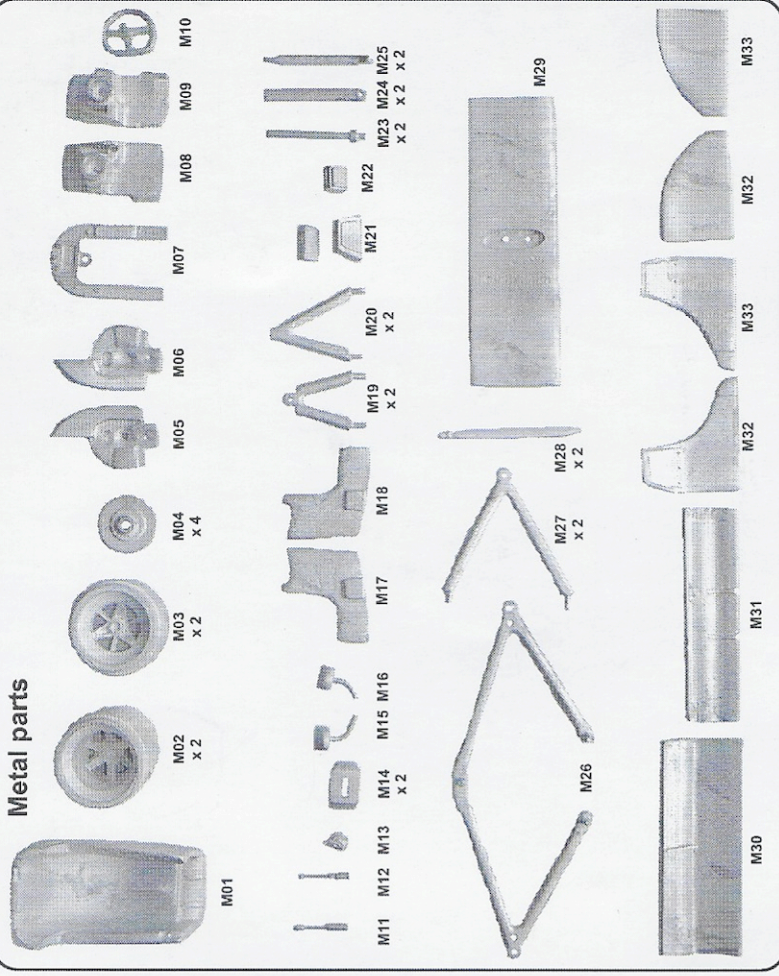
Decal placement



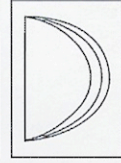
BT60B

1/20 Scale Multimedia Kit - GP 20055 - 01/2008

Metal parts



Windscreen vacuum forming



SCREEN steel x10



Stencil steel



TYRES rubber x 4

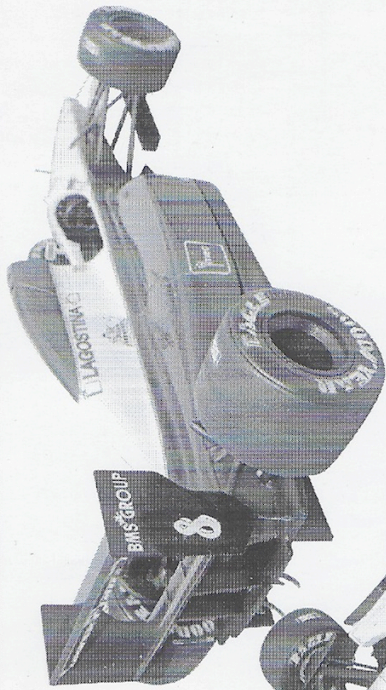
Wire brass 80mm

Wire steel 90mm

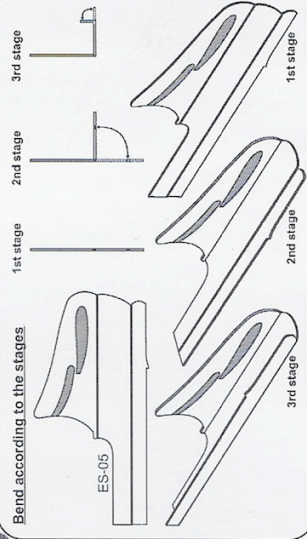
Read before assembly

- * Read carefully and fully understand the instructions before assembly.
- * Keep away from small children.
- * Model car for collectors. Not suitable for modellers under 14 years old.

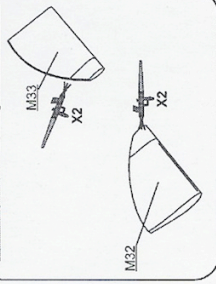
- * Use cyano-acrilate cement only.
- * Use polyester putty, for remodelling and repair of resin body and parts.
- * Cement and paints not included in the kit.
- * Tools required: cement, plastic scriber, side cutter, tweezers and modelling knife.



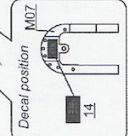
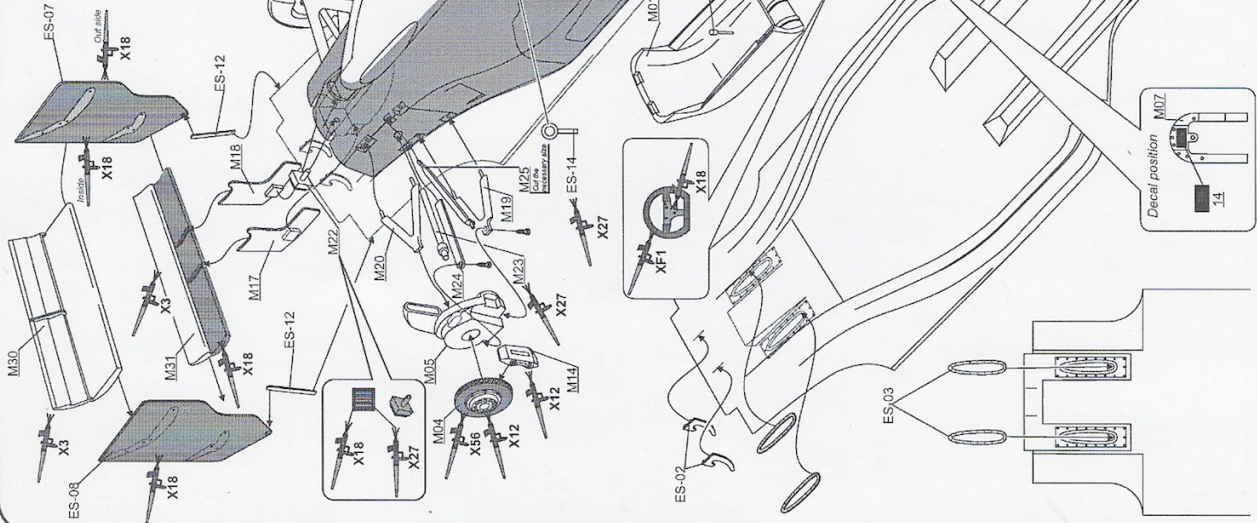
Bend according to the stages



Optional pieces used in agreement with GP



- M01 M19
- M05 M20
- M07 M24
- M09 M25
- M12 M26
- M13 M27
- M18 M28



Decal position M07

Use a drill in the measure 0,7mm to hole all holes used by these screws.

Wire steel x 2 pieces = 39mm

Wire brass x 2 pieces = 30mm

M21 Vacuum forming windscreens

M18

ES-07

ES-08

ES-12

ES-12

M18

M17

M18

M18

M18

M18

M18

M18

M18

M18

M18

M18

M18

M18

M18

M18

M18

M18

M18

M18

M18

M18

M18

M18

M18

M18

M18

M18

M18

M18

M18

M18

M18

M18

M18

M18

M18

M18

M18

M18

M18

M18

M18

M18

M18

M18

M18

M18

M18

M18

M18

M18

M18

M18

M18

M18

M18

M18

M18

M18

M18

M18

M18

M18

M18

M18

M18

M18

M18

M18

M18

M18

M18

M18

M18

M18

M18

M18

M18

M18