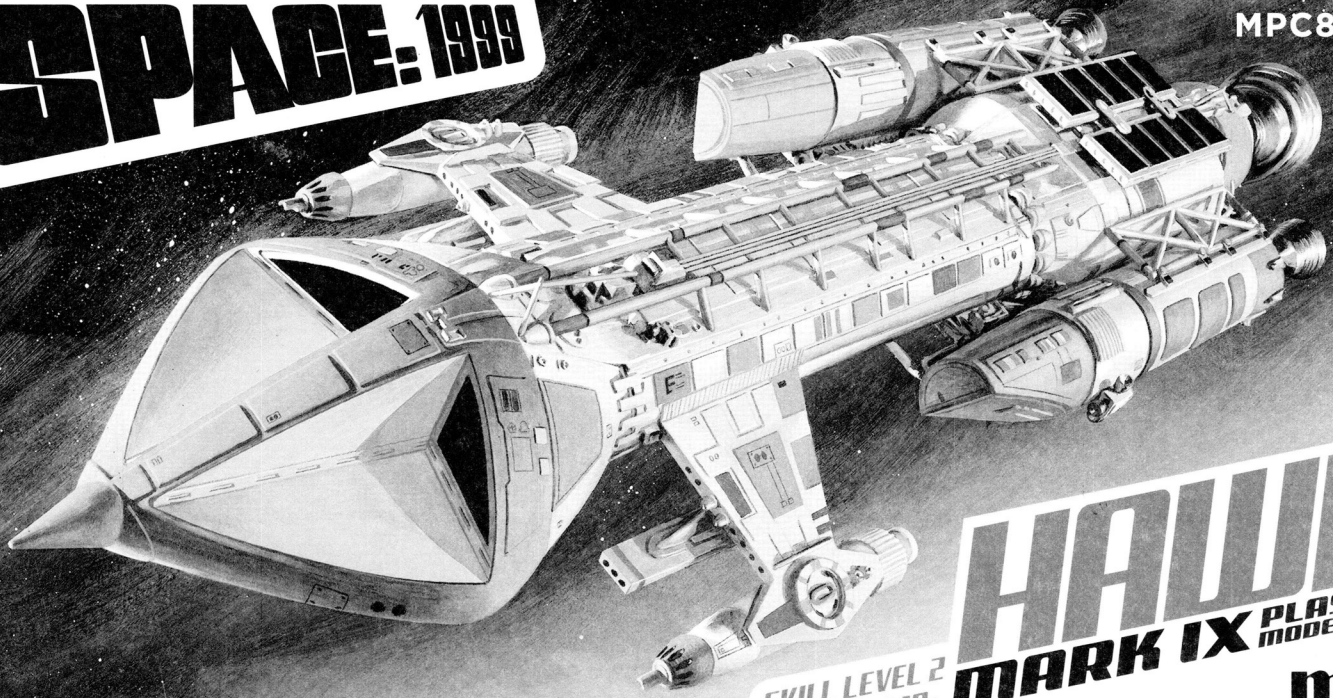


# SPACE: 1999

MPC881/12



SKILL LEVEL 2  
AGES 10+

# HAWK

PLASTIC  
MODEL KIT

**mpc**

This highly detailed kit features precision-tooled parts for ease of assembly, but care and patience must be exercised to achieve optimal results. It is recommended that the builder examine the instructions carefully and do a dry test fit of parts before applying liquid cement. You will find this very helpful, as it will allow you to gain a clear understanding of how the parts fit together in order to best plan painting and final assembly.

This kit should be built in sub-assemblies which will make assembly more manageable. It is very important to note that it is extremely advantageous to apply paint and decals to sub-assemblies before completing final assembly. Review photos shown on box tray for guidance.

#### DECAL APPLICATION:

1. Cut the desired decal from the sheet.
2. Dry fit the trimmed decal to become familiar with its correct placement.
3. Dip the decal in lukewarm water for 20-30 seconds. For best results, mix one drop of common dish washing detergent to the water.

4. Place the wet decal on paper towel and wait 30-60 seconds until the decal is movable on paper backing.

5. Wet the area of the model the decals will be applied to.

6. Hold the decal face up, in position on model and slide backing away from under it.

7. Once positioned correctly, absorb excess water with a paper towel. Starting in the center of the decal, blot out air bubbles toward the edges with a soft damp cloth.

8. Troublesome air bubbles can be rubbed to the edge of the decal with a clean, soft paintbrush or simply puncture the decal with a sharp #11 blade. Air bubbles must be removed before the decal dries.

9. Let decals dry completely before handling or applying more decals next to or on top of previous work. It is best not to use heat to accelerate drying times as this may crack the decals, affect their adhesive or melt plastic parts!

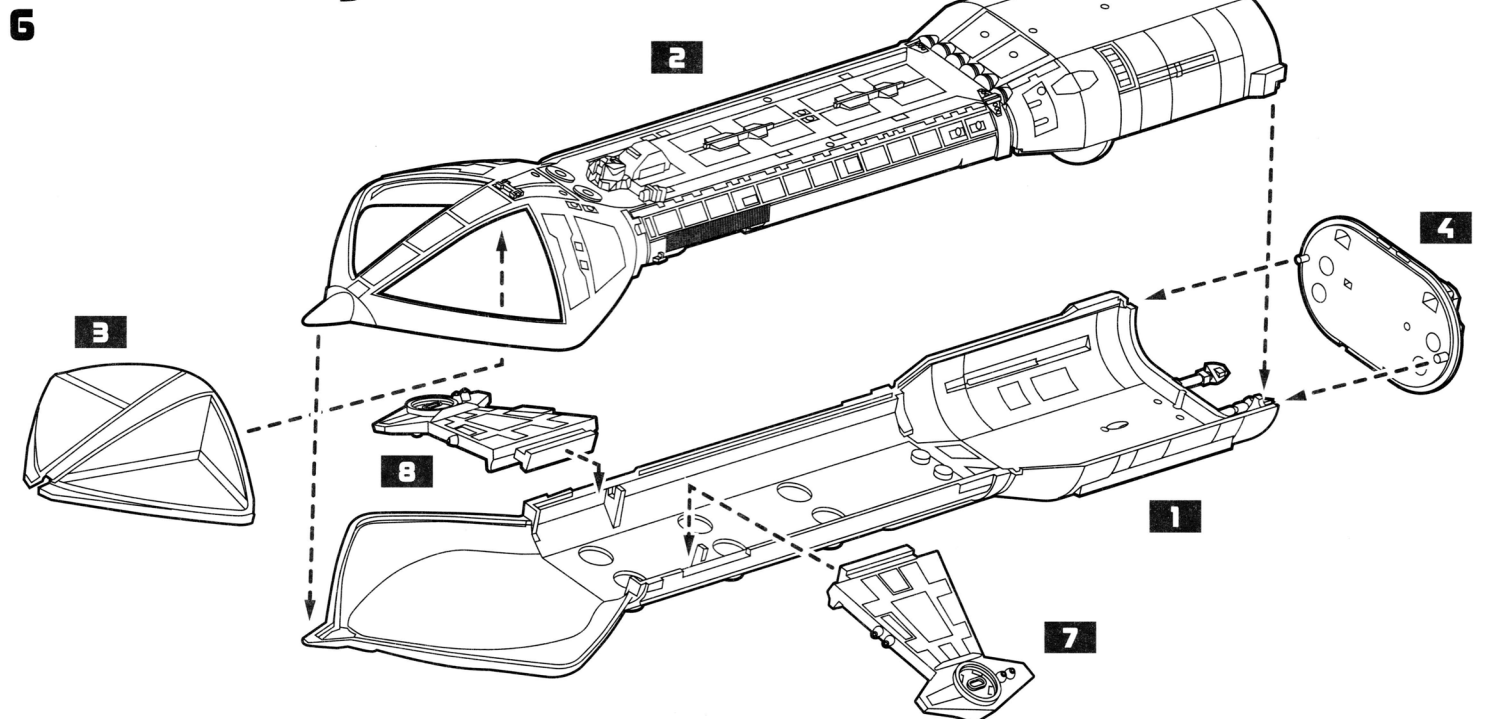
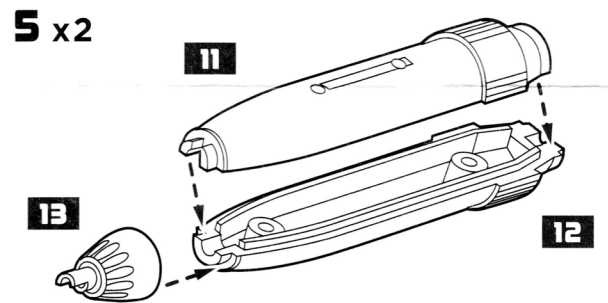
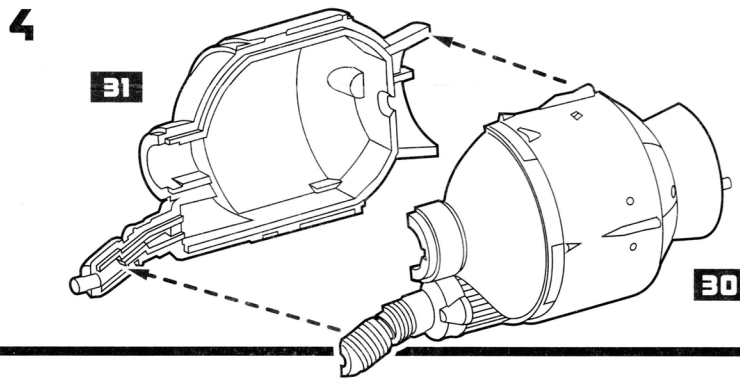
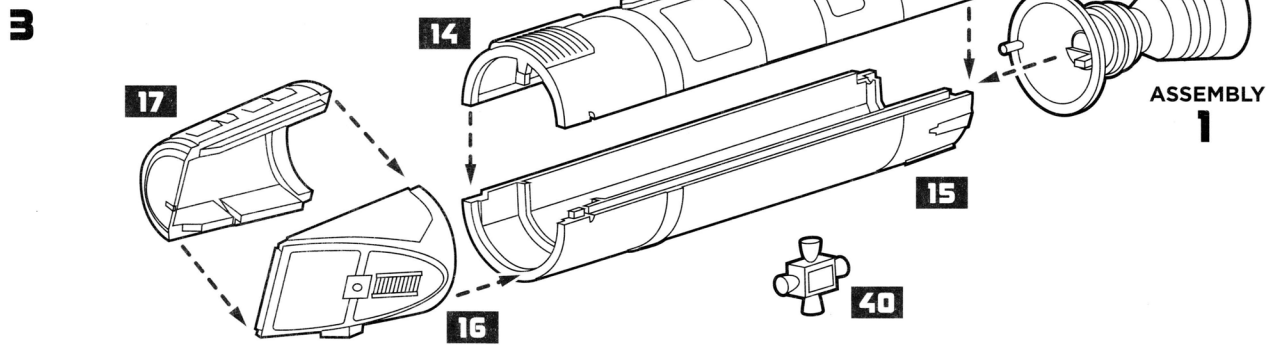
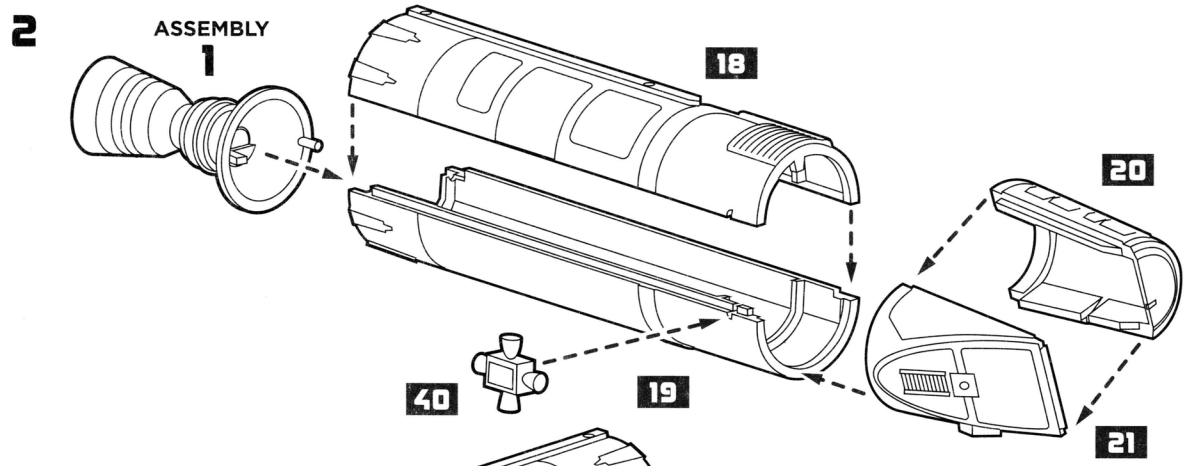
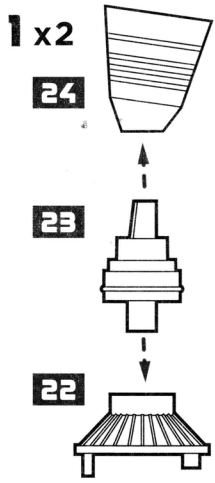
10. After all decals are applied, a spray of dull coat is suggested to bury and protect the decals as well as hide surface imperfections and supply a lifelike final appearance to the model.

The Hawk spaceship as designed by Brian Johnson was first rendered in a quick sketch documenting the general layout, but the final look of the model was determined by an interpretation of that sketch combined with the most economical way to build it. At least three models of it were made at different scales including 15" and 30". The largest "hero" model (presumably matching the 1/24th scale of the 44" Eagles) upon which this kit is based, was built specifically for Space:1999's 1st season episode "War Games". Entirely made from plastic, the model was relatively light weight compared to the Eagle models. The basic nosecone shape was made from sheet plastic vacuformed over carved wooden bucks and window panels also made from sheet plastic placed from the inside. Unlike the 44" Eagles, there was no cockpit interior made. The fuselage and main engine was made from Saturn 1/144th Saturn 1B and Saturn V kits, the boosters from sheet plastic wrapped around cardboard tubes. Detailing was made by kitbashing other model kits including the Harrier jump jet, SRN4 hovercraft, Gemini capsule, Lunar Excursion Module, the Russian Vostok rocket and AMT semi truck parts. Found objects were also used such as a wedding cake pillars and bed mattress vents simulating the underside VTOL thrusters. The rear engine bells were made from bottle caps and a tea dispenser set!

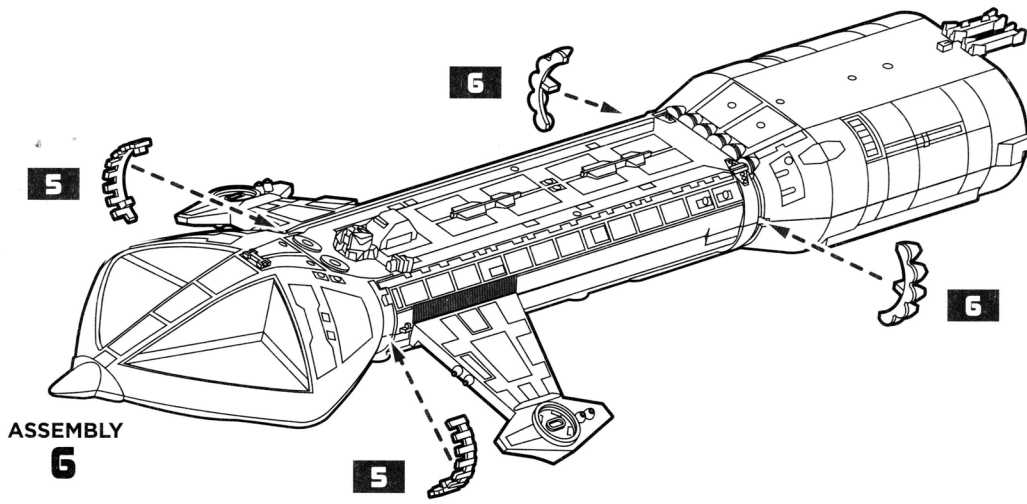
The finished models were originally painted overall white with various gray panels and black anti-glare panels on the nosecone section like the Eagles. The 30" model was photographed as such for some of the widely seen publicity photos done for the show before the episode was actually filmed.

It is reported that, just before initial effects photography of the episode, the director reasoned that the all-white paint job was considered too similar to the Eagles and may confuse viewers, so a last minute decision was made to add the orange sections to it to more obviously differentiate the ship from the Eagles. Artists at the studio quickly brush painted the models with Humbrol enamels (the actual orange color is unknown but thought by some to be Humbrol #18) and also changed the anti glare panels to white to make it much more distinguishable to the audience. That is how the model was filmed for the episode and as portrayed on the main box art of this kit.

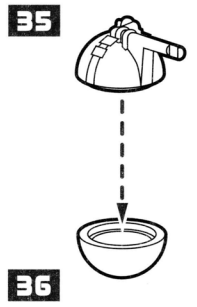
However, after filming the episode, and as seen in the famous Blackpool Exhibition of Gerry Anderson props and models, the anti glare panels on the nosecone were repainted black. Many publicly produced photos were published in various magazines in this final state. Therefore all three different paint schemes made it into the mainstream through casual photographs of the model at various stages of its existence and remains a subject of confusion for many fans.



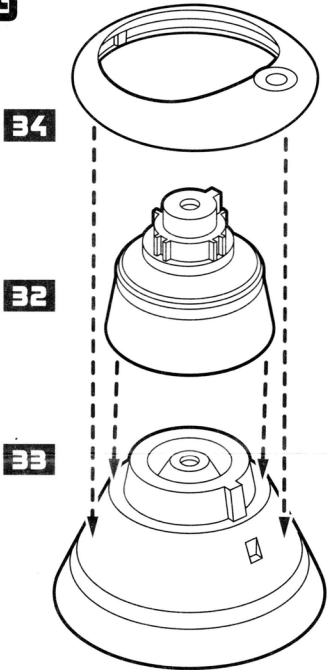
7



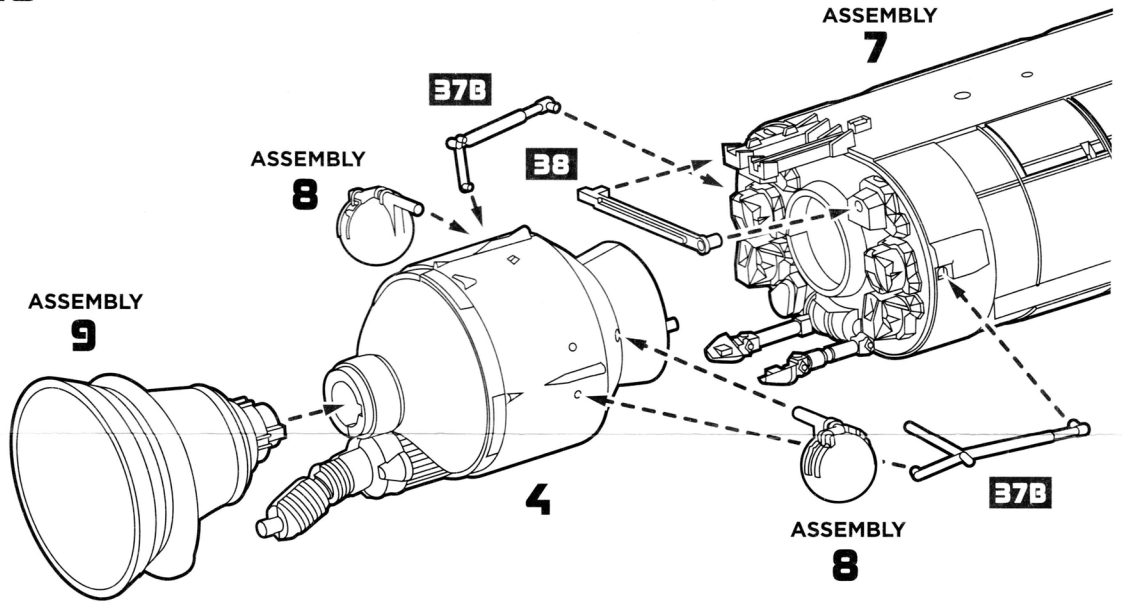
8 x2



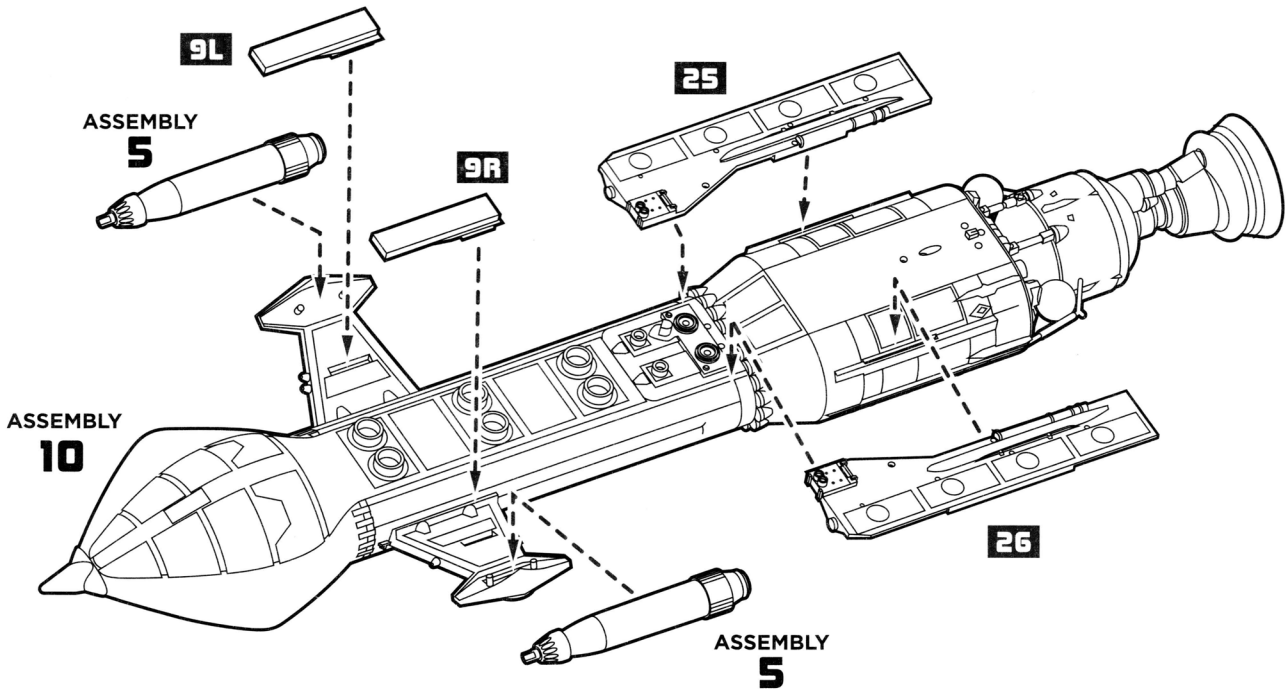
9



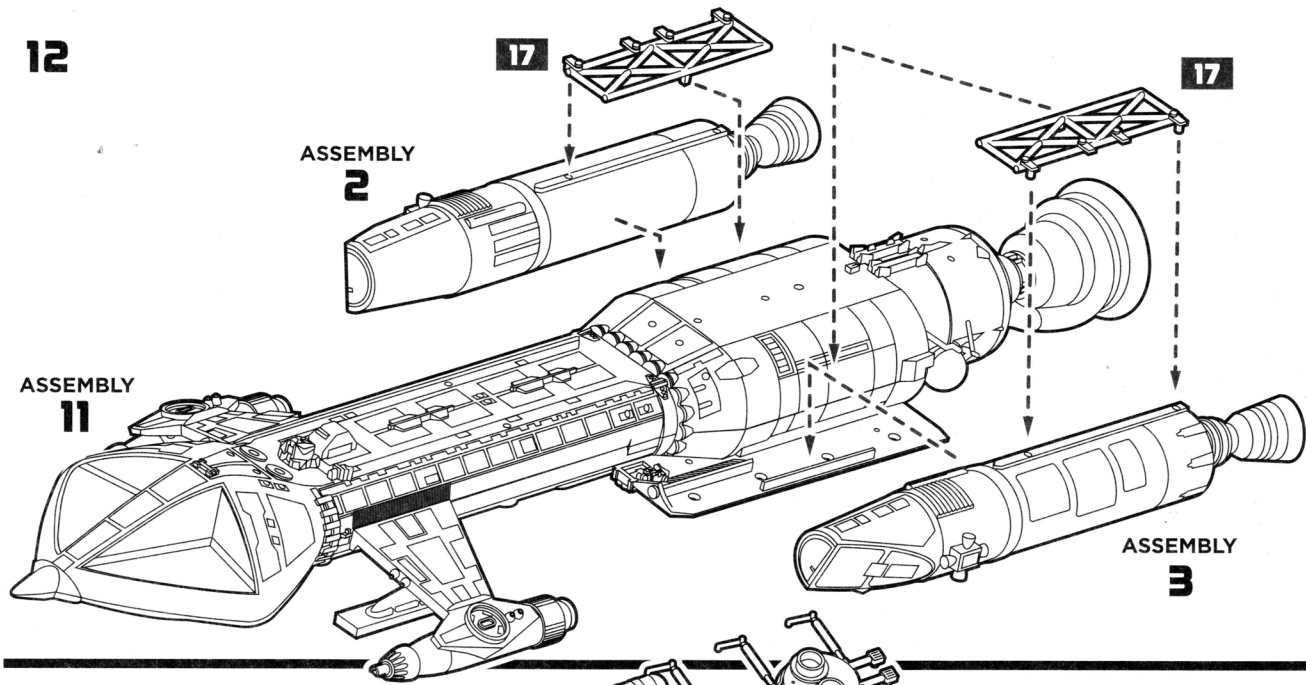
10



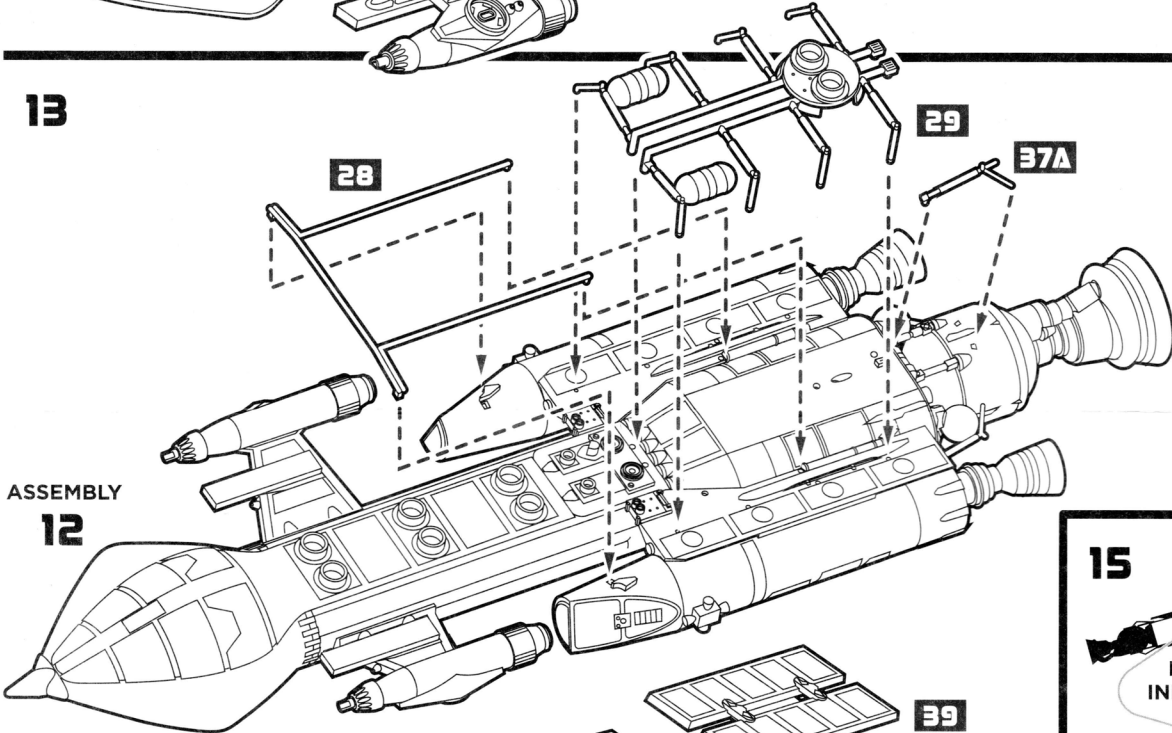
11



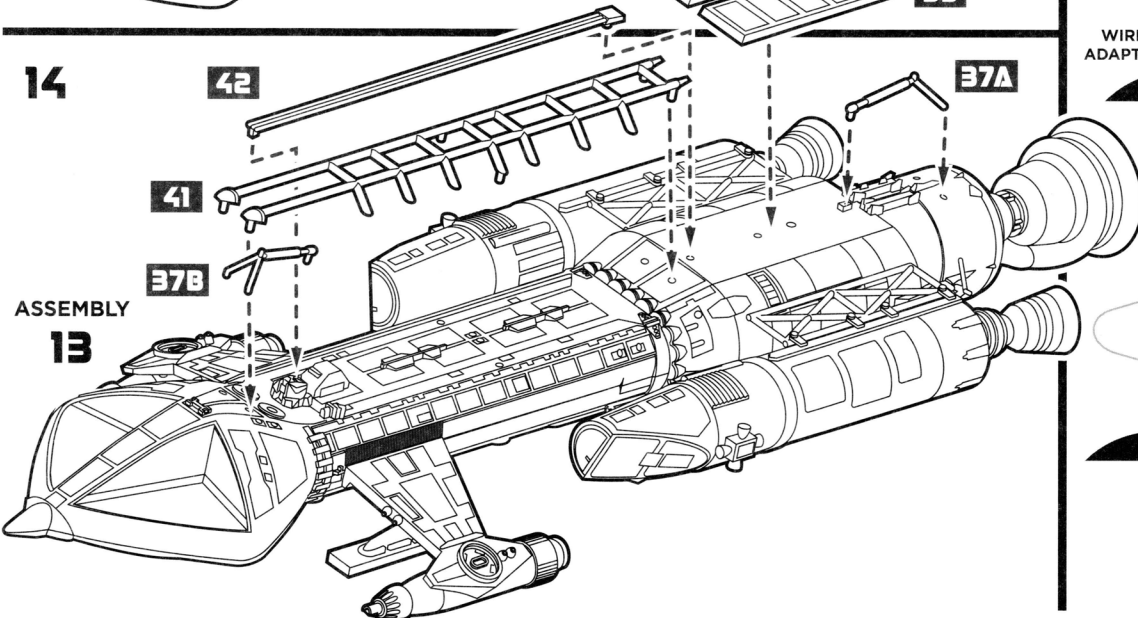
12



13



14



15

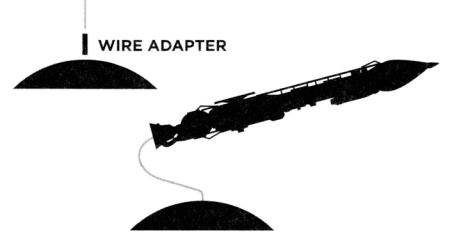
INSERT INTO HOLE IN BOTTOM OF SHIP.

NOTE LOCATION OF INNER SUPPORT WALLS.

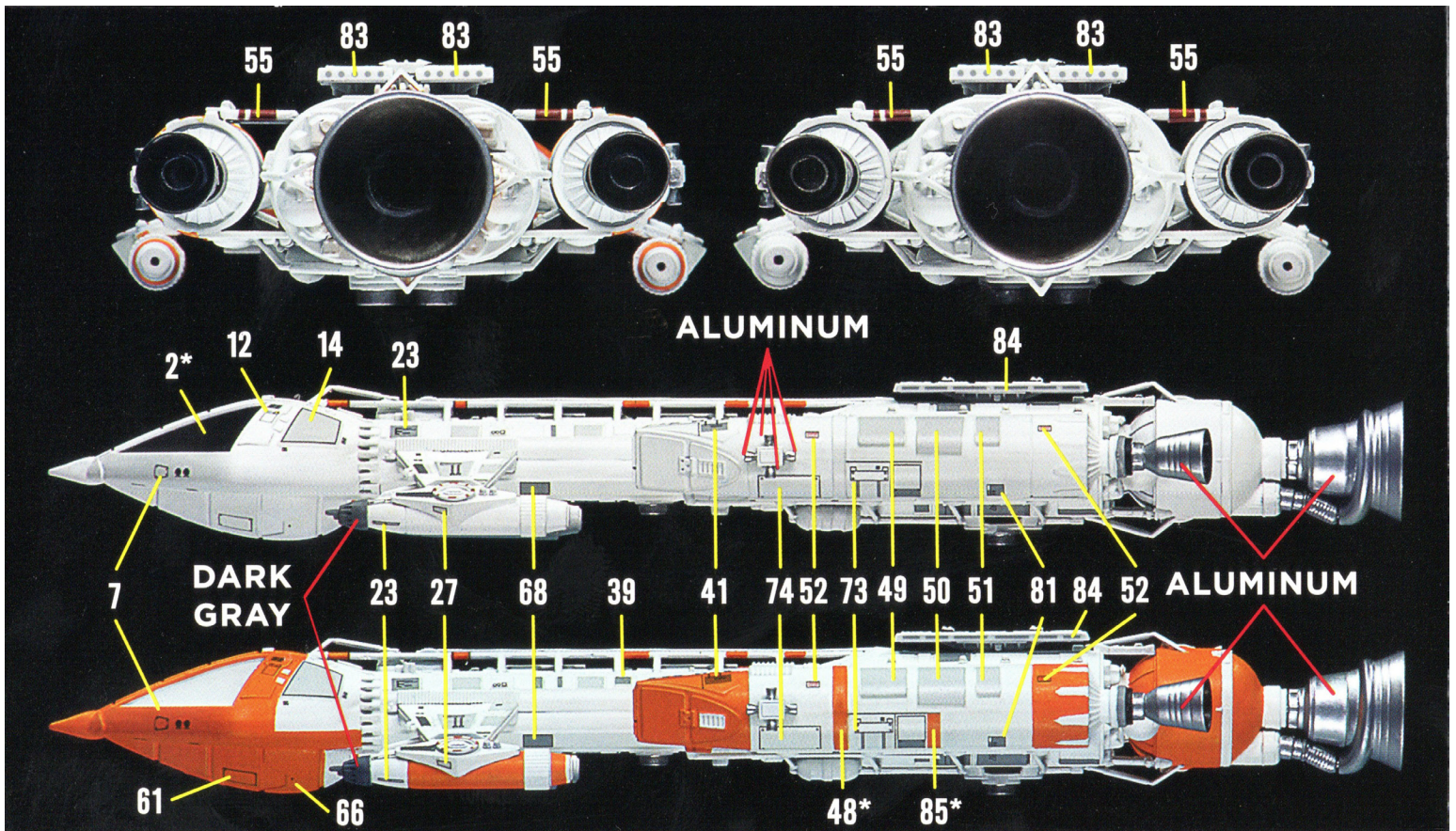
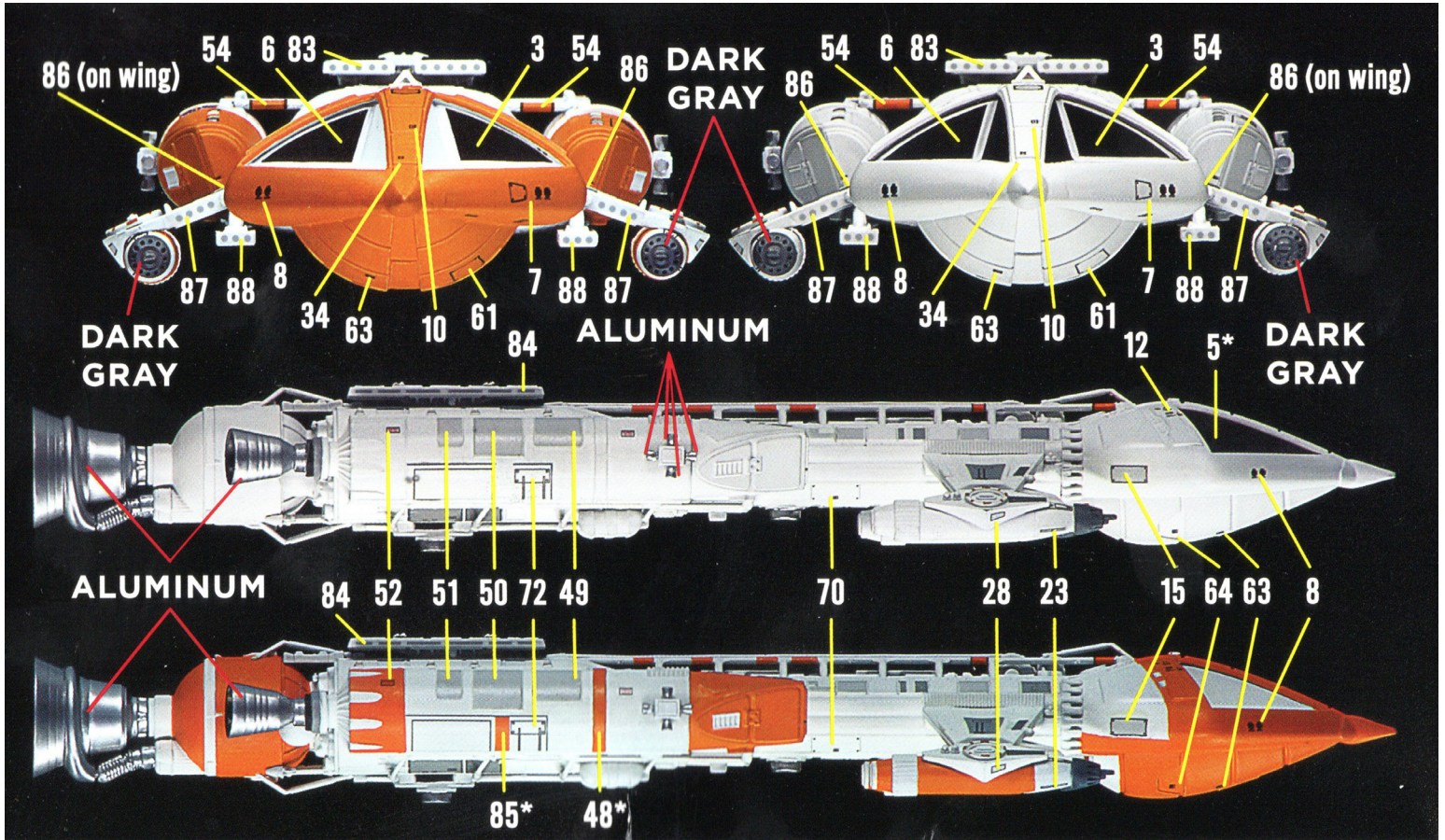


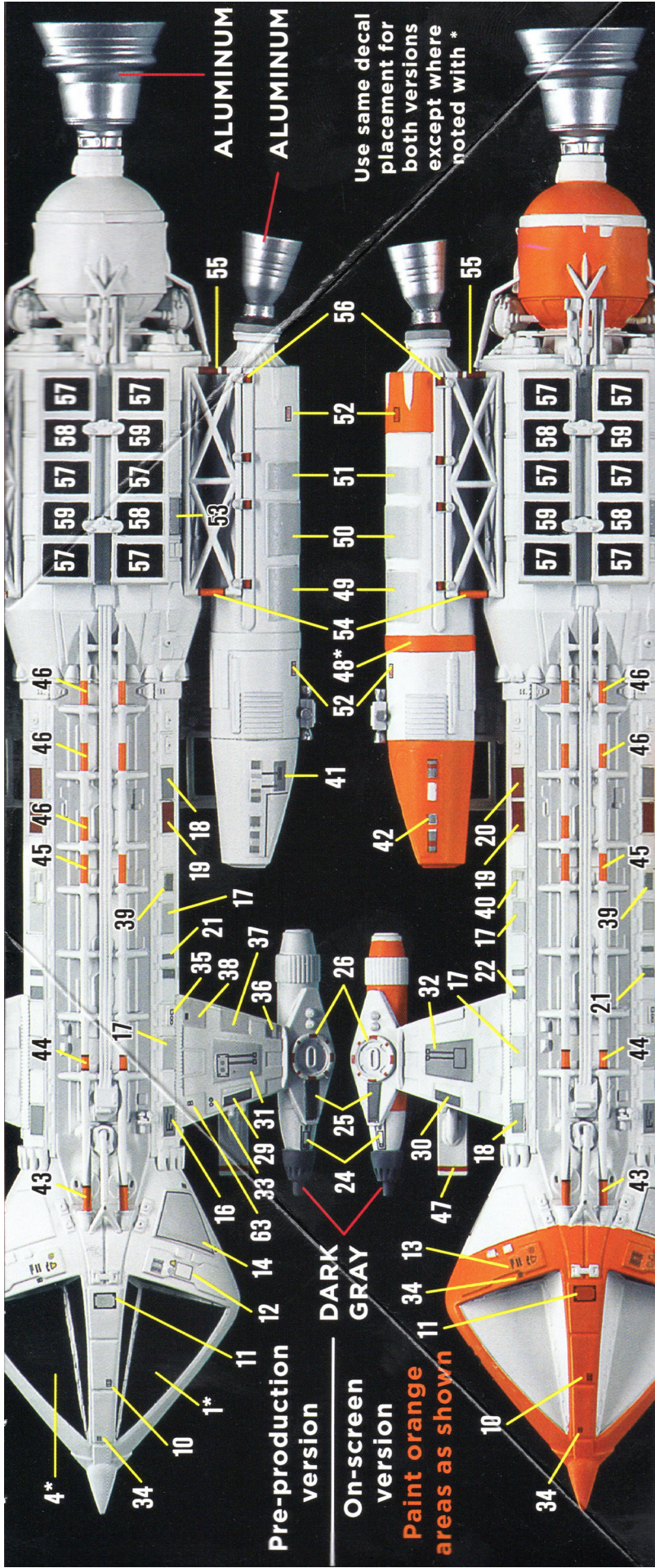
OR

INSERT INTO MAIN ENGINE BELL. (ADJUST BEND IN WIRE)



# Painting and Decal Placement





ALUMINUM  
ALUMINUM

Use same decal placement for both versions except where noted with \*

4\*

34

10

1\*

11

12

14

63

33

29

31

16

43

44

17

39

19

21

35

38

37

17

18

DARK GRAY

24

25

26

32

17

22

17

40

19

20

42

52

48\*

54

49

50

51

52

Pre-production version

On-screen version

Paint orange areas as shown

57

59

57

58

57

59

57

58

57

59

57

58

57

59

57

58

57

59

57

58

57

59

57

58

57

46

45

46

46

46

46

46

46

46

46

46

46

46

46

46

46

46

46

46

41

52

48\*

54

49

50

51

52

52

52

52

52

52

52

52

52

52

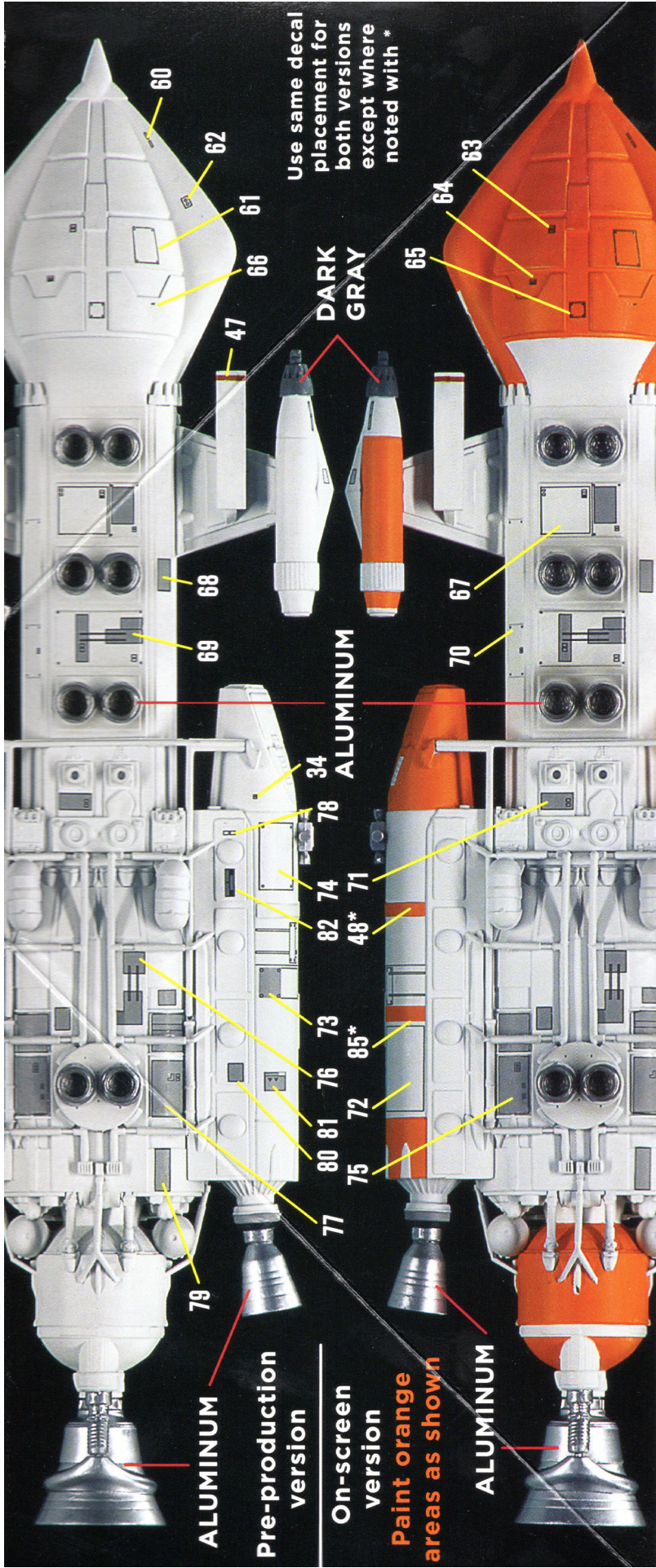
52

52

ALUMINUM

ALUMINUM

Use same decal placement for both versions except where noted with \*



Use same decal placement for both versions except where noted with \*

DARK GRAY

ALUMINUM

ALUMINUM

Pre-production version

On-screen version

Paint orange areas as shown

ALUMINUM