

TBM-3 AVENGER

1:32 Scale

格鲁曼TBM-3"复仇者"鱼雷攻击机

READ BEFORE ASSEMBLY

- Study and understand these instructions thoroughly before beginning assembly. Make sure all parts are included by comparing them to those shown on pages 2 & 3 of these instructions.
- Remove parts from sprues as needed, and trim excess with a hobby knife. Be careful not to lose small parts.
- Remove photo-etch parts from sprue as needed using a hobby knife or photo etch cutter.
- Apply cement to photo etch parts as shown on instructions. Applying too much cement will restrict the operation of these

movable parts. Apply cement carefully! Removed photo etch parts can have sharp edges. Take care when handling these to avoid injury.

- Apply decals to necessary parts prior to assembly.
- Additional tools recommended(not included):Sprue cutter, Long nose pliers, hobby knife, file, tweezers, pin vise, scissors, cement, sandpaper, soft cloth, glue and paint.
- Keep all parts out of reach of children, as they pose a choking hazard. Discard all unnecessary bags and sprues when model is completed to avoid accidental injury.

装配之前仔细阅读

- 小心用模型锉刀锉平所有零件表面的注射浇口。
- 小心用刀片切下蚀刻片零件，不要遗失小零件。
- 用强力快干胶水粘合蚀刻片零件和金属轴。过量的快干胶水使用可能导致可动零件会粘住，小心涂胶。
- 取蚀刻片时应特别注意安全，防止利边划伤手指。
- 某些零件表面需贴水贴纸，请选择在装配的同时进行。
- 推荐模型工具(自备)：胶水，水口剪刀，长咀钳，刀片，锉刀，镊子钳，钻，剪刀，瞬间快干胶。
- 软布同砂纸同时也应该是必备工具。
- 请使用塑料胶水和油漆，模型内不含。
- 谨防小孩吸吮塑料零件，或者将塑料袋套在头上，制作时应将套材远离小孩接触。

水贴纸的使用:

1. 从水贴纸上剪下印花;
2. 将印花放入温水中浸10秒, 然后放在干净布上。
3. 拿着印花纸板将印花移到模型上;
4. 手指蘸水将印花移到适当的位置;
5. 用软布轻压印花直至水干, 气泡消失。

DECAL APPLICATION

1. Cut off decal from sheet.
2. Dip the decal in tepid water 40° C for about 10 sec. and place on a clean cloth.
3. Hold the backing sheet edge and slide decal onto the model.
4. Move decal into position by wetting decal with finger.
5. Press decal gently down with a soft cloth until excess water and air bubbles are gone.



cyanocrylate glue
使用强力胶



weight
配重



make hole
钻孔



cut / remove
切除



option
选择



no cement
不涂胶水



decal
贴纸



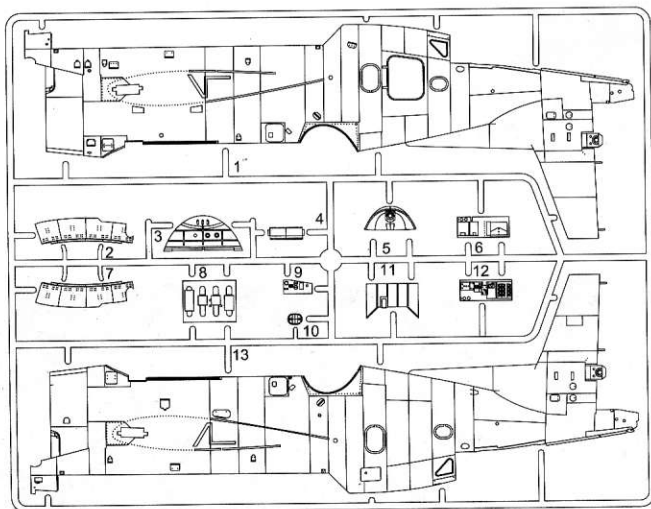
bend
弯曲



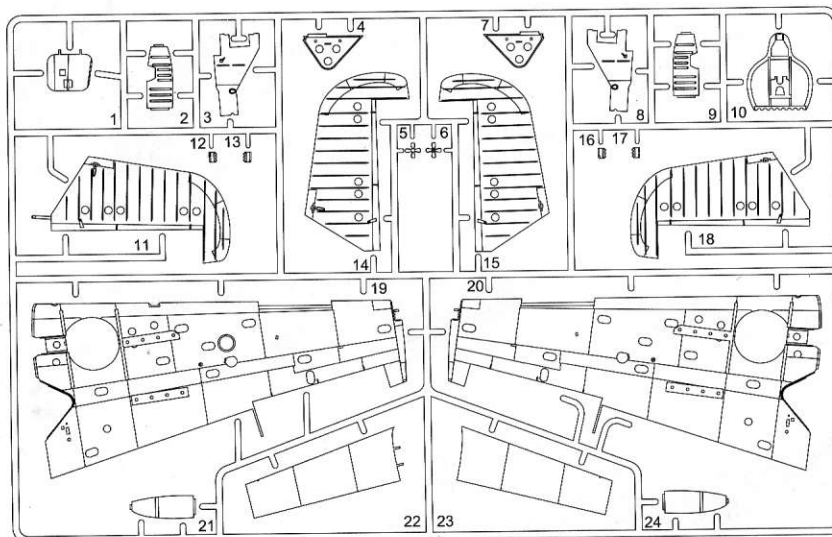
file / sand
锉平

部品图
parts

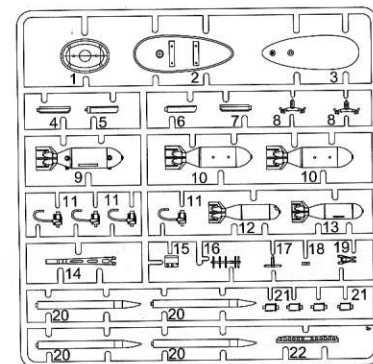
A



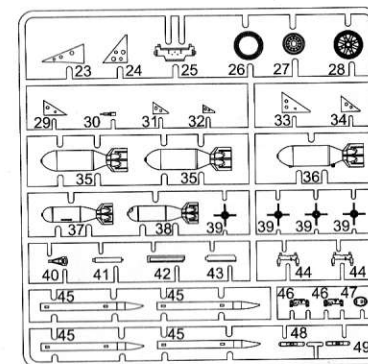
B



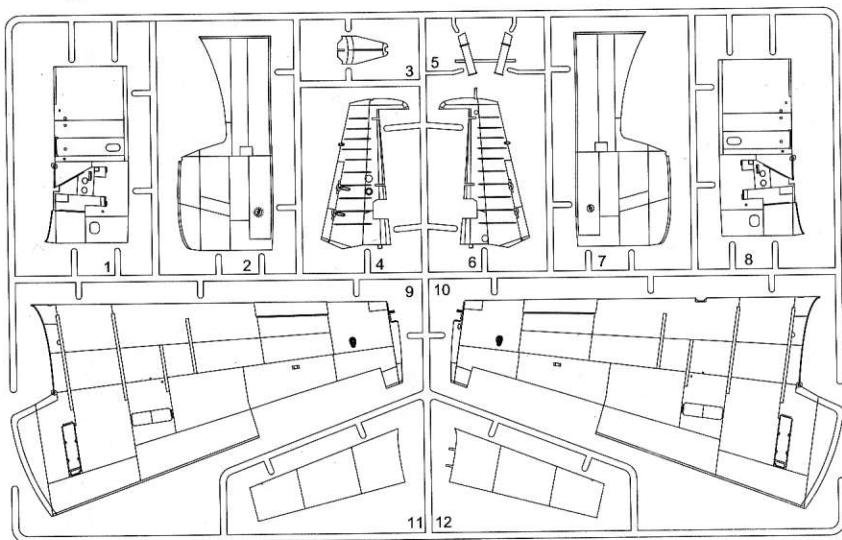
J1X2



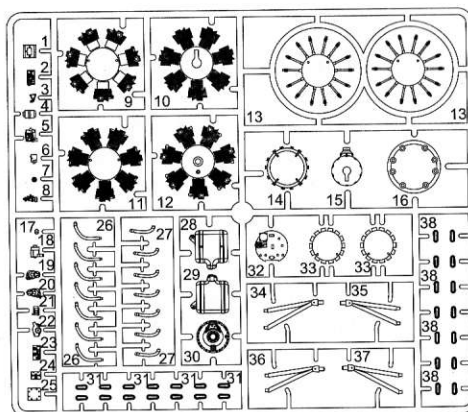
J2X2



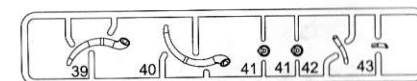
C



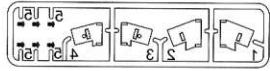
D1



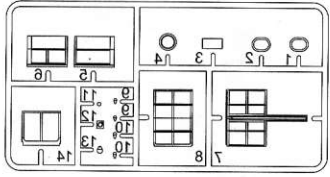
D2



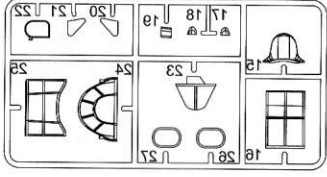
Parts not for use
未用零件: G10, G26



L



K1

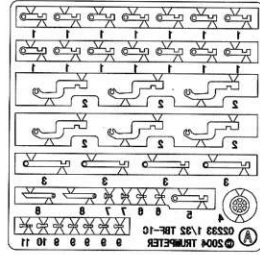


K5



Film

Photo Etched parts (A)



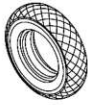
Turret
球架炮塔



Instrument panel
仪表盘



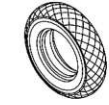
Main tire
主轮胎



Tail tire
尾轮胎



Shaft
轴

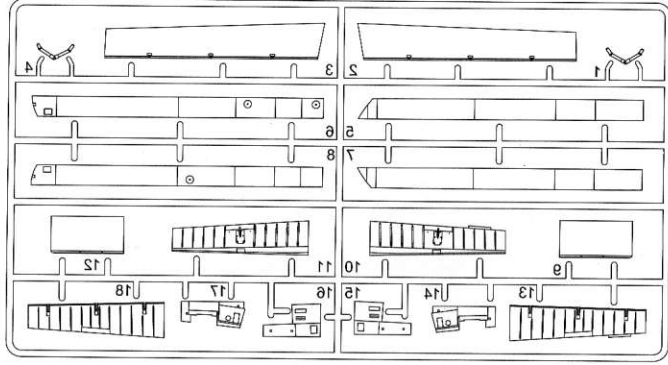


19PCS

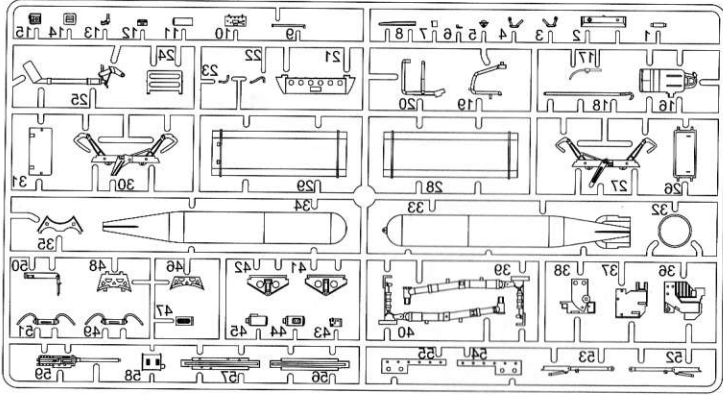
Rope
绳

1PCS

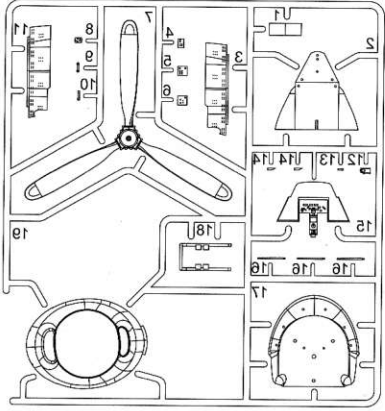
E



H



F



G

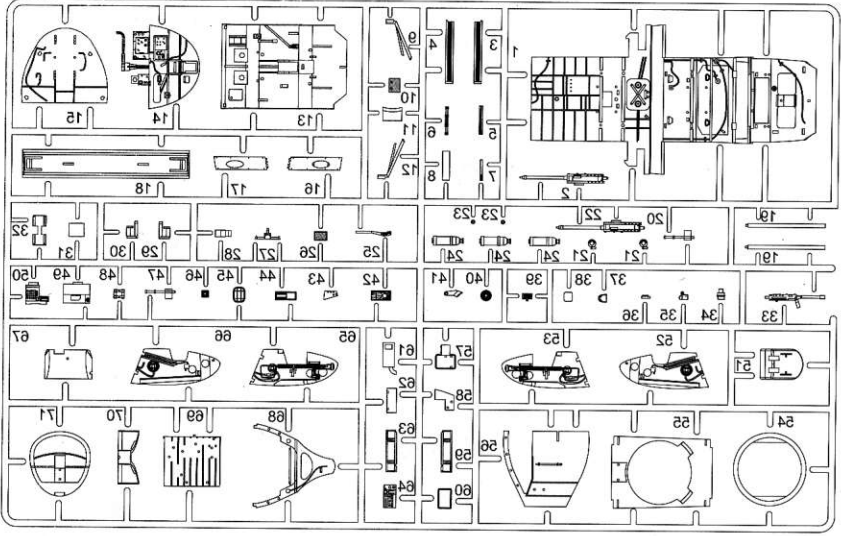
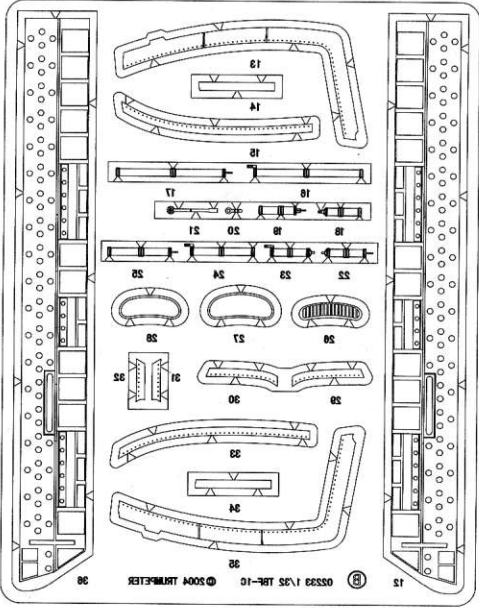
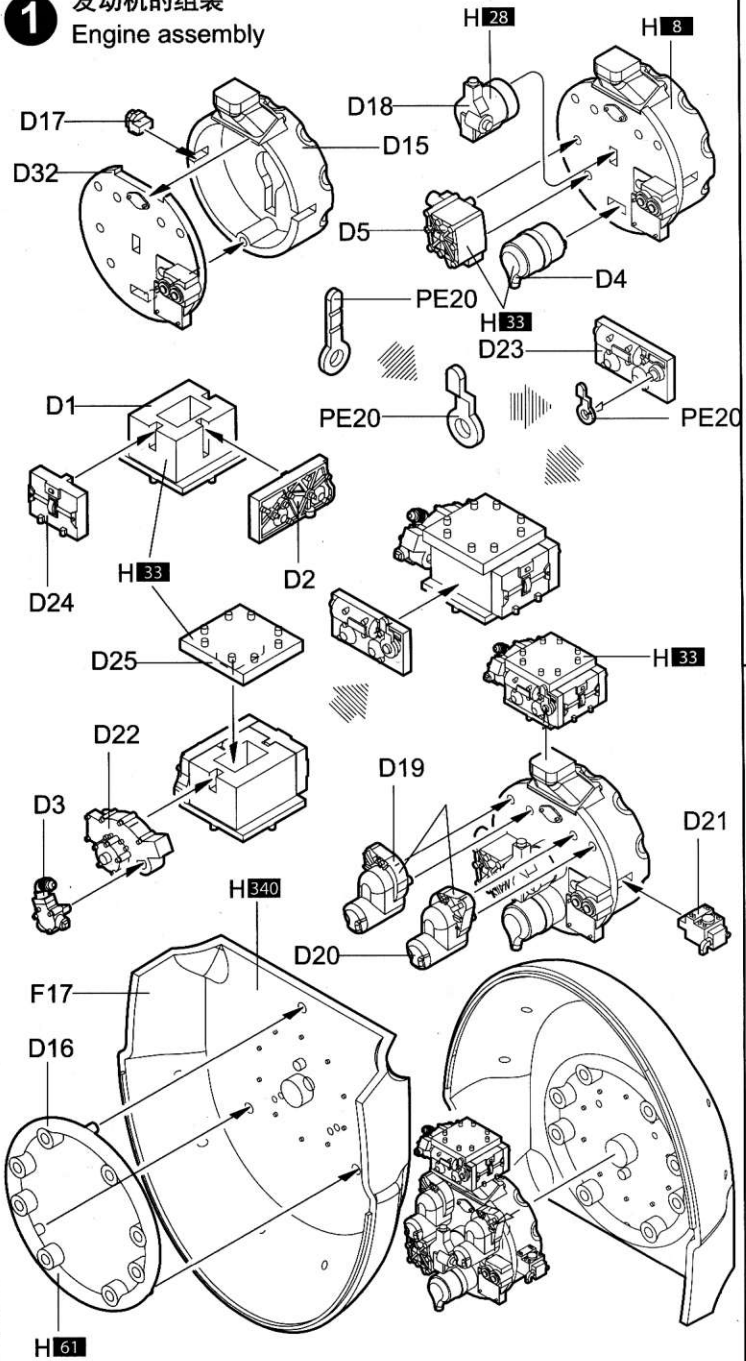


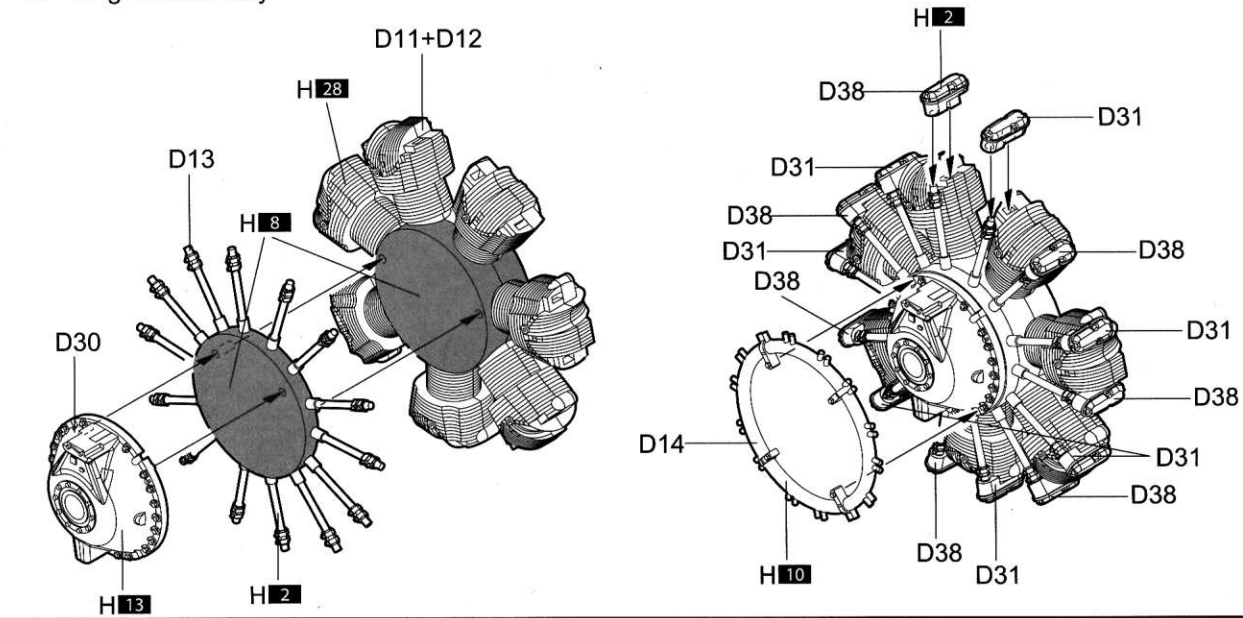
Photo Etched parts (B)
蚀刻片(B)



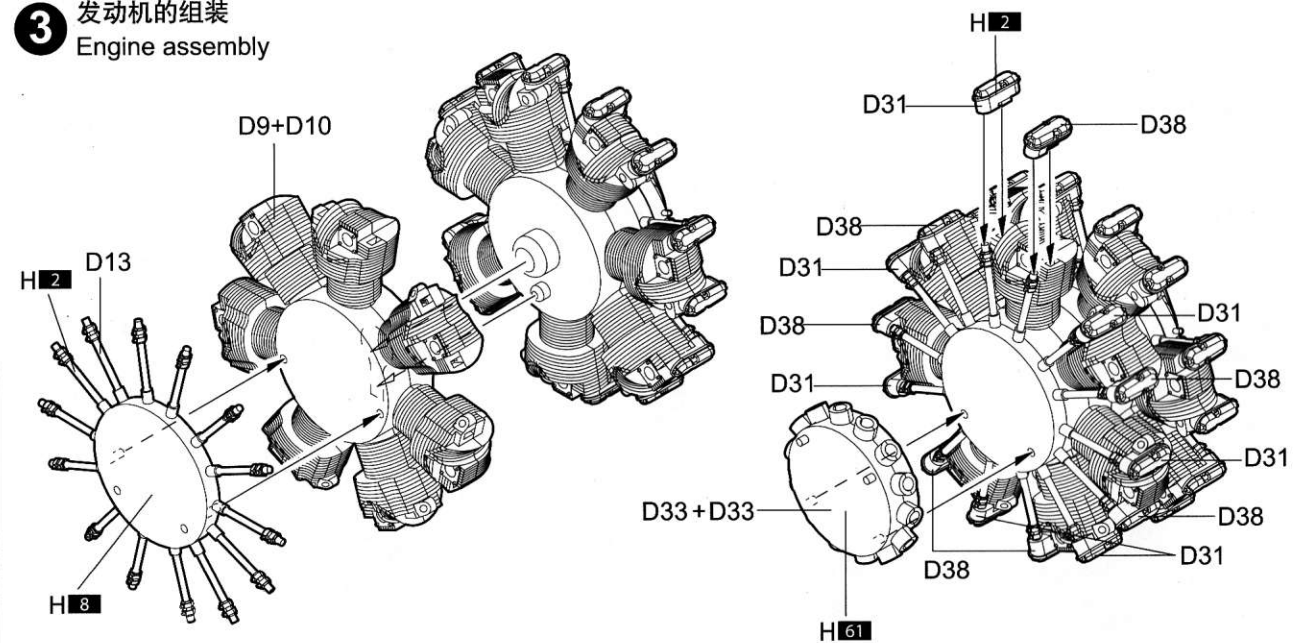
1 发动机的组装
Engine assembly



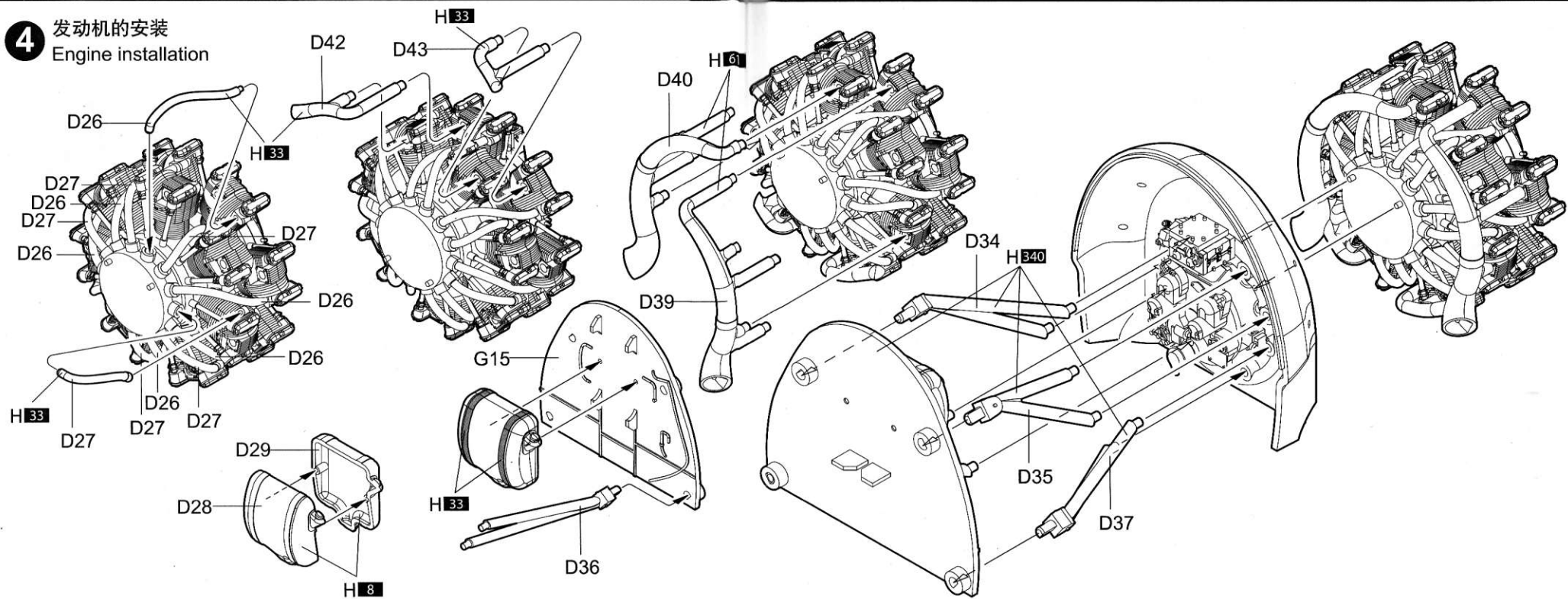
2 发动机的组装
Engine assembly



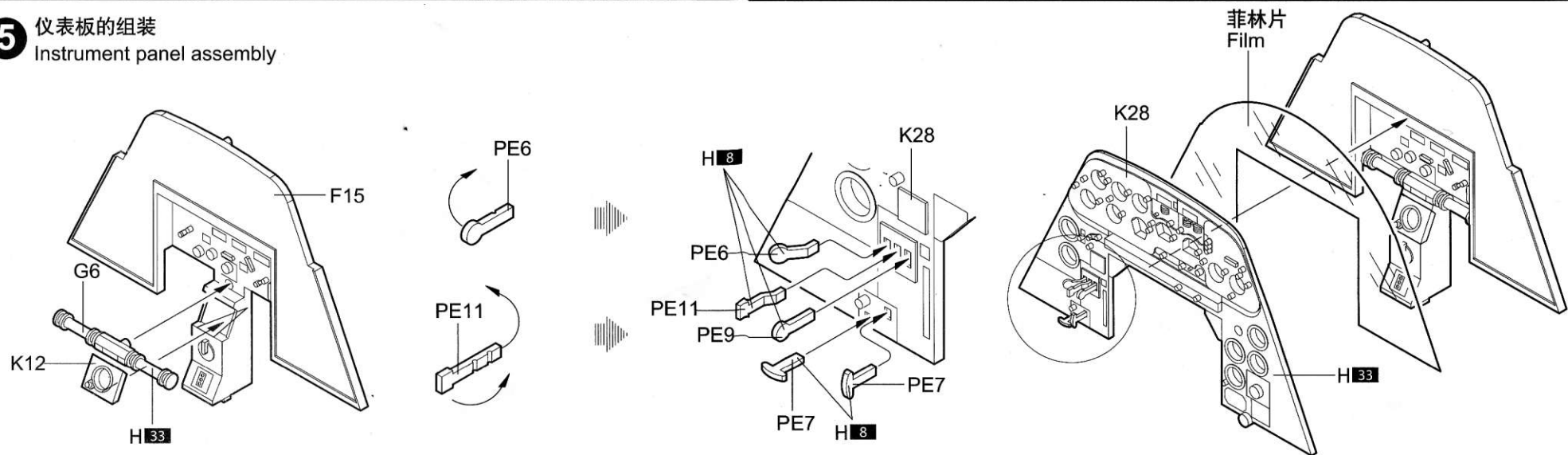
3 发动机的组装
Engine assembly



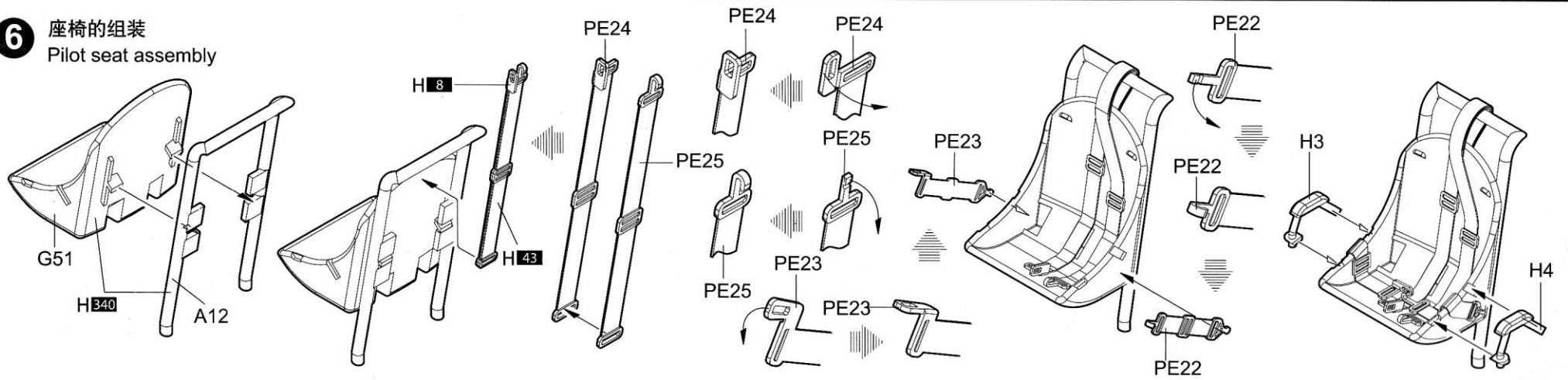
4 发动机的安装
Engine installation



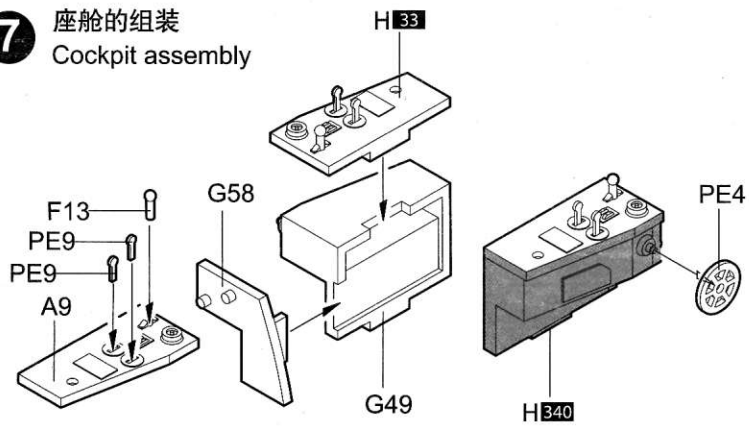
5 仪表板的组装
Instrument panel assembly



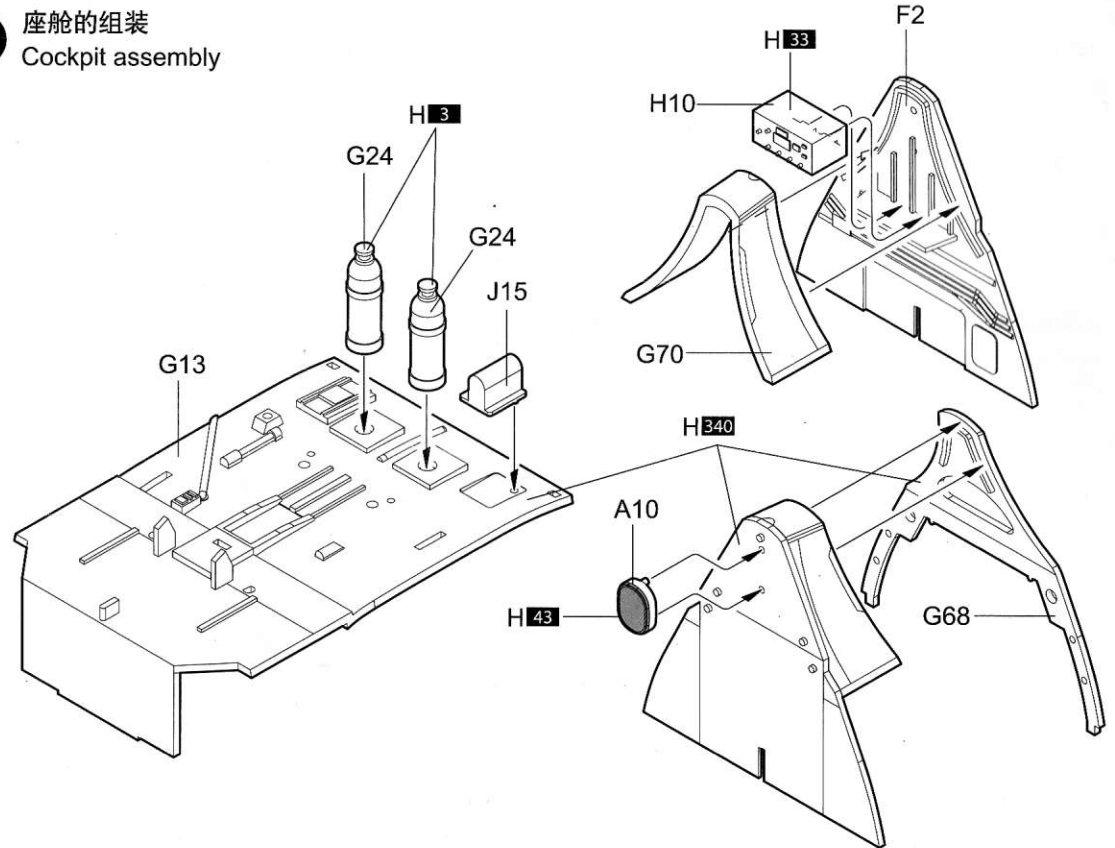
6 座椅的组装
Pilot seat assembly



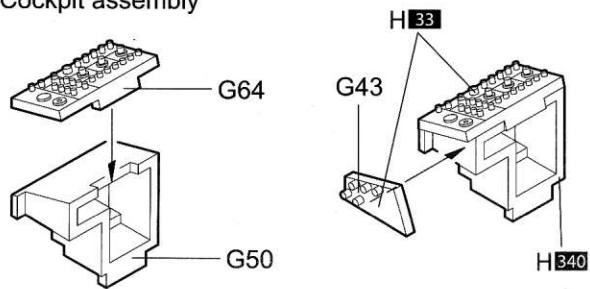
7 座舱的组装
Cockpit assembly



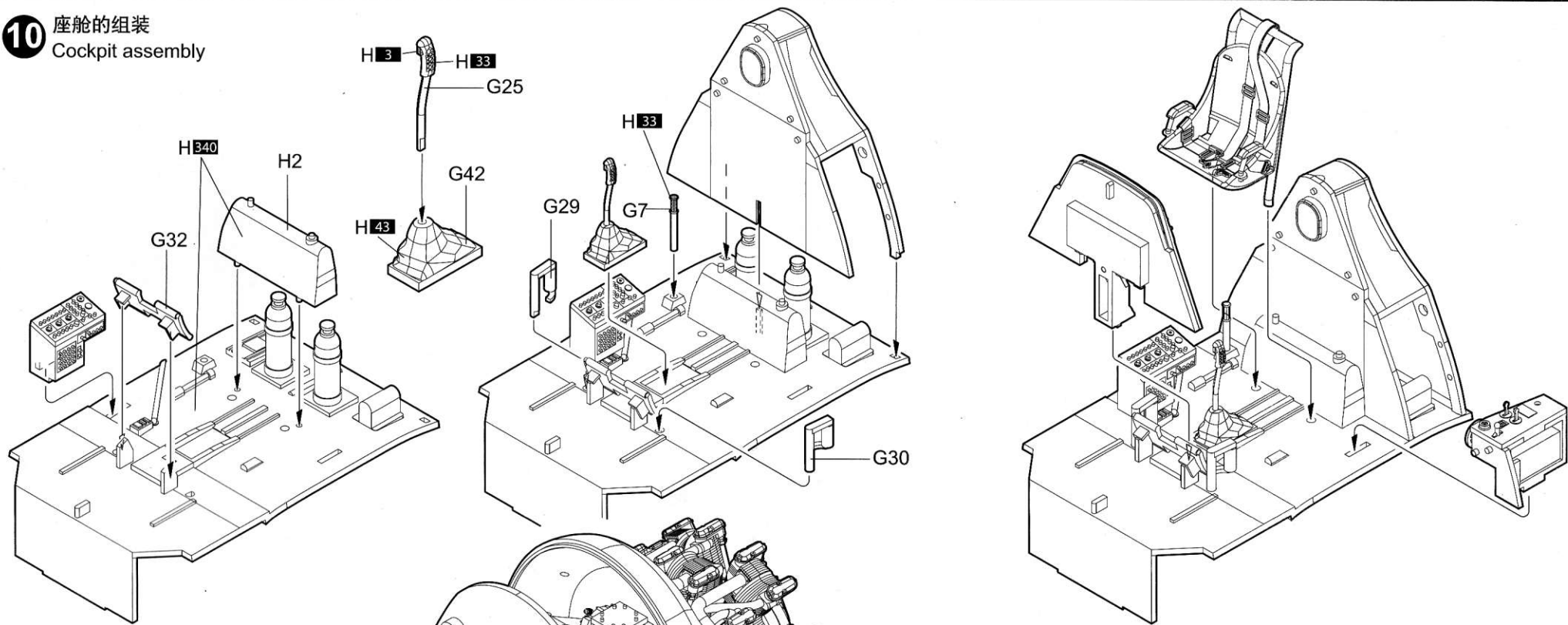
9 座舱的组装
Cockpit assembly



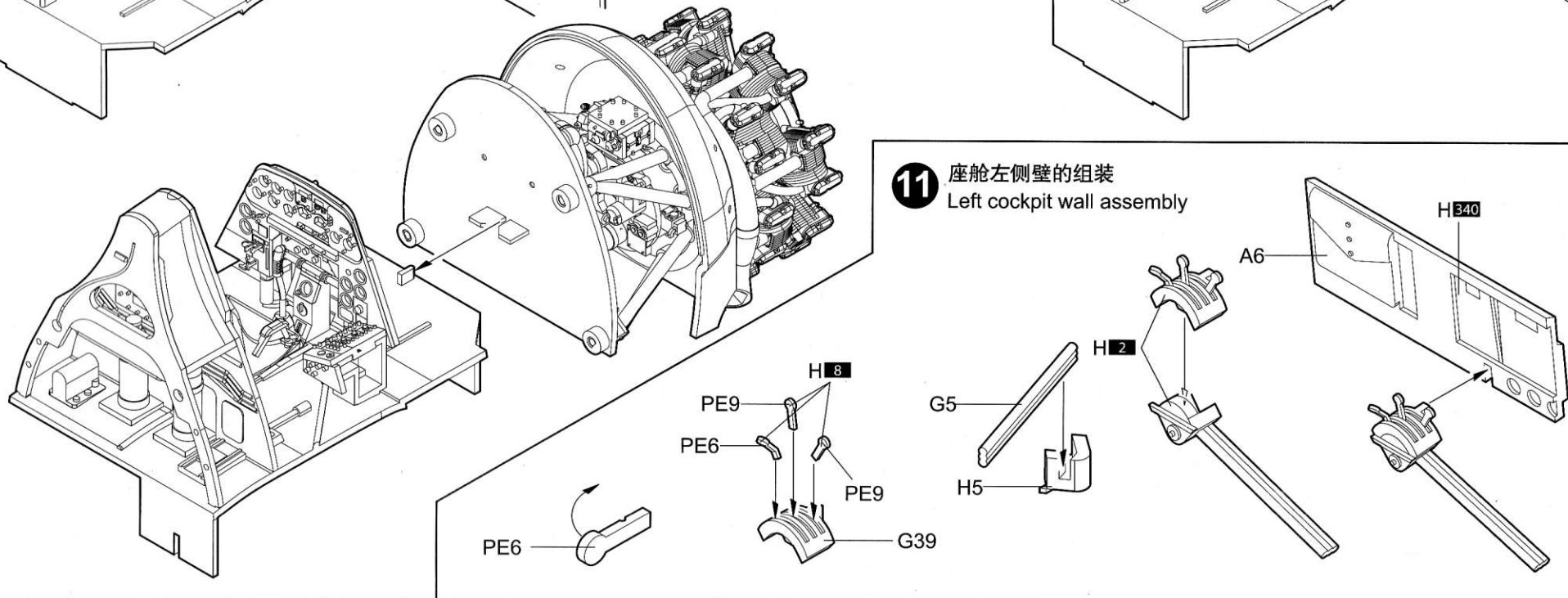
8 座舱的组装
Cockpit assembly



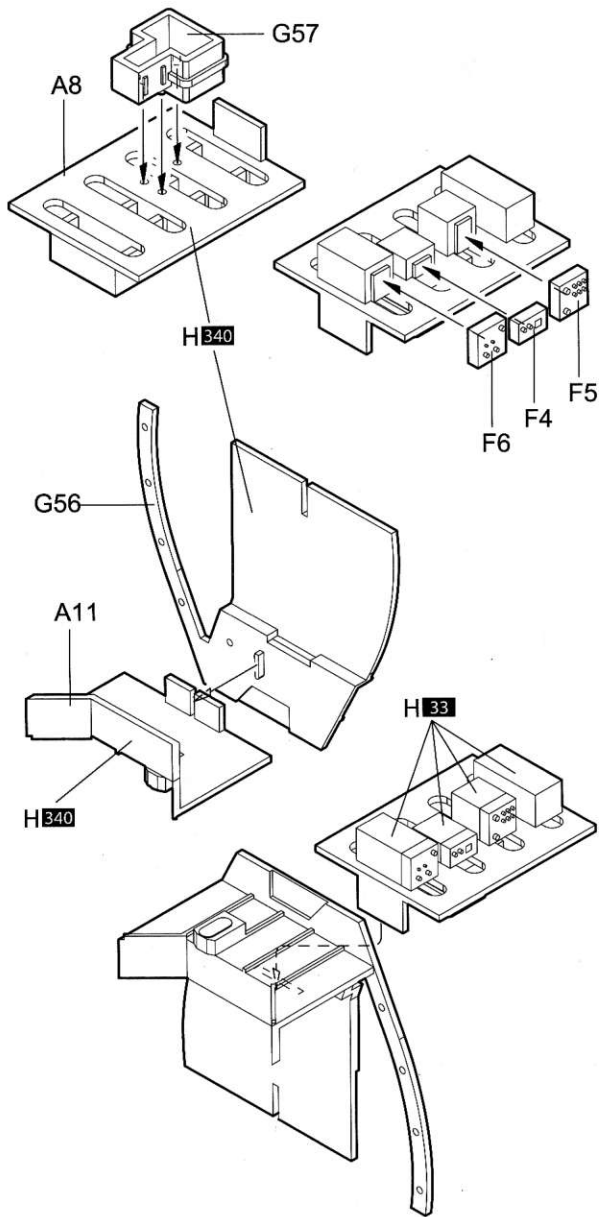
10 座舱的组装
Cockpit assembly



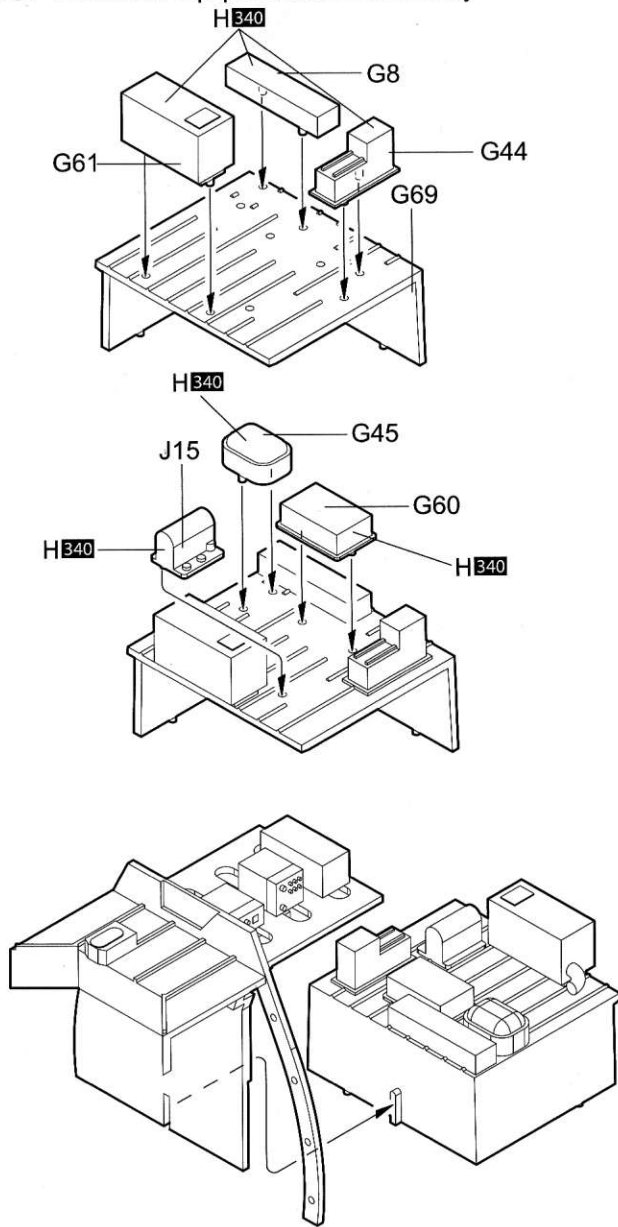
11 座舱左侧壁的组装
Left cockpit wall assembly



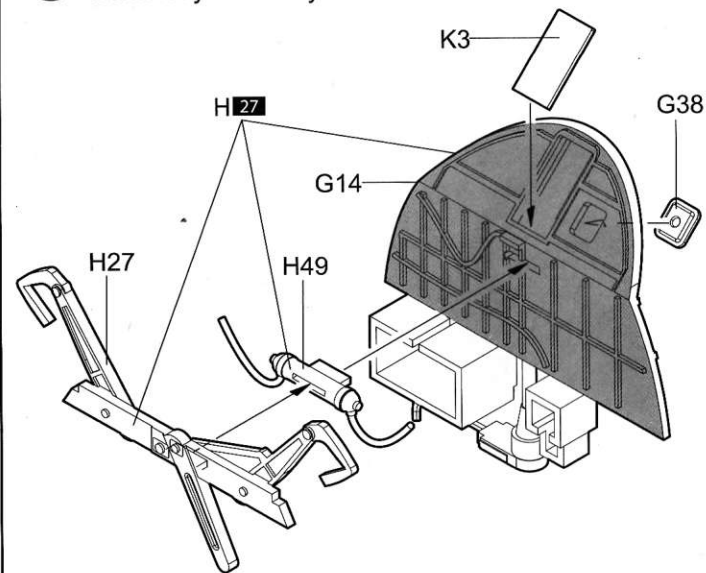
12 电子设备舱的组装
Electronic equipment cabin assembly



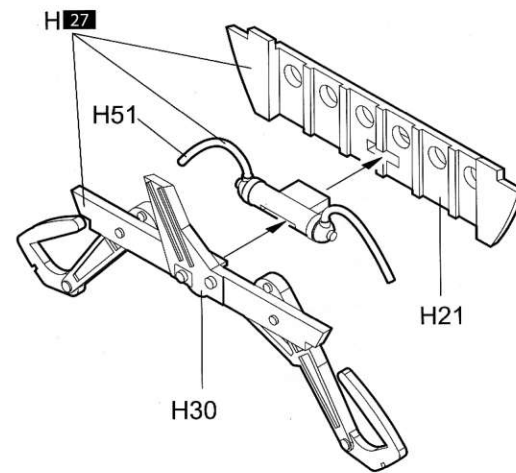
13 电子设备舱的组装
Electronic equipment cabin assembly



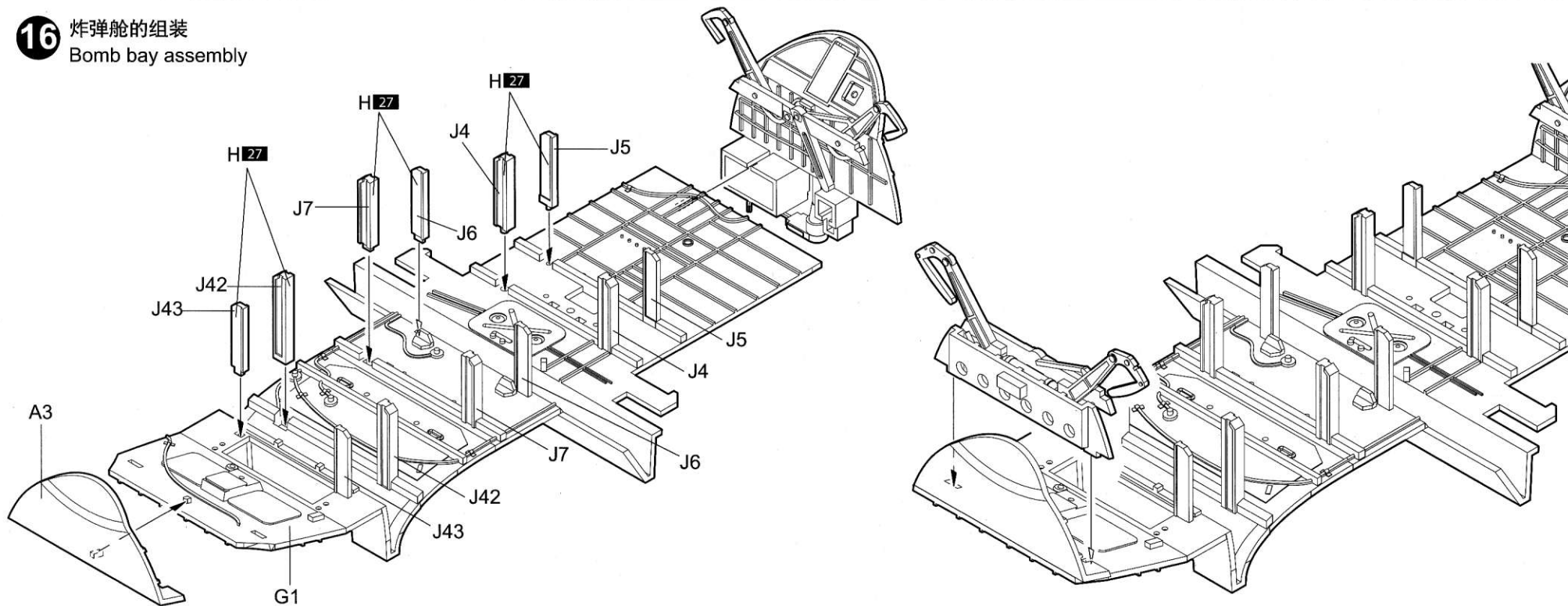
14 炸弹舱的组装
Bomb bay assembly



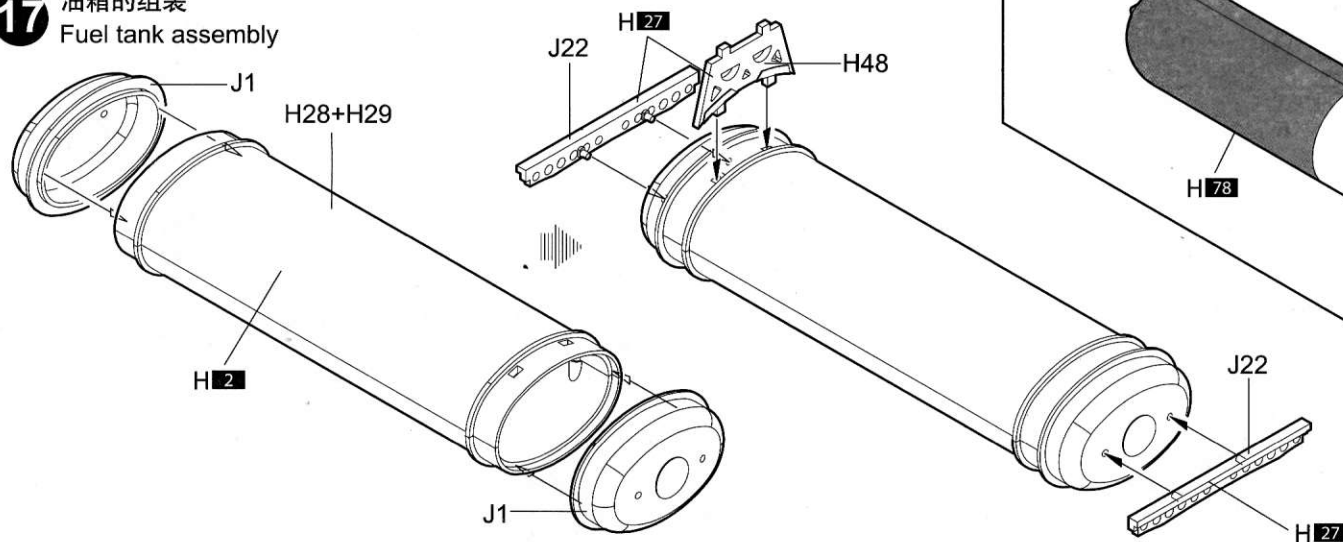
15 炸弹舱的组装
Bomb bay assembly



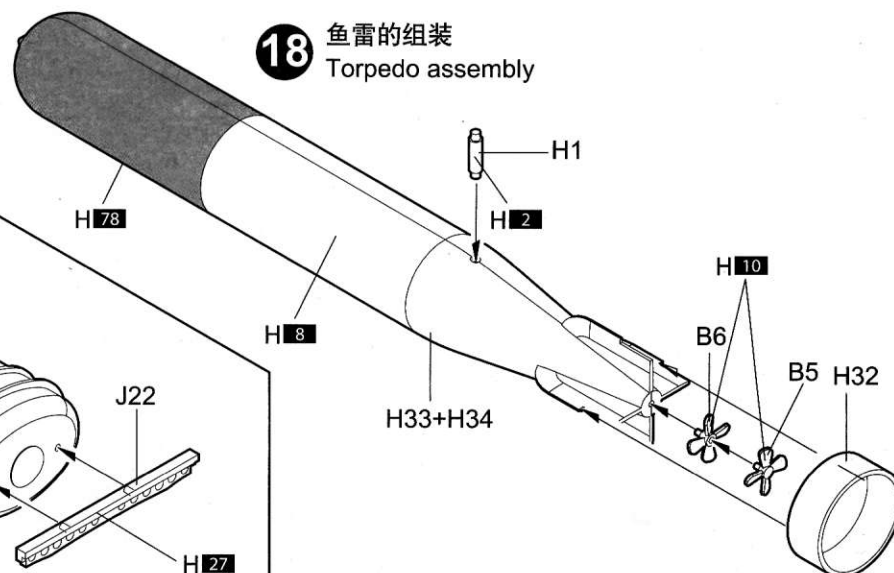
16 炸弹舱的组装
Bomb bay assembly



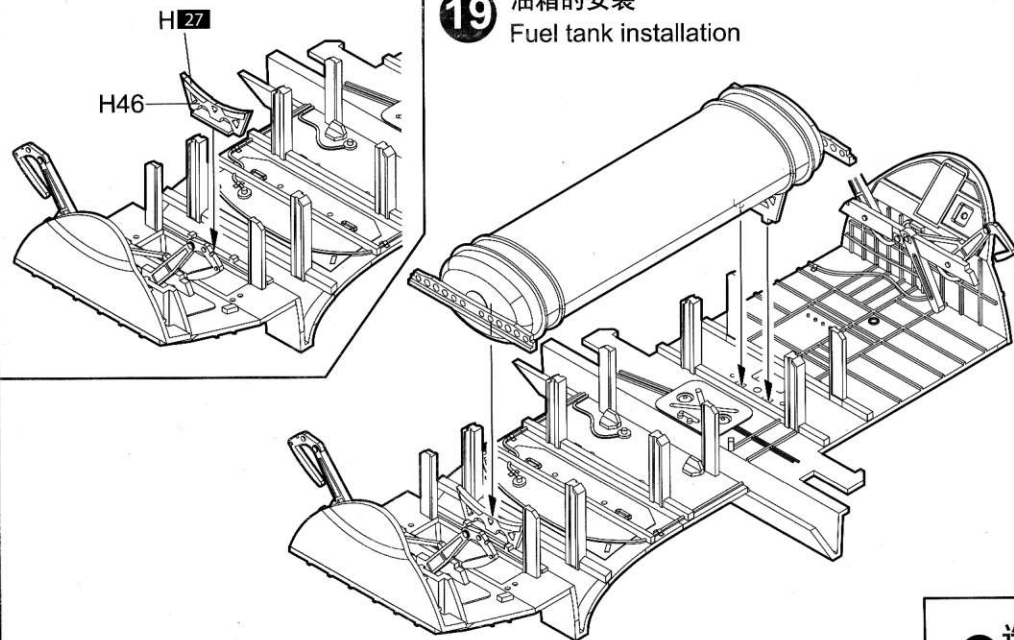
17 油箱的组装
Fuel tank assembly



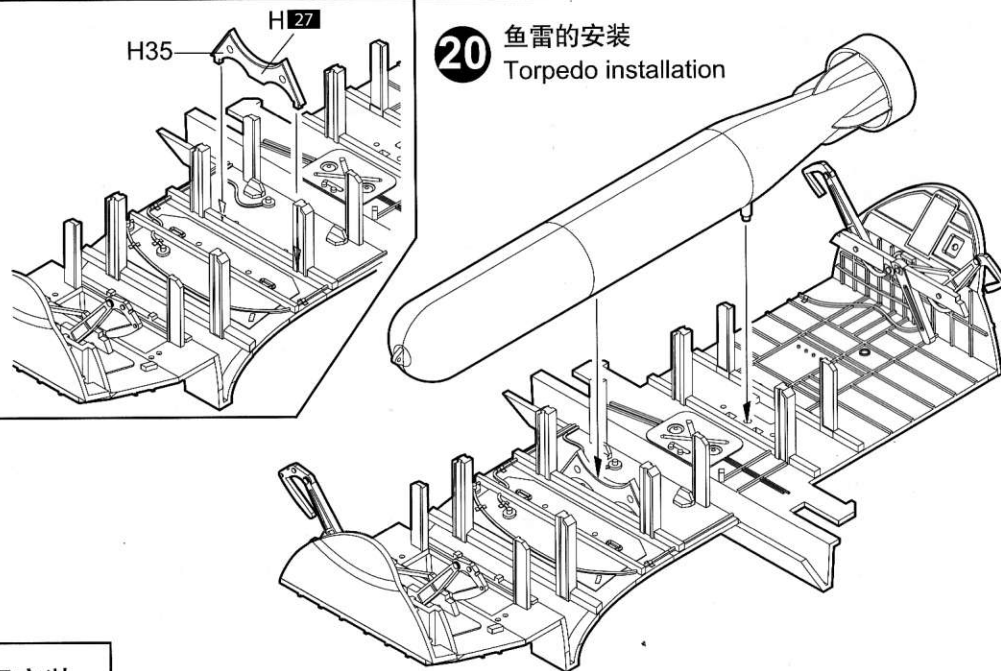
18 鱼雷的组装
Torpedo assembly



19 油箱的安装
Fuel tank installation

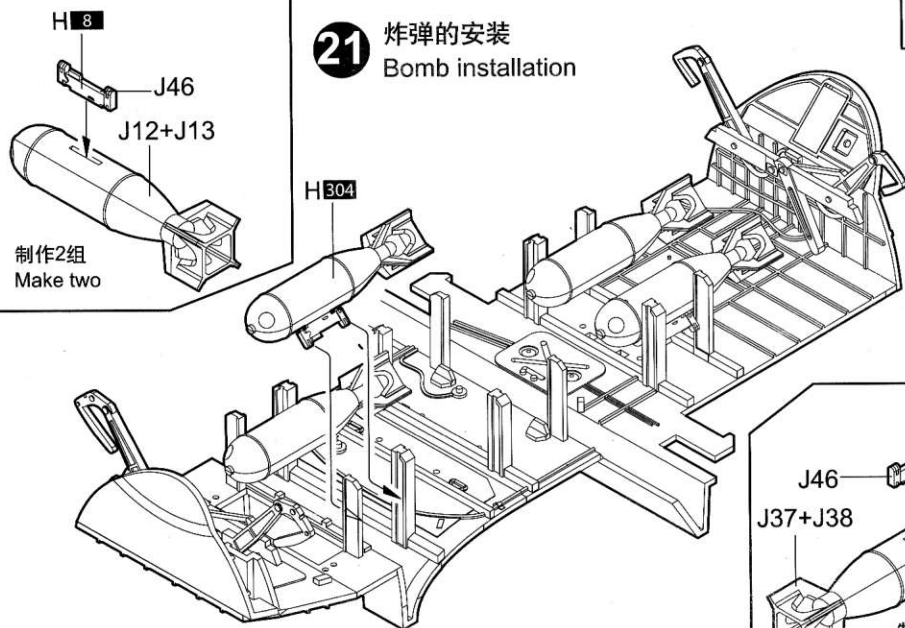


20 鱼雷的安装
Torpedo installation

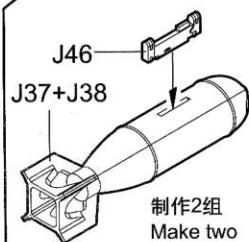
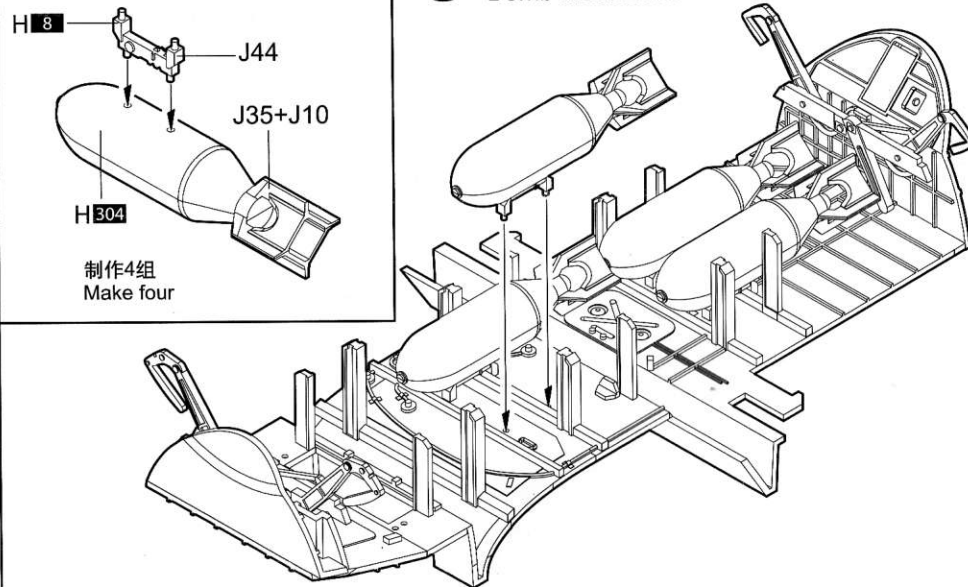


? 选择安装
Option

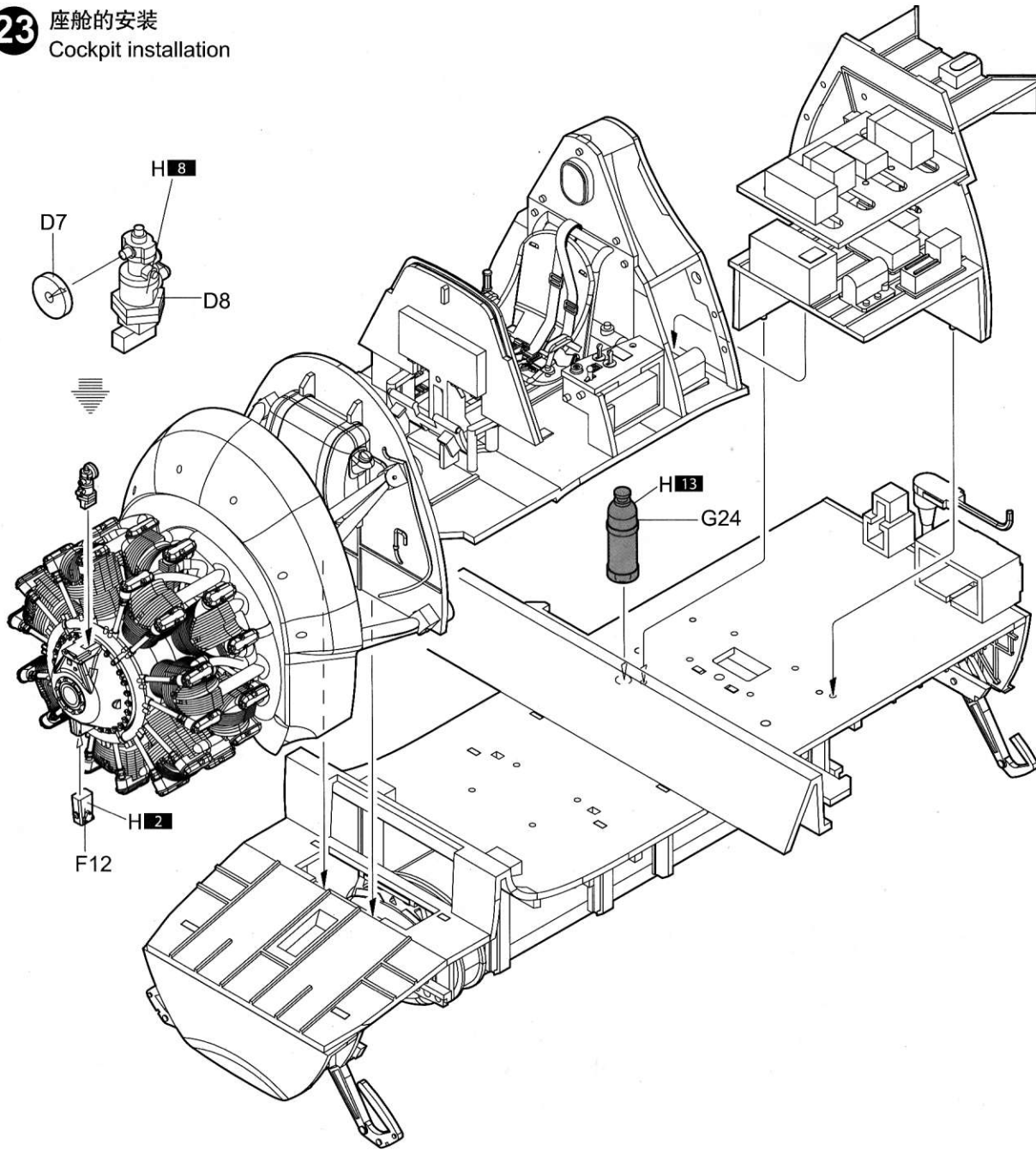
21 炸弹的安装
Bomb installation



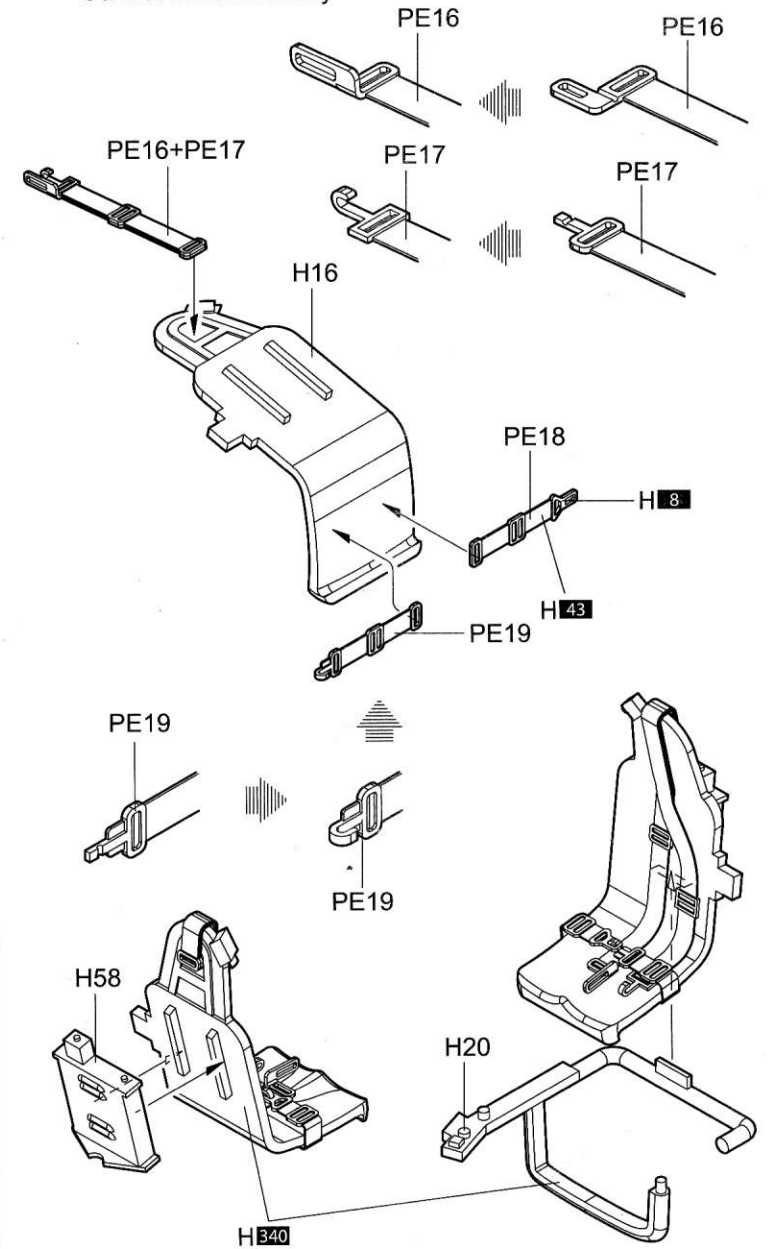
22 炸弹的安装
Bomb installation



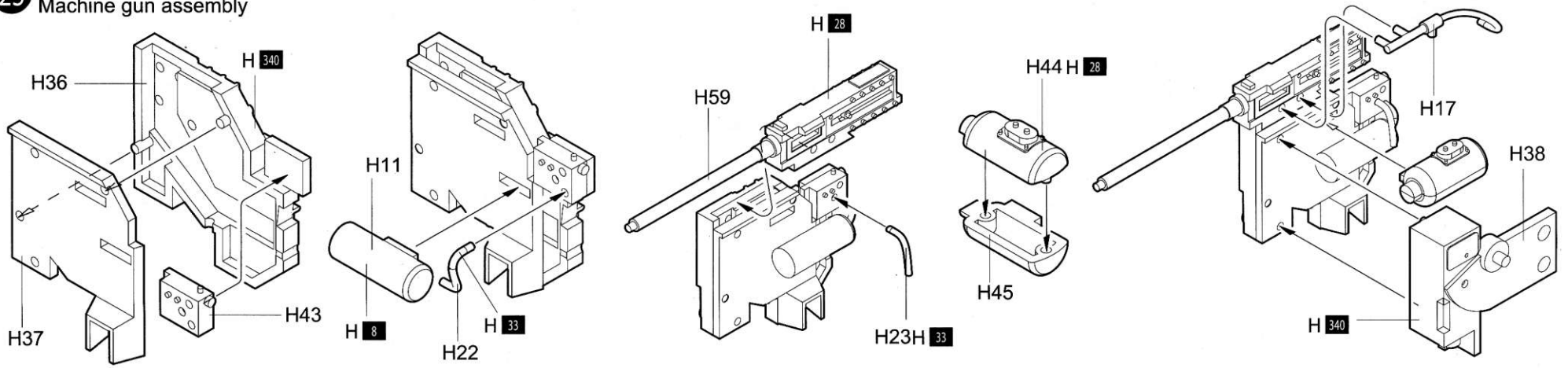
23 座舱的安装
Cockpit installation



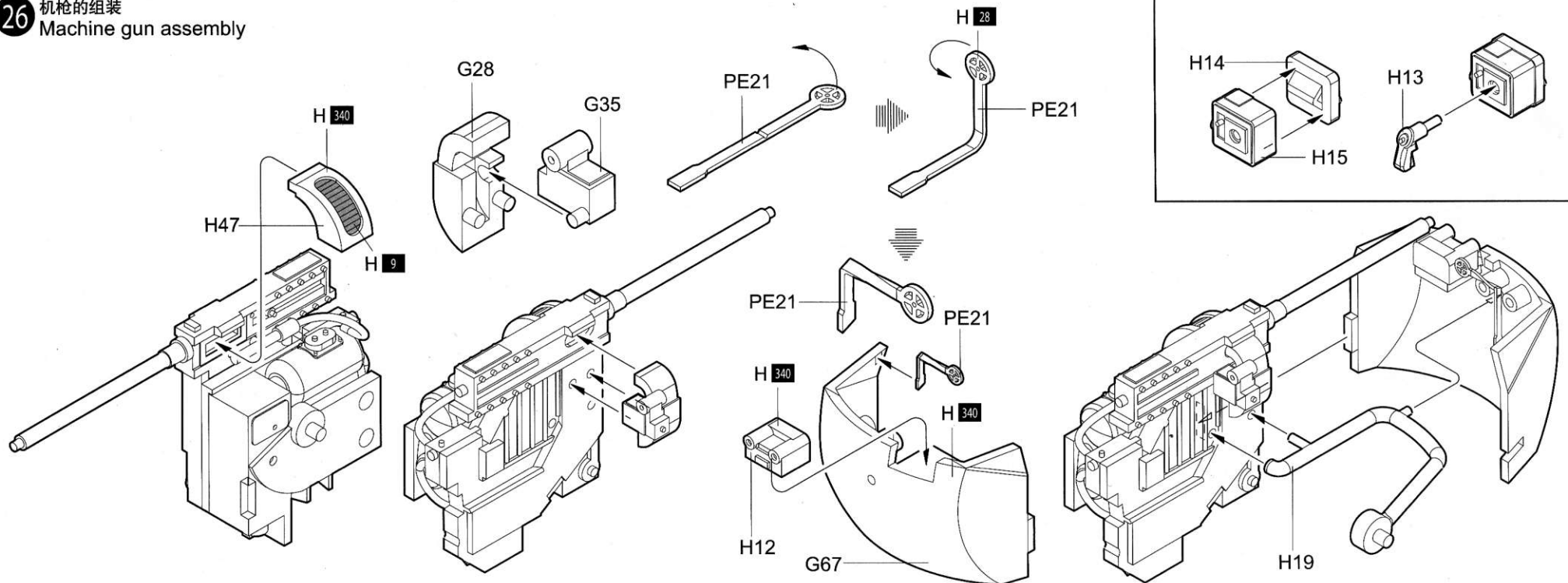
24 机枪手座椅的组装
Gunner seat assembly



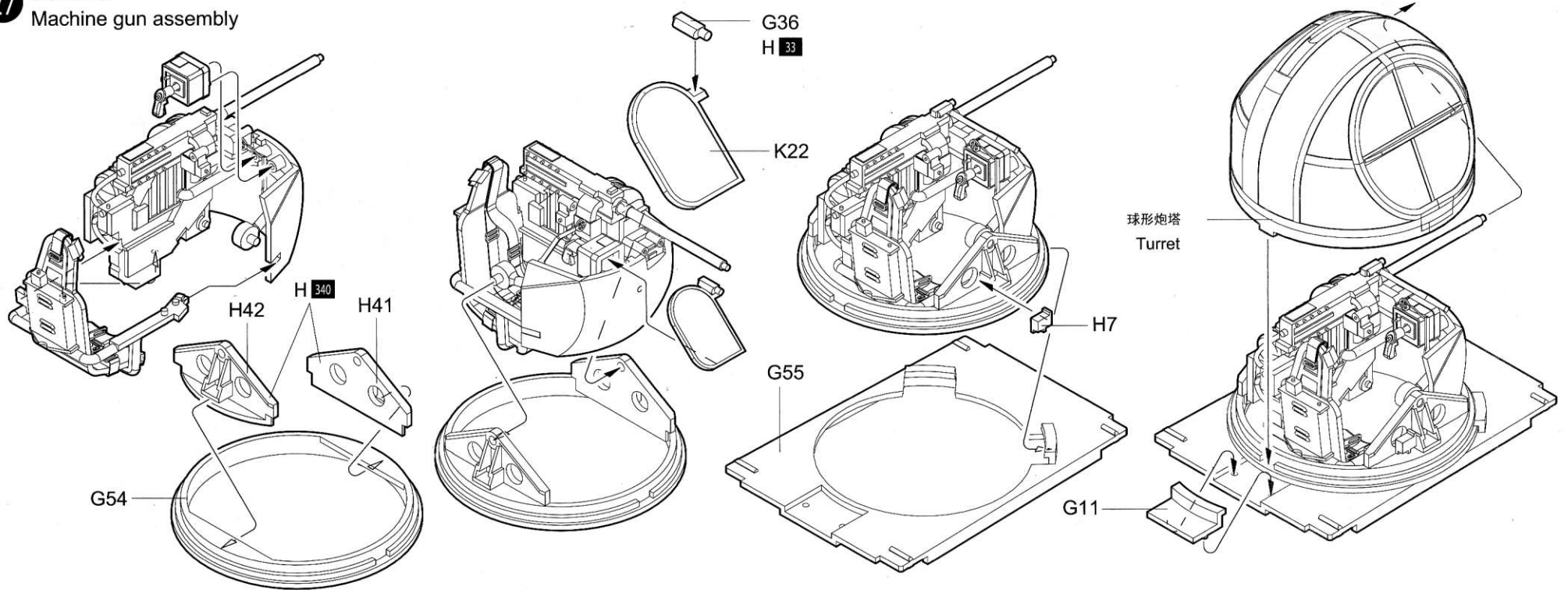
25 机枪的组装
Machine gun assembly



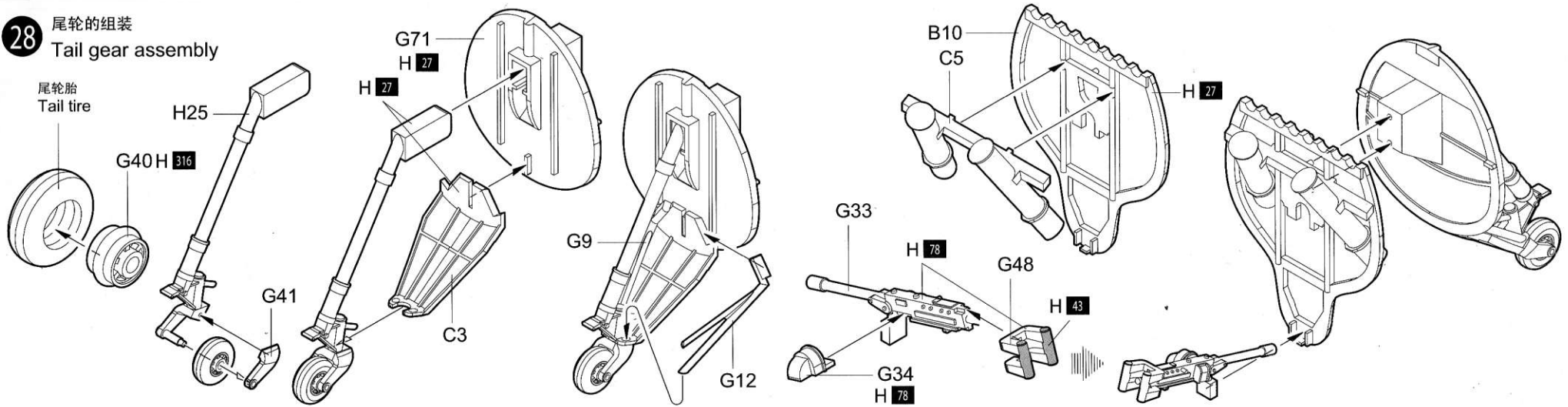
26 机枪的组装
Machine gun assembly



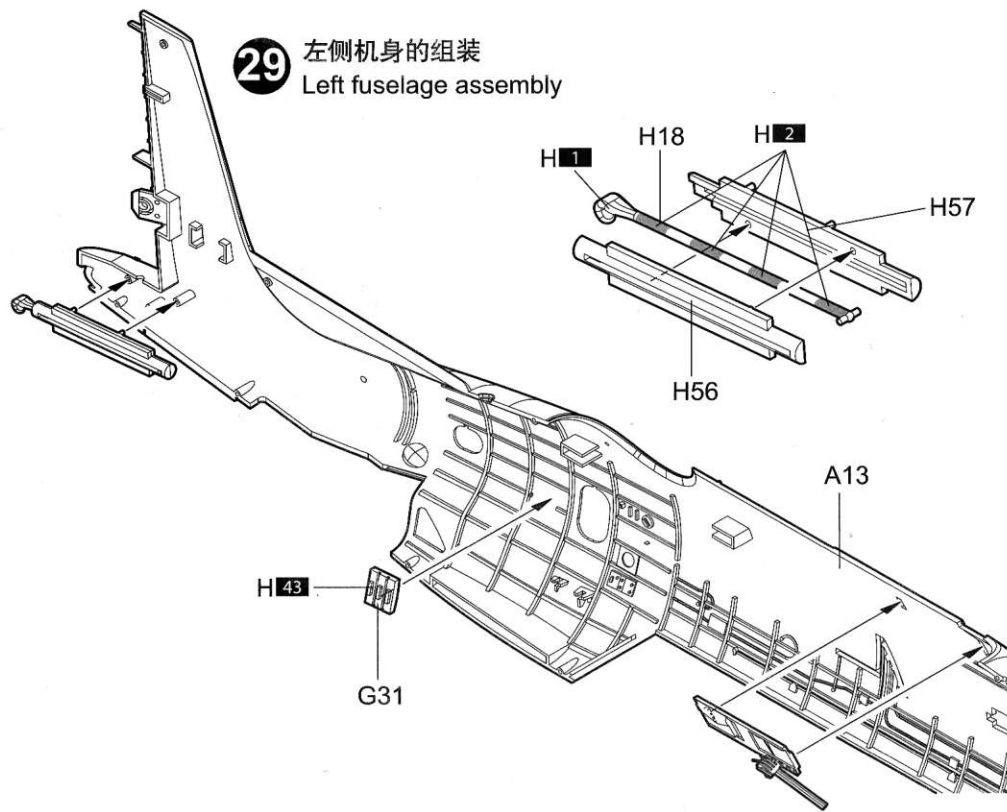
27 机枪的组装
Machine gun assembly



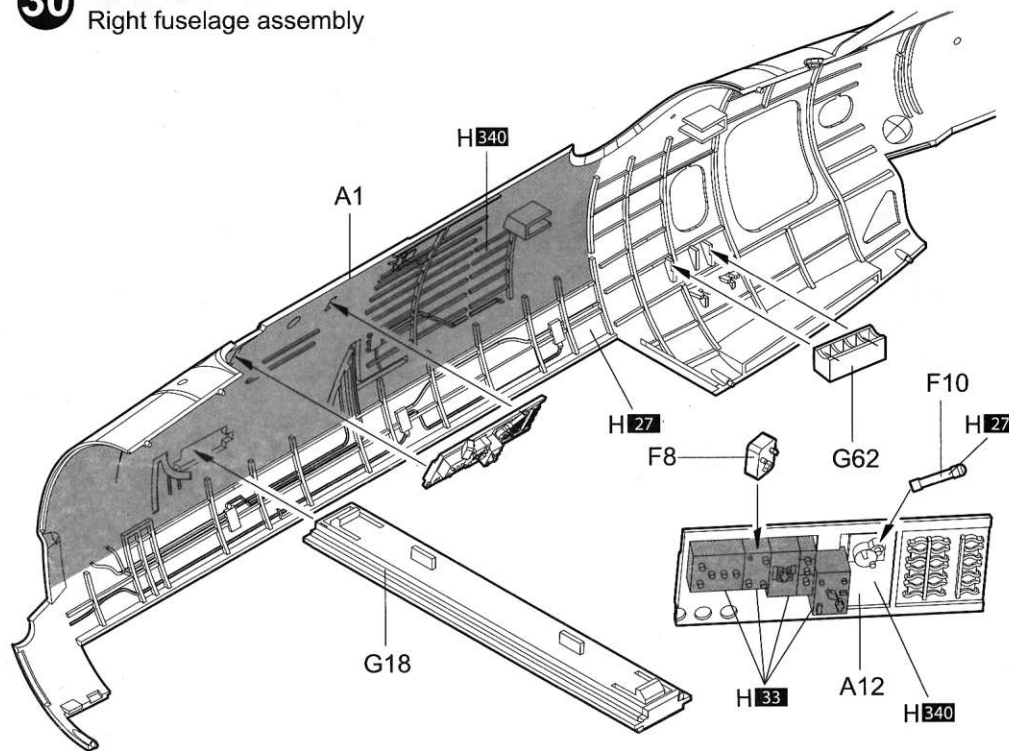
28 尾轮的组装
Tail gear assembly



29 左侧机身的组装
Left fuselage assembly



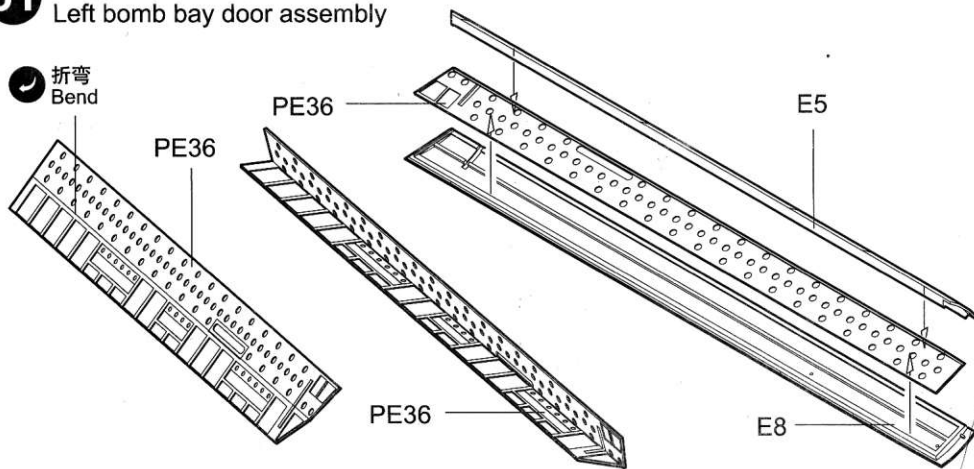
30 右侧机身的组装
Right fuselage assembly



31 左炸弹舱盖板的组装
Left bomb bay door assembly



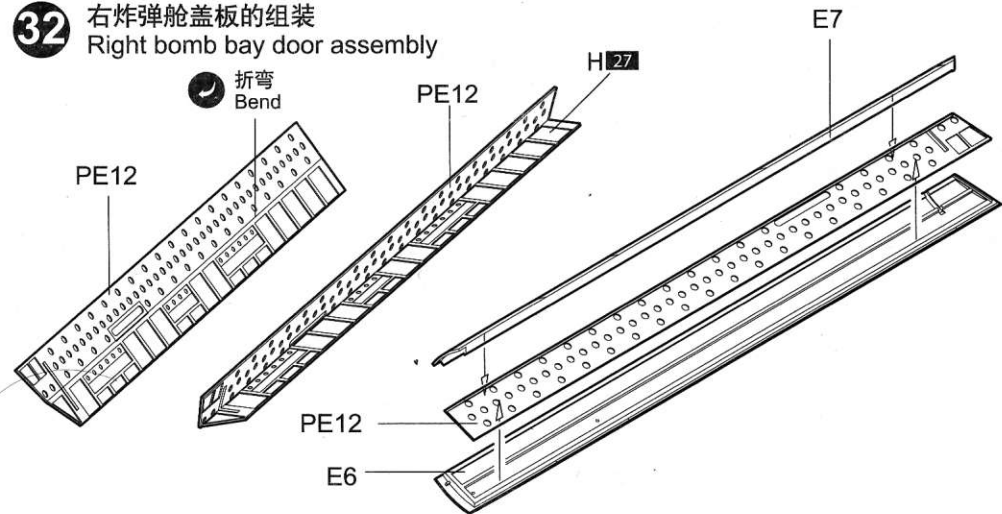
折弯
Bend



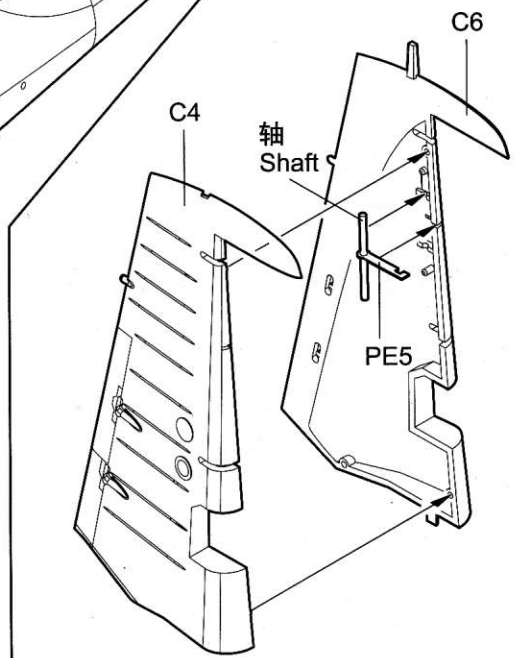
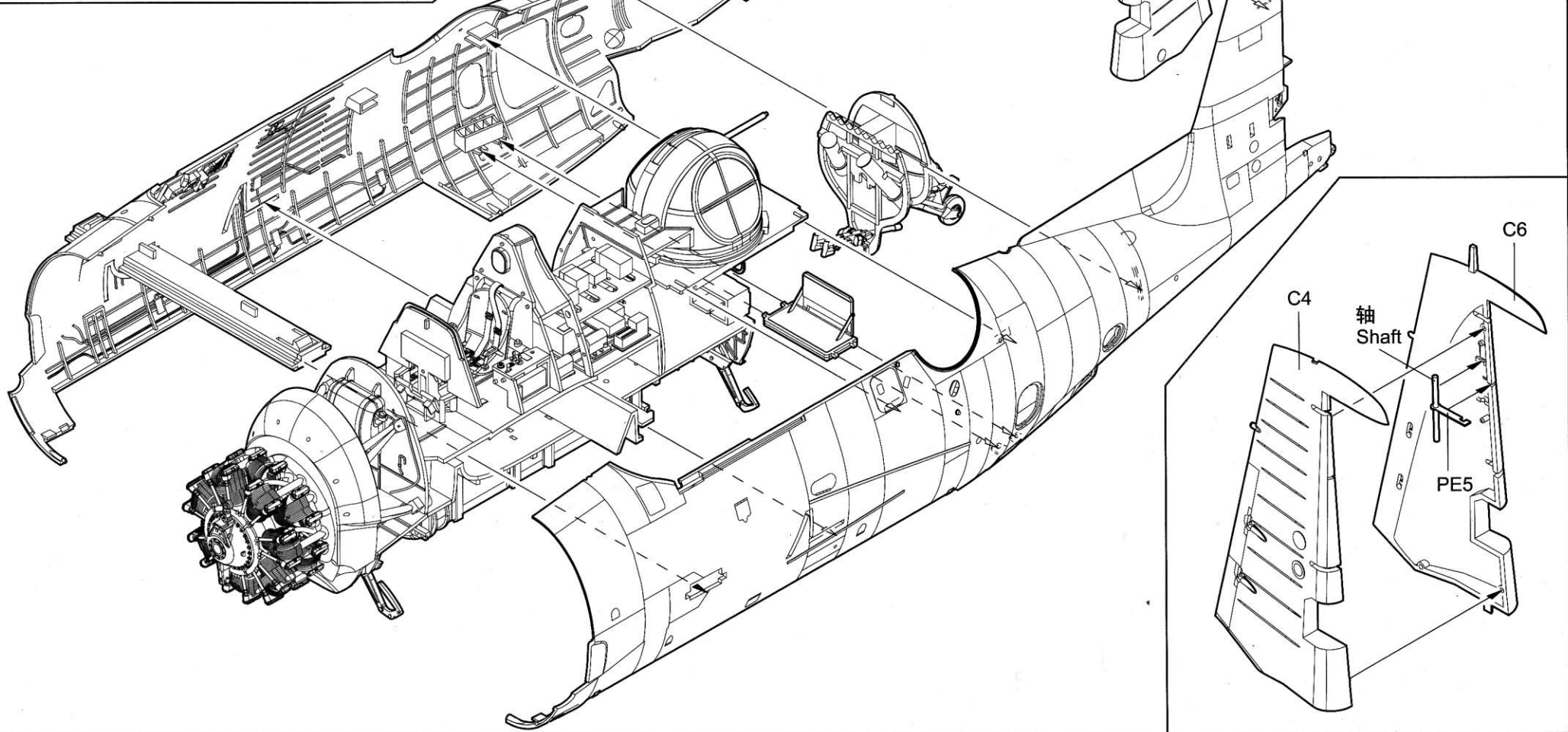
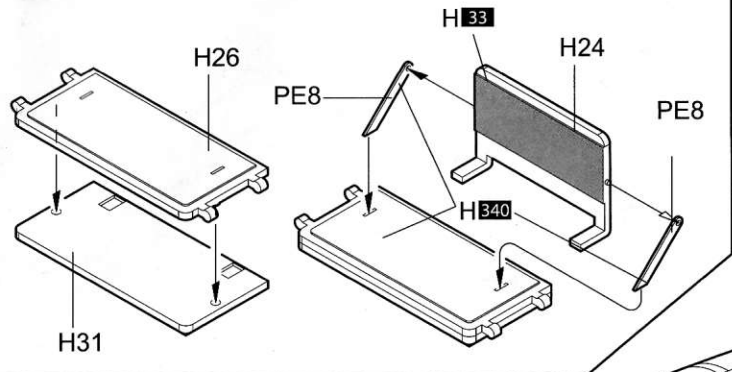
32 右炸弹舱盖板的组装
Right bomb bay door assembly



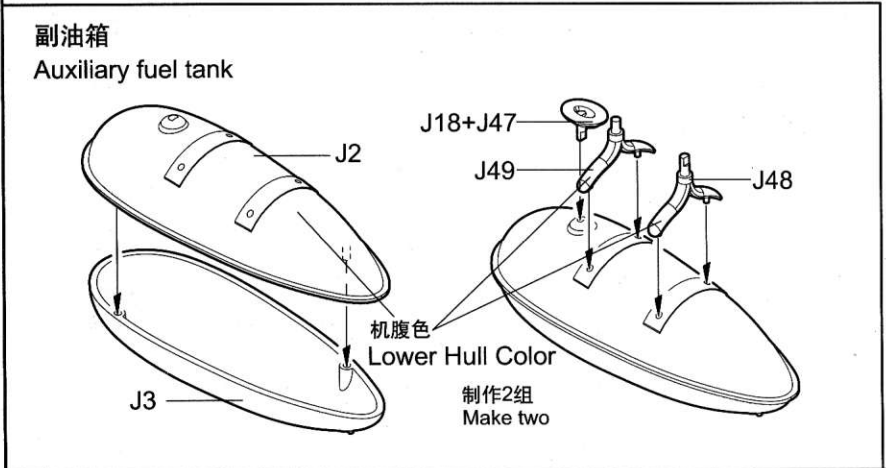
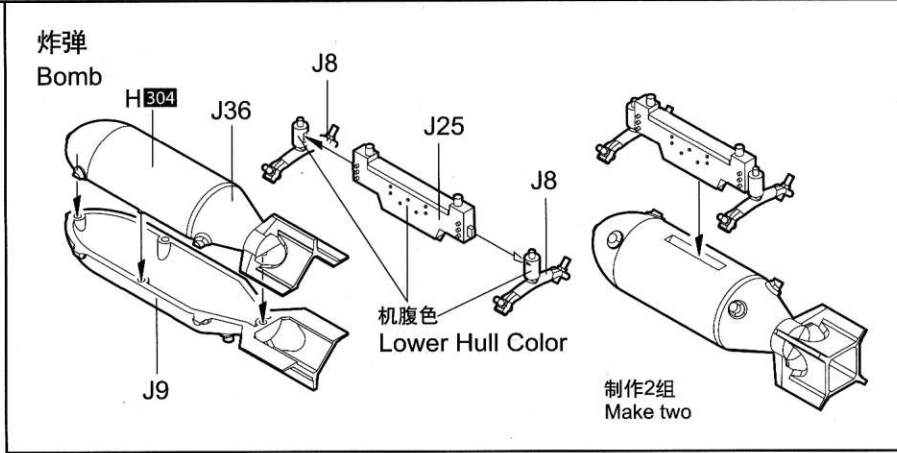
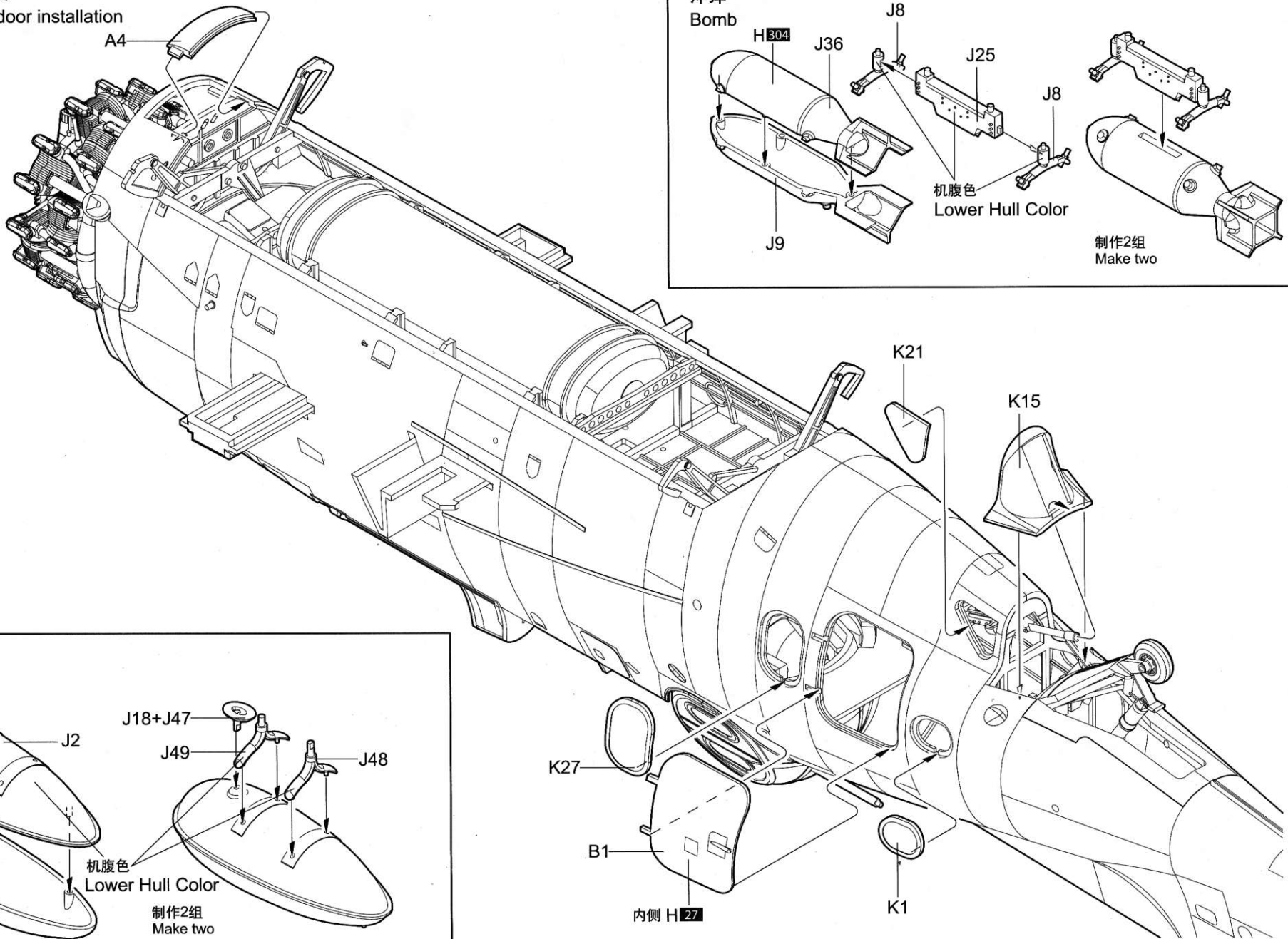
折弯
Bend



33 机身的组装
Fuselage assembly

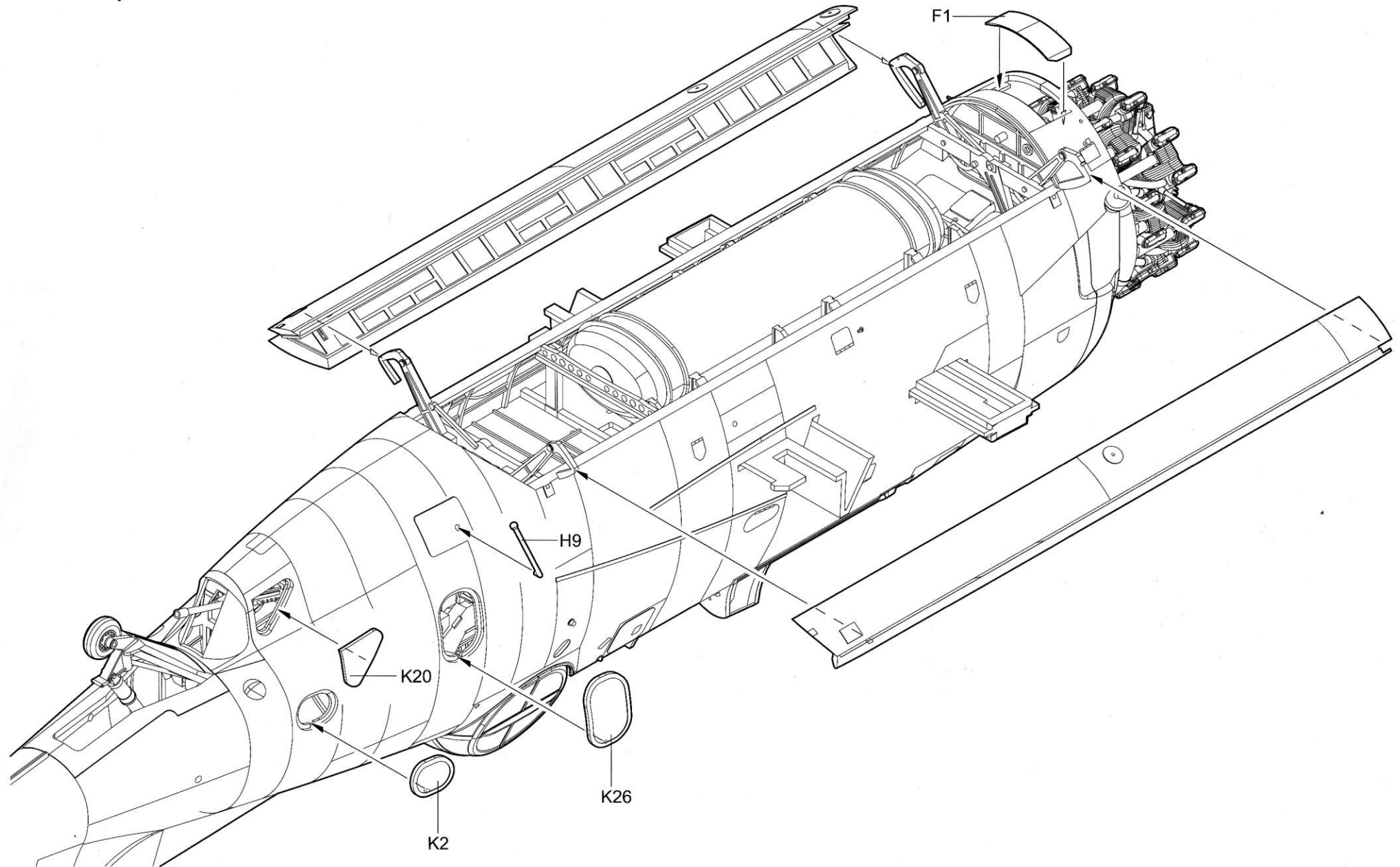


34 炮手舱门的安装
Gunner cabin door installation

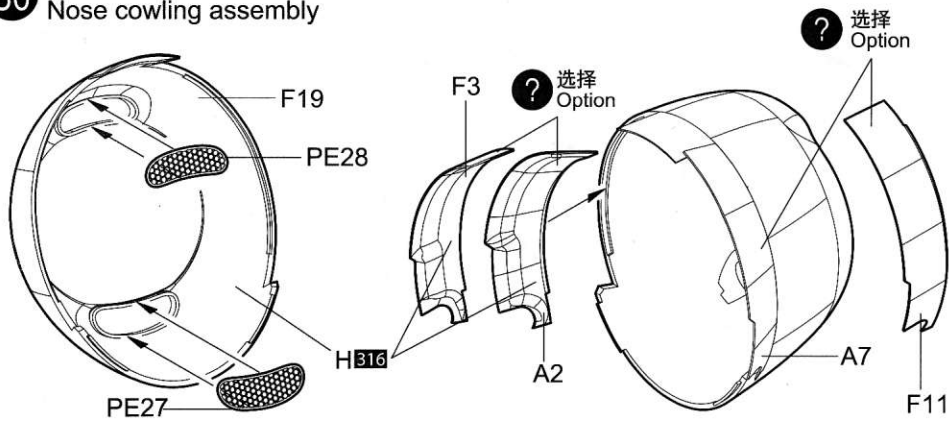


35

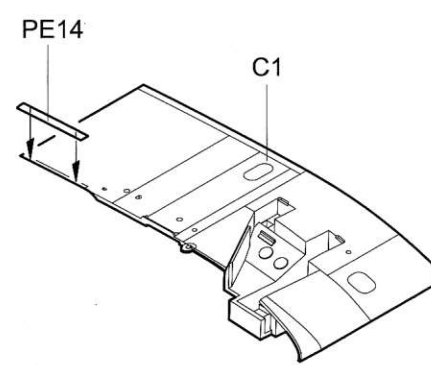
炸弹舱门的安装
Bomb bay door installation



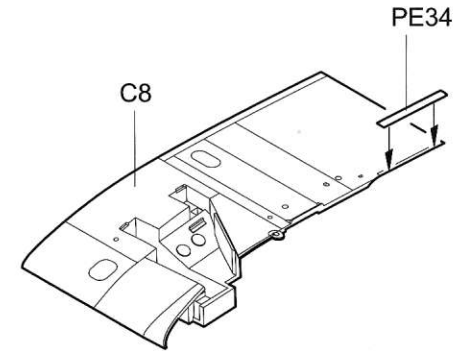
36 引擎罩的组装
Nose cowl assembly



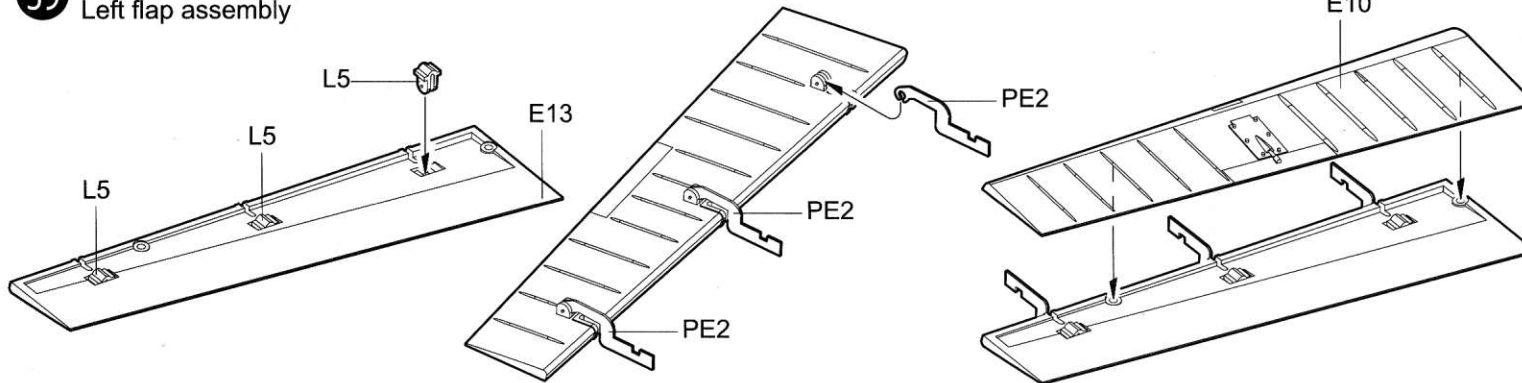
37 左侧固定机翼的组装
Left fixing wing assembly



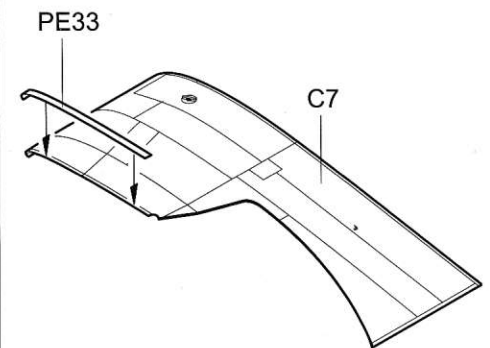
38 右侧固定机翼的组装
Right fixing wing assembly



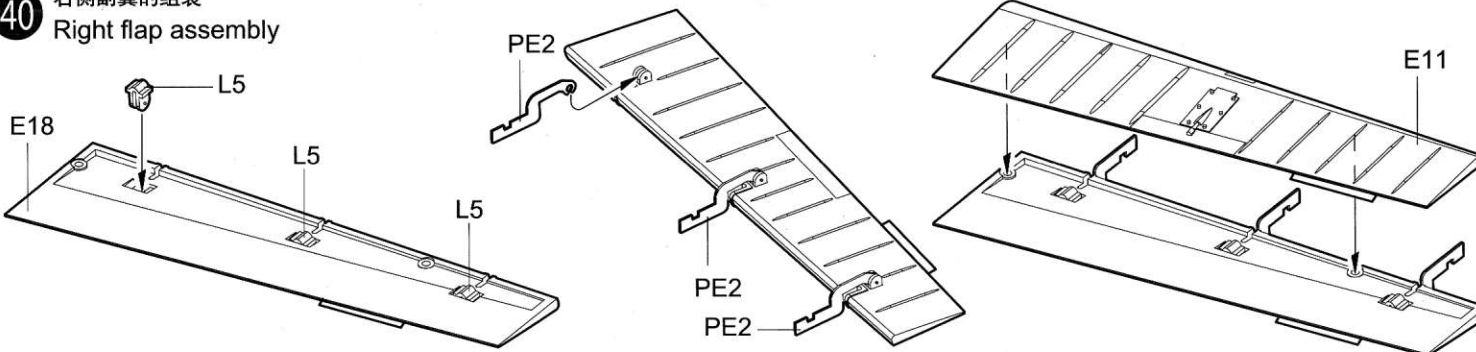
39 左侧副翼的组装
Left flap assembly



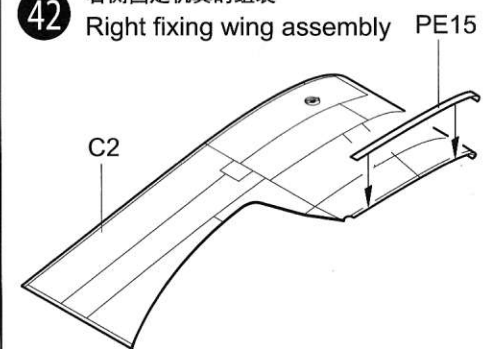
41 左侧固定机翼的组装
Left fixing wing assembly



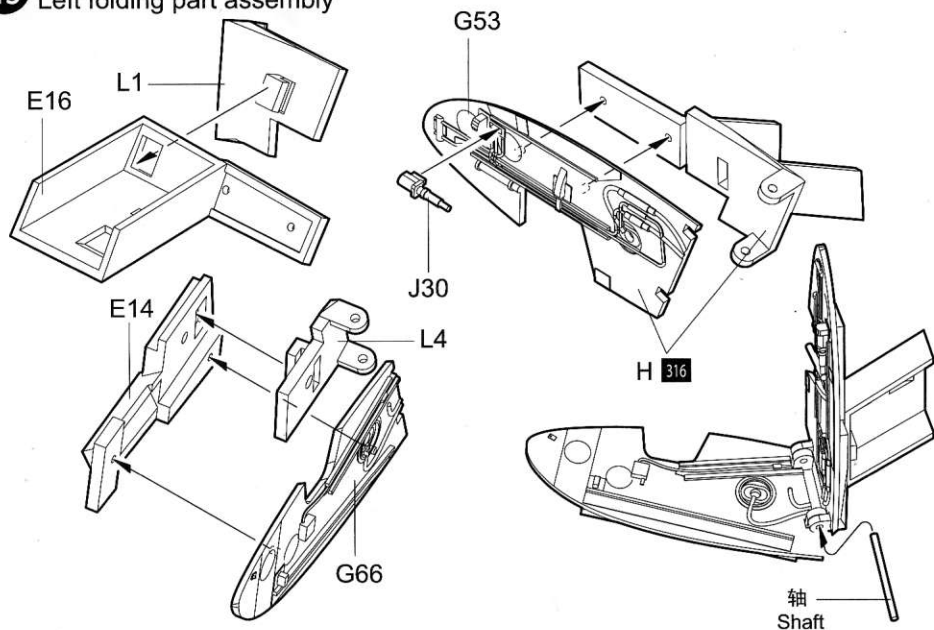
40 右侧副翼的组装
Right flap assembly



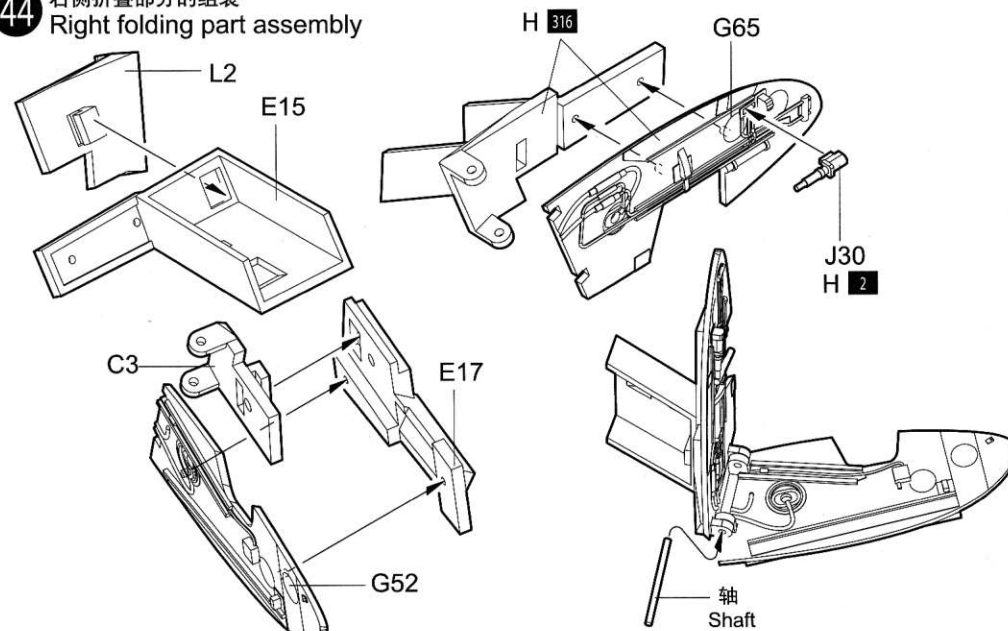
42 右侧固定机翼的组装
Right fixing wing assembly



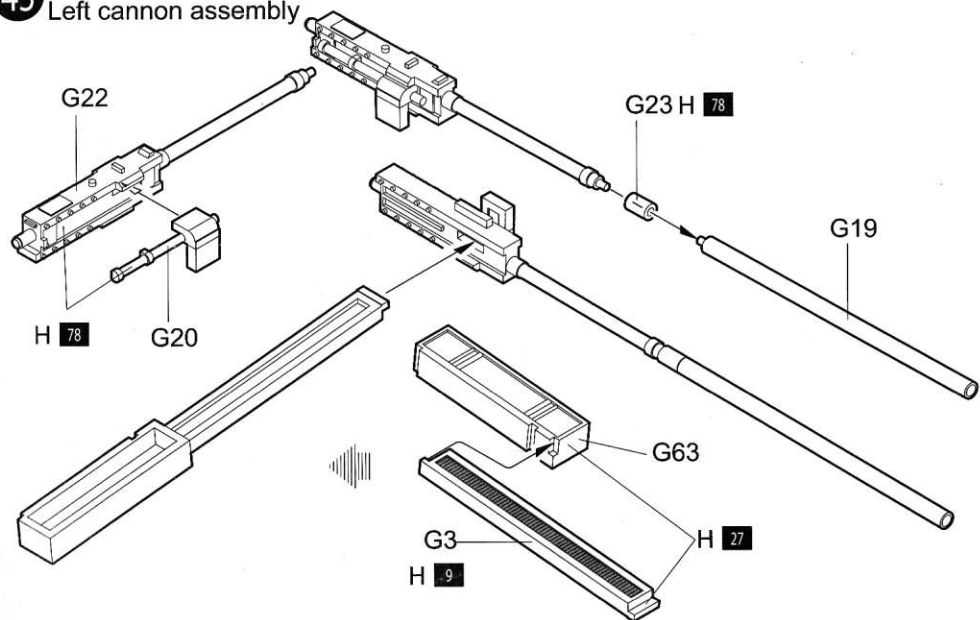
43 左侧折叠部分的组装
Left folding part assembly



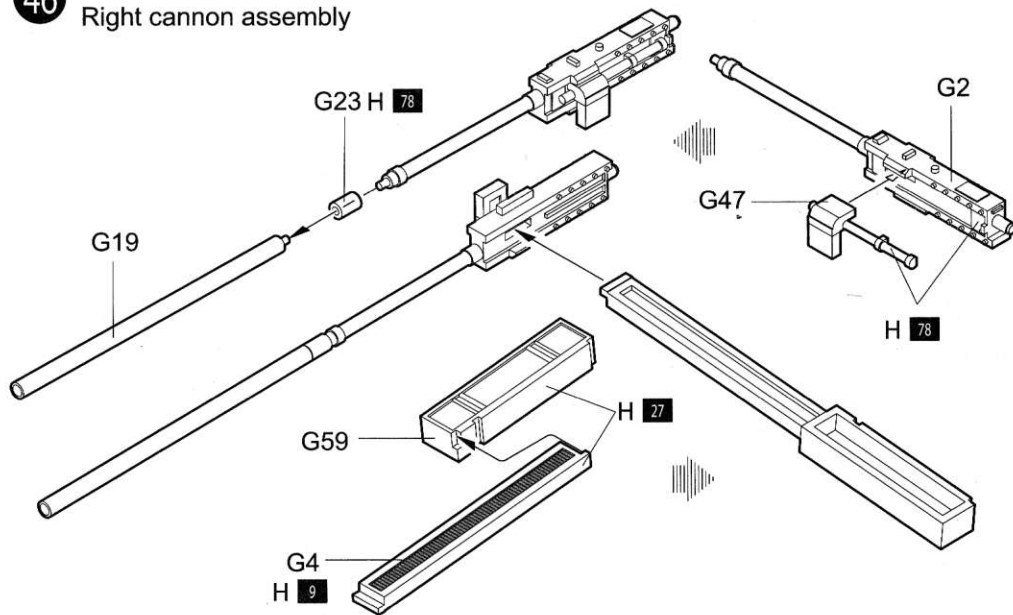
44 右侧折叠部分的组装
Right folding part assembly



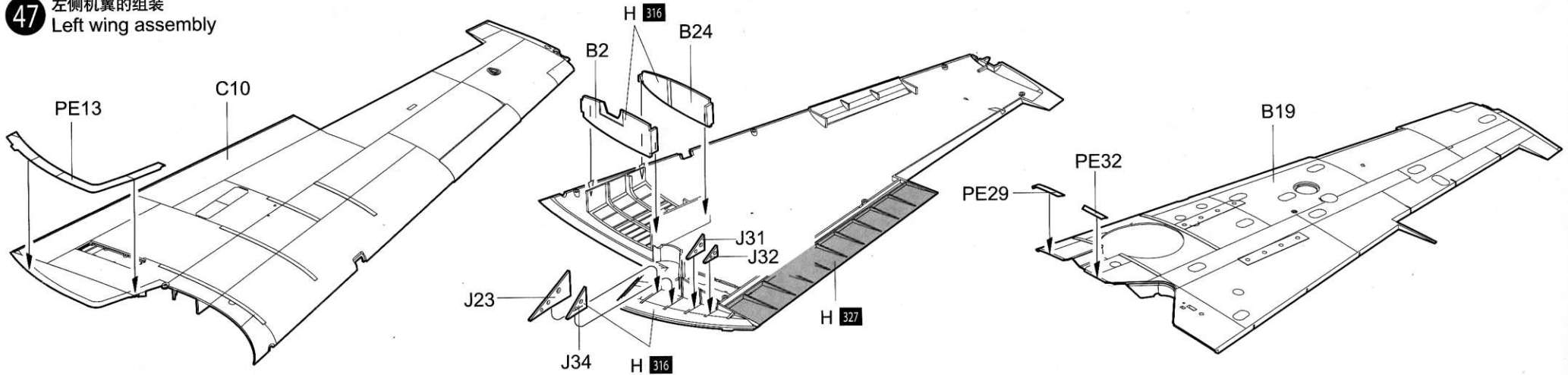
45 左侧机枪的组装
Left cannon assembly



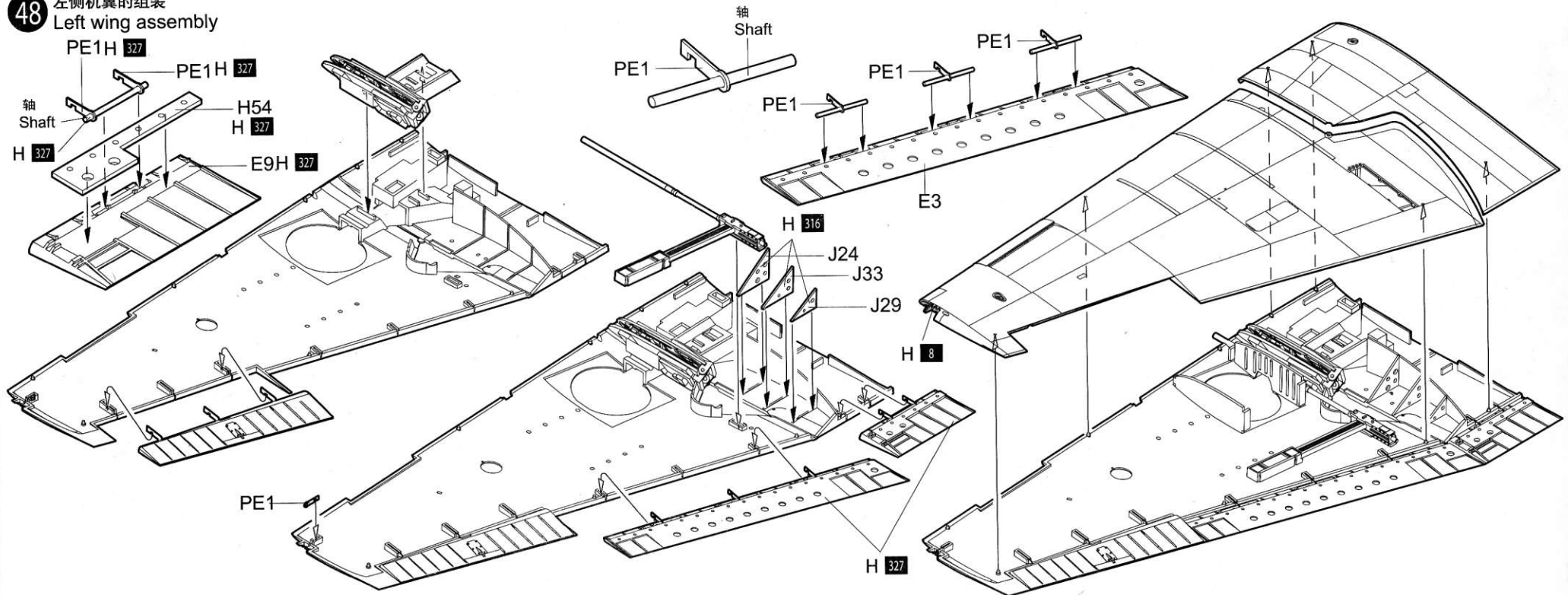
46 右侧机枪的组装
Right cannon assembly



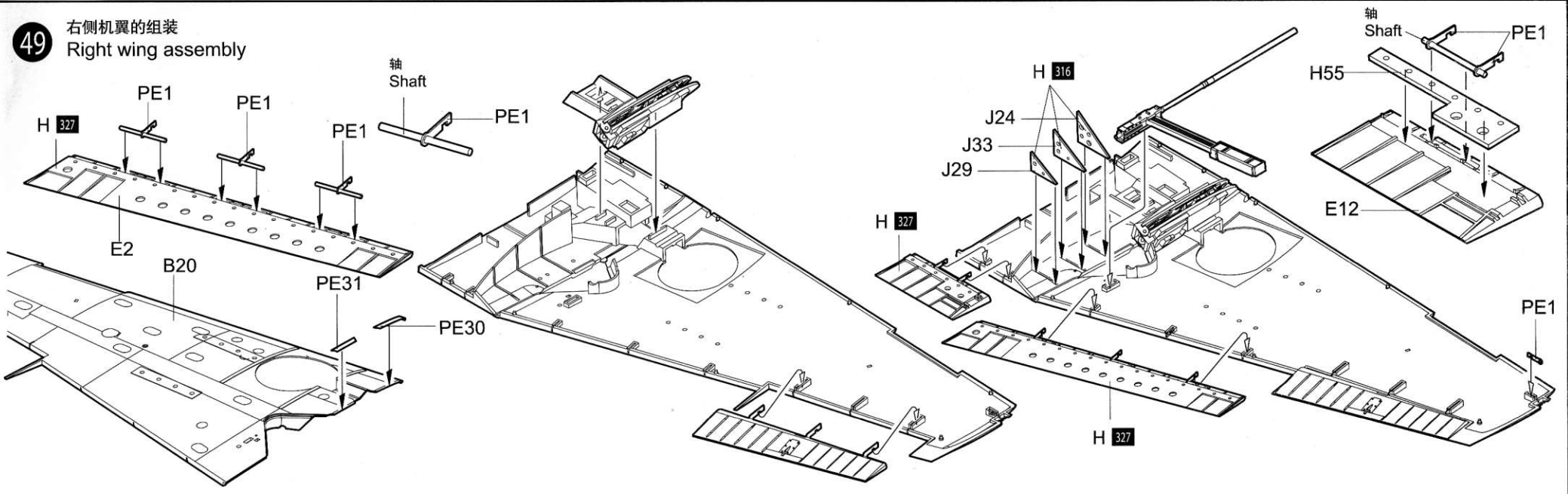
47 左侧机翼的组装
Left wing assembly



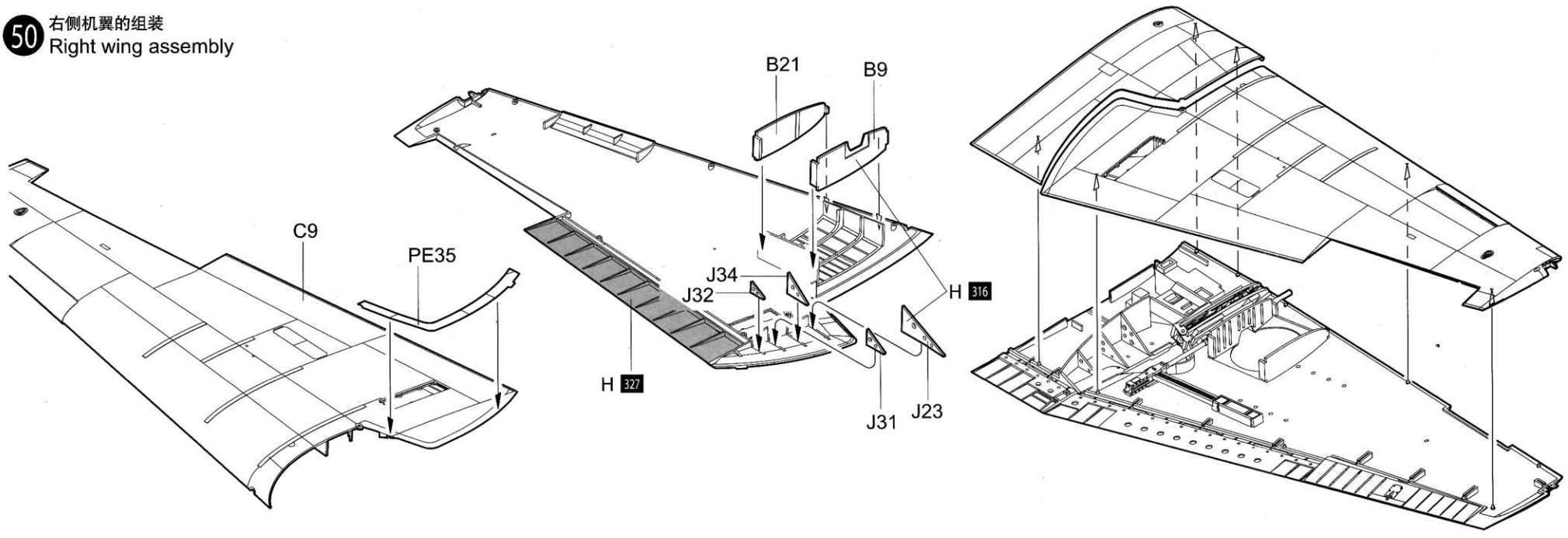
48 左侧机翼的组装
Left wing assembly



49 右侧机翼的组装
Right wing assembly

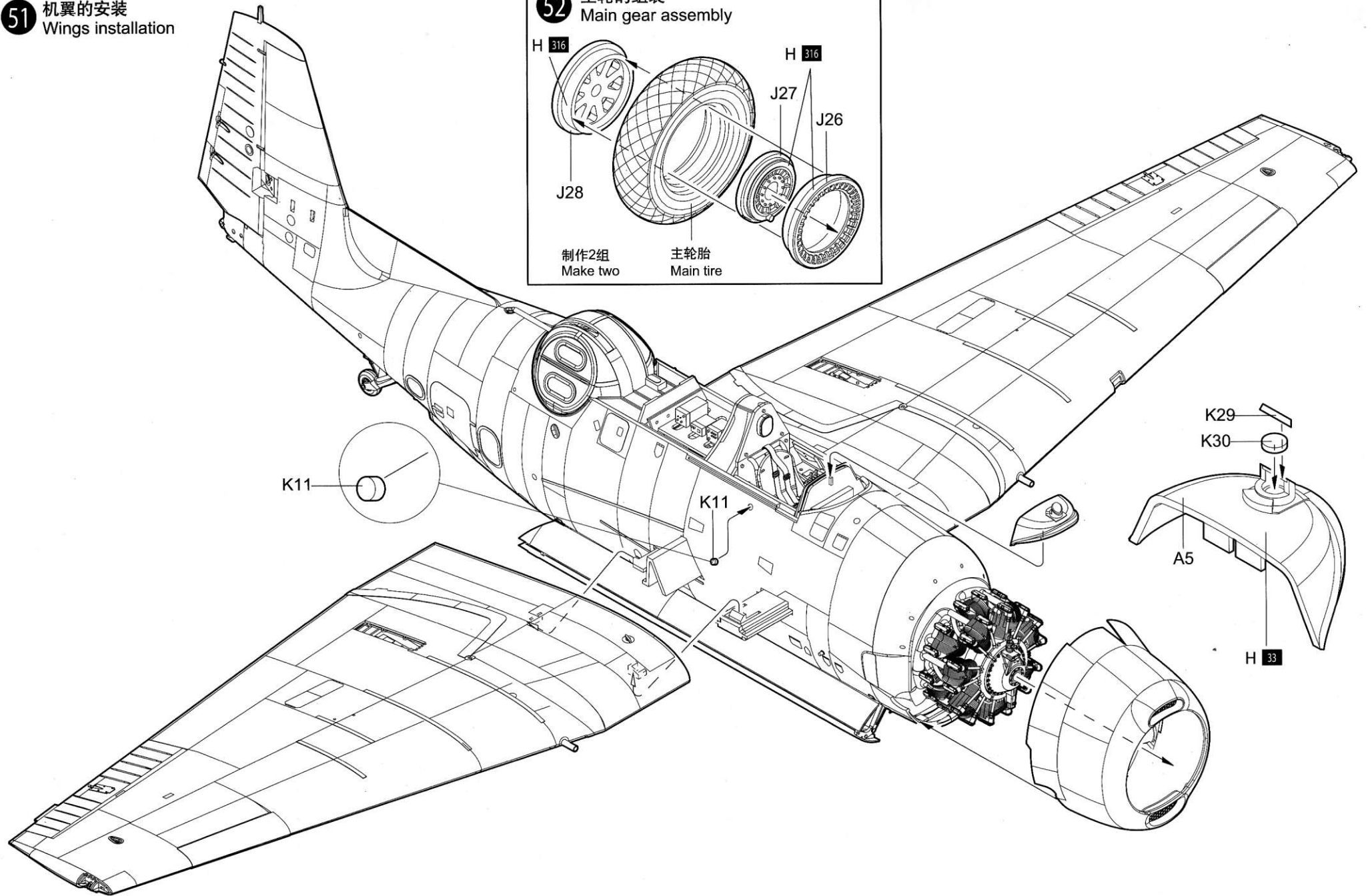
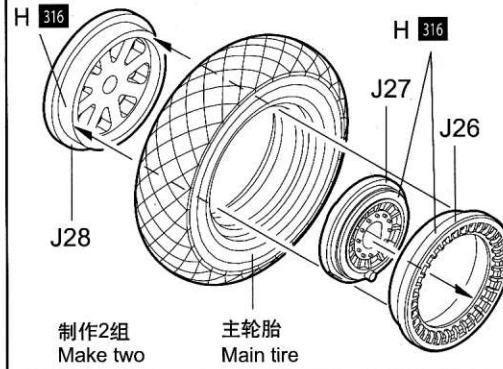


50 右侧机翼的组装
Right wing assembly

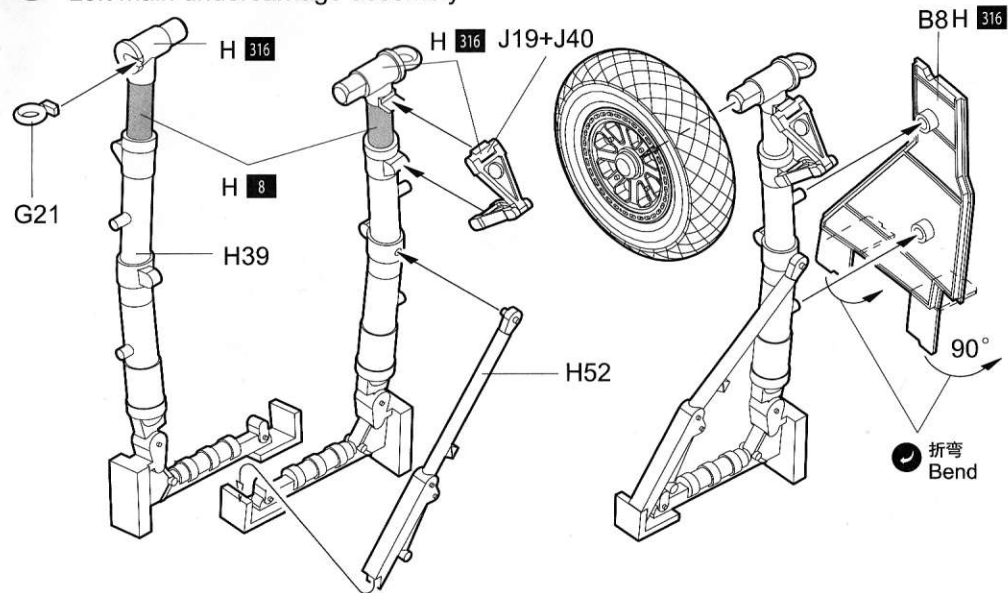


51 机翼的安装
Wings installation

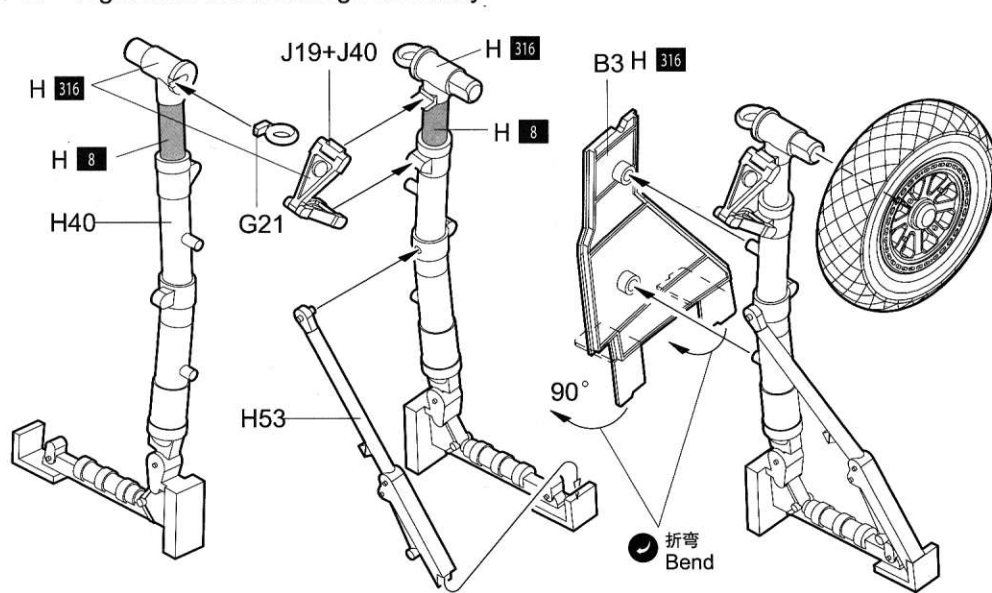
52 主轮的组装
Main gear assembly



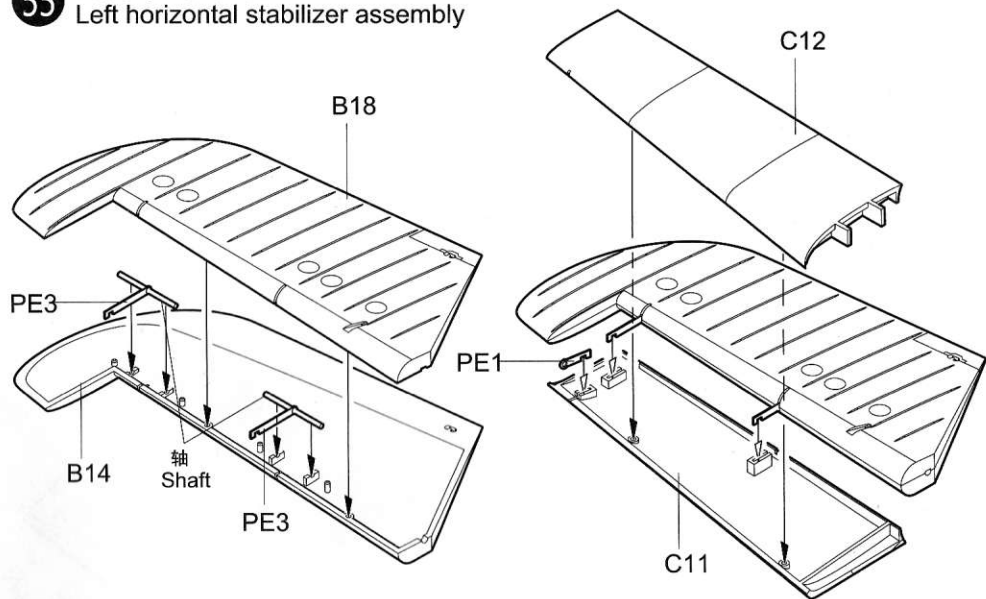
53 左侧主起落架的组装
Left main undercarriage assembly



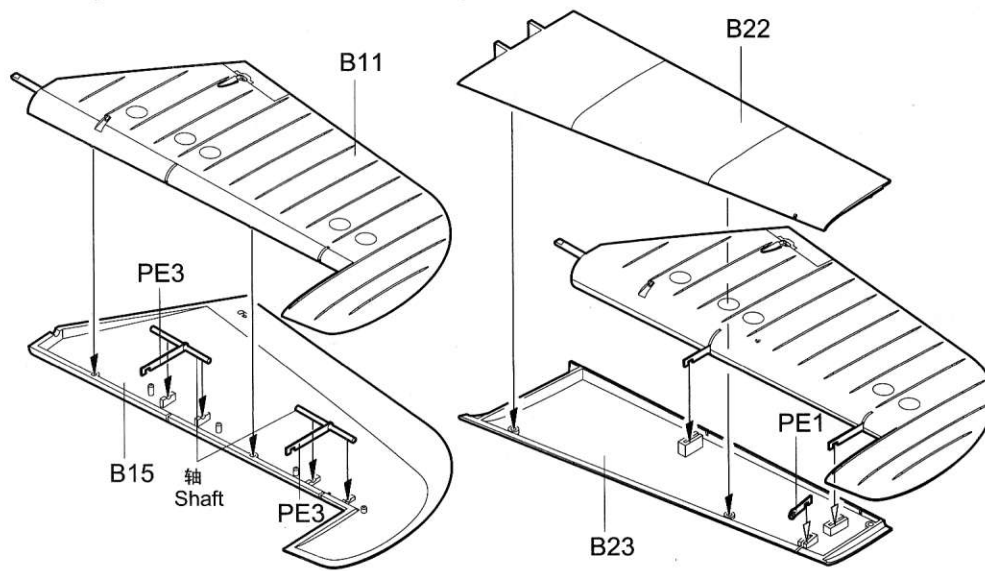
54 右侧主起落架的组装
Right main undercarriage assembly



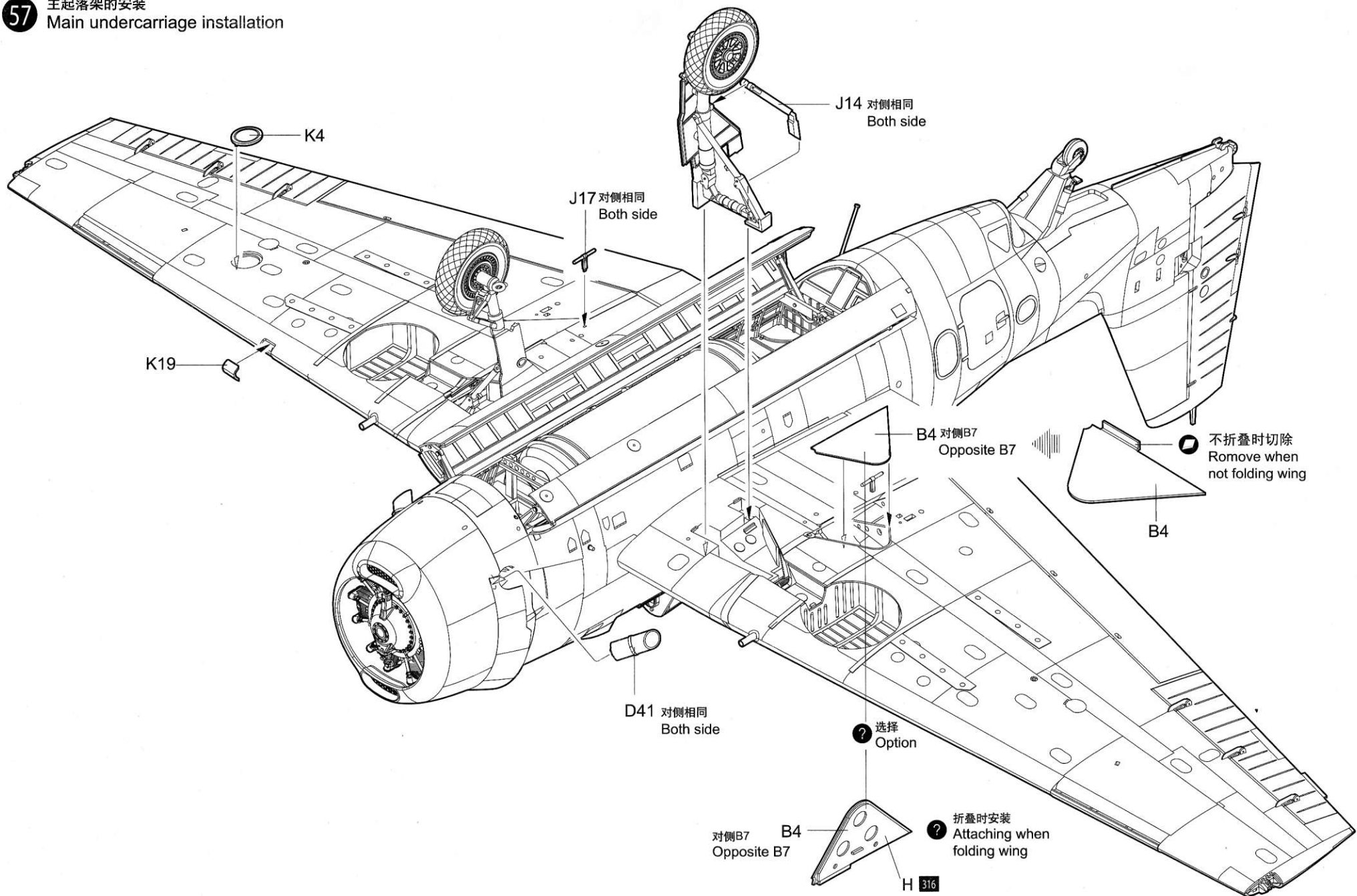
55 左侧水平尾翼的组装
Left horizontal stabilizer assembly



56 右侧水平尾翼的组装
Right horizontal stabilizer assembly



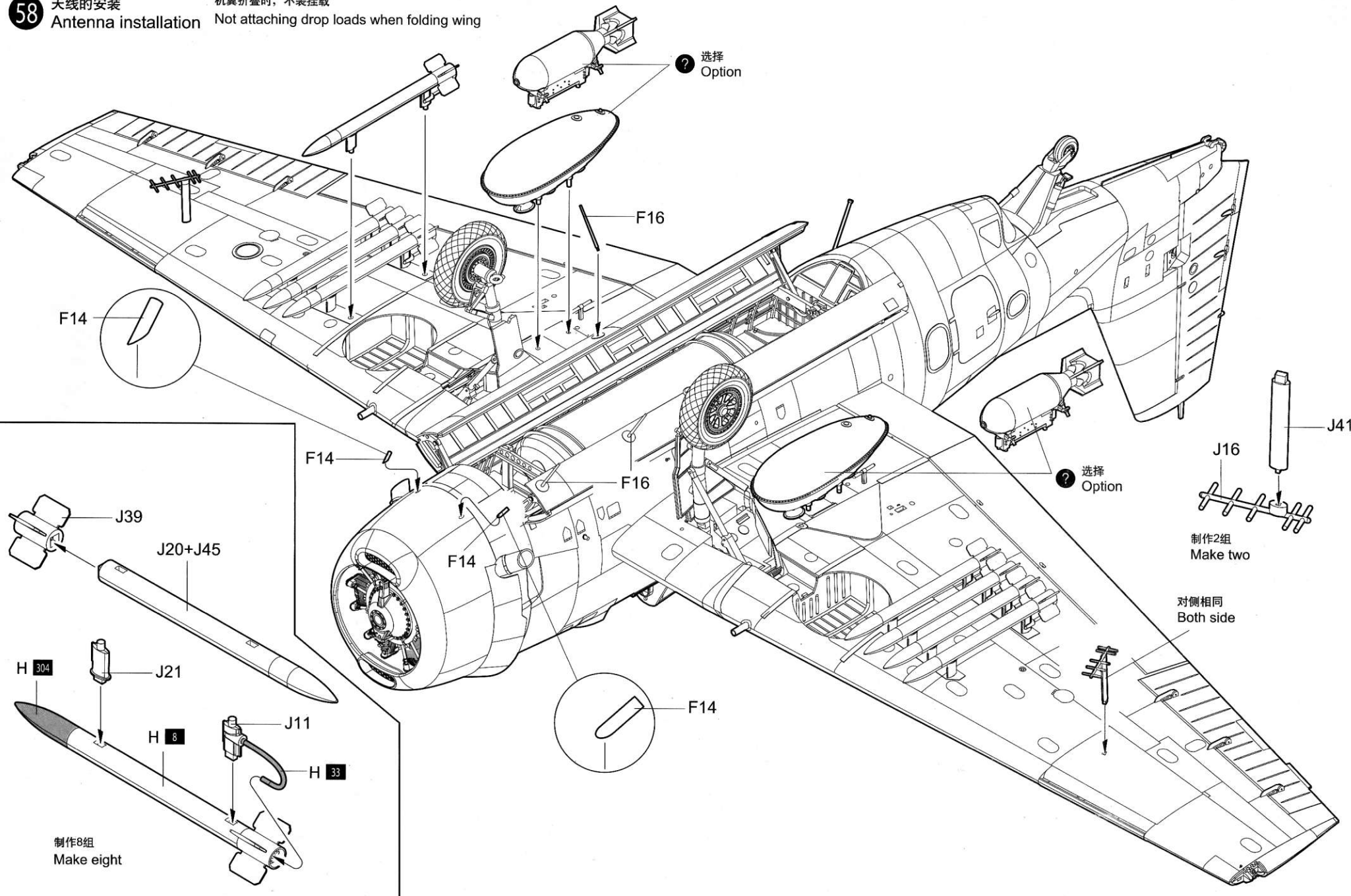
57 主起落架的安装
Main undercarriage installation



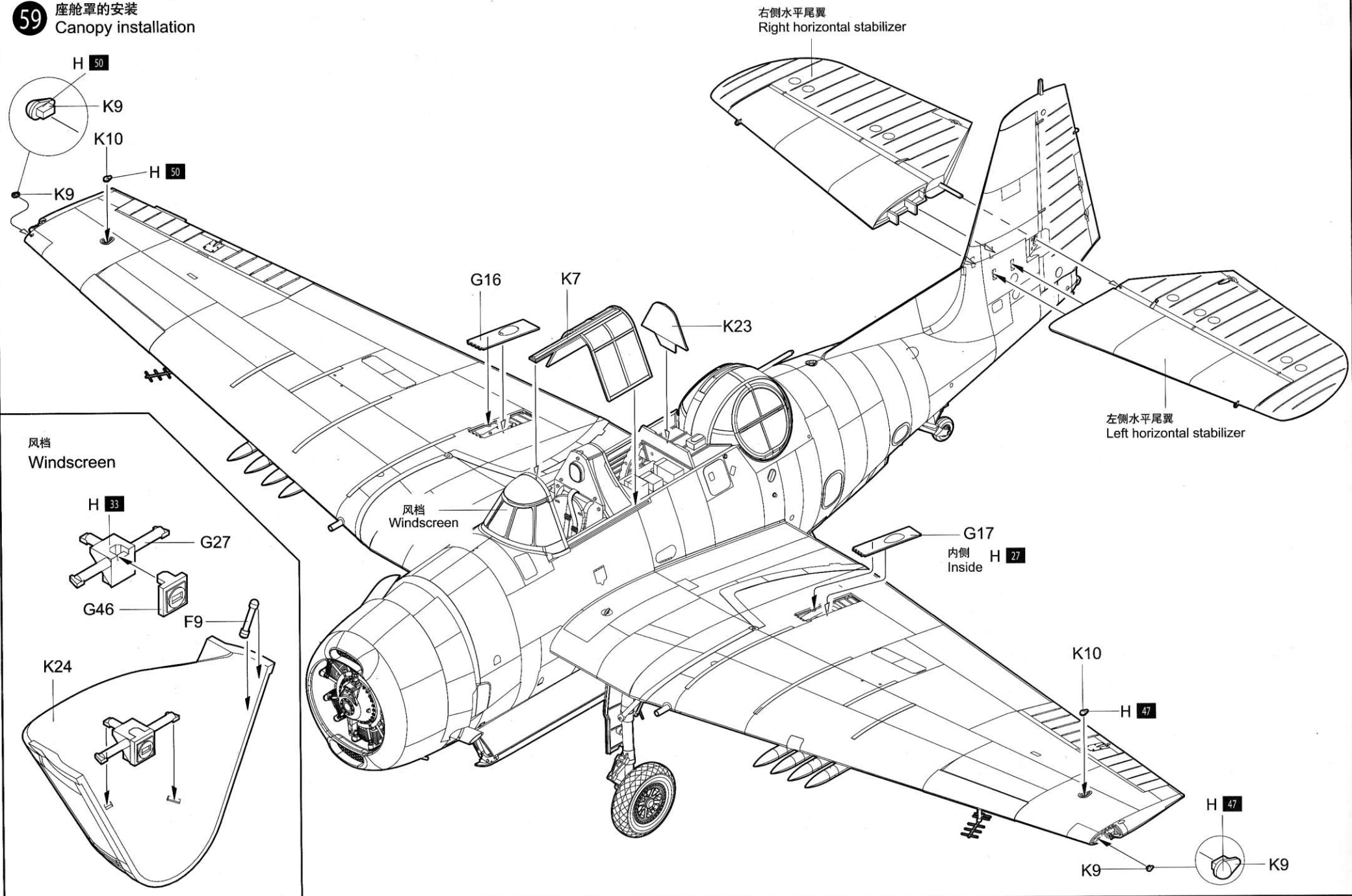
58

天线的安装
Antenna installation

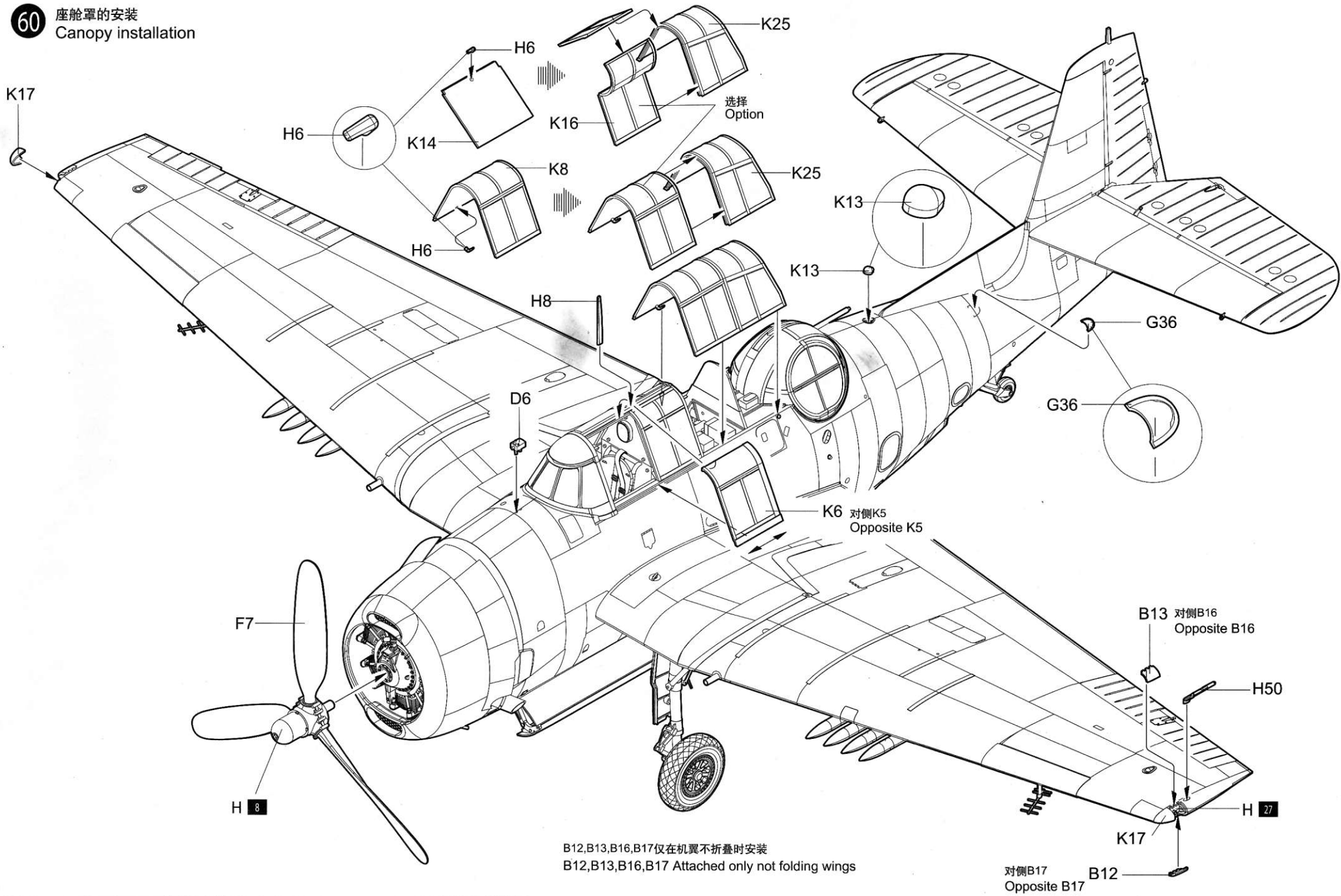
机翼折叠时，不装挂载
Not attaching drop loads when folding wing



59 座舱罩的安装
Canopy installation



60 座舱罩的安装
Canopy installation

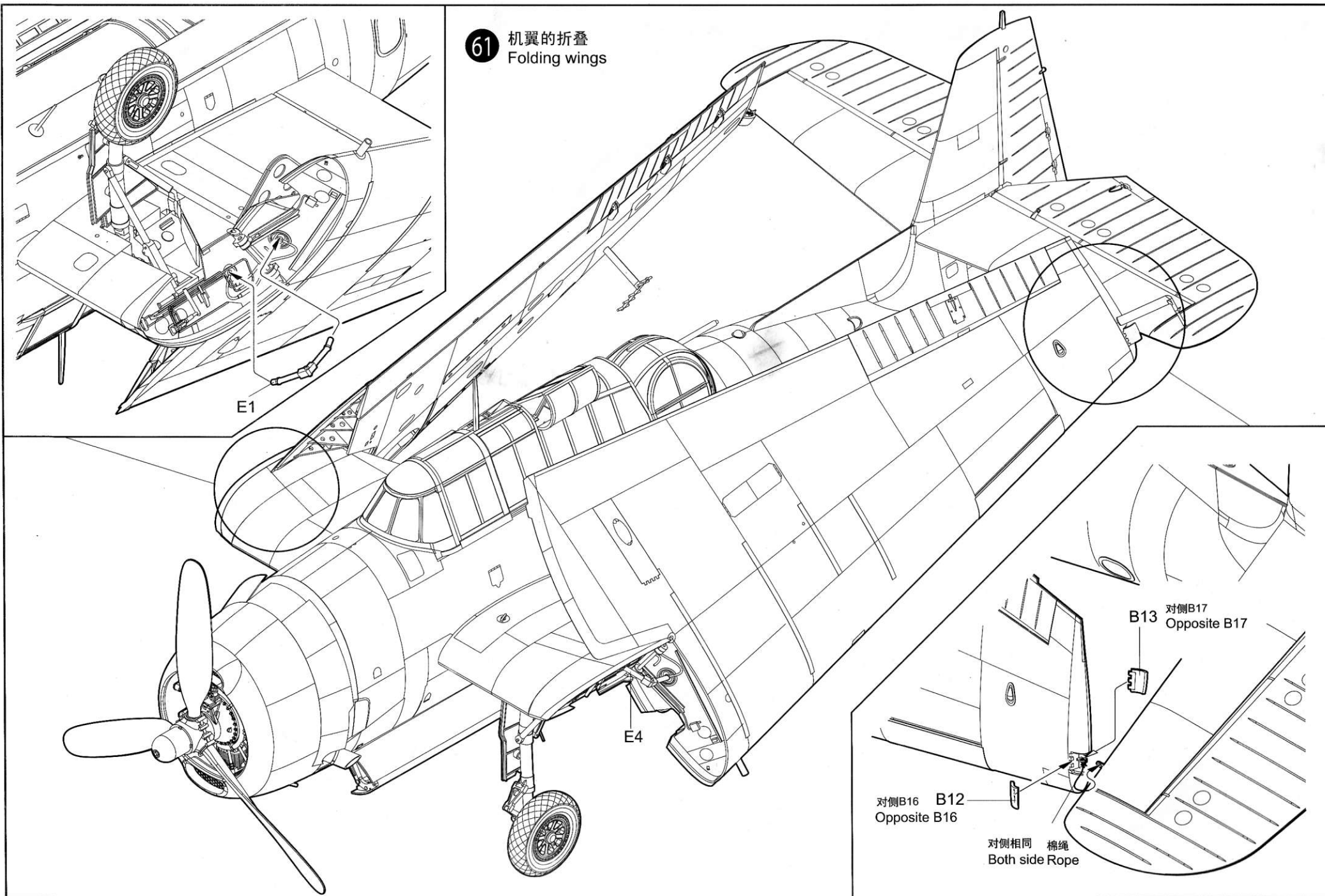


B12,B13,B16,B17仅在机翼不折叠时安装
B12,B13,B16,B17 Attached only not folding wings

对侧B17
Opposite B17

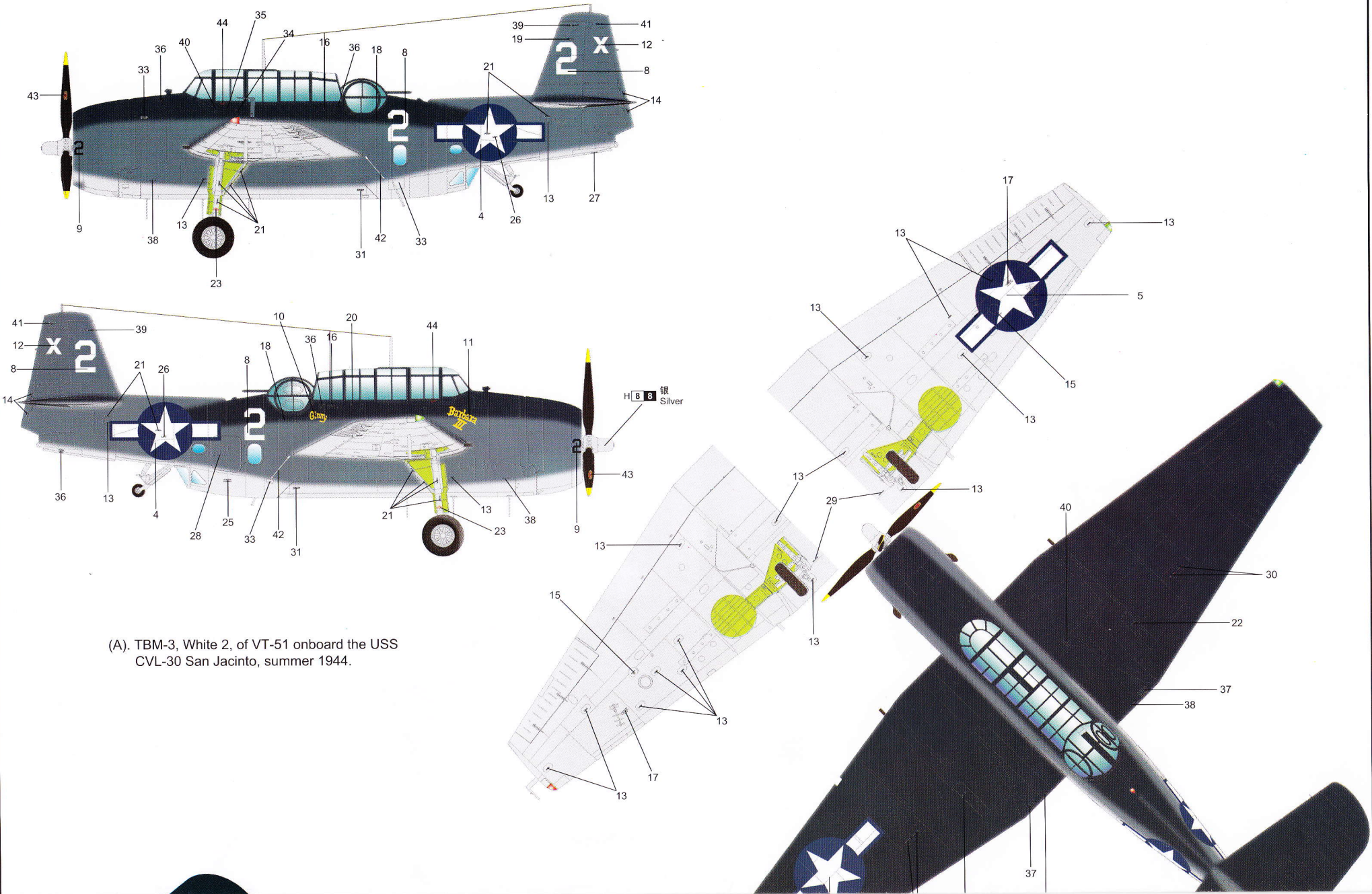
B12

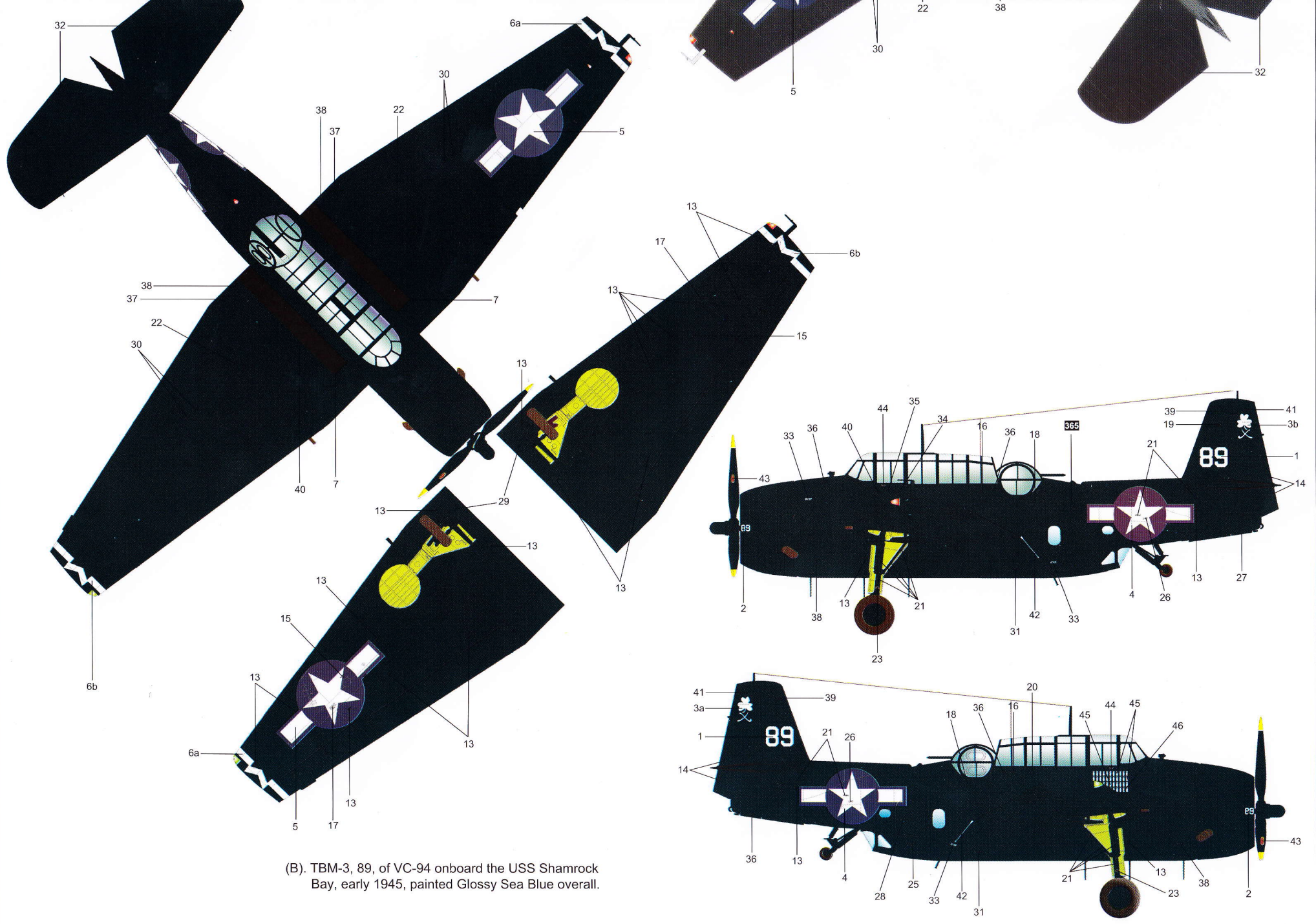
61 机翼的折叠
Folding wings



涂装同标贴指示

Painting & Marking guide





(B). TBM-3, 89, of VC-94 onboard the USS Shamrock Bay, early 1945, painted Glossy Sea Blue overall.