

1:35 SCALE

280mm K5(E) Leopold German Railroad Gun

德國 280mm K5(E)利奧波德列車炮



cyanoacrylate glue
使用强力胶



weight
配重



make hole
钻孔



cut / remove
切除



option
选择



no cement
不涂胶水



decal
贴纸



bend
弯曲



file / sand
锉平

READ BEFORE ASSEMBLY

- Study and understand this instructions thoroughly before beginning assembly.
- Remove all injection pins carefully using a modeling file.
- Cut off the photo-etched parts carefully using a modeling knife. Be sure not to lose small parts.
- Apply instant cement to photo etched parts and shafts. Apply too much instant cement will cause movable parts to stick. Apply cement carefully.
- Extra care should be taken to avoid personal injury when handling the photo etched parts.
- Some parts should depend on decals. Select prior to assembly.
- Tools recommended: (Not included in this kit)
- Cement; Side cutters; Long nose pliers; Modeling knife; Modeling life; Tweezers; Pin vise; Scissors; Instant cement.
- Soft cloth and sand paper will also assist in construction.
- Glue and paints are not included in the kit. Use plastic cement or paints only.
- Keep out of reach of small children. Children must not be allowed to suck any part, or pull vinyl bag over the head.

装配之前仔细阅读

- 小心用模型锉刀锉平所有零件表面的注射浇口。
- 小心用刀片切下蚀刻片零件，不要遗失小零件。
- 用强力快干胶水粘合蚀刻片零件和金属轴。过量的快干胶水使用可能导致可动零件会粘住，小心涂胶。
- 取蚀刻片时应特别注意安全，防止利边划伤手指。
- 某些零件表面需贴水上贴纸，请选择在装配的同时进行。
- 推荐模型工具(自备)：胶水，水口剪刀，长咀钳，刀片，锉刀，镊子钳，钻，剪刀，瞬间快干胶。
- 软布同砂纸同时也应该是必备工具。
- 请使用塑料胶水和油漆，模型内不含。
- 谨防小孩吸吮塑料零件，或者将塑料袋套在头上，制作时应将套材远离小孩接触。

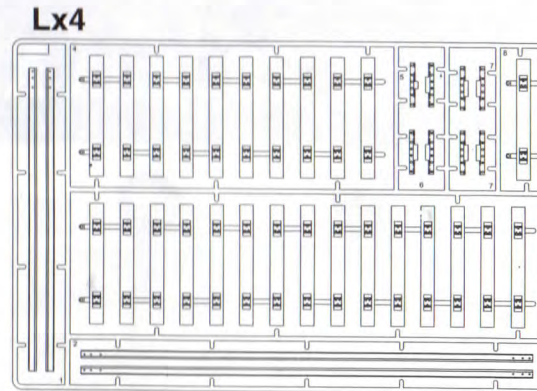
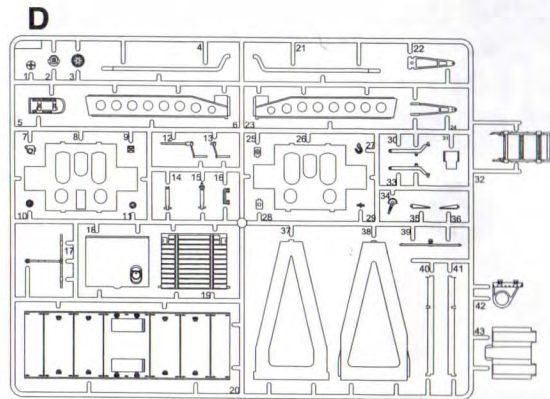
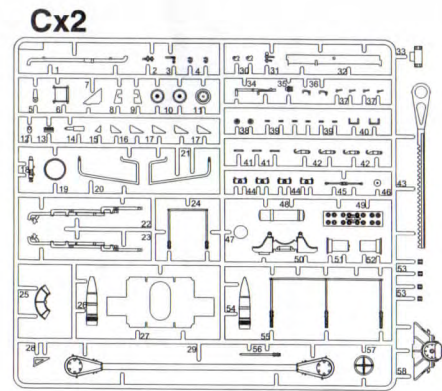
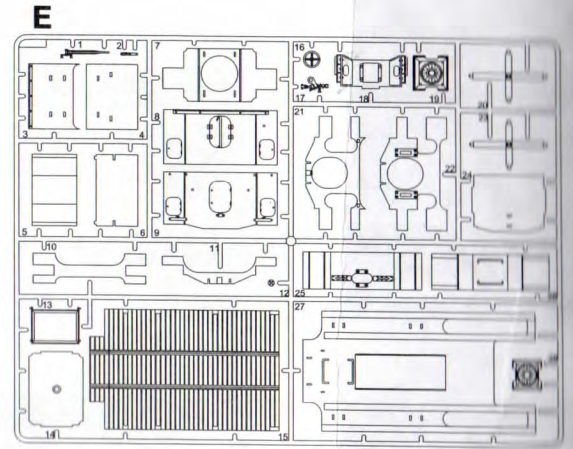
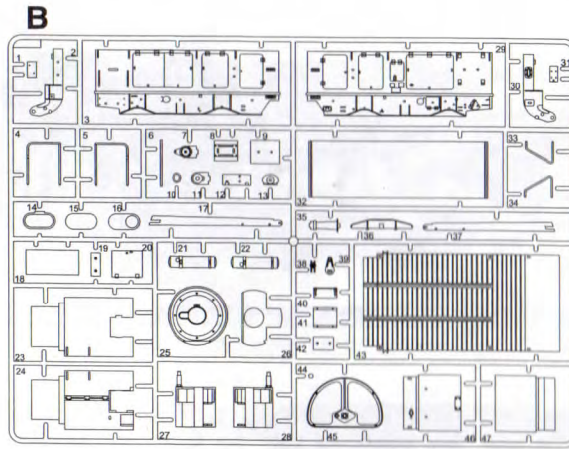
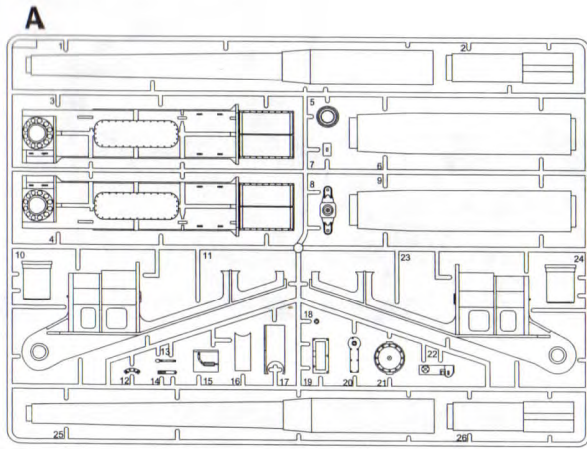
水贴纸的使用：

1. 从水贴纸上剪下印花；
2. 将印花放入温水中浸10秒，然后放在干净布上。
3. 拿着印花纸板将印花移到模型上；
4. 手指蘸水将印花移到适当的位置；
5. 用软布轻压印花直至水干，气泡消失。

DECAL APPLICATION

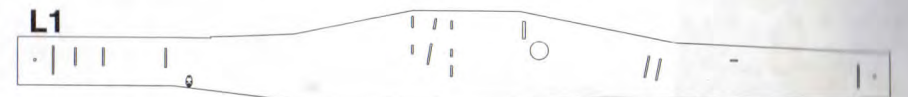
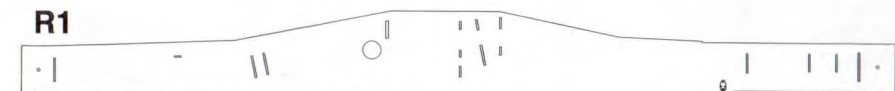
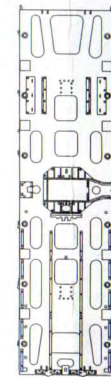
1. Cut off decal from sheet.
2. Dip the decal in tepid water 40° C for about 10 sec. and place on a clean cloth.
3. Hold the backing sheet edge and slide decal onto the model.
4. Move decal into position by wetting decal with finger.
5. Press decal gently down with a soft cloth until excess water and air bubbles are gone.

部品图 Parts

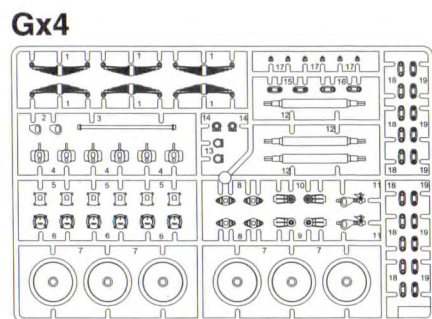
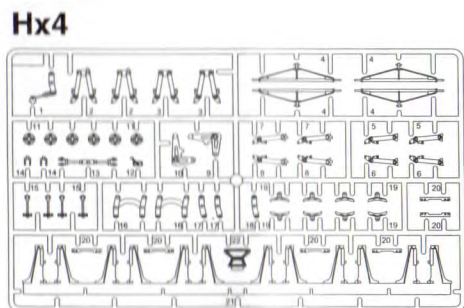
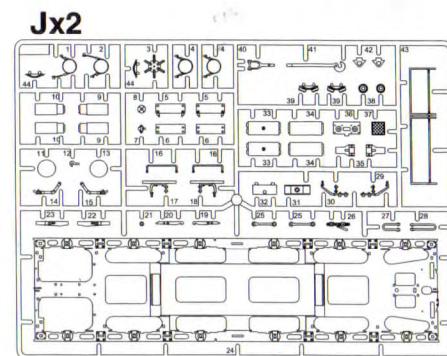
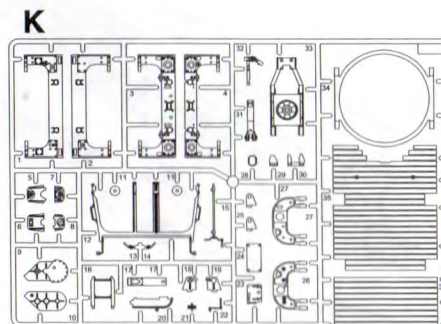
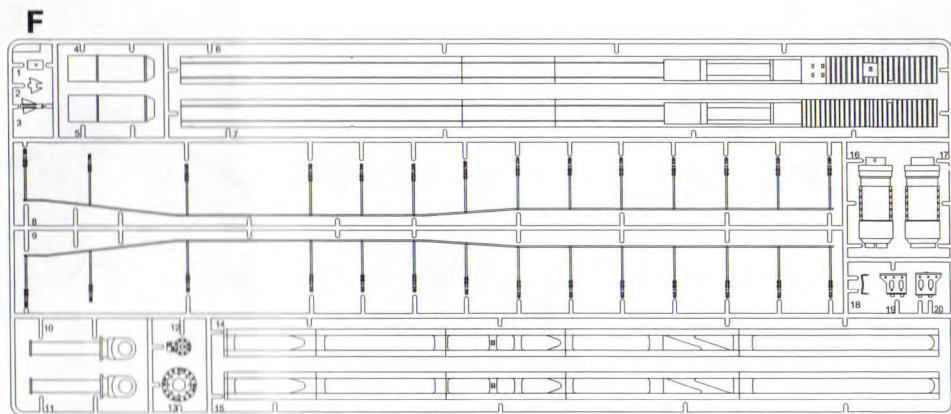


前车面
Front truck upper

后车面
Rear truck upper

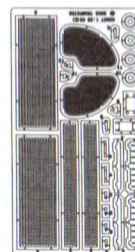
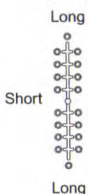


部品图 Parts

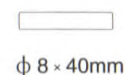


《蚀刻片》
Photo etched part (PE)

聚乙烯套 × 2
Poly cap × 2



金属轴 × 2
Axle shaft × 2



铜丝
Brass wire



线
Thread

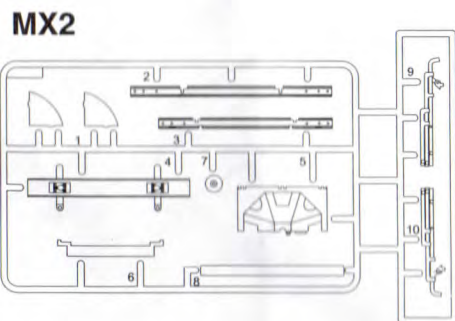


链条
Chain

水贴纸
Decal 1pcs



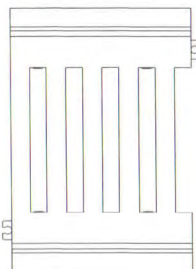
胶管
Hose



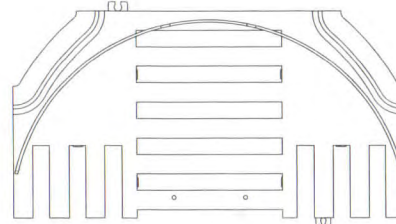
Road bed-A X4



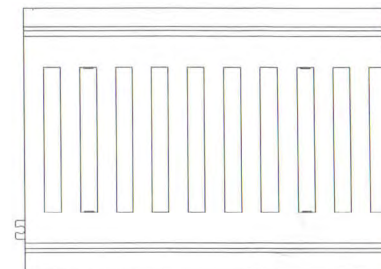
Road bed-B X8



Road bed-D X2



Road-C X4

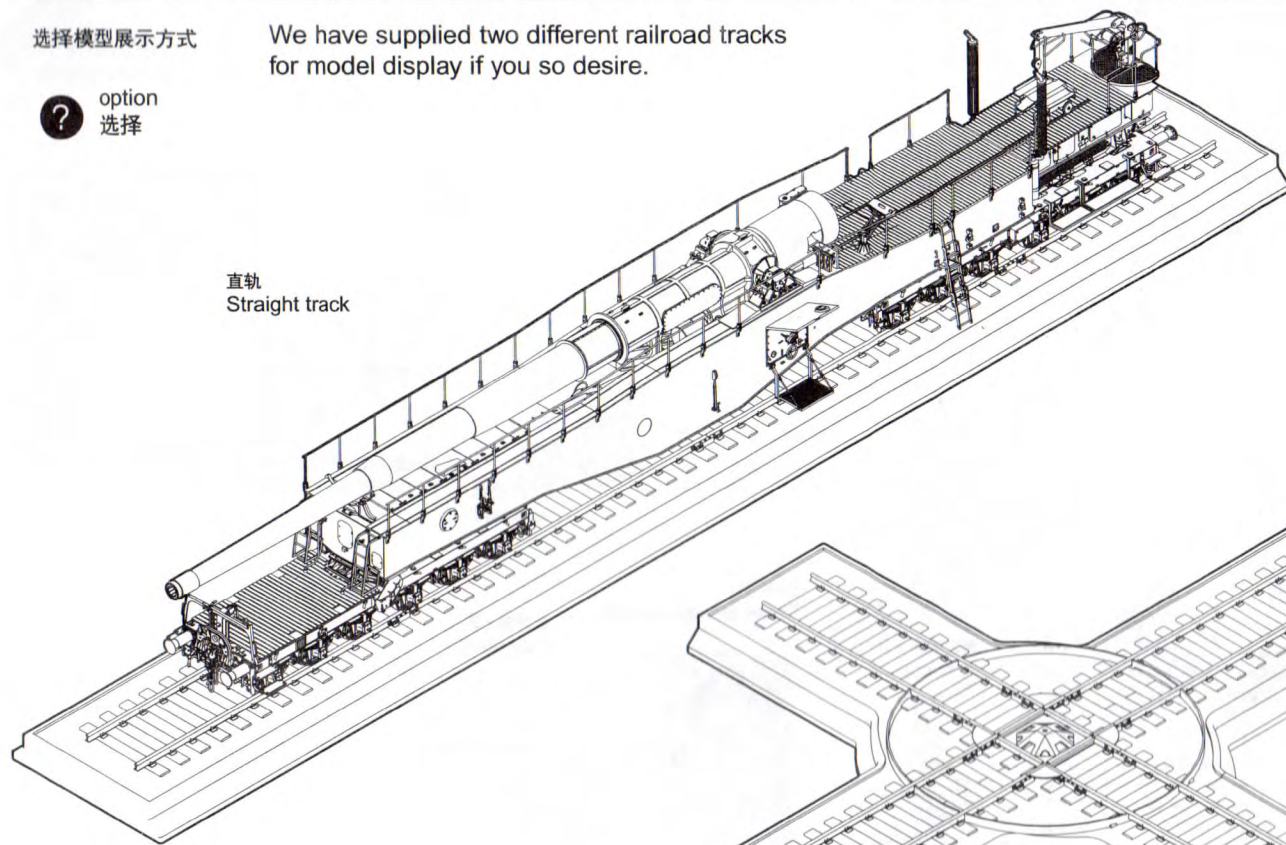


选择模型展示方式

We have supplied two different railroad tracks for model display if you so desire.

? option
选择

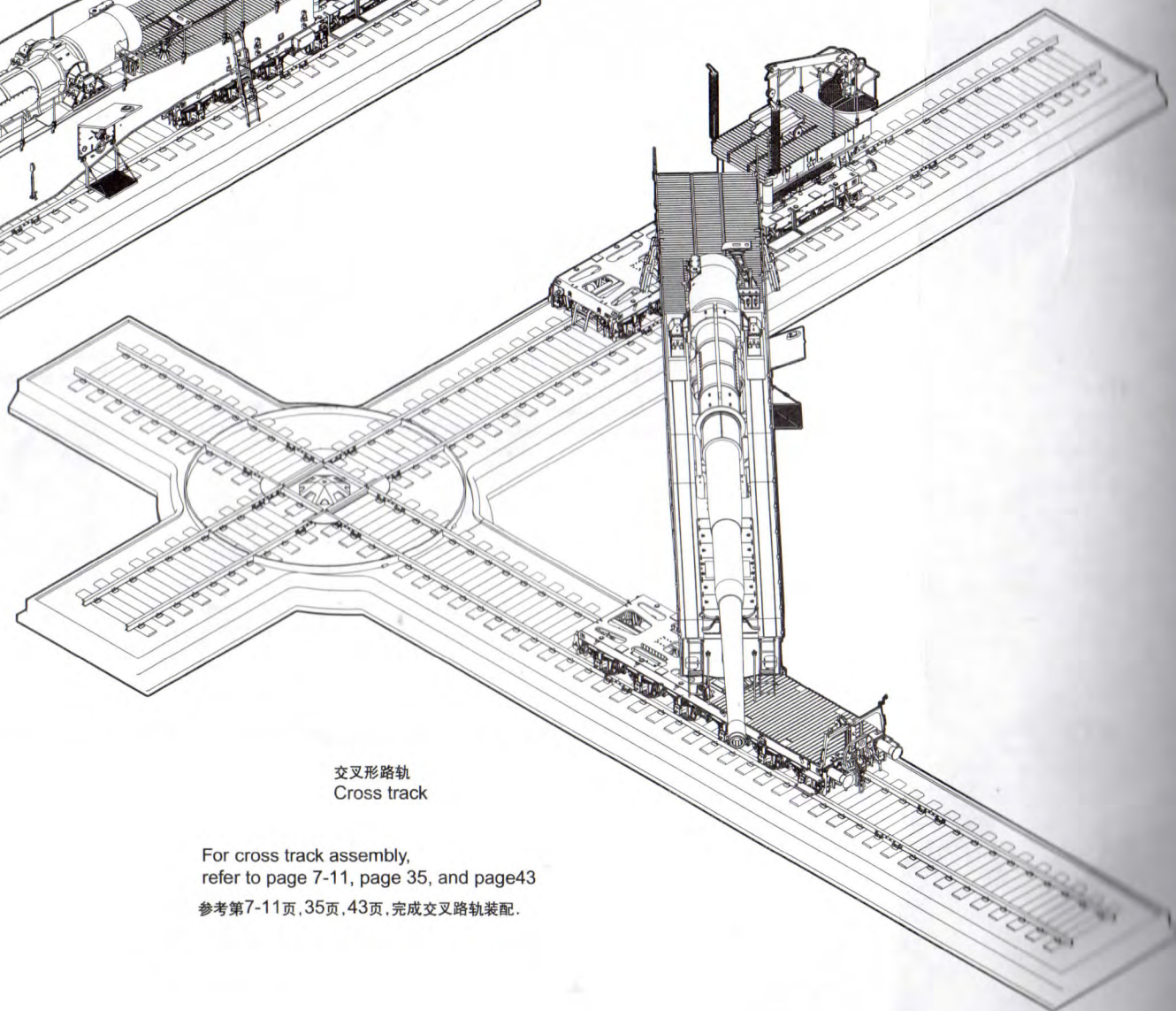
直轨
Straight track



For straight track assembly,
refer to page 5&6, page 35, and page42

参考第5同6页, 35页, 42页, 完成直轨装配.

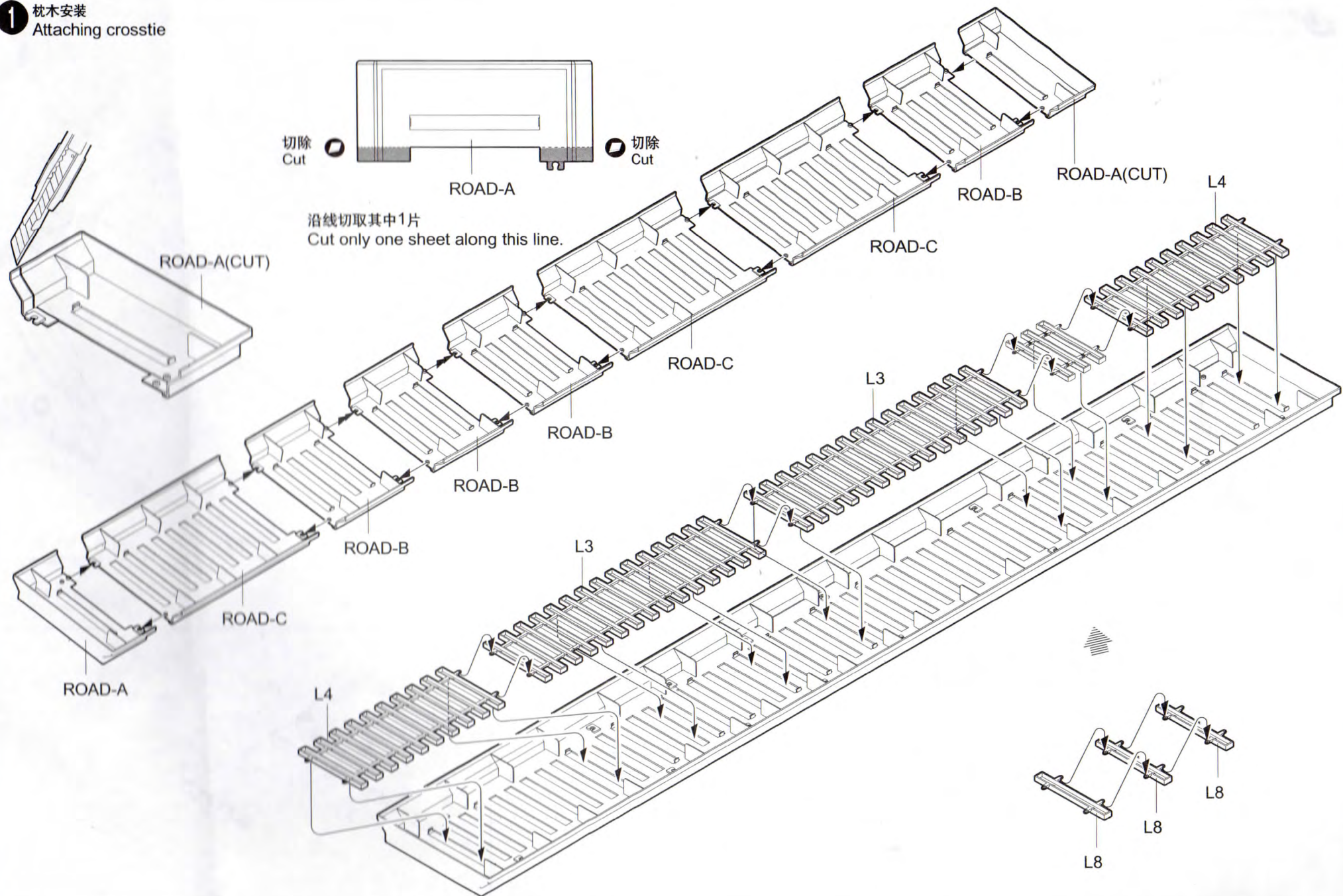
交叉形路轨
Cross track



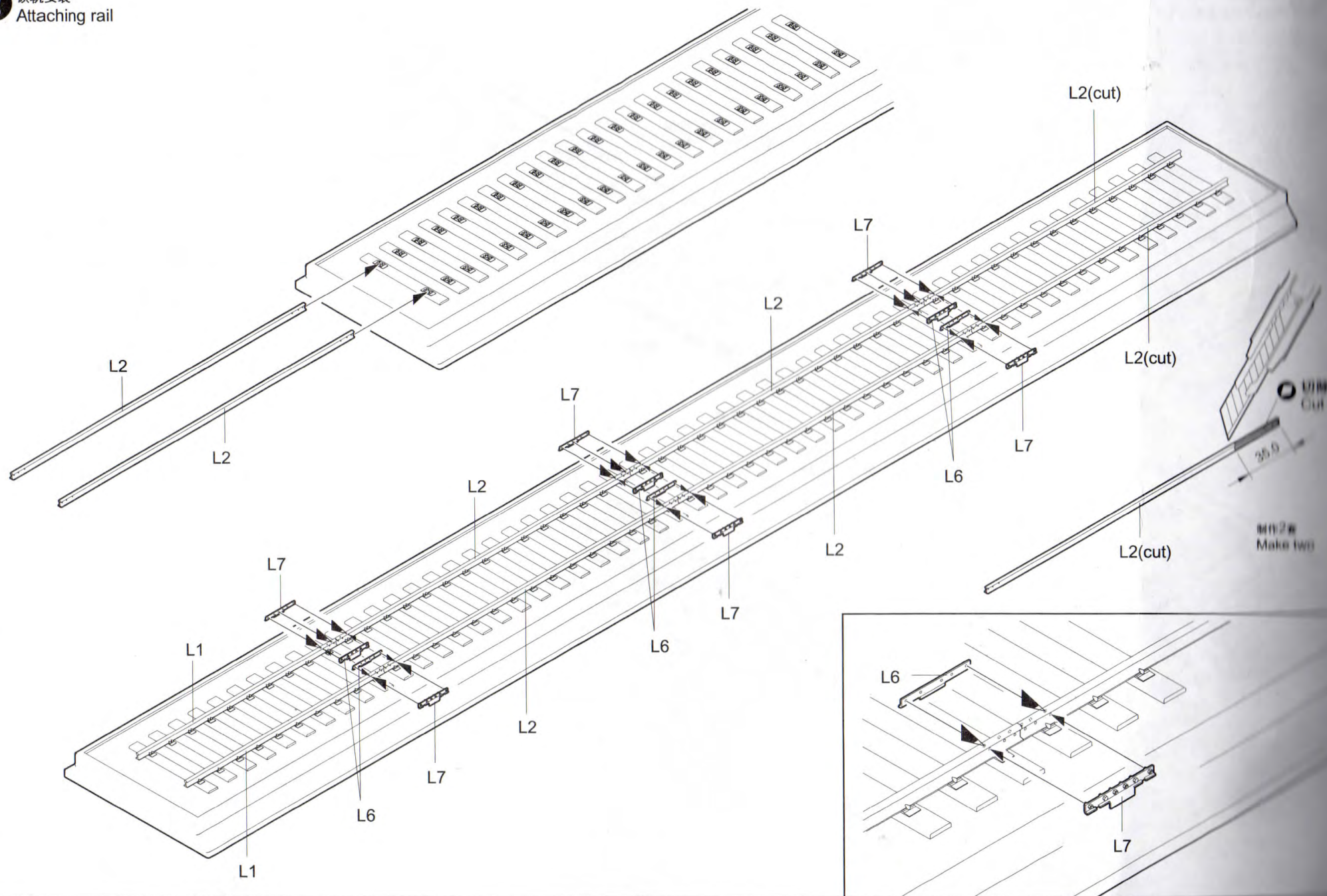
For cross track assembly,
refer to page 7-11, page 35, and page43

参考第7-11页, 35页, 43页, 完成交叉路轨装配.

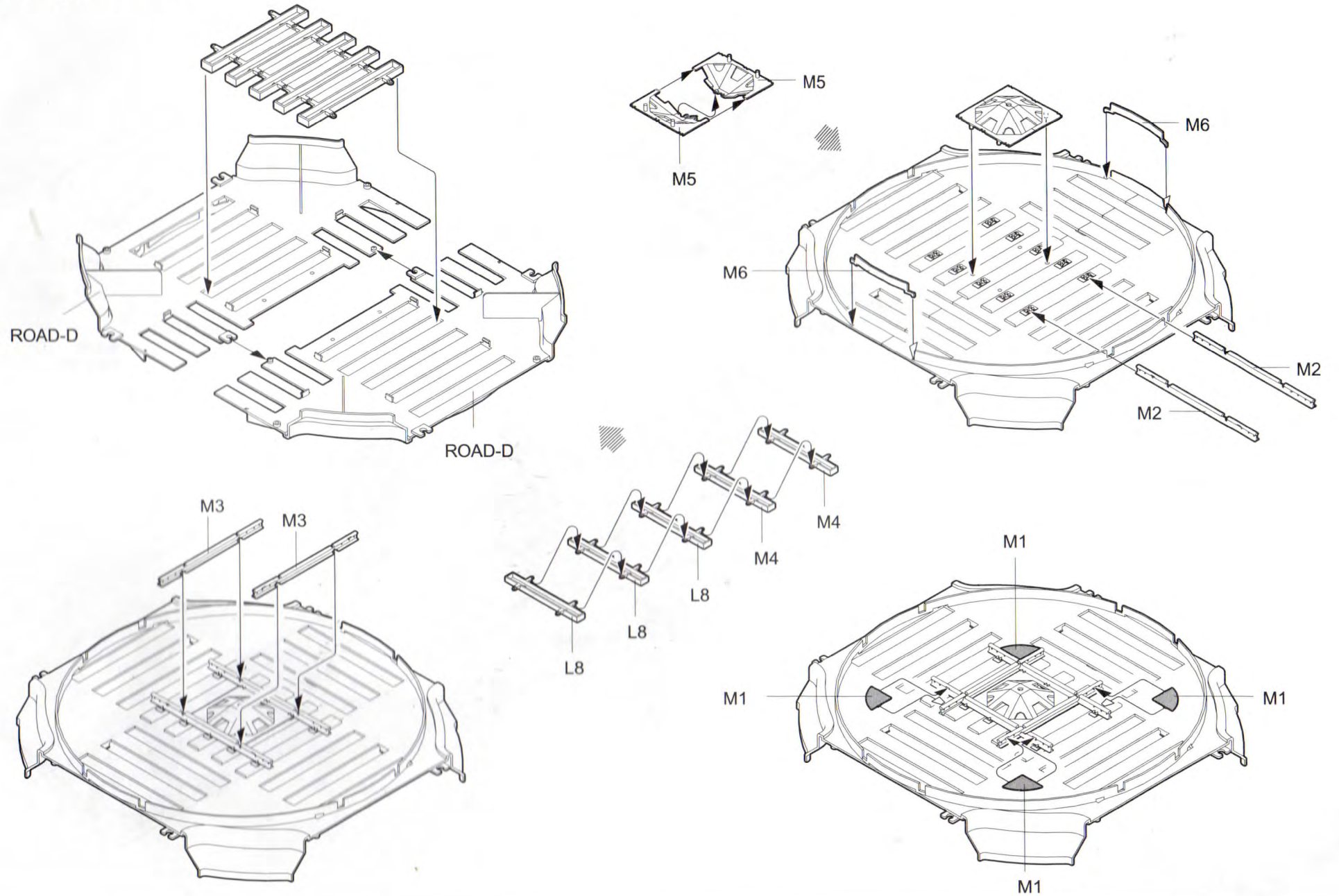
1 枕木安装
Attaching crosstie



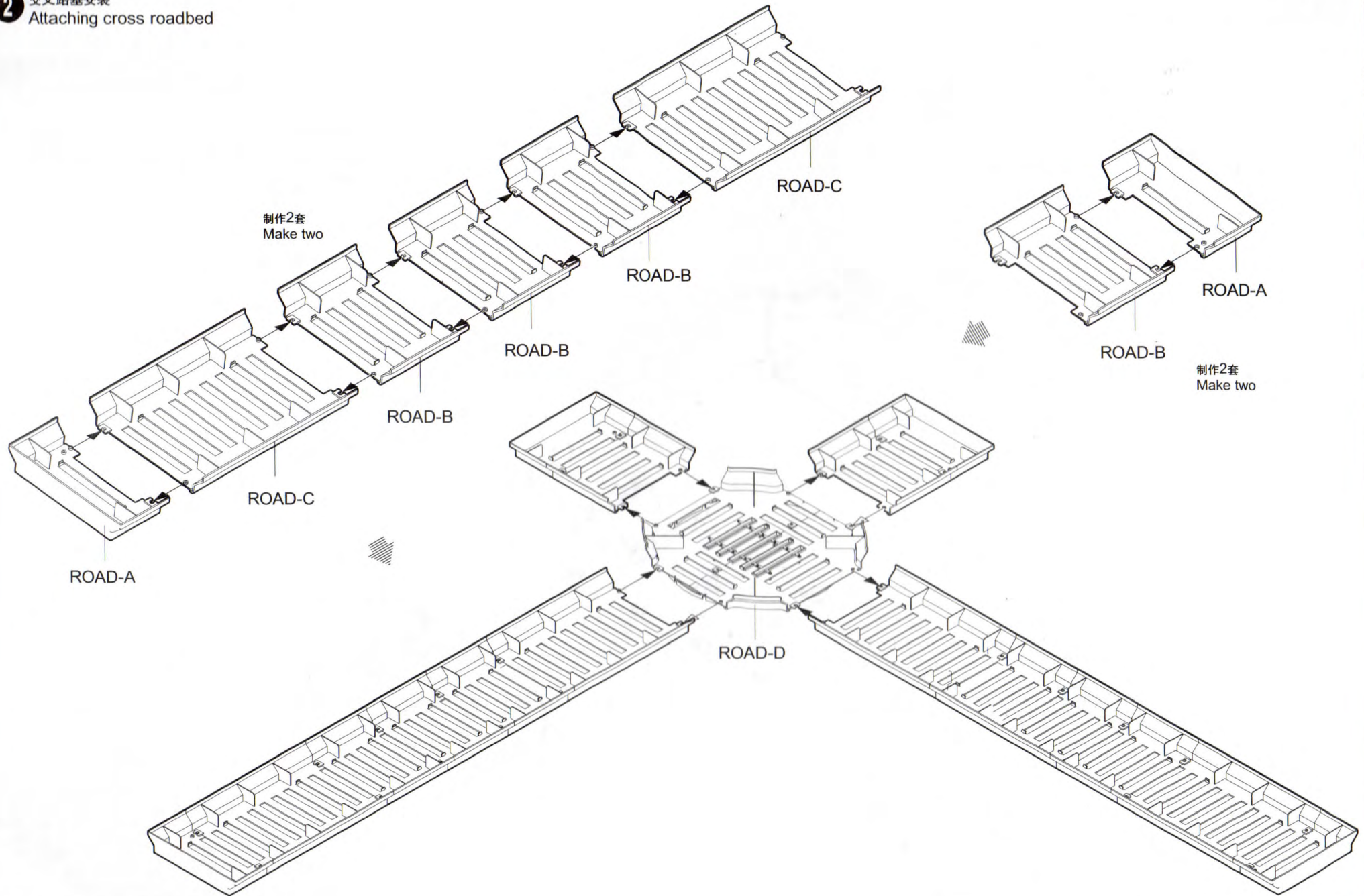
2 铁轨安装
Attaching rail



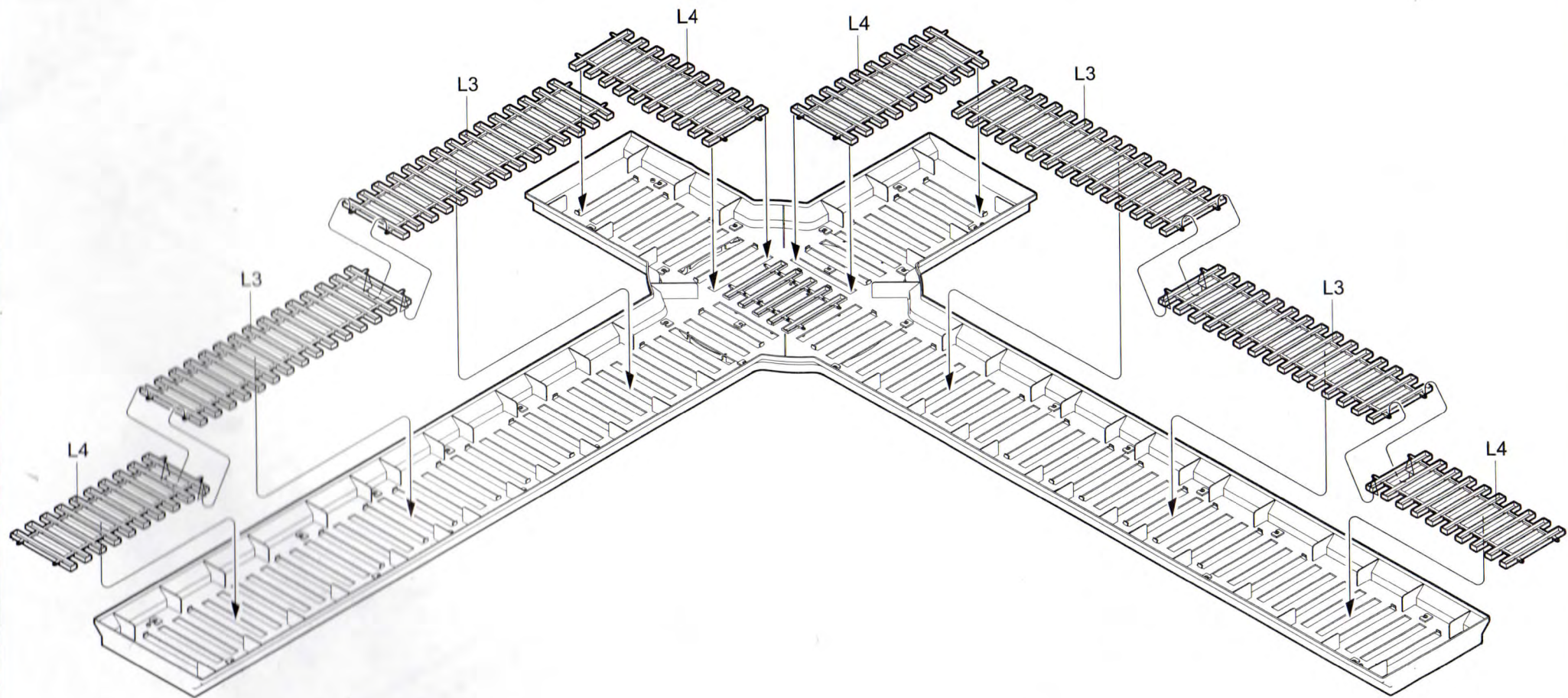
1 路基安装
Attaching cross roadbed



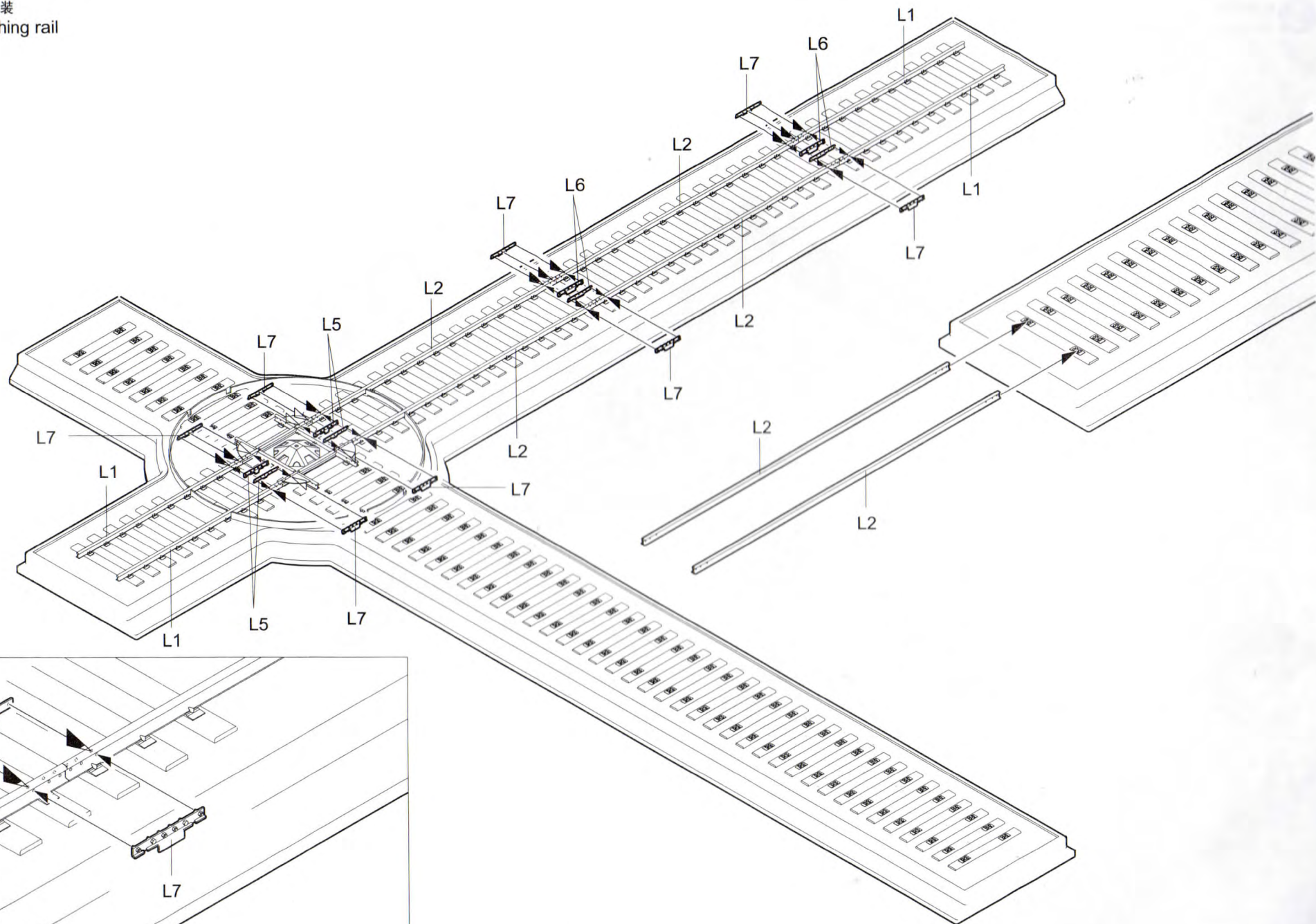
2 交叉路基安装
Attaching cross roadbed



3 枕木安装
Attaching cross-tie

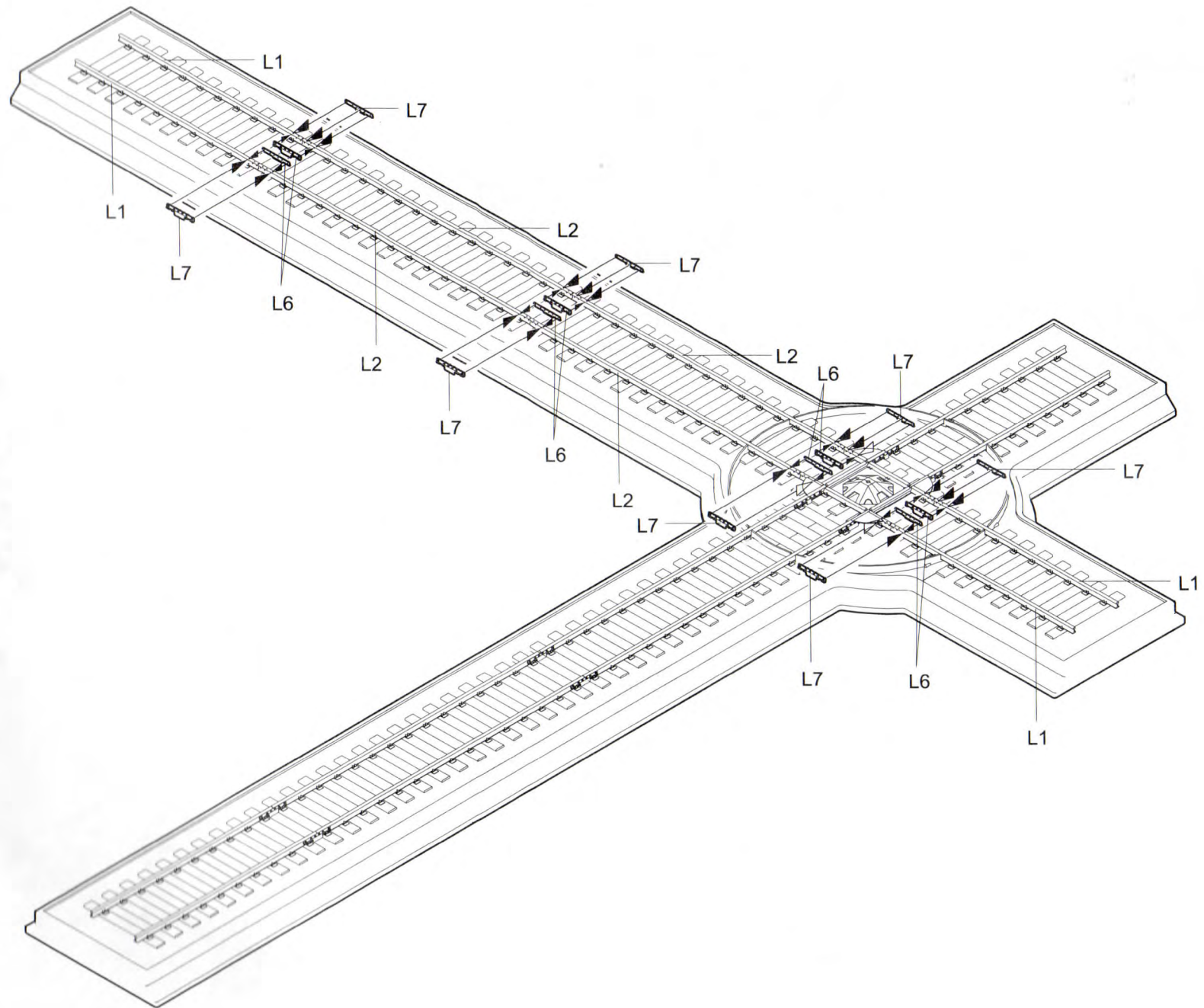


4 铁轨安装
Attaching rail



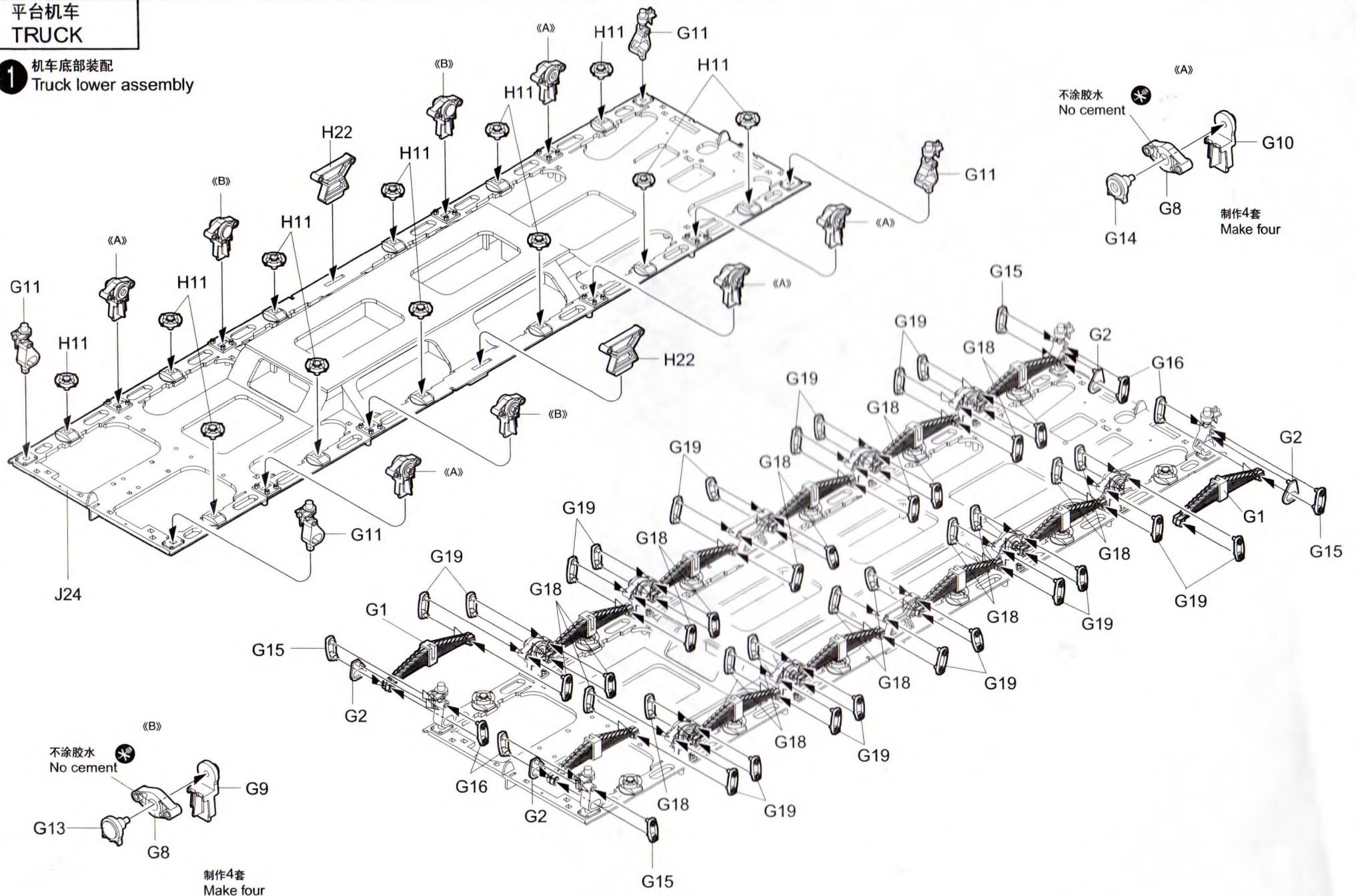
5

铁轨连装
Connecting rails

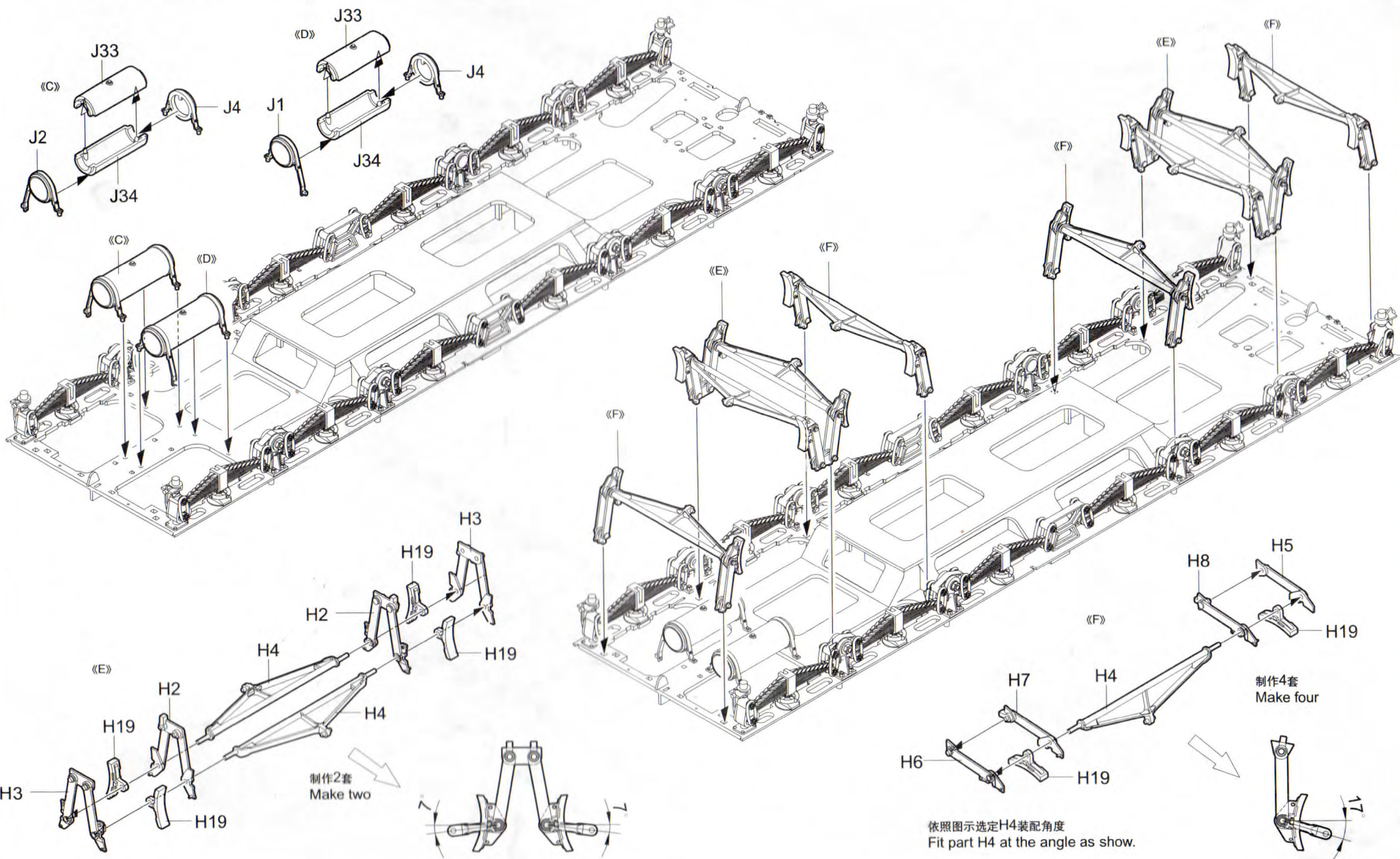


平台机车
TRUCK

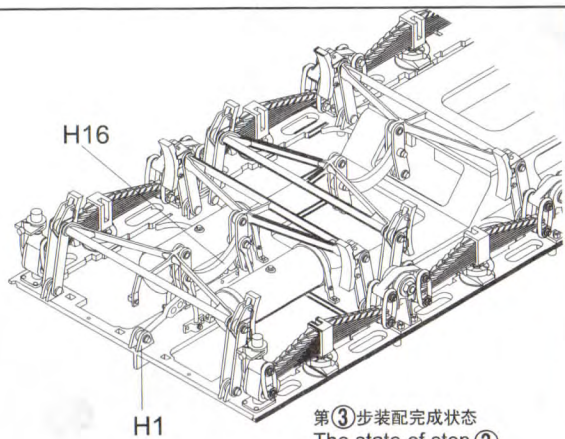
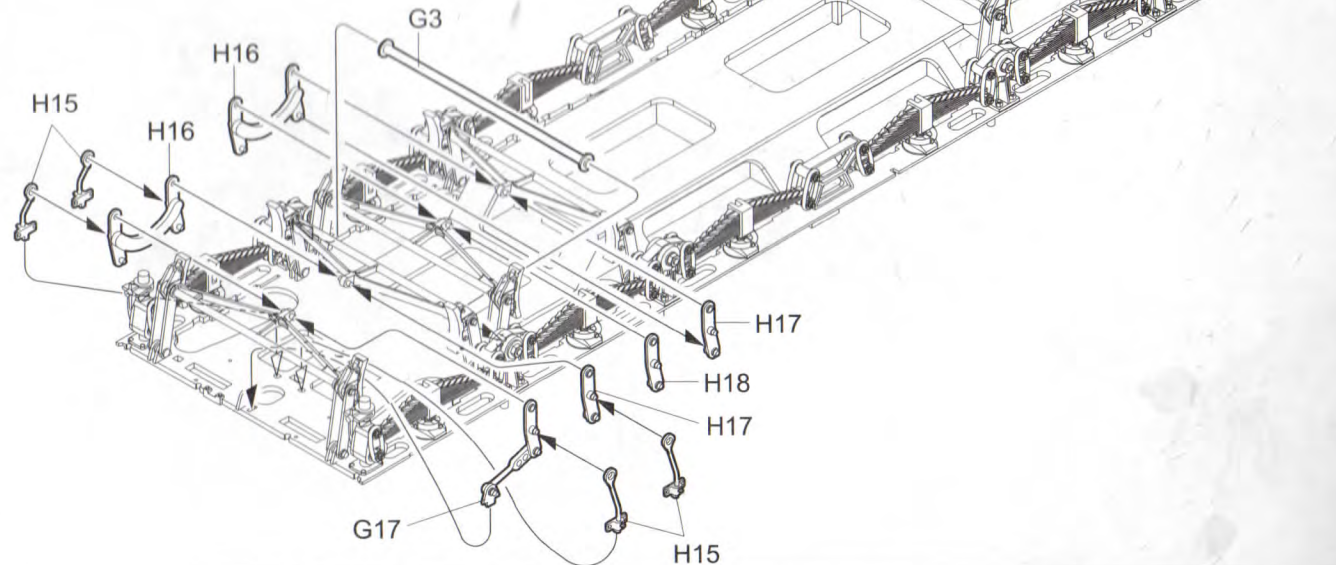
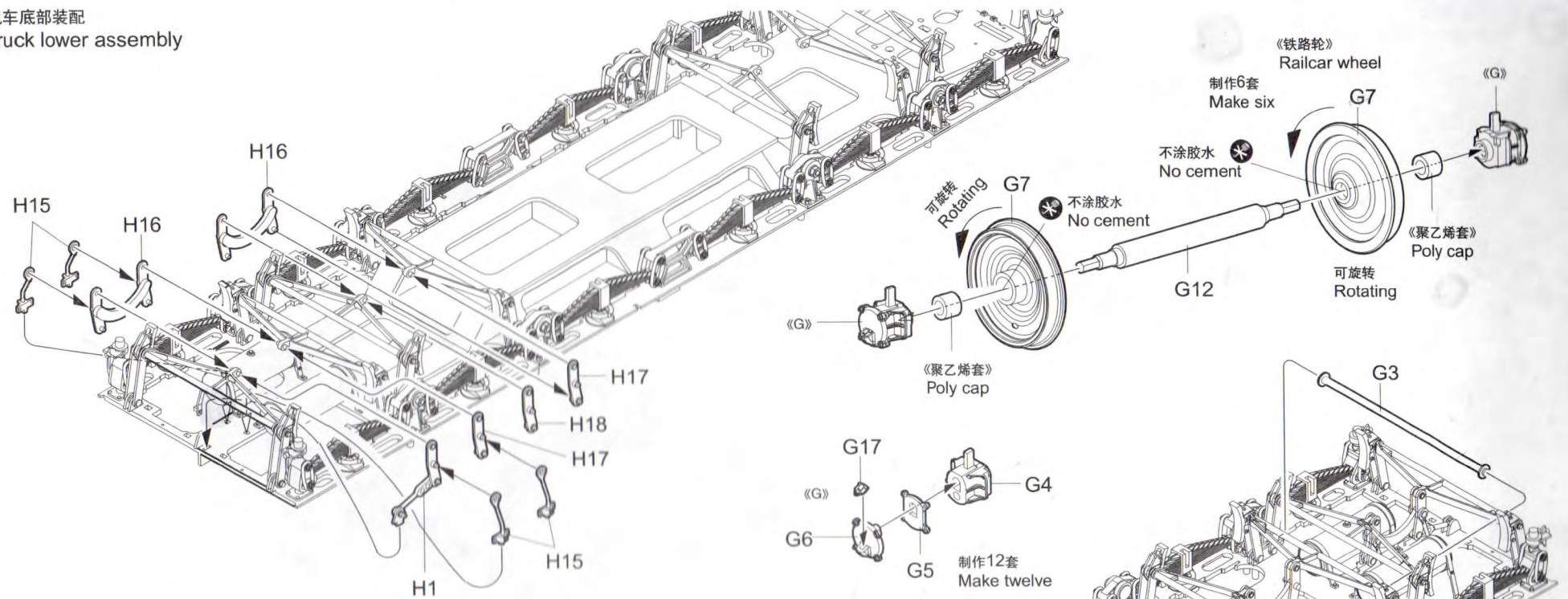
1 机车底部装配
Truck lower assembly



2 机车底部装配
Truck lower assembly

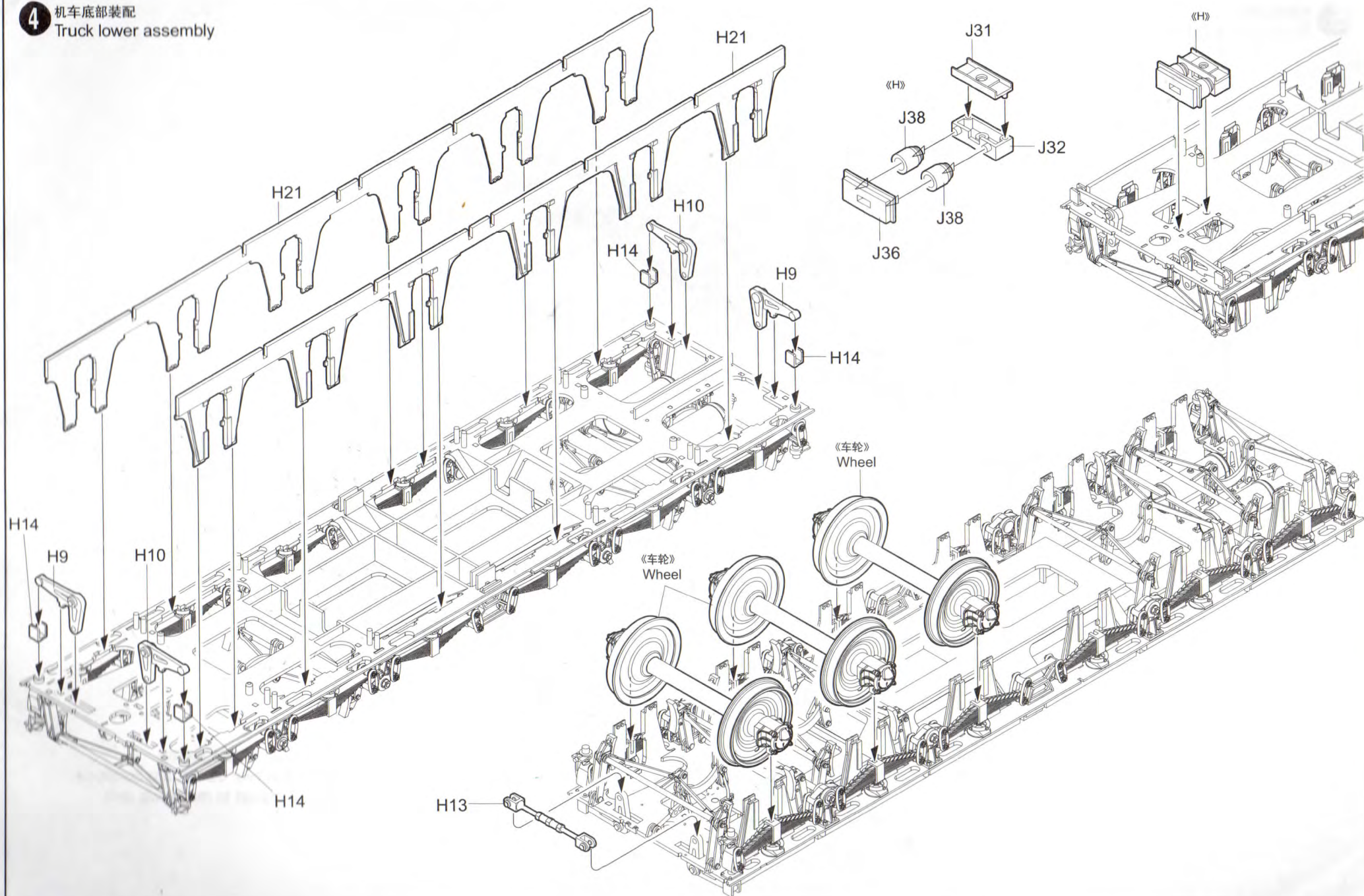


3 机车底部装配
Truck lower assembly

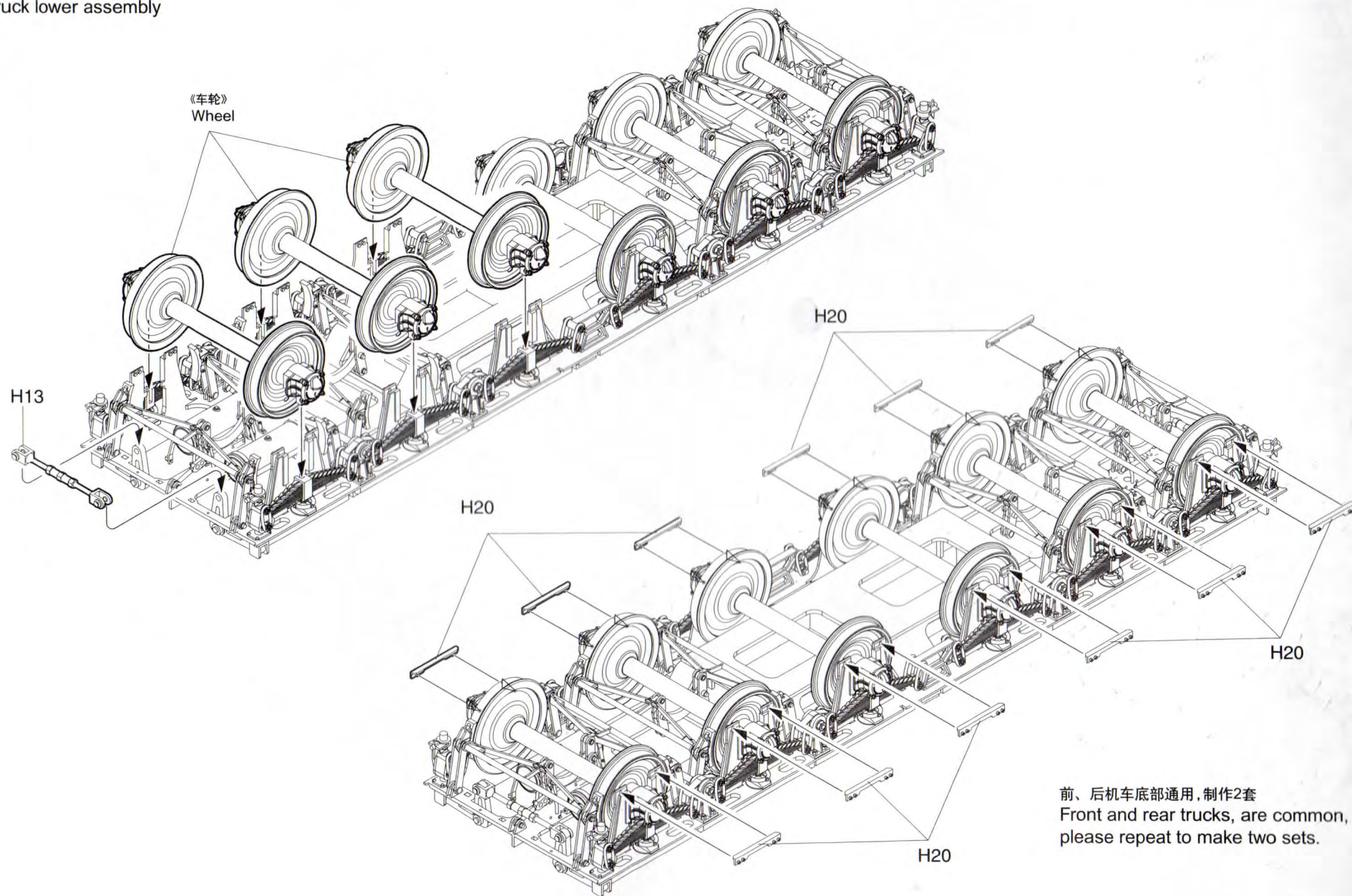


第③步装配完成状态
The state of step ③

4 机车底部装配
Truck lower assembly

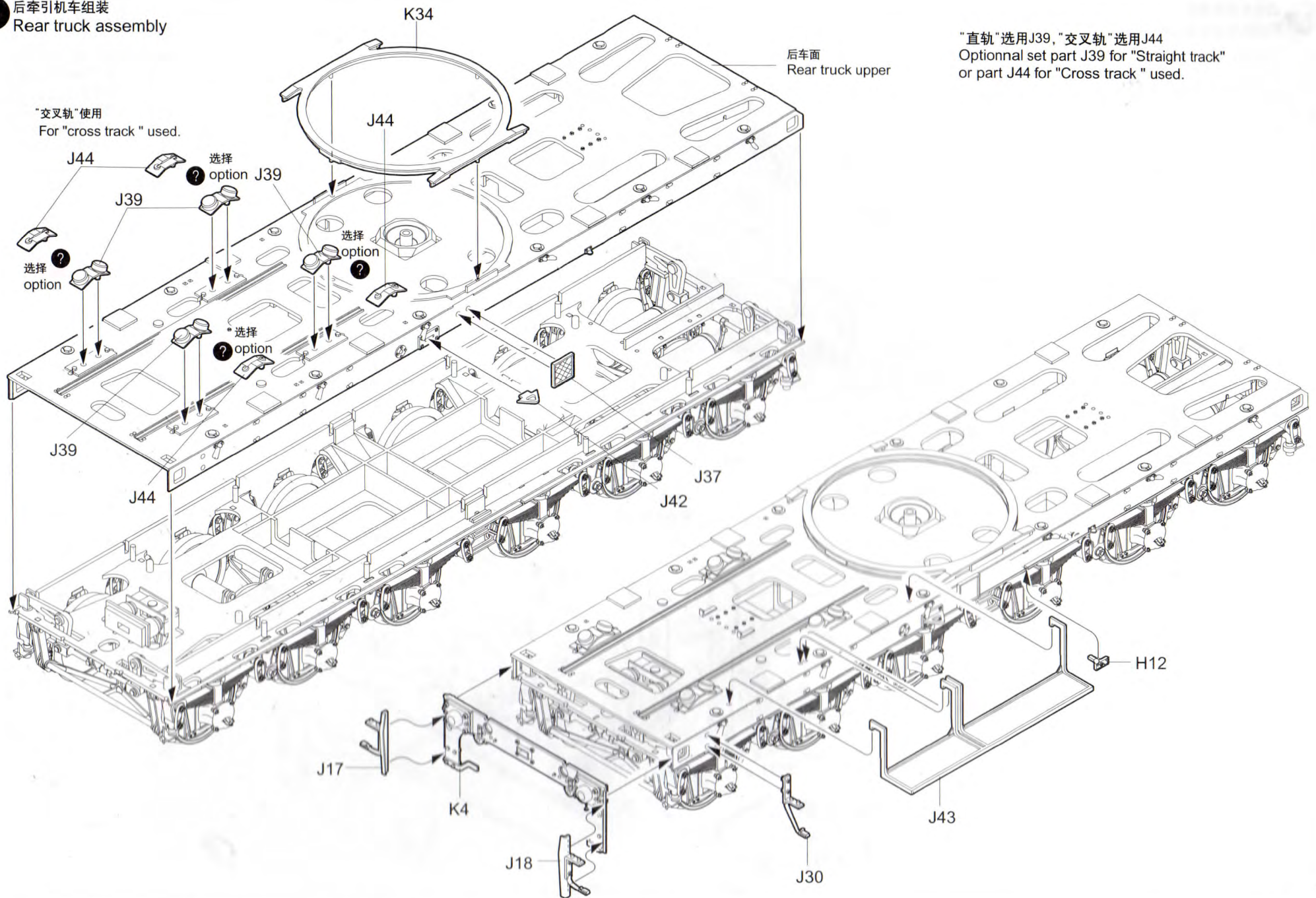


5 机车底部装配
Truck lower assembly

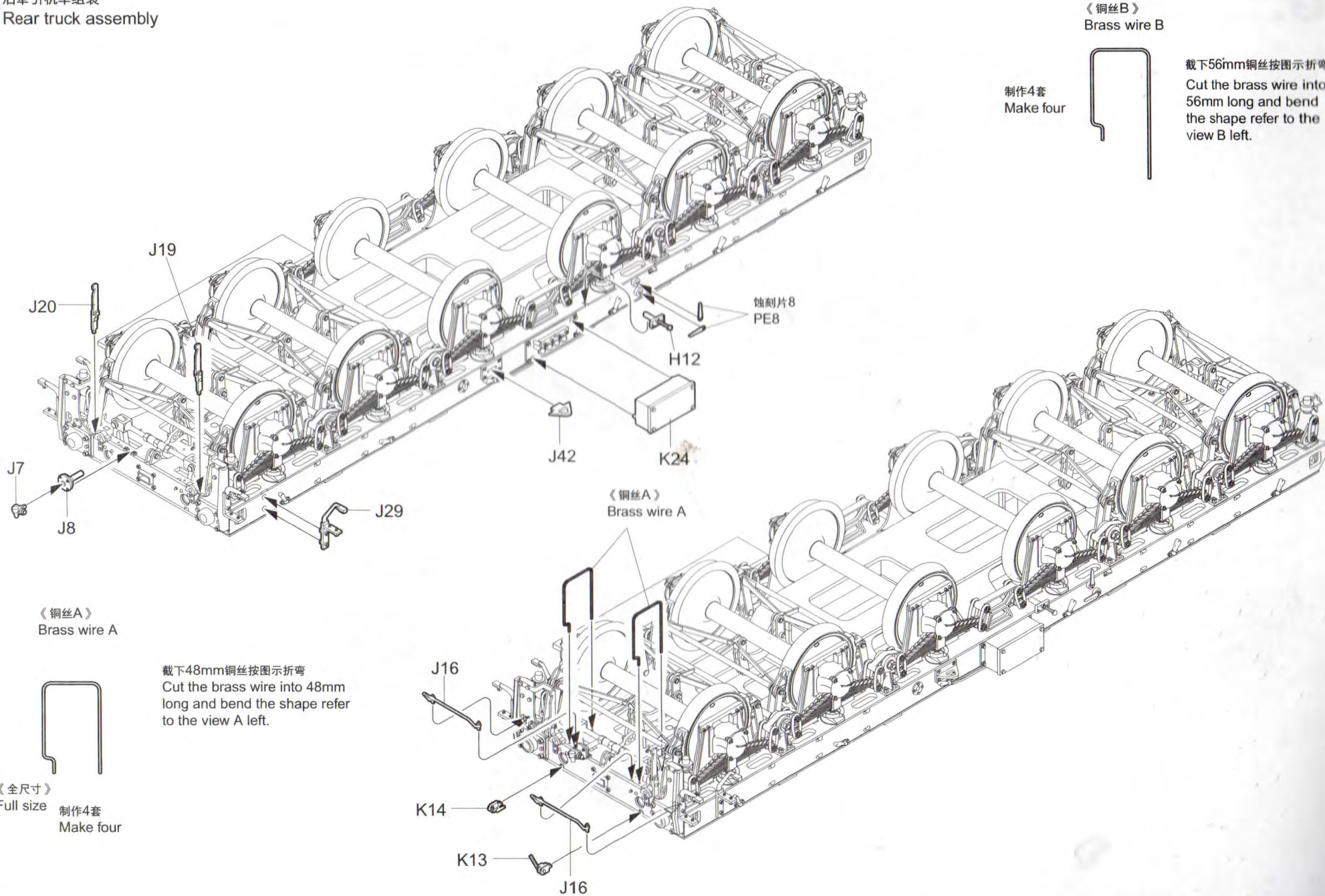


前、后机车底部通用,制作2套
Front and rear trucks, are common,
please repeat to make two sets.

6 后牵引机车组装
Rear truck assembly



7 后牵引机车组装
Rear truck assembly



《铜丝B》
Brass wire B

制作4套
Make four



截下56mm铜丝按图示折弯
Cut the brass wire into 56mm long and bend the shape refer to the view B left.

《铜丝A》
Brass wire A

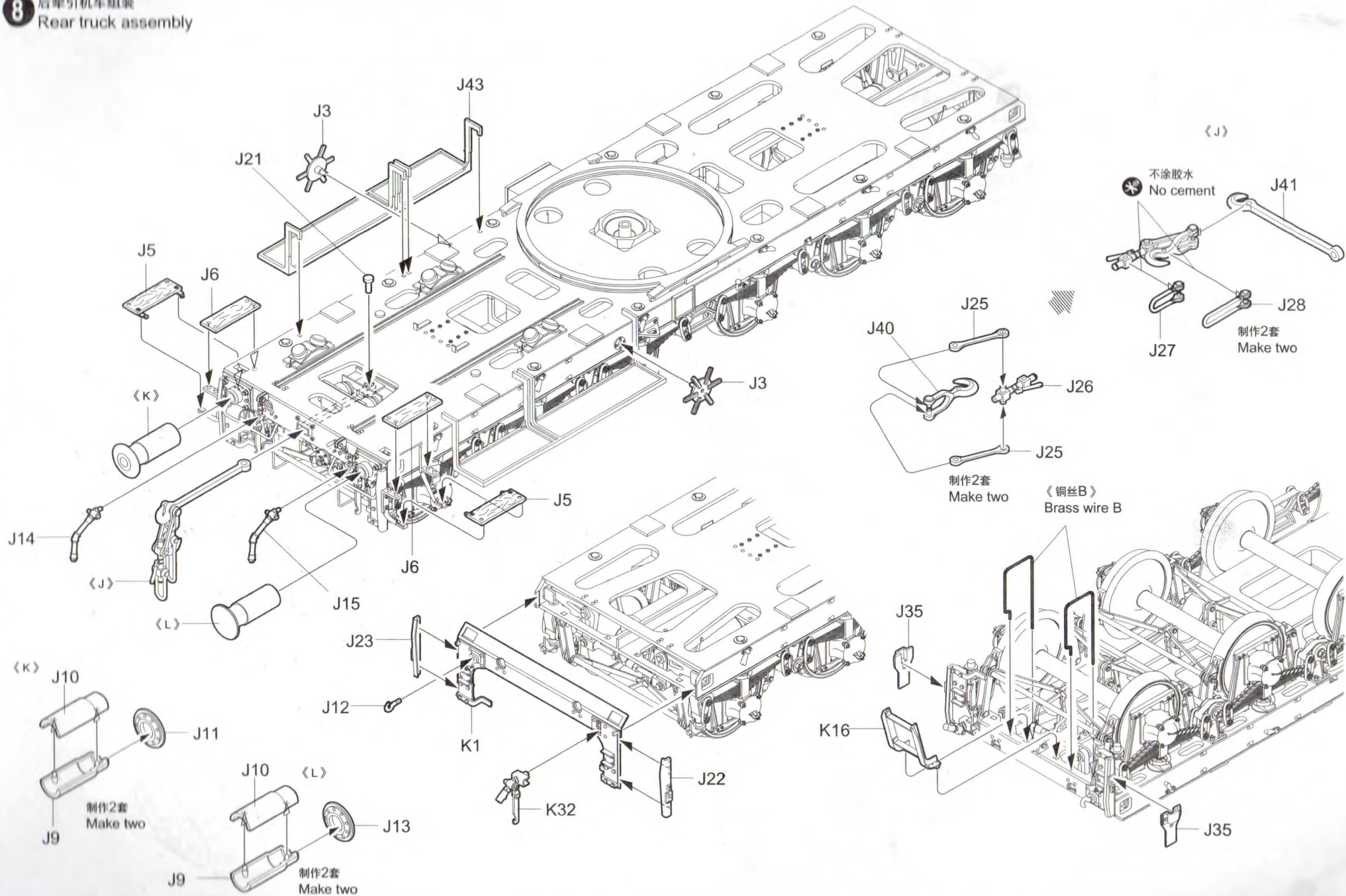


《全尺寸》
Full size 制作4套
Make four

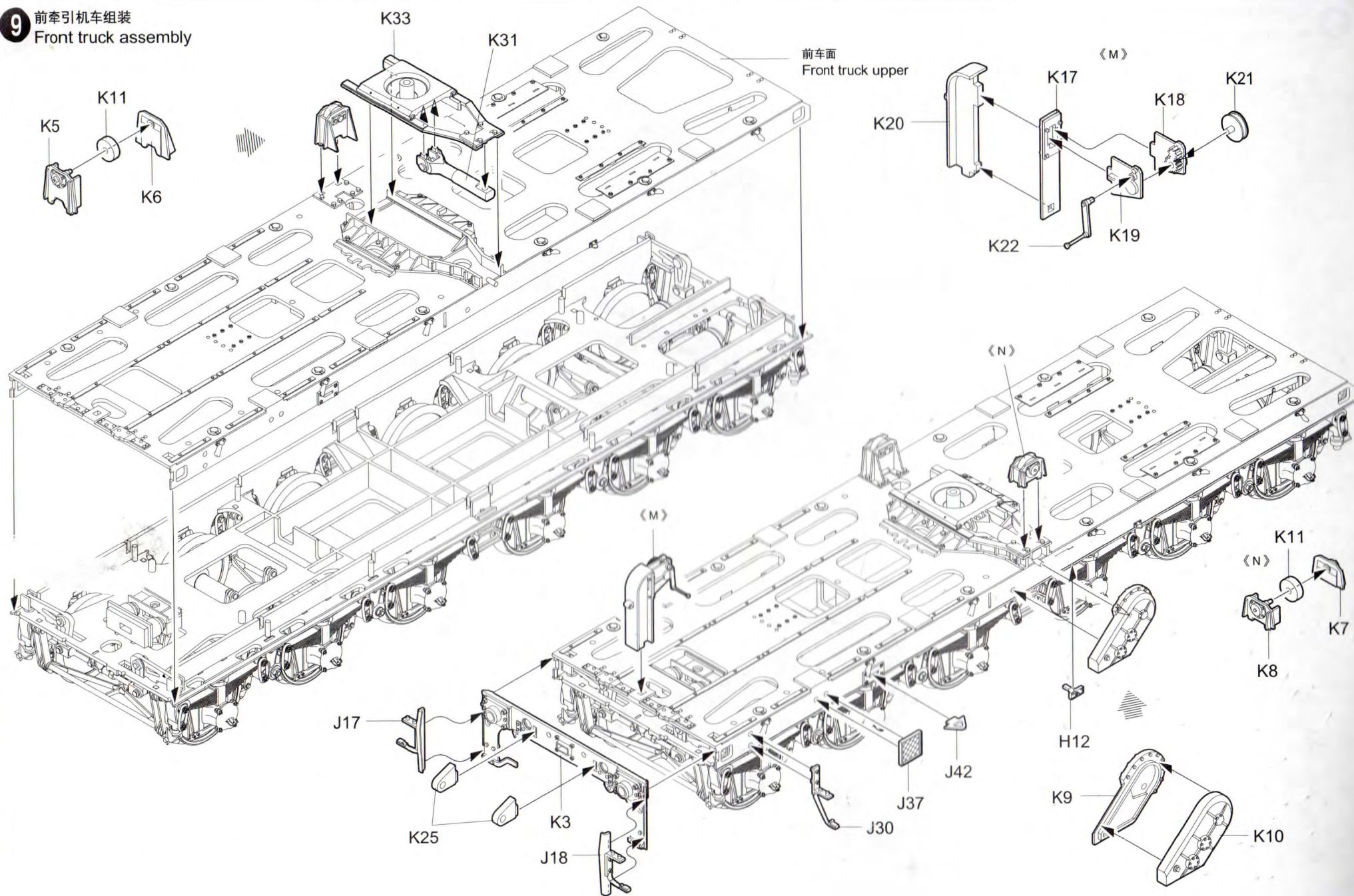
截下48mm铜丝按图示折弯
Cut the brass wire into 48mm long and bend the shape refer to the view A left.

《铜丝A》
Brass wire A

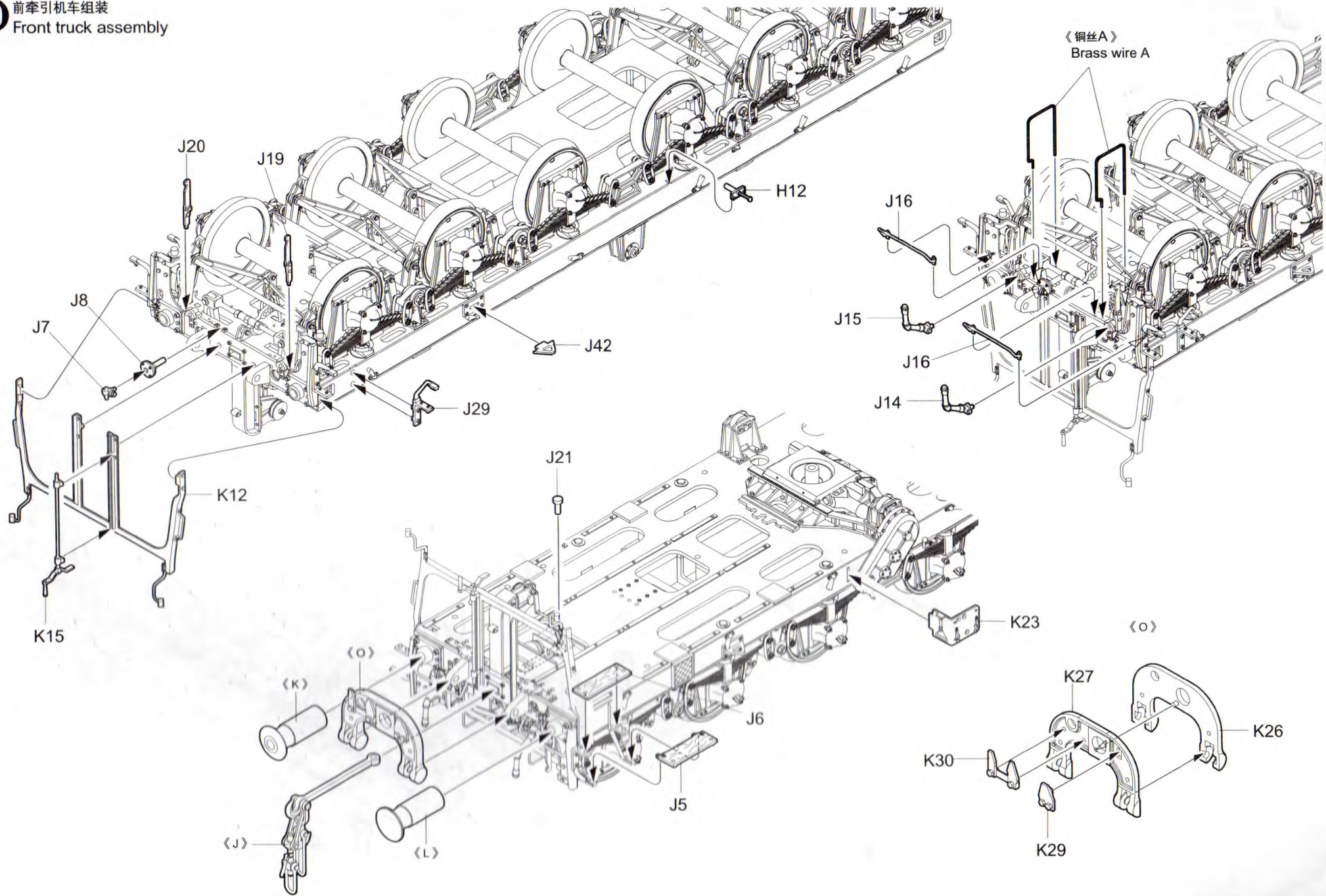
8 后牵引机车组装
Rear truck assembly

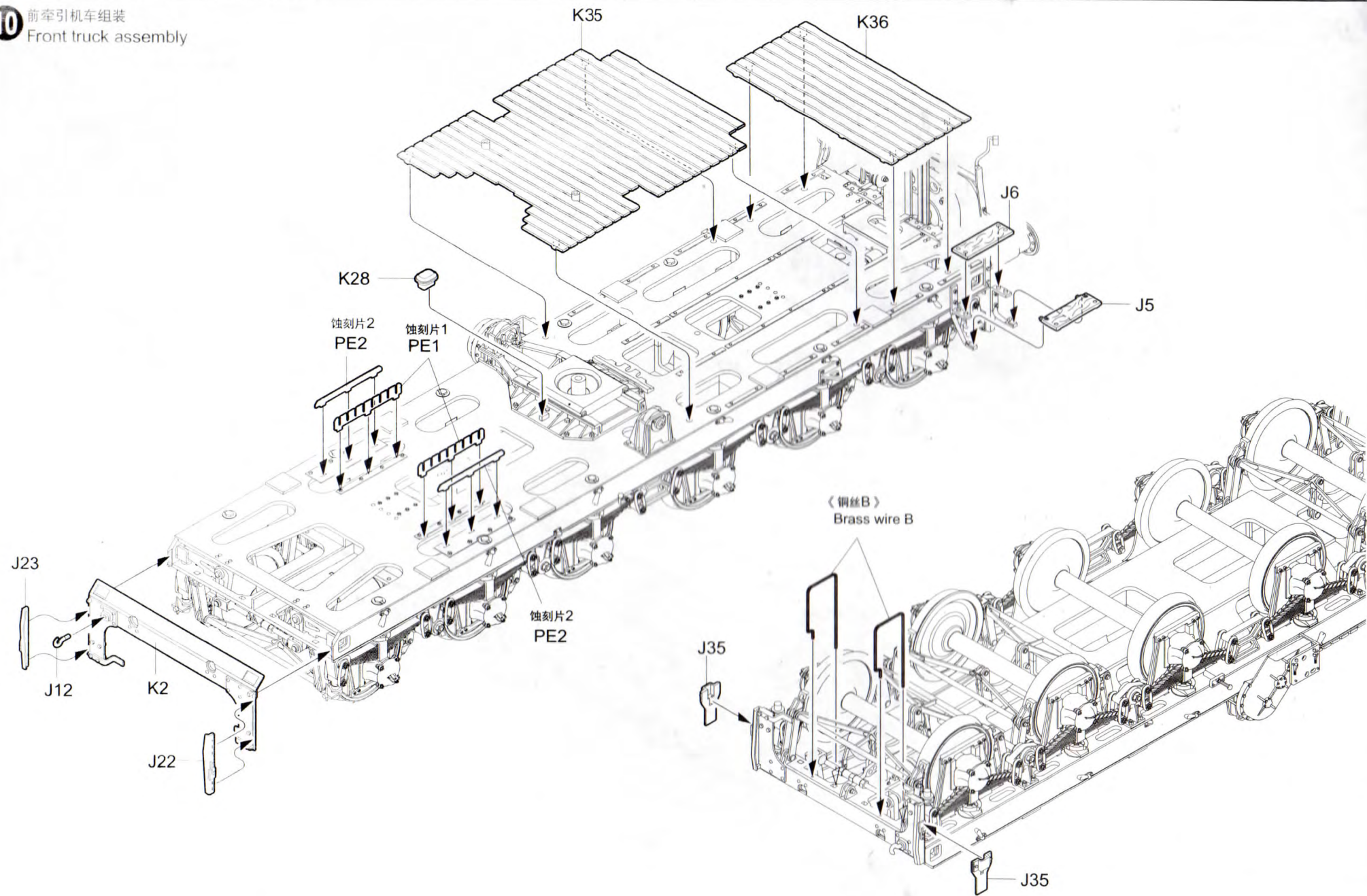


9 前牵引机车组装
Front truck assembly

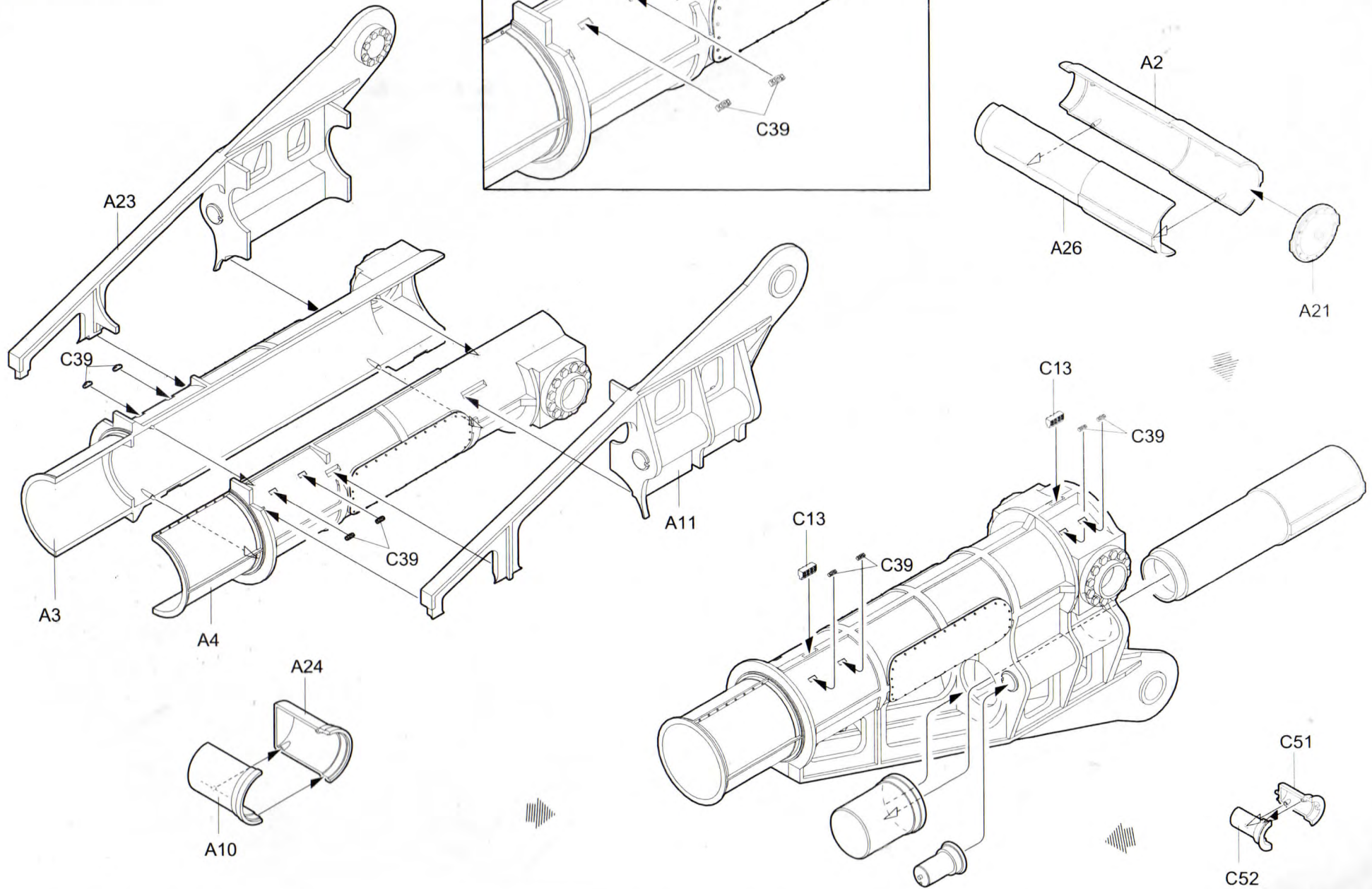


10 前牵引机组装
Front truck assembly

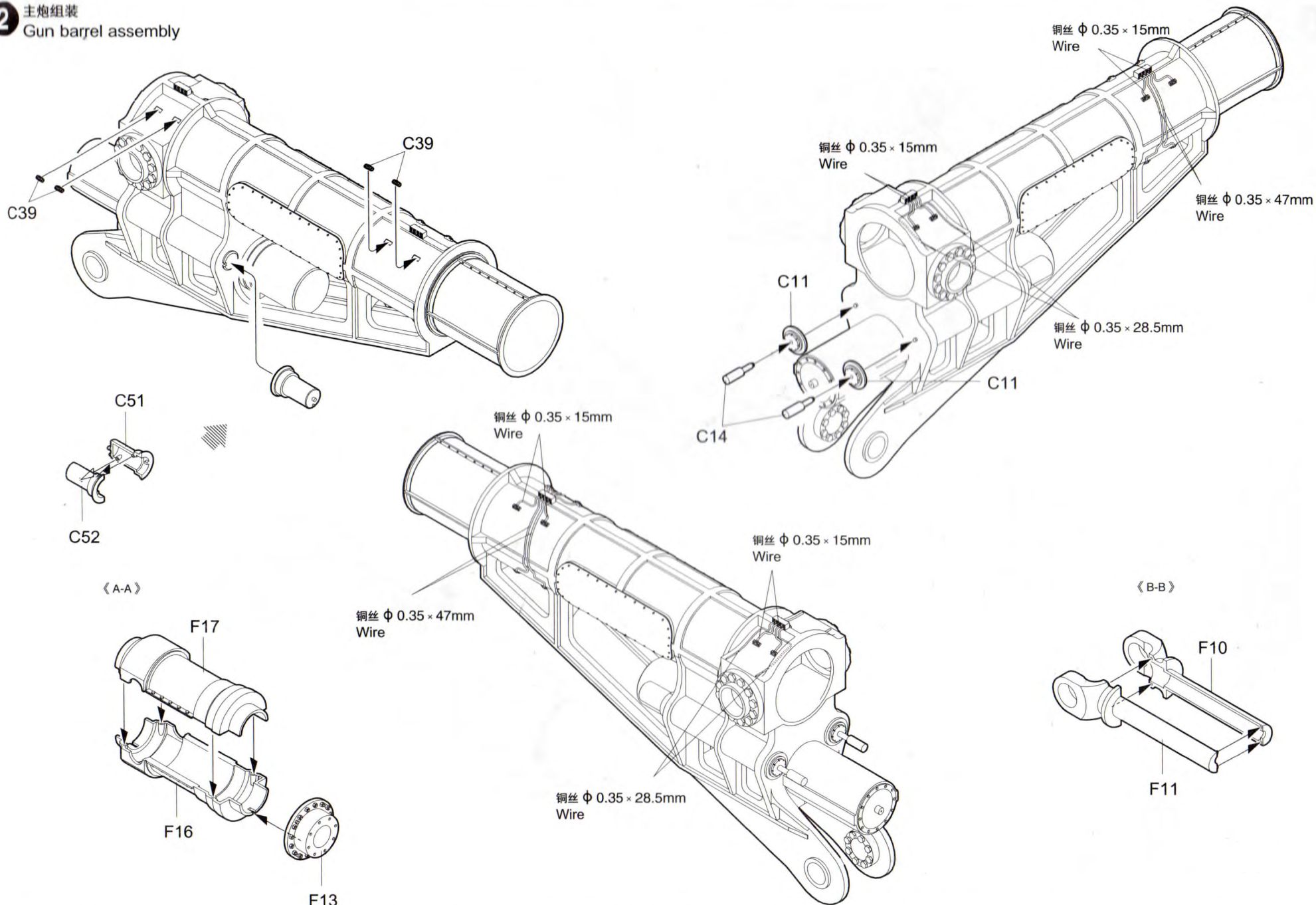




1 主炮组装
Gun barrel assembly

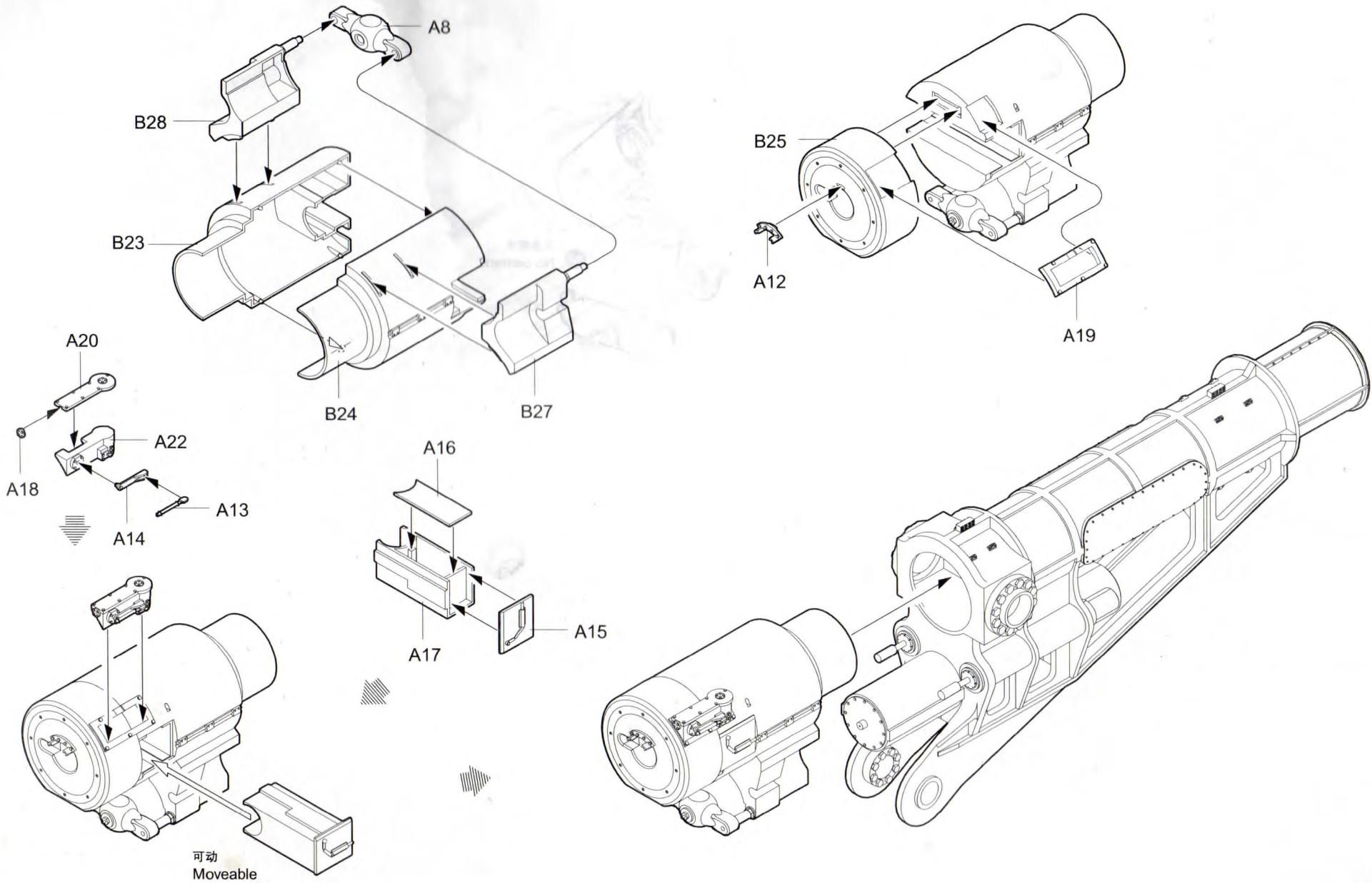


2 主炮组装
Gun barrel assembly

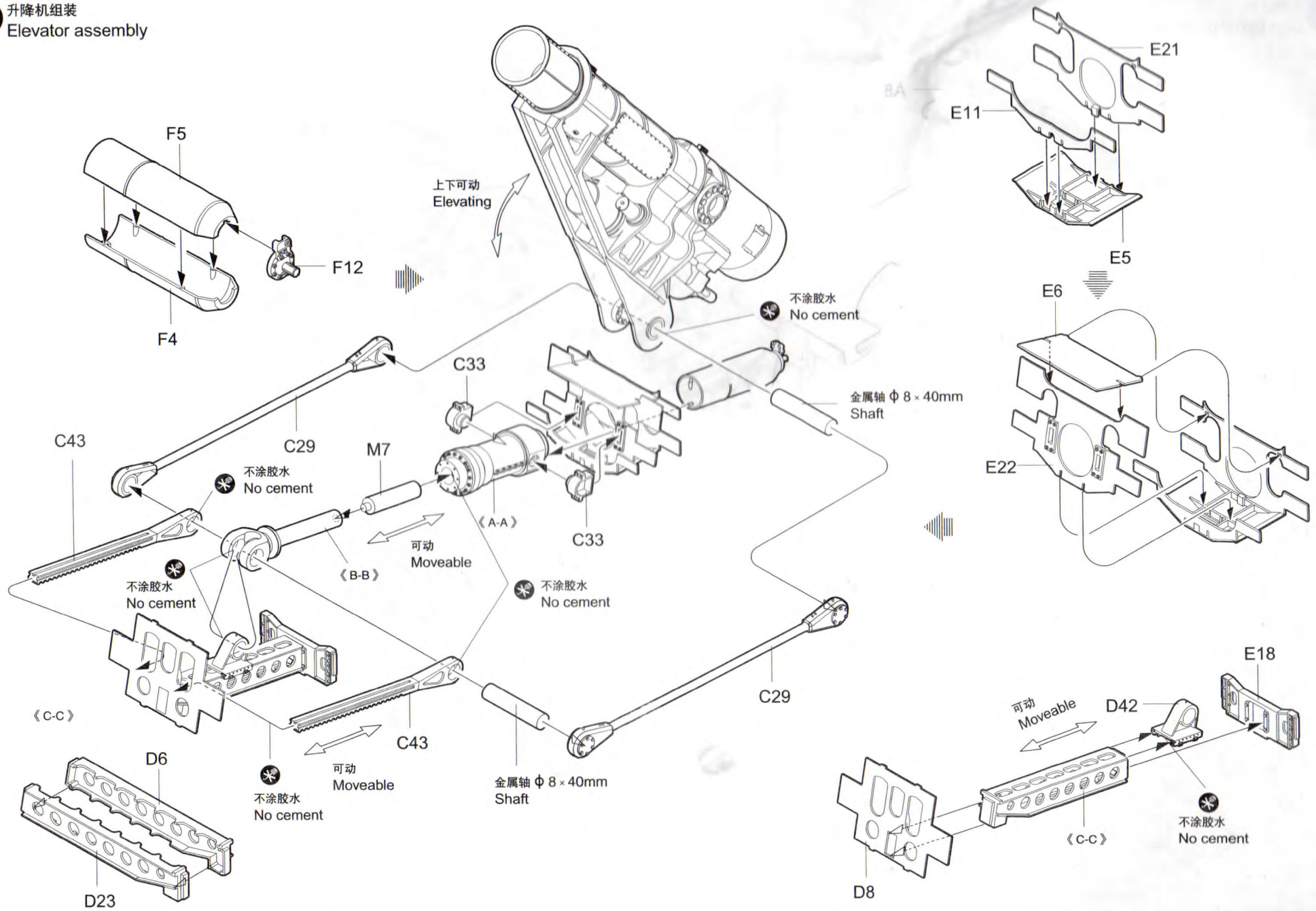


3

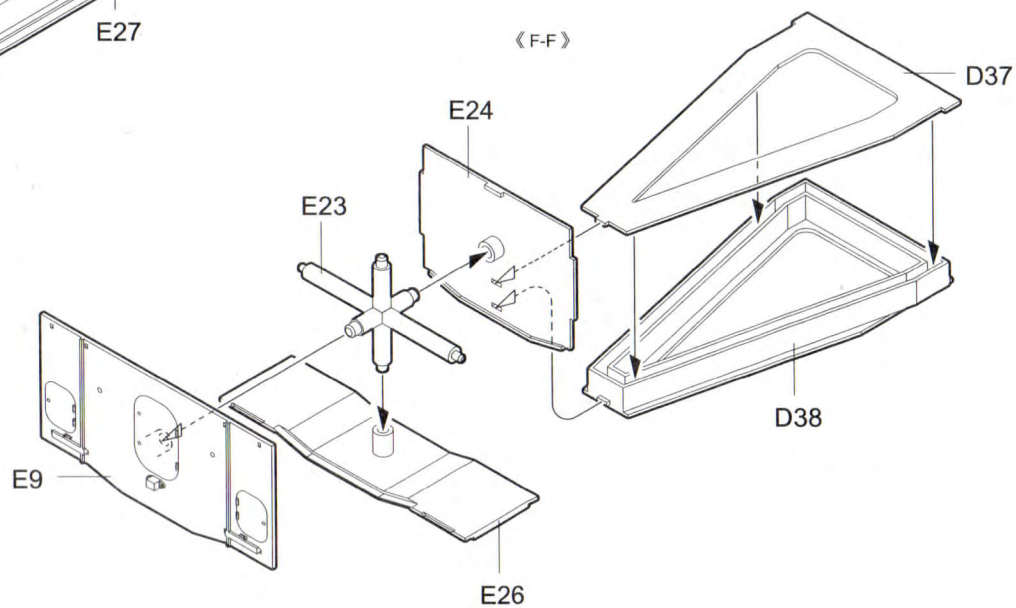
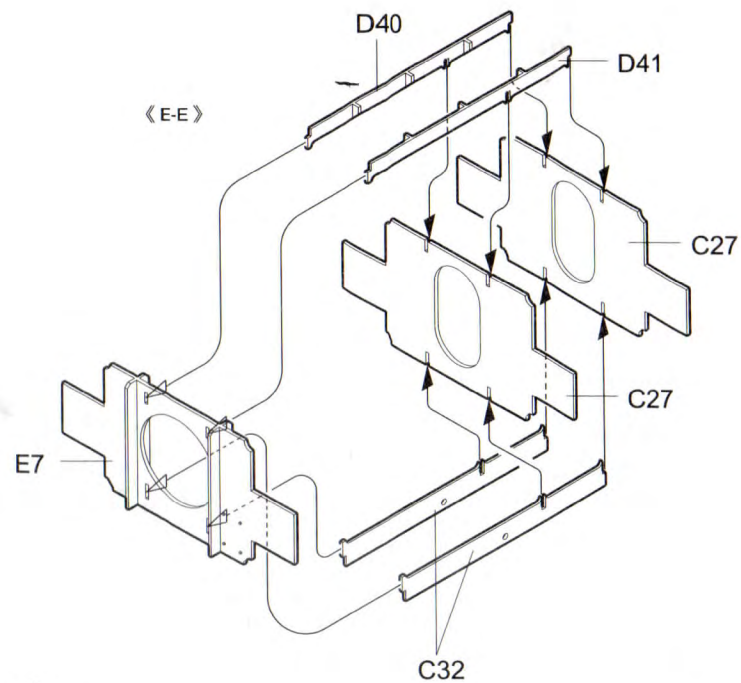
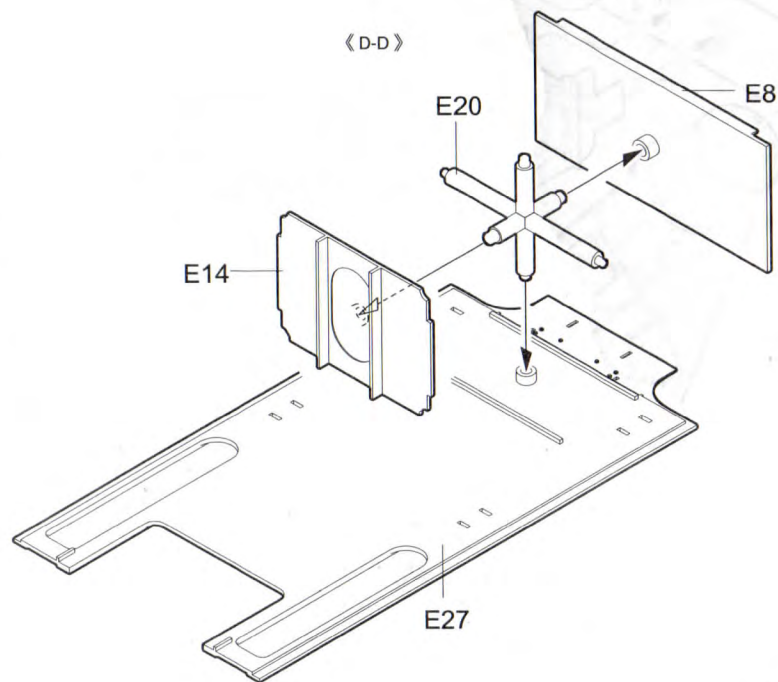
主炮组装
Gun barrel assembly



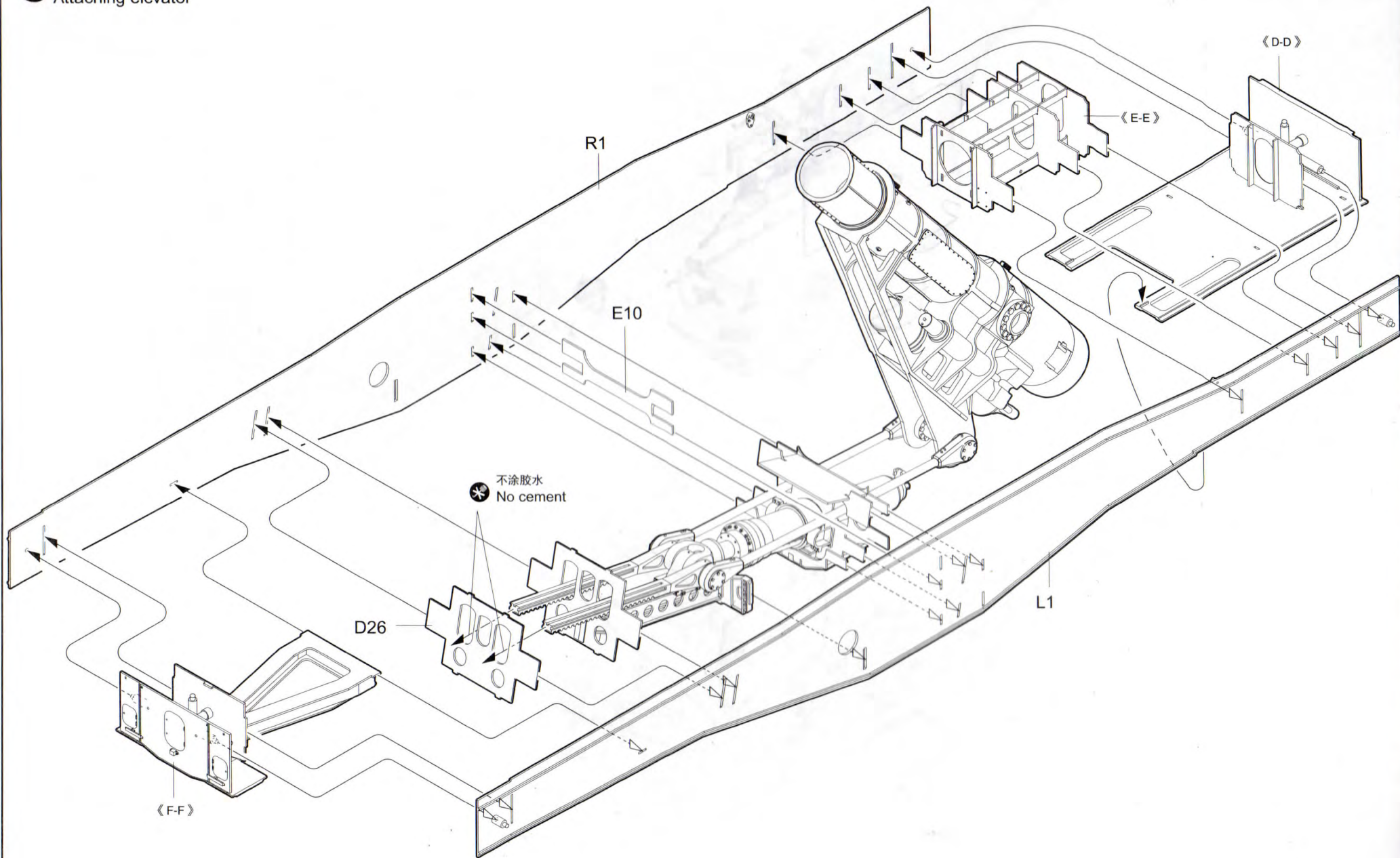
4 升降机组装
Elevator assembly



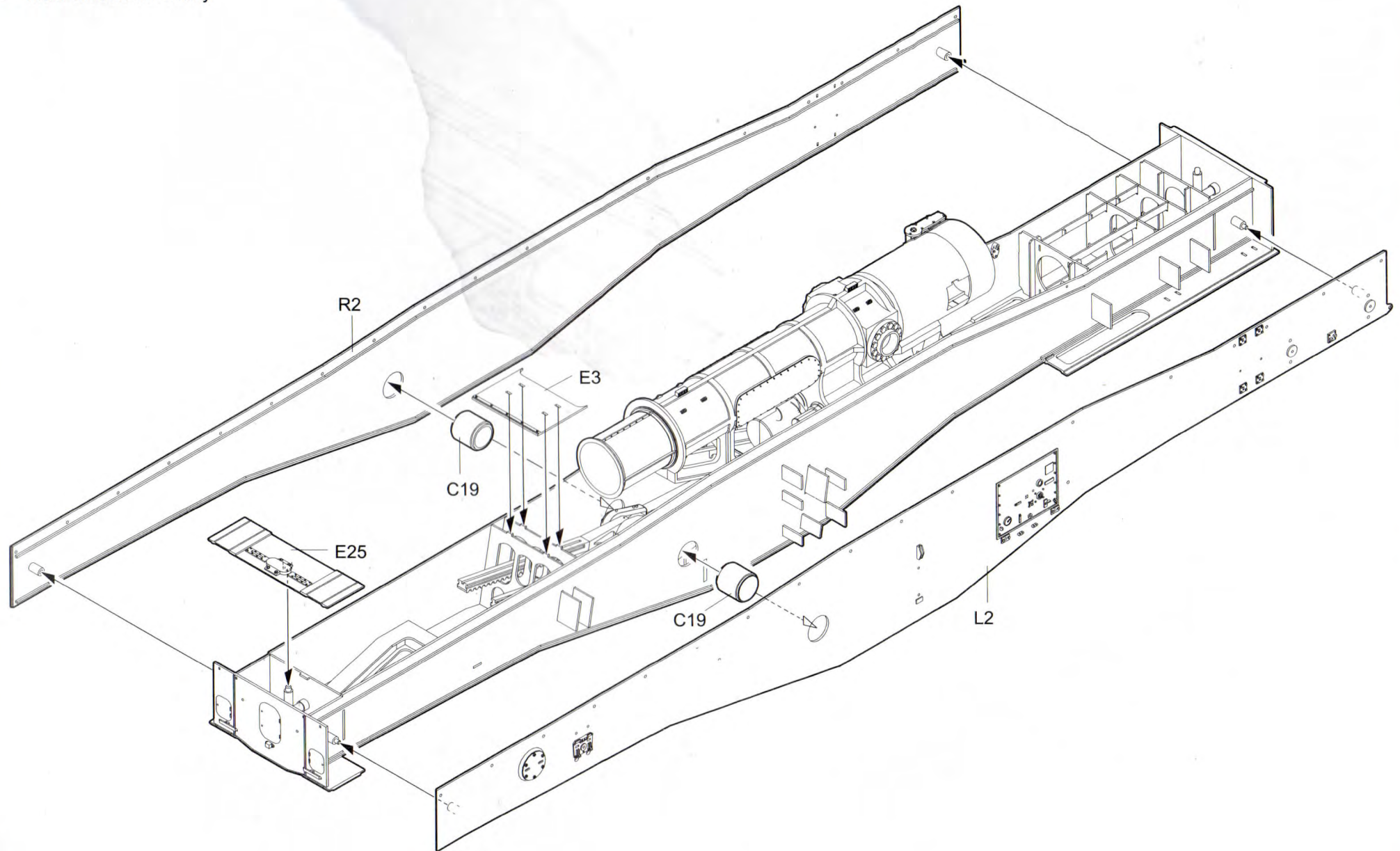
4 炮架组装
Main chassis assembly



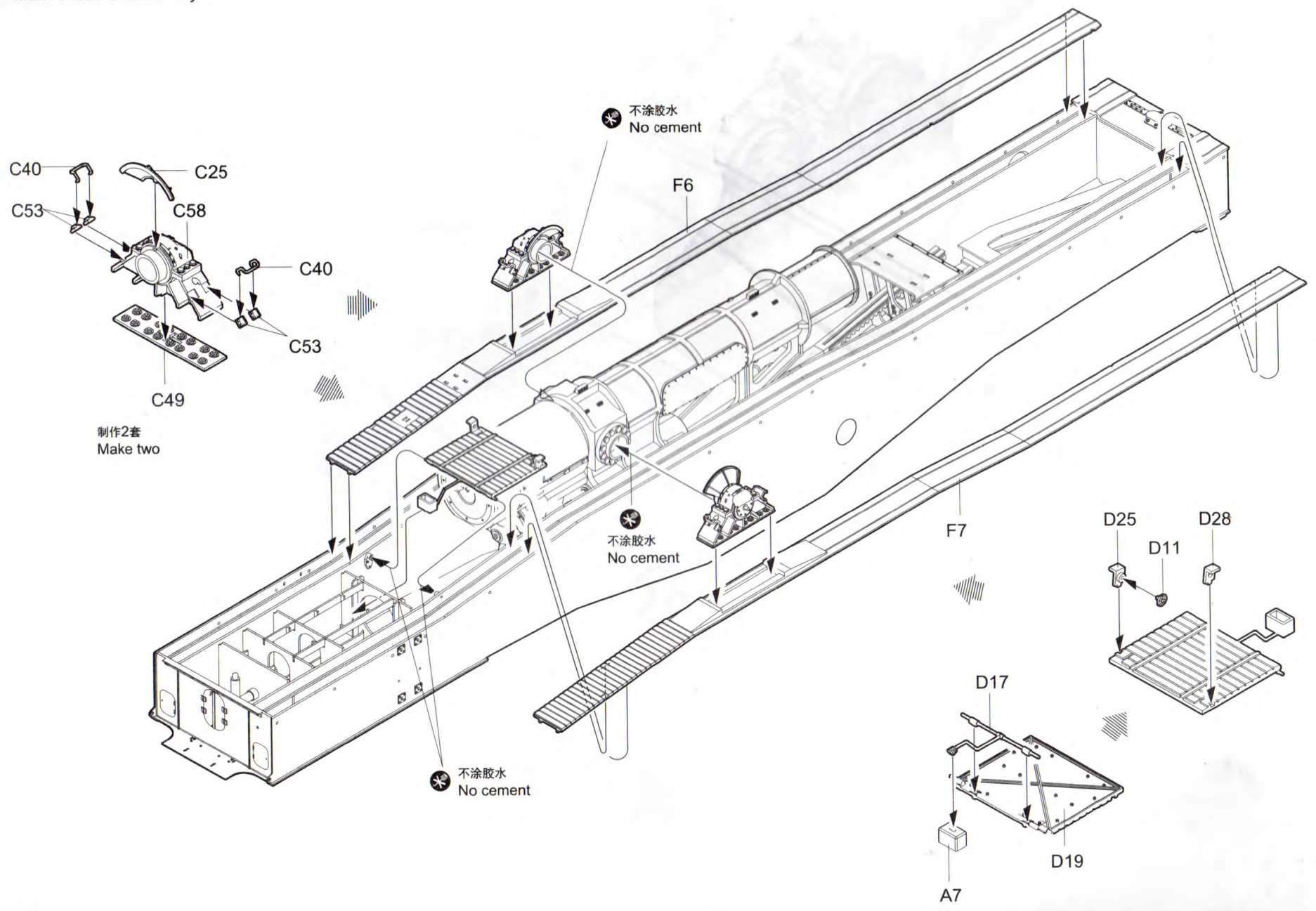
6 升降机安装
Attaching elevator



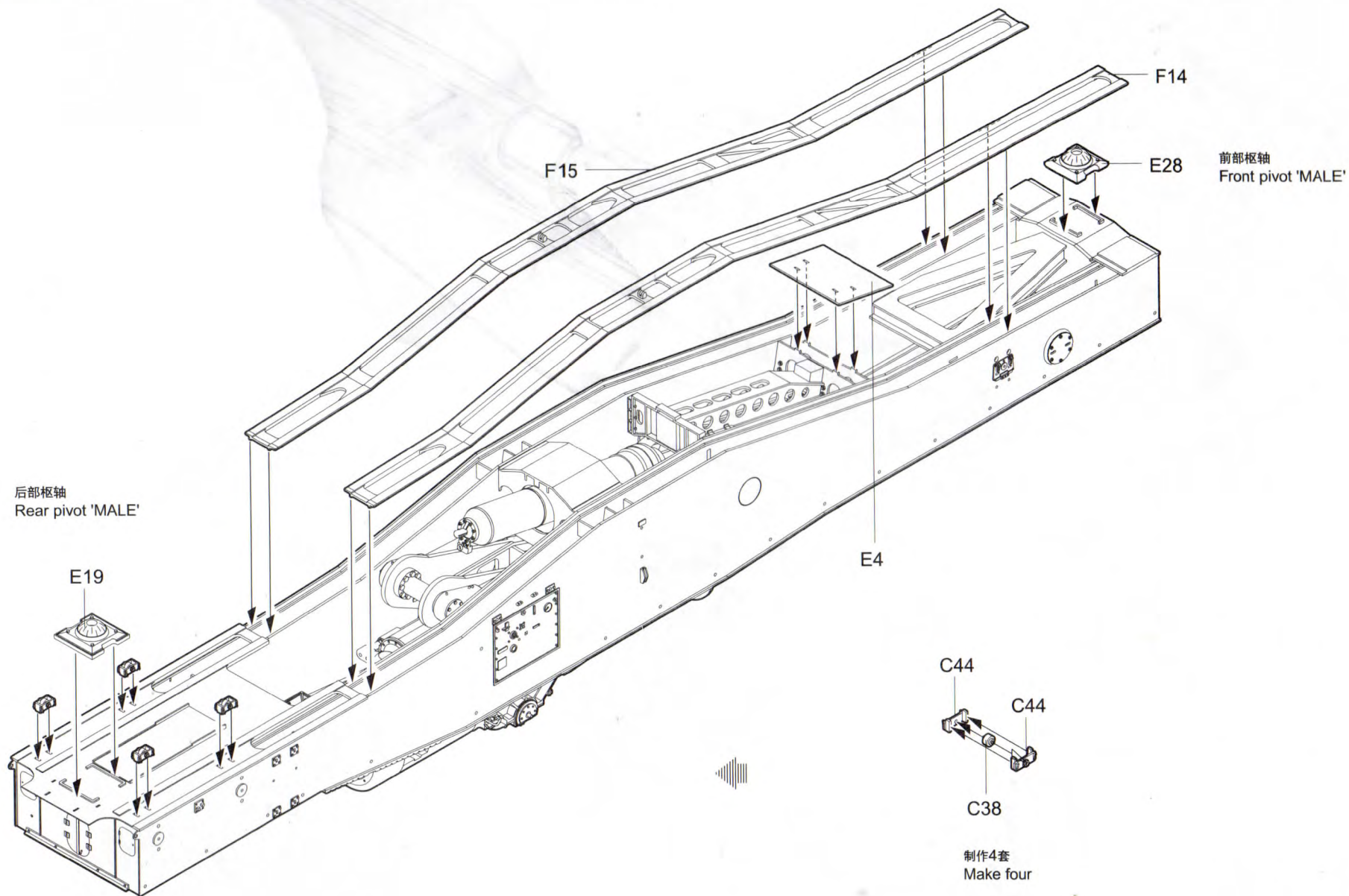
7 炮架组装
Main chassis assembly



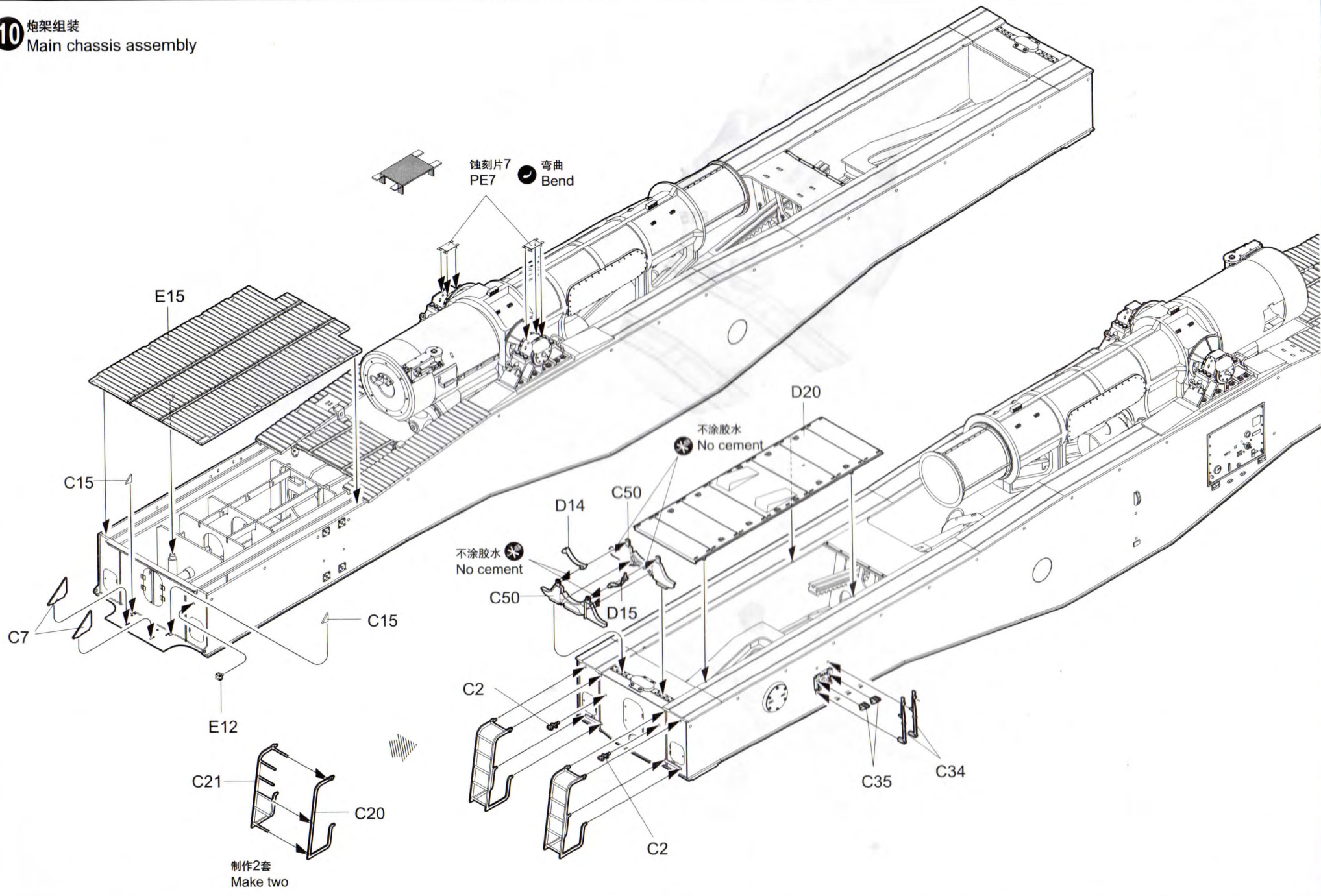
8 炮架组装
Main chassis assembly



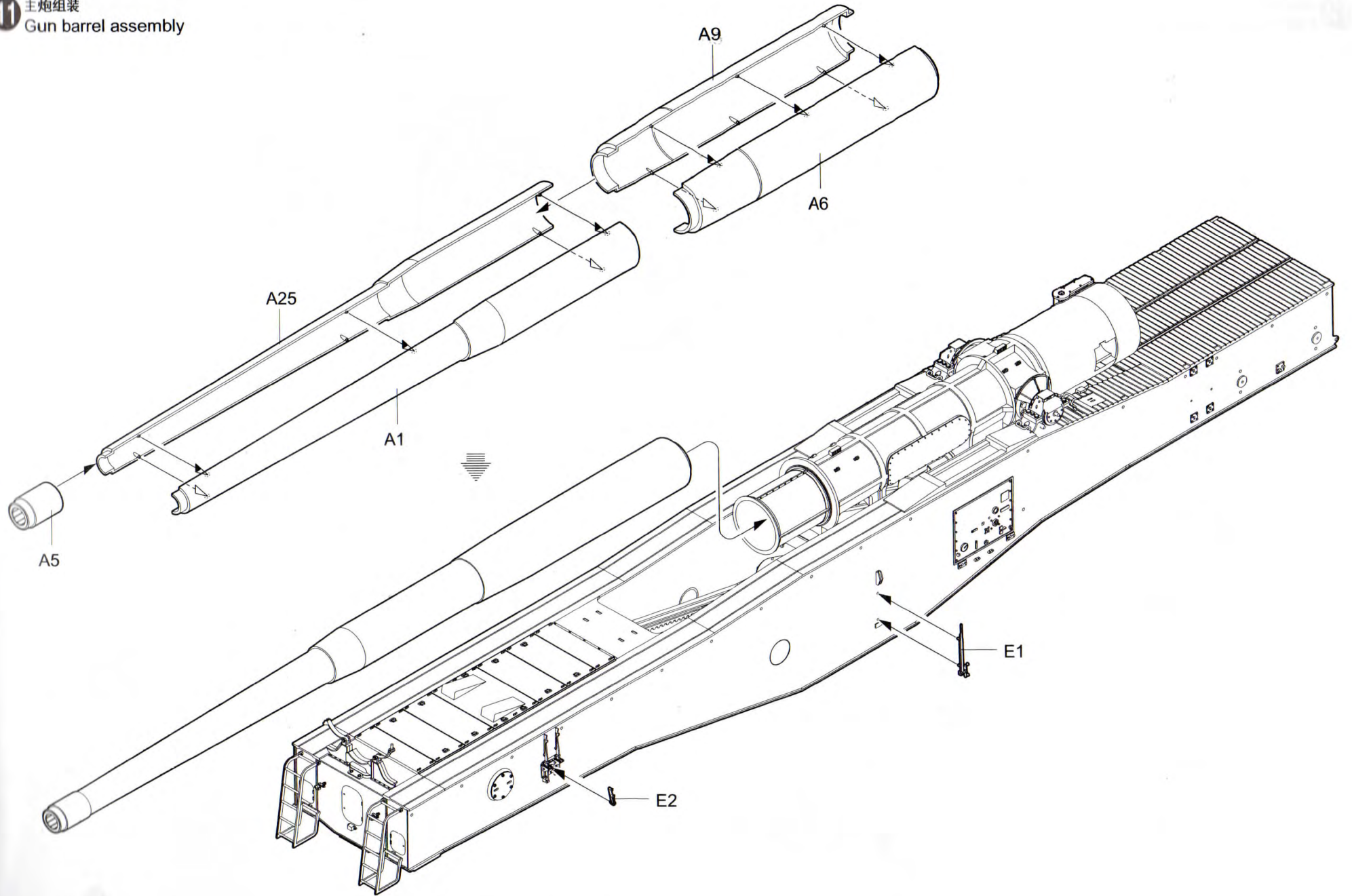
9 炮架组装
Main chassis assembly



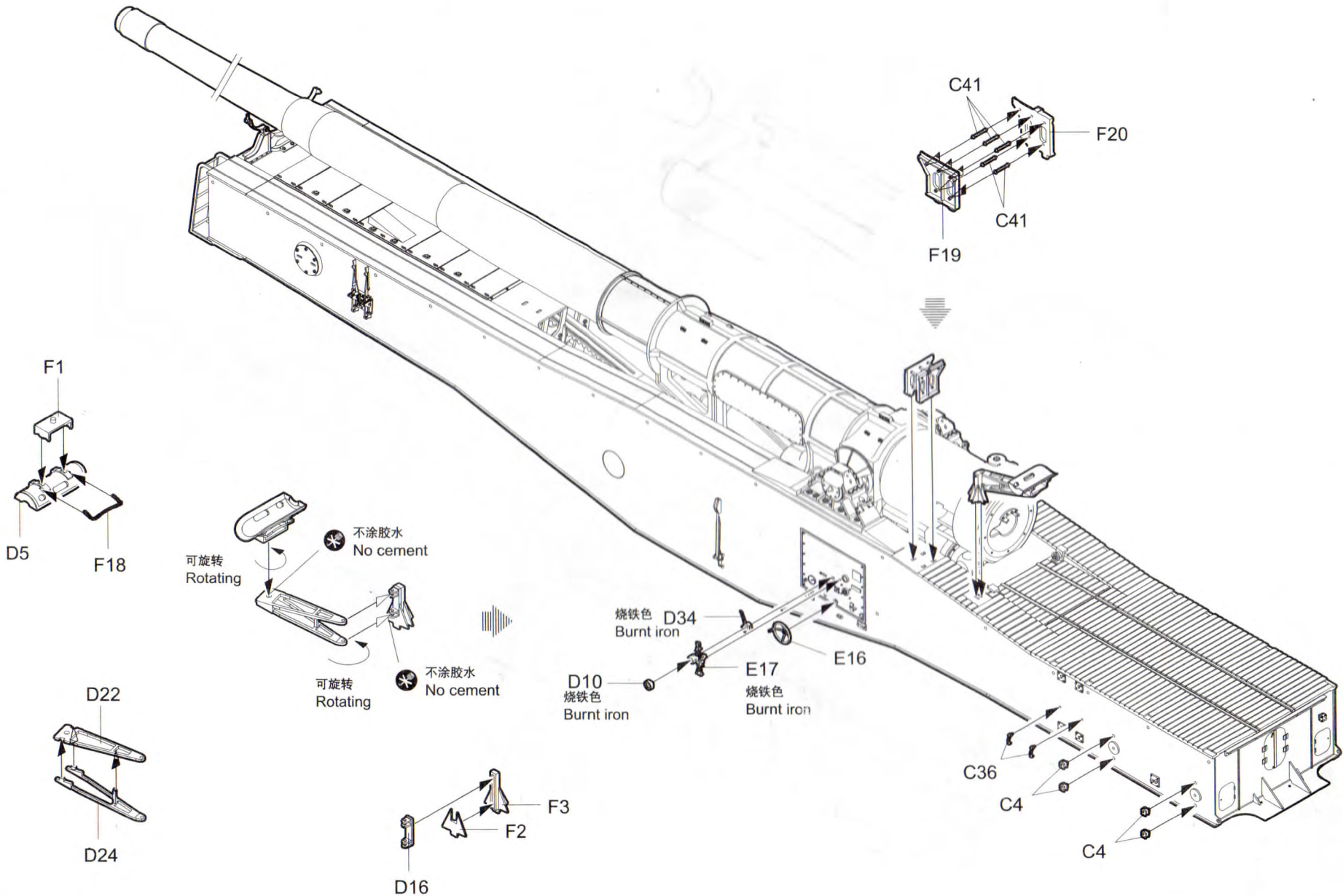
10 炮架组装
Main chassis assembly



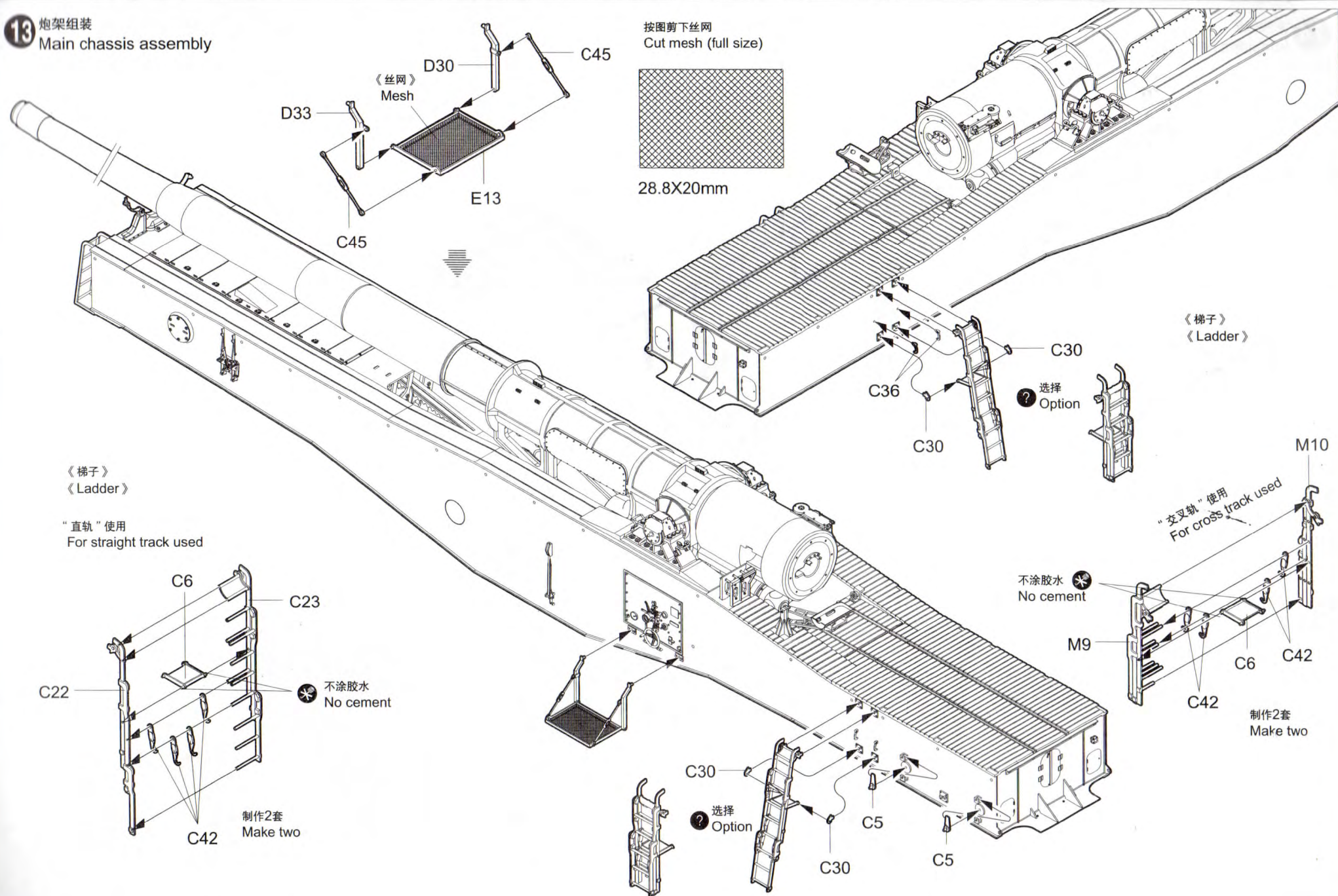
11 主炮组装
Gun barrel assembly



12 炮架组装
Main chassis assembly

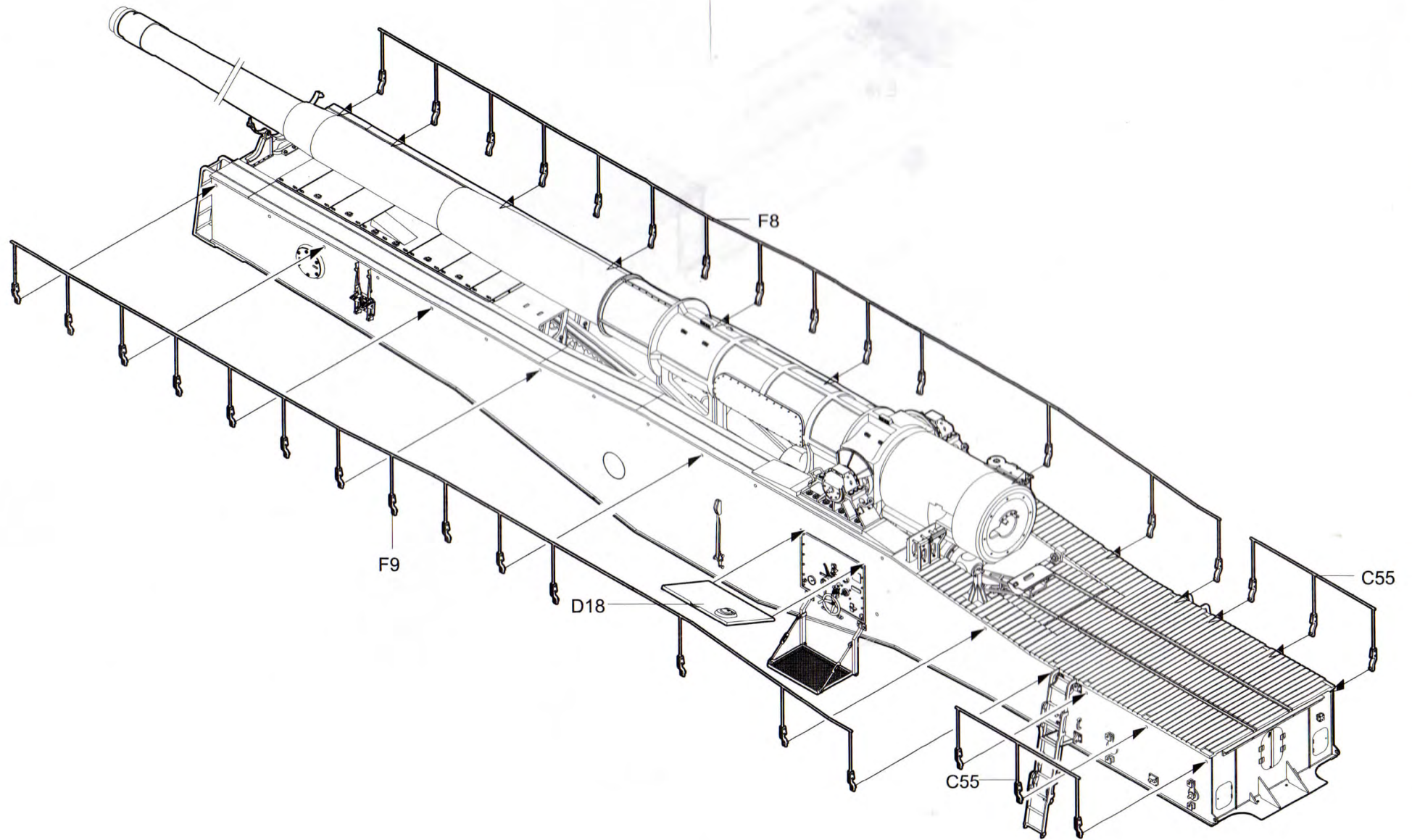


13 炮架组装
Main chassis assembly

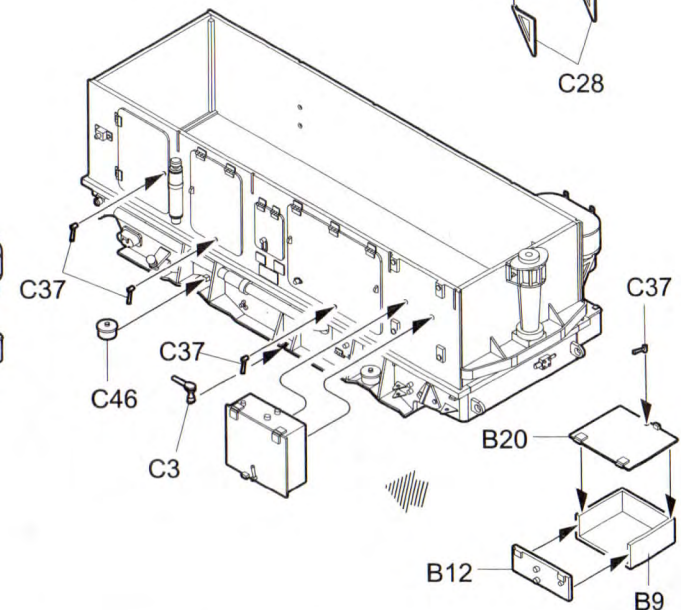
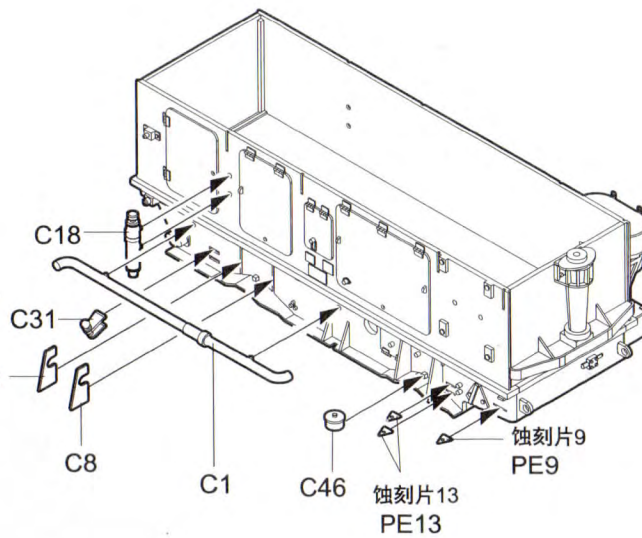
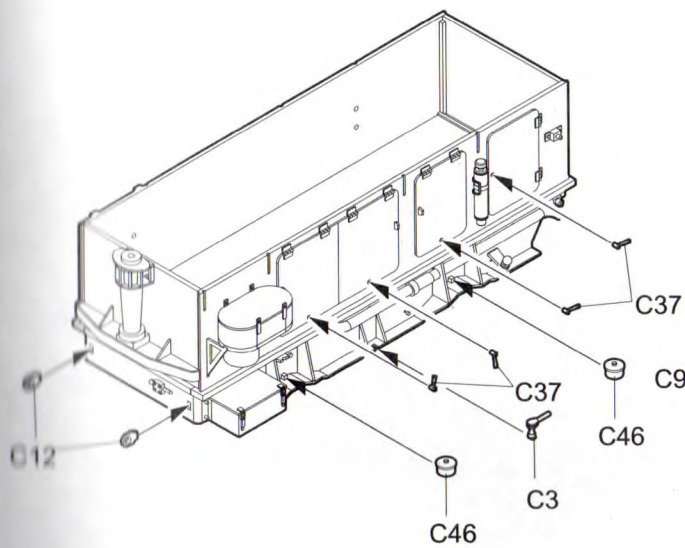
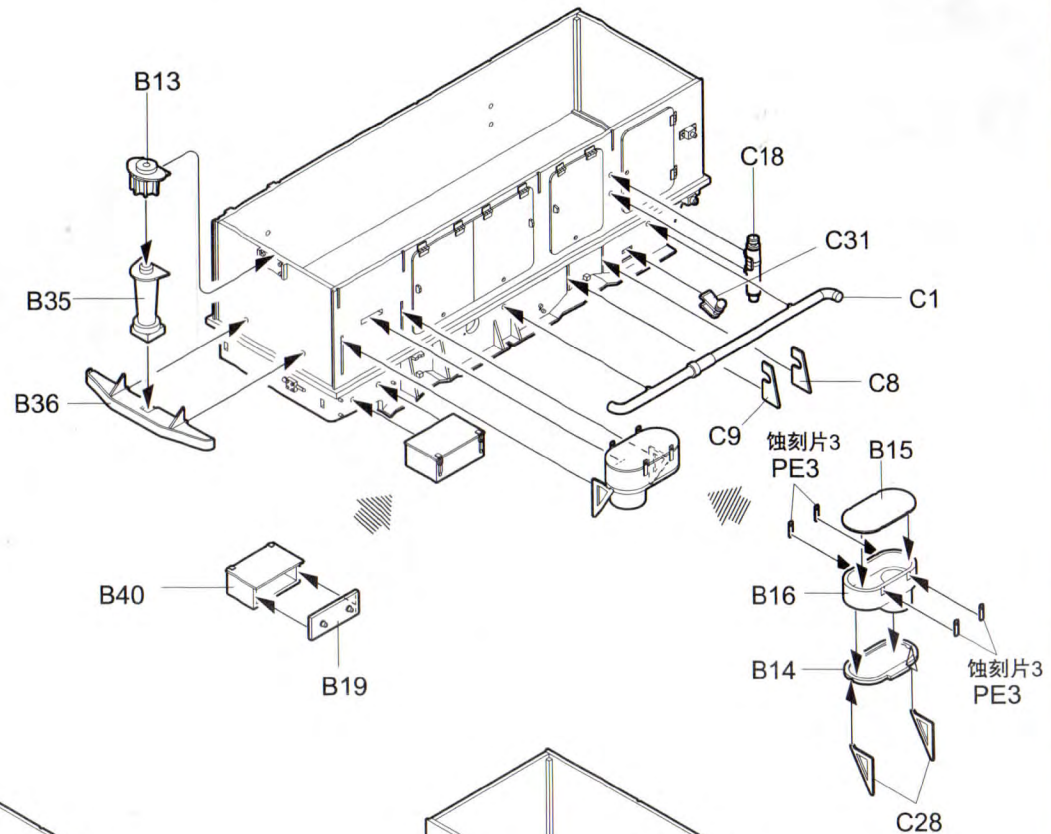
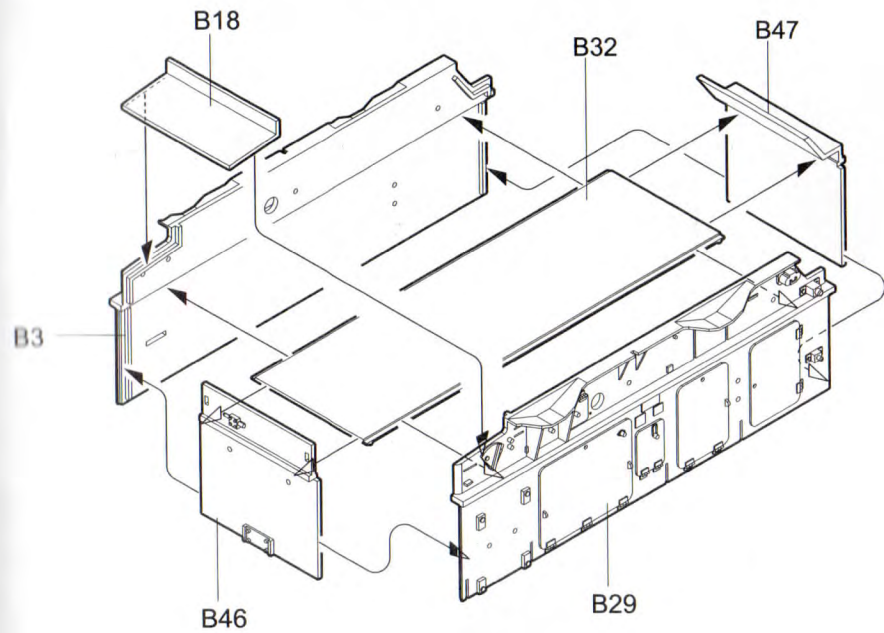


14

扶手安装
Attaching hand rail



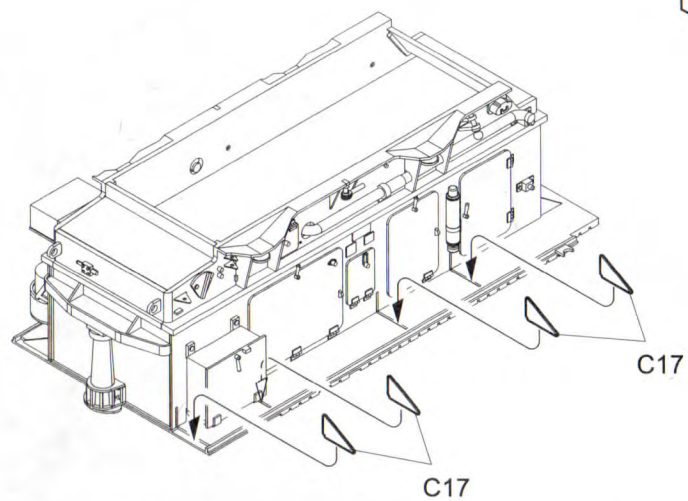
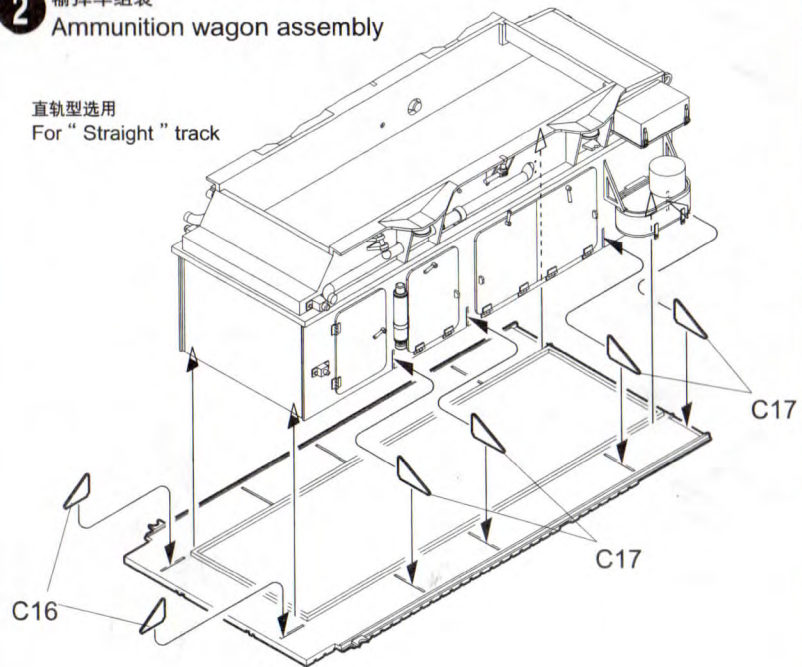
1 输弹车组装
Ammunition wagon assembly



② 选择
option

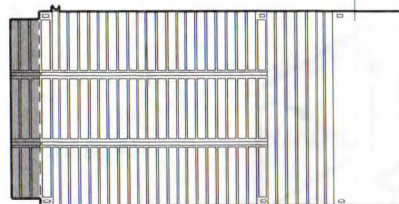
② 输弹车组装
Ammunition wagon assembly

直轨型选用
For "Straight" track



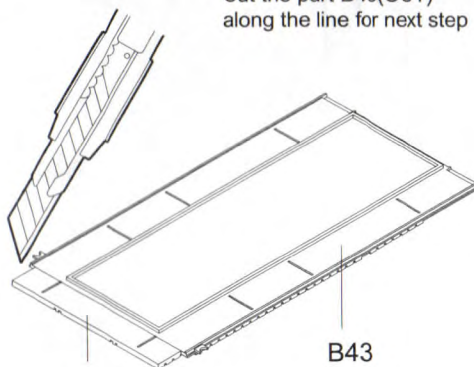
“交叉轨”型选用
For "cross" track

B43



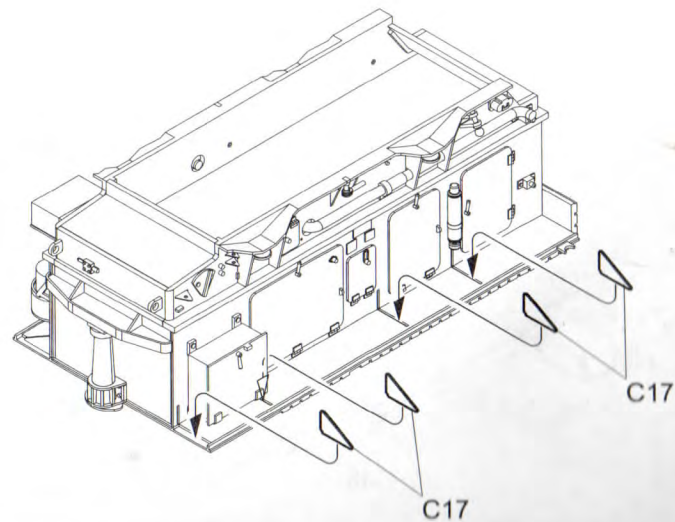
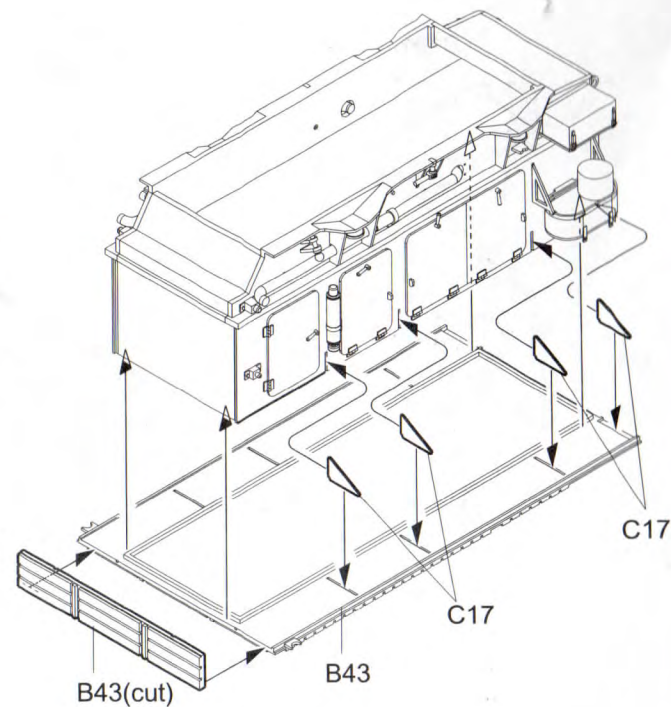
剪切
Cut

沿线切下备用
Cut the part B43(CUT)
along the line for next step

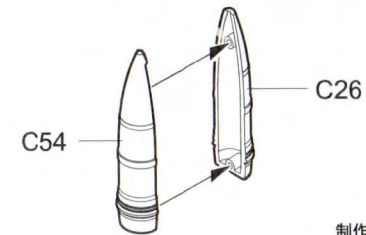
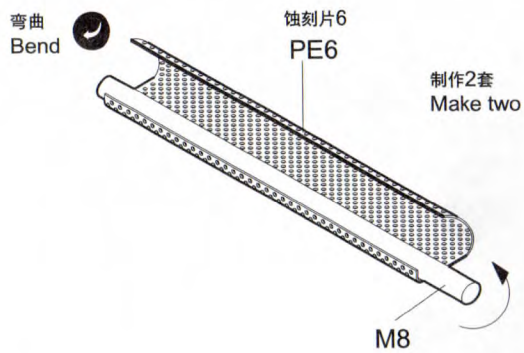


B43(cut)

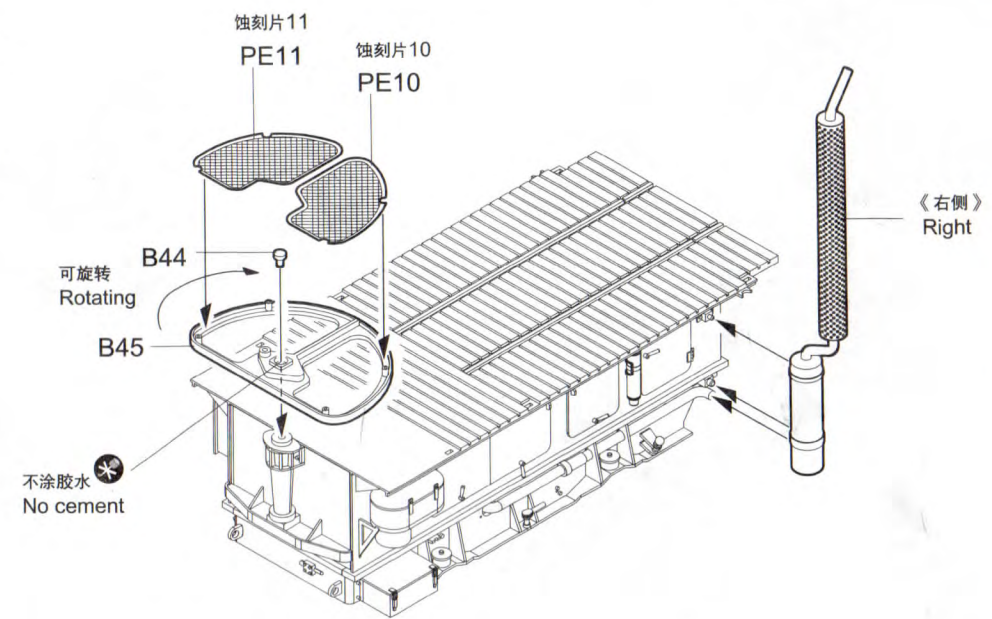
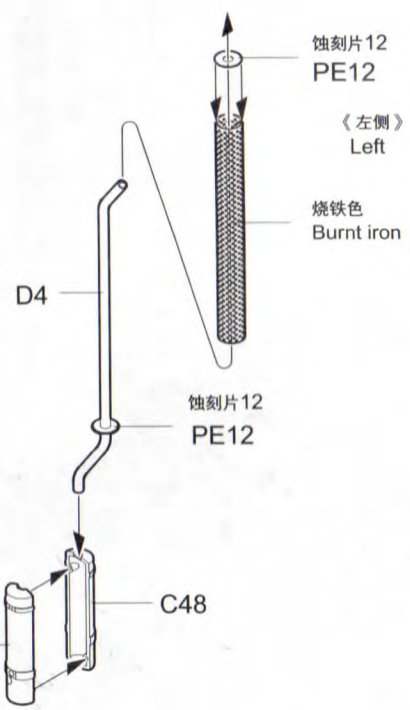
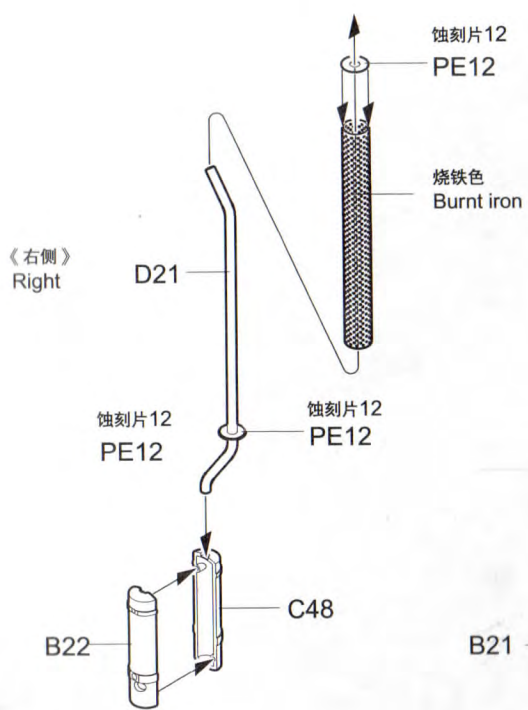
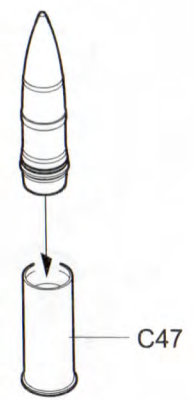
B43



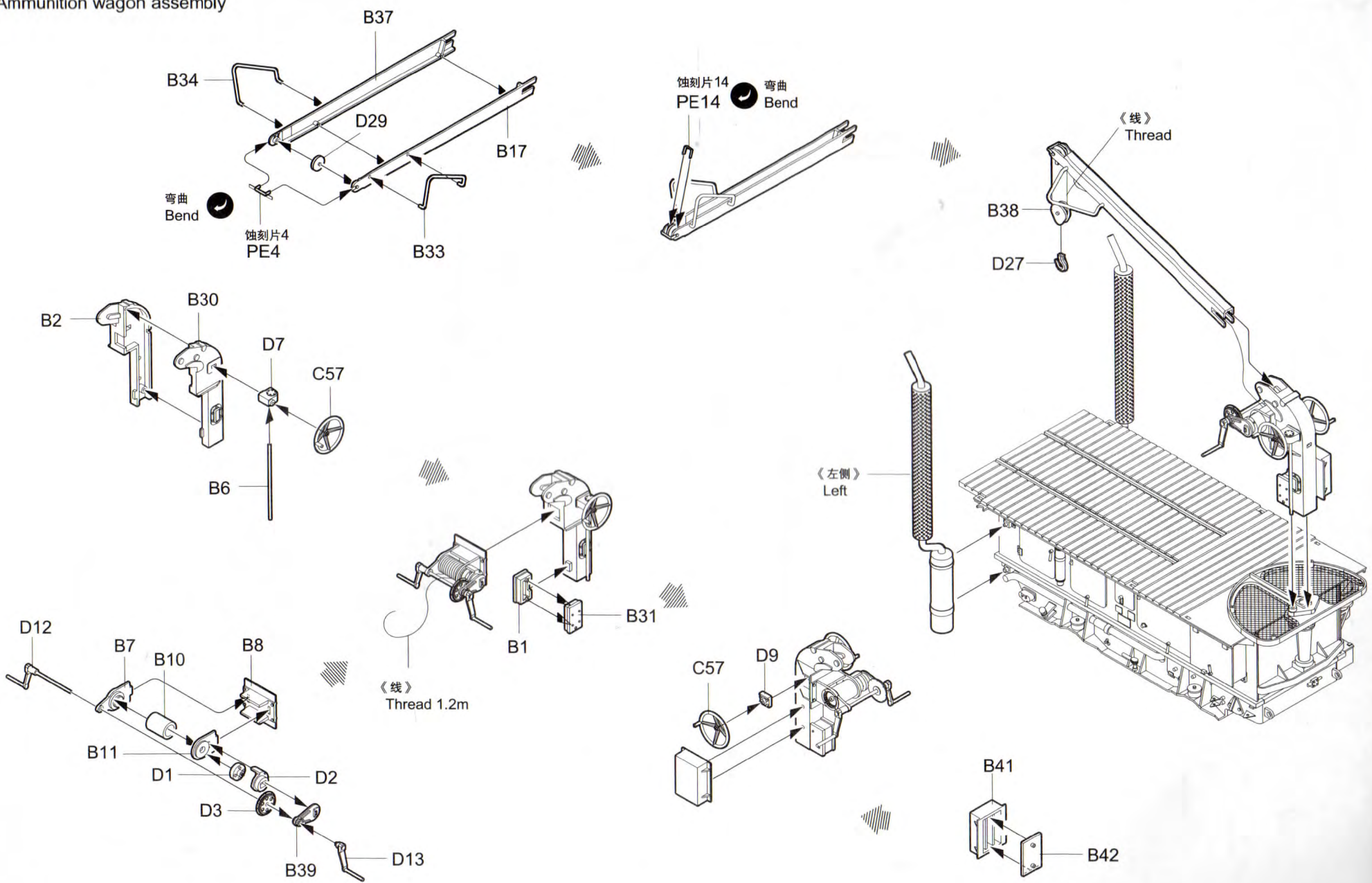
3 输弹车组装
Ammunition wagon assembly



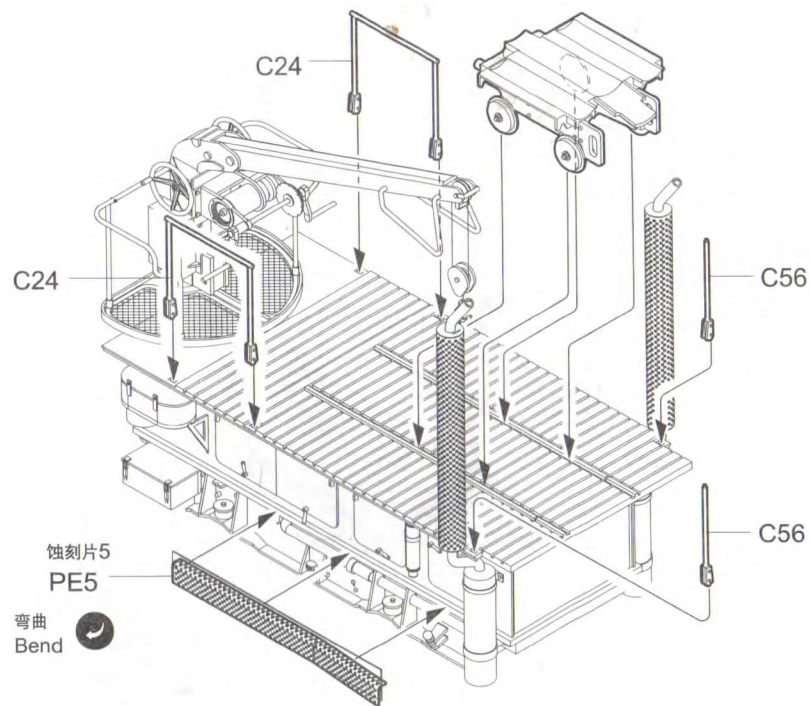
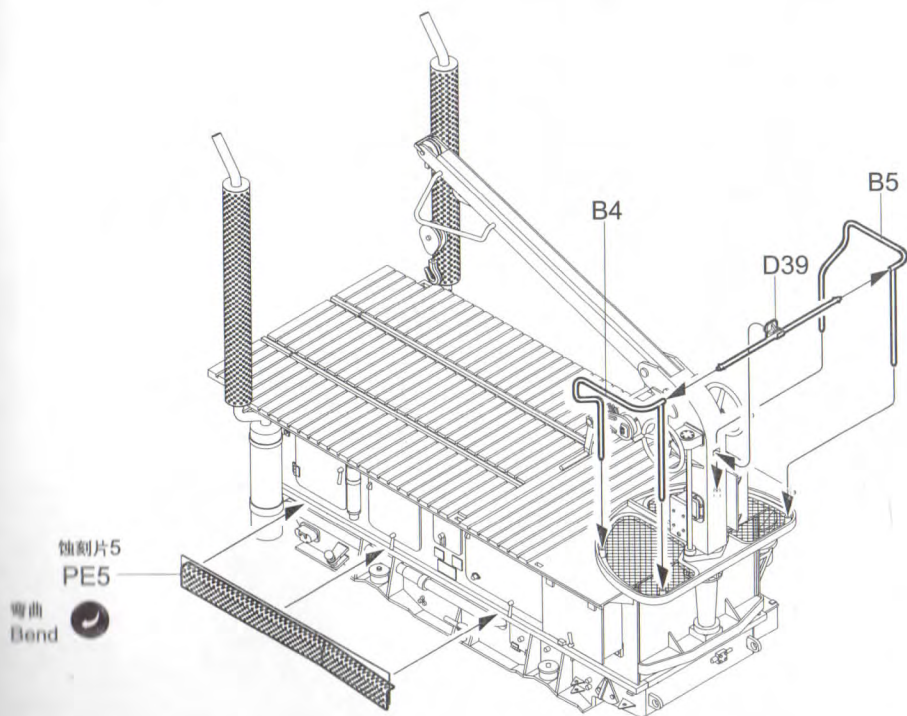
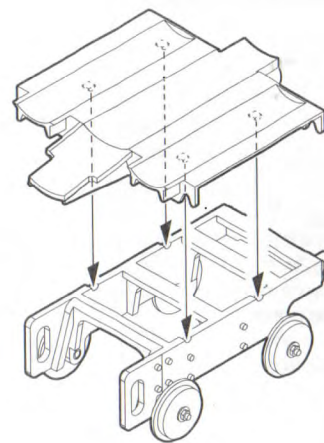
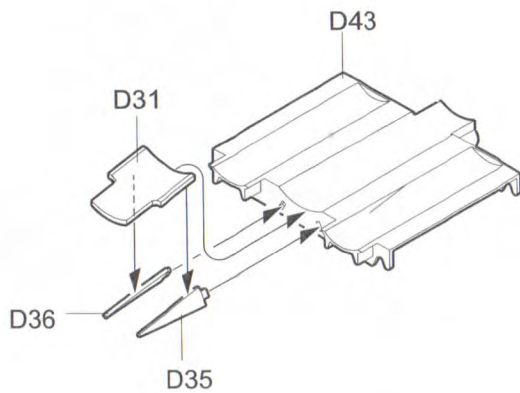
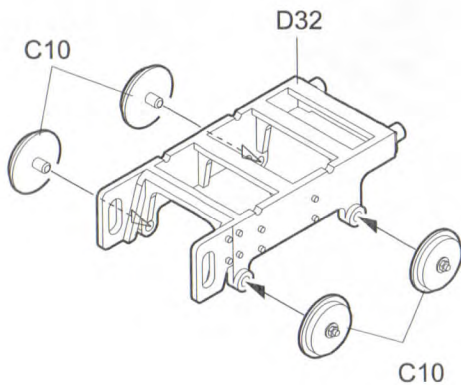
制作2套 Make two



4 输弹车组装
Ammunition wagon assembly

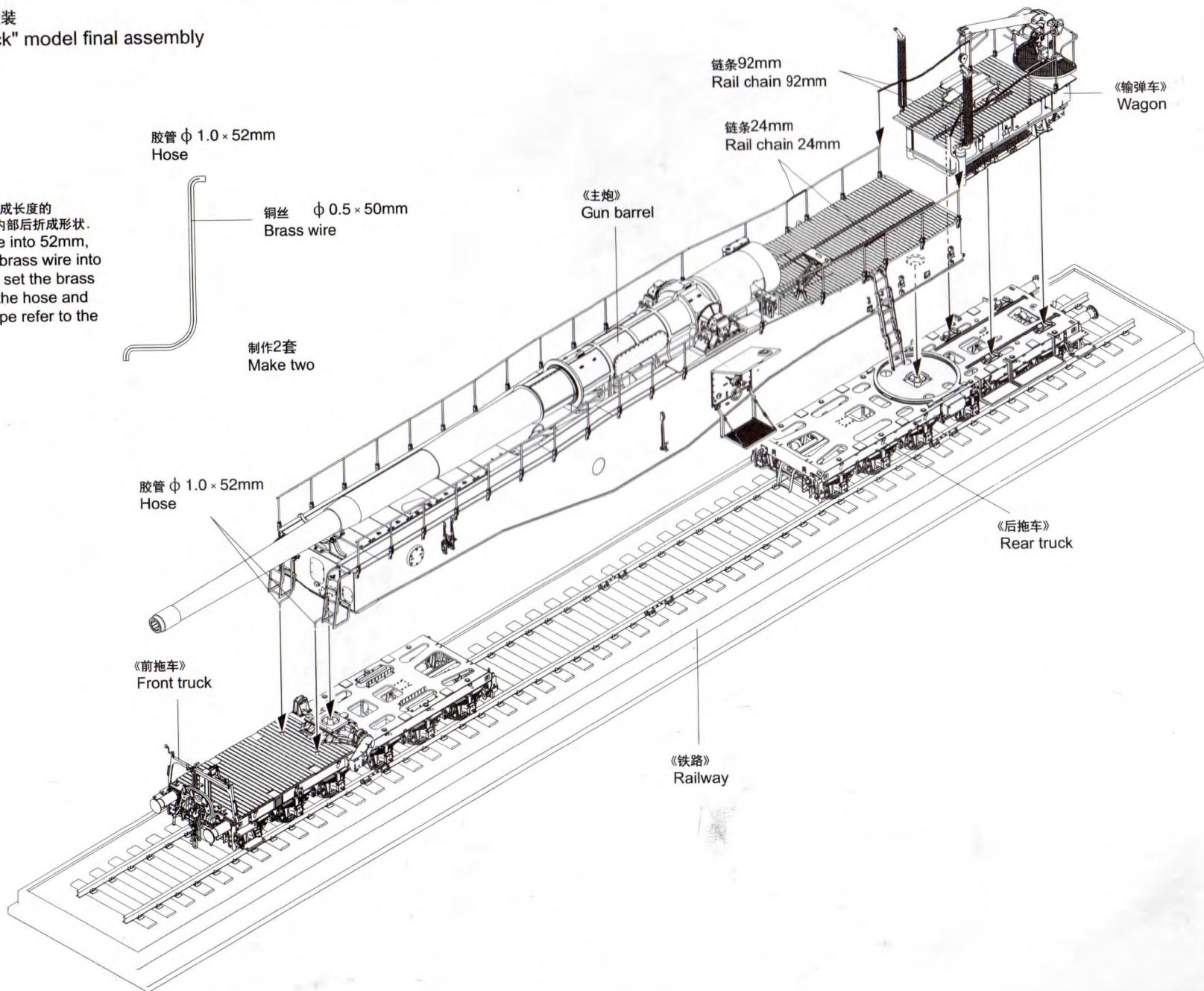


5 输弹车组装
Shell truck assembly

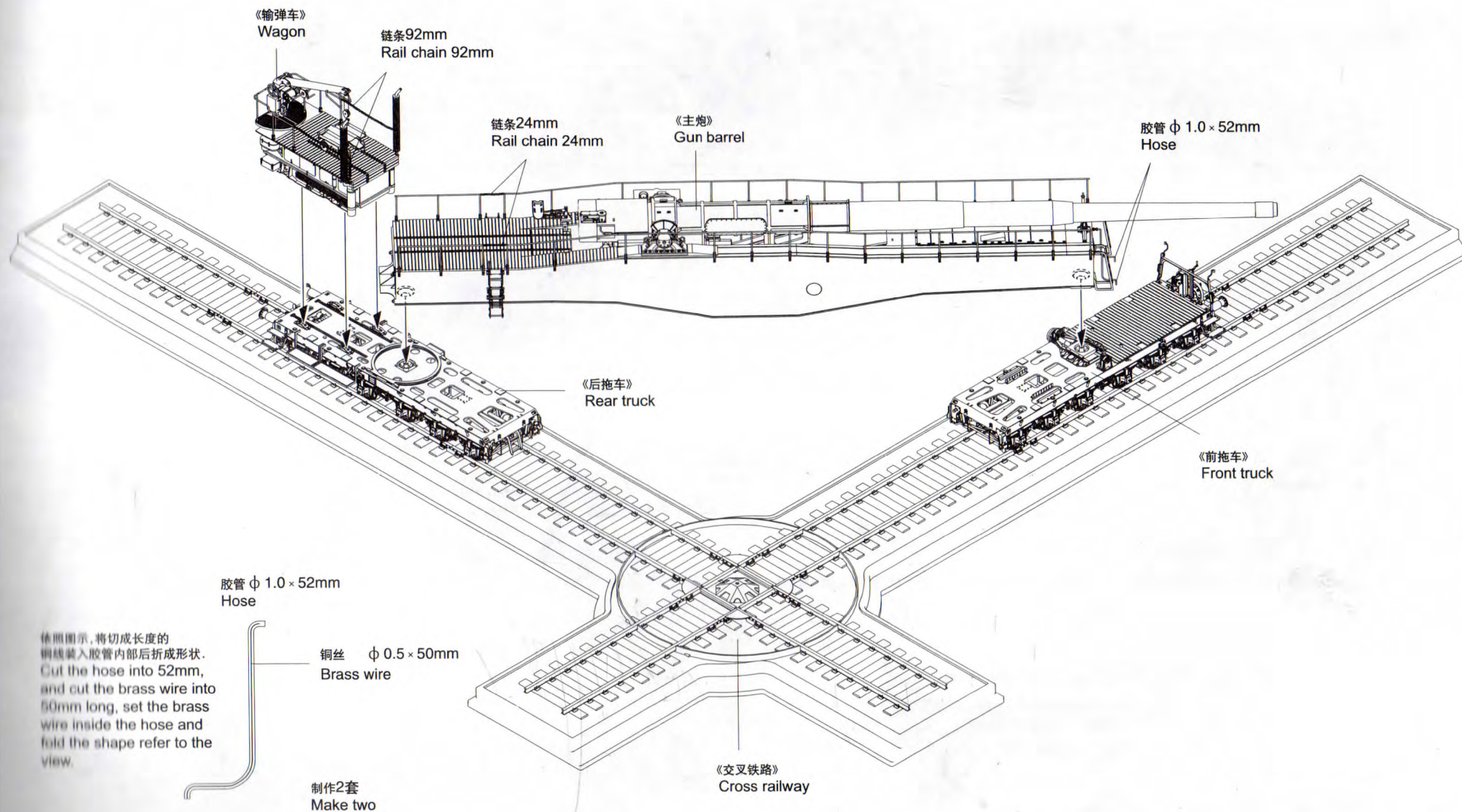


"直轨"型路轨组装
 "Straight track" model final assembly

依照图示, 将切成长度的
 铜线装入胶管内部后折成形状。
 Cut the hose into 52mm,
 and cut the brass wire into
 50mm long, set the brass
 wire inside the hose and
 fold the shape refer to the
 view.



“交叉”型路轨组装
 "Cross track" model final assembly

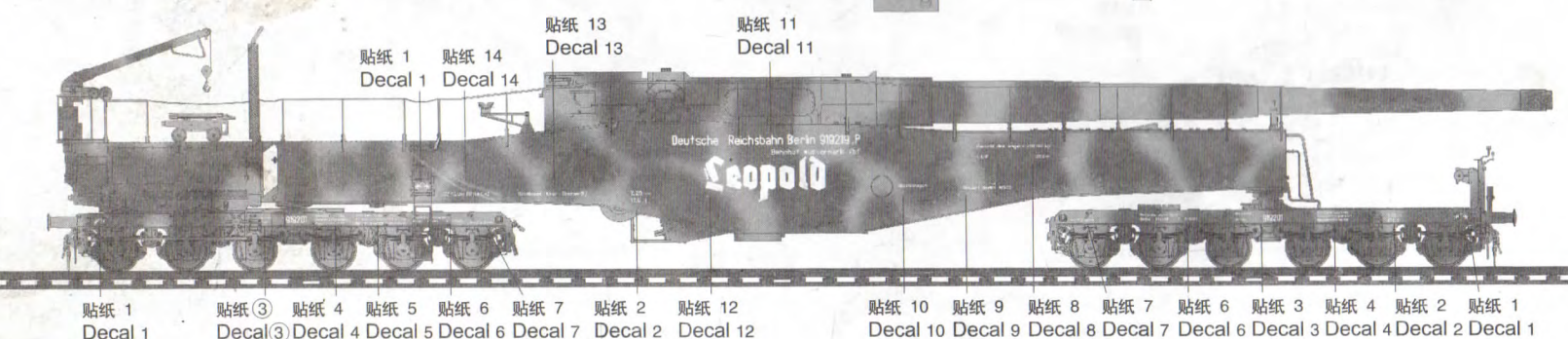
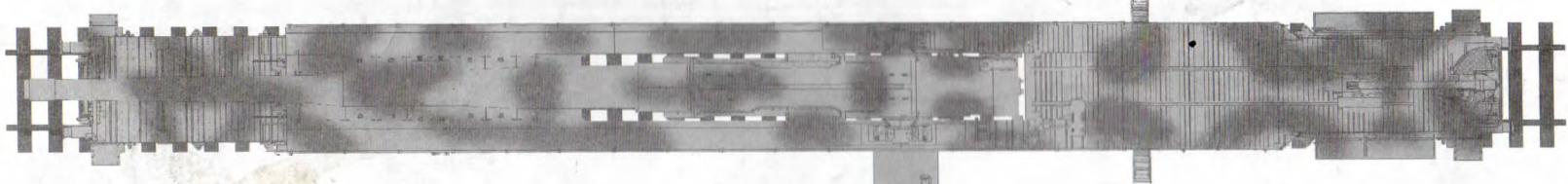
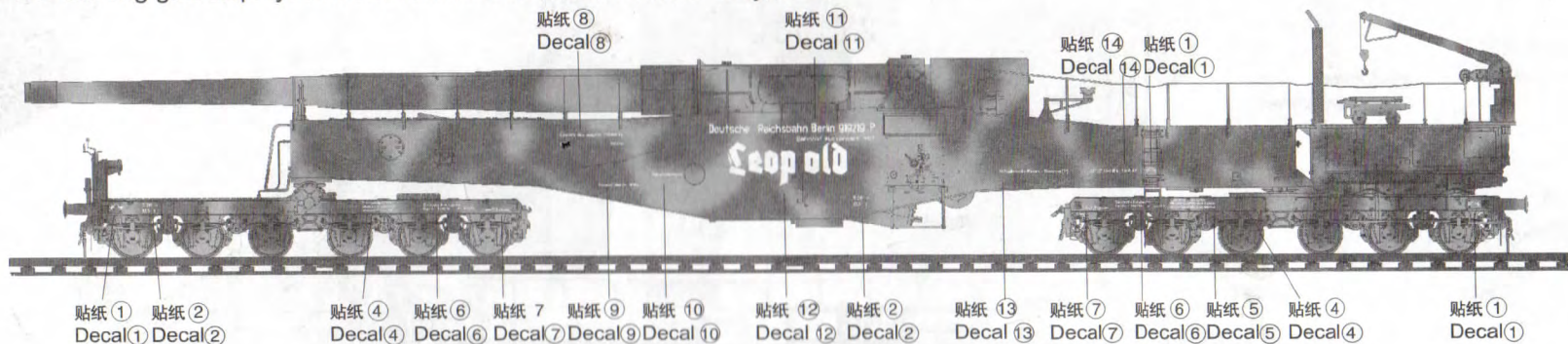


涂装同标贴指示
Painting & Marking guide

Testors MM Rolly Scale Gunze Sangyo

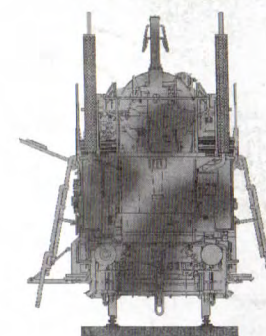
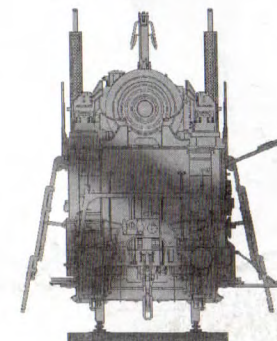
RAL 7021(F)	MM 2094	505110	H-32 40
Panzer Dunbeigelb 1943(F)	MM 2095	505111	H-79 39
RAL 8017	MM 2096	505112	H-47 41
			H-76 61
			H-10 10

1 The existing gun displayed in USA at Aberdeen/"Anzio Annie" Italy, 1944



Dark Yellow
深黄色

Red brown
红棕色



2 Eisb. batter. 710 Calais/France 1941 : Panzer grey overall



Germany gray
德国灰