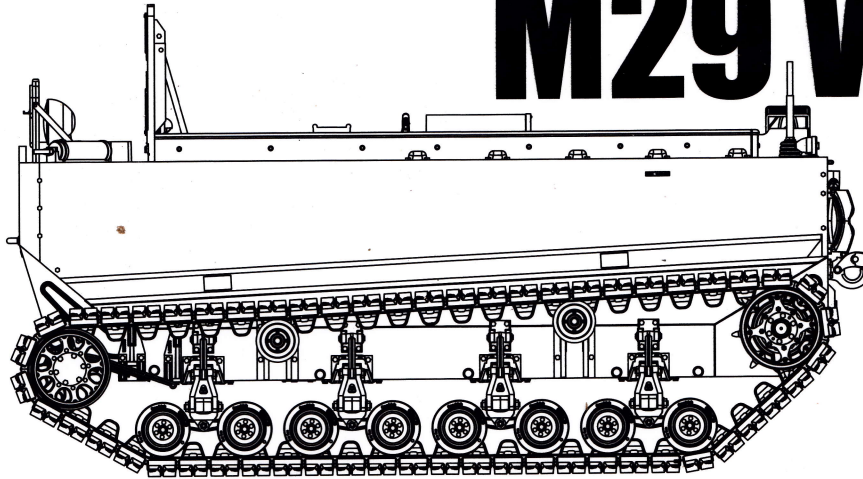


# M29 WEASEL



In 1942, a somewhat eccentric British-born inventor by the name of Geoffrey Pyke was working on a design for a vehicle intended for use by troops operating in deep snow conditions, such as those encountered in Norway, which was under German occupation at that time. The automotive system involved using two large helix screws operating in counter-rotating directions to propel the box-shaped vehicle over the snow. It was a complex design and, although a prototype vehicle was prepared for trials, the idea did not progress any further.

The concept of Pyke's vehicle came to the attention of the design team of the Studebaker Corporation, based in South Bend, Indiana. The trials involving Pyke's strange vehicle had proved the vehicle capable of travelling over snow, but its unconventional method of propulsion was complicated and impractical for use in battle conditions. It was decided to pursue the idea, but as a conventional tracked vehicle. Studebaker was awarded the contract to develop the idea further to produce a vehicle for the military, despite the fact the company had no experience in tracked vehicle production.

The result was known as the 'T15' Weasel, later to be termed the M28 Cargo Carrier. It was fitted with 15 inch wide French-designed "Kegresse-type" caterpillar tracks manufactured from rubber to which were attached metal plates, producing a ground pressure of 2.1 psi, which made the M28 an ideal all-terrain vehicle capable of operating over snow, swamp, and sand. The engine was mounted in the rear and the front wheel served as the drive sprocket for the tracks. The open-topped vehicle was fitted with two sets of well-spaced double-wheeled bogies and two return rollers to support the track. Studebaker produced more than 1,000 M28 Weasels before changing the design and introducing a range of modifications that completely changed the vehicle's appearance and greatly improved its overall performance.

These design changes were implemented in 1943 and created the T24, which became known as the M29 Weasel. It remained an open-topped, unarmored design and still operated in its intended primary role as a light cargo carrier but would go on to be developed into three versions from which armed types would be produced. The changes produced a completely different design, changing the roadwheel layout to four sets of double bogeys. The two return rollers were retained, and the width of the tracks was extended to 20 inches, which lowered the ground weight to less than 2 psi. The drive sprocket was transferred to the rear and the engine moved to the front, offset to the right with the driver's position on the left. This improved handling and made it easier to negotiate riverbanks when operating inland waterways including canals and flooded areas. The space created in the rear allowed three seats to be installed for passengers or radio equipment to be fitted.

# READ BEFORE ASSEMBLY

## CAUTION

- Read carefully and fully understand the instructions before commencing assembly. A supervising adult should also read the instructions if a child assembles the model.
- When assembling this kit, tools including knives used. Extra care should be taken to avoid personal injury.
- Keep out of reach of small children. Children must not be allowed to suck any part, or pull vinyl bag over their heads.



Be Careful



Optional



Instant Glue for Metal

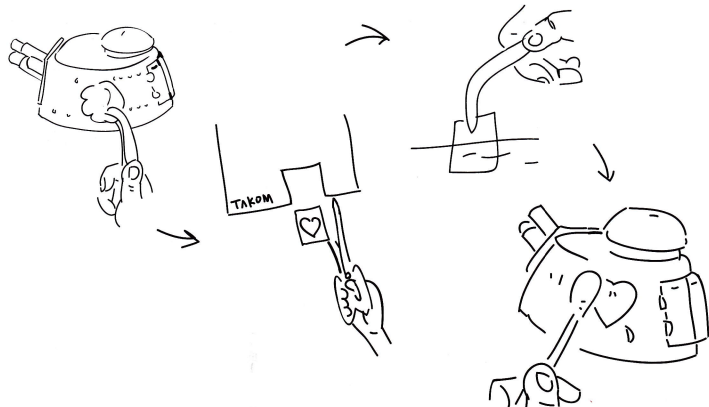
## PAINTS REQUIRED

Color info and profiles by Mig Jimenez

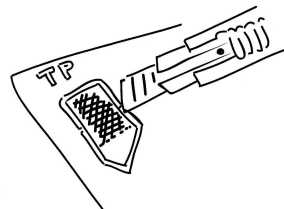
A.MIG-0033	Rubber & Tires	A.MIG-0035	Dark Tracks	A.MIG-0037	New Wood	A.MIG-0045	Gun Metal
A.MIG-0094	Crystal Glass	A.MIG-0099	Crystal Black Blue	A.MIG-0195	Silver	A.MIG-0926	Olive Drab Base Base
A.MIG-0024	Washable White Camo	A.MIG-0036	Old Wood	A.MIG-0038	Light Wood	A.MIG-0096	Crystal Periscope Green

## APPLYING DECALS

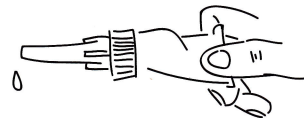
1. Clean the model surface with a wet cloth.
2. Cut out each decal design from sheet, and dip it in tepid water for 15~20 sec.
3. Hold the backing sheet edge and slide decal onto the model.
4. Move decal into position by wetting decal with finger.
5. Press decal gently down with a soft cloth until excess water and air bubbles are gone.



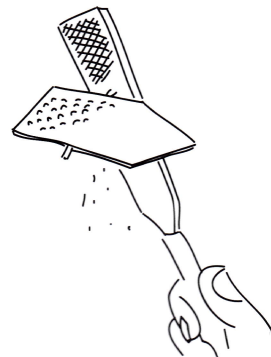
## REMOVING PE



Be careful not to hurt when removing PE parts.

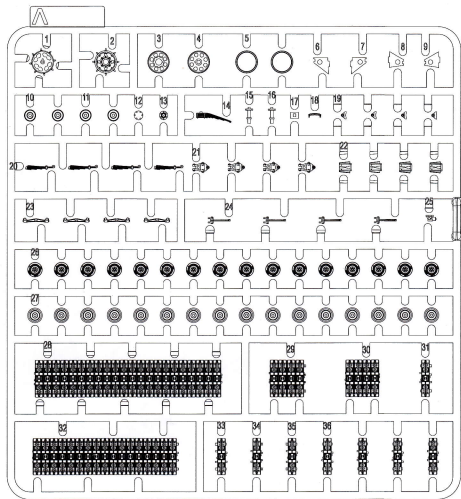


Secure using instant glue (not included).

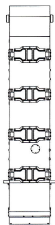
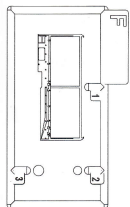


Finish using file.

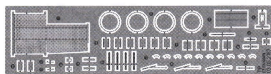
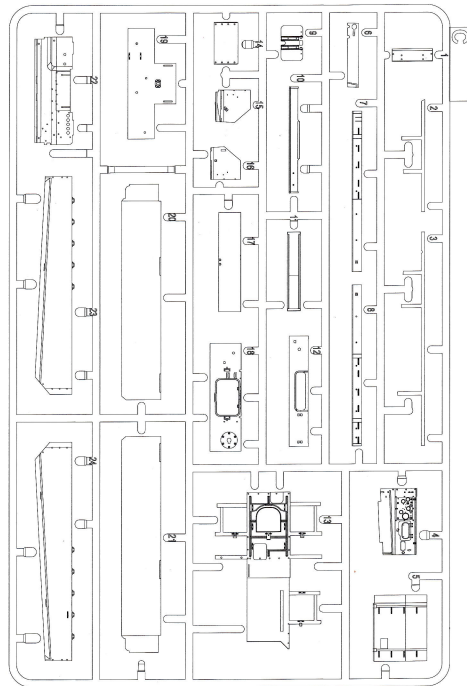
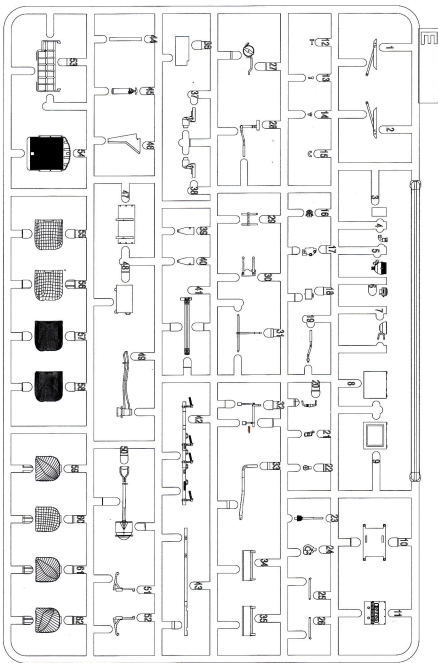
# PARTS



X2



B

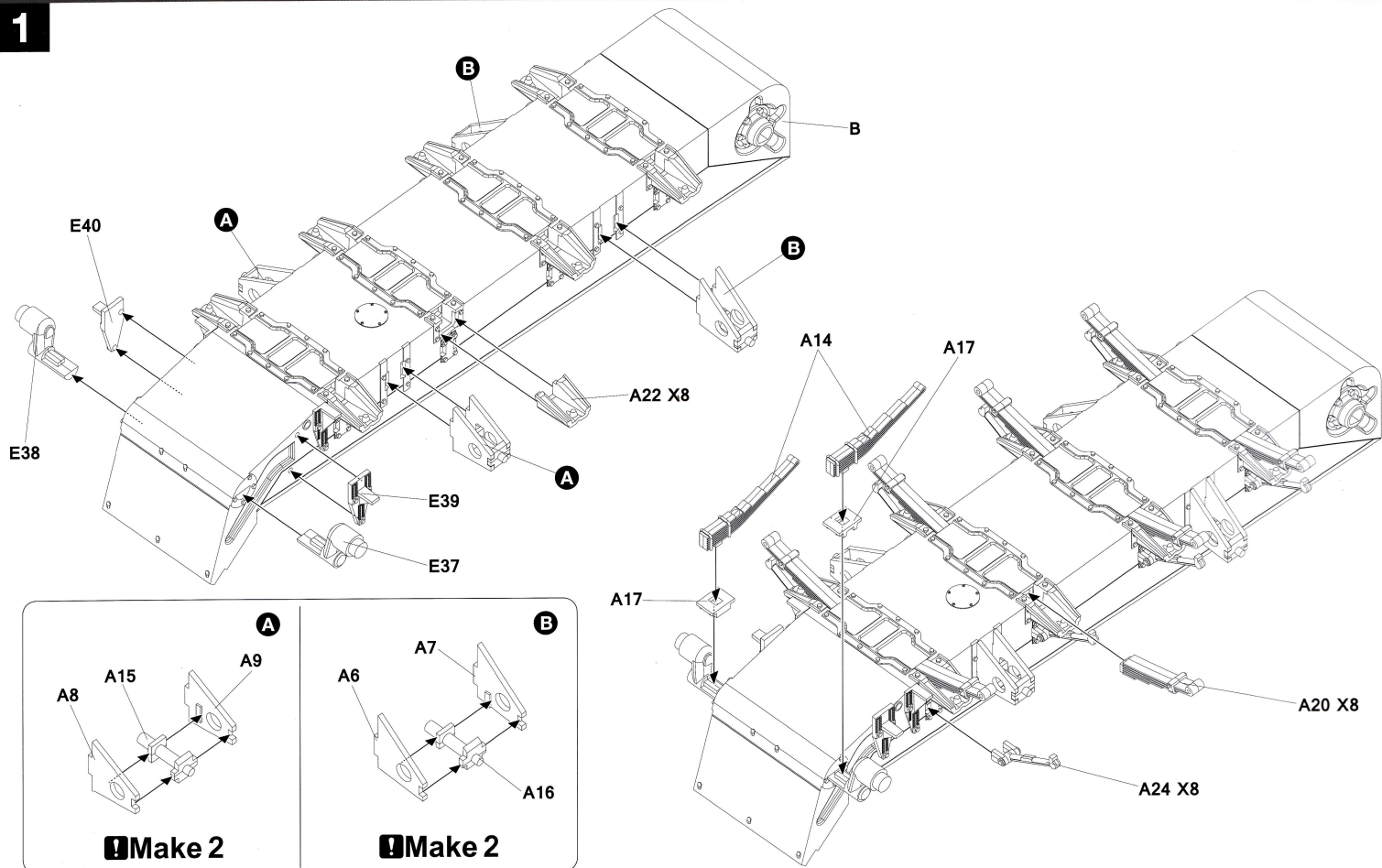


TP

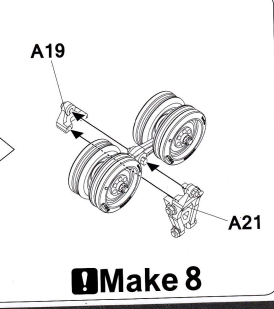
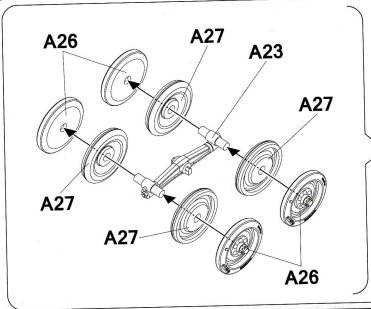
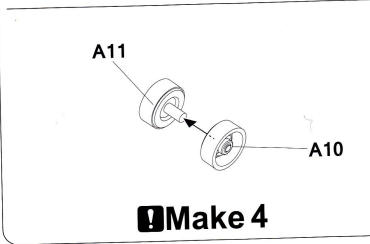
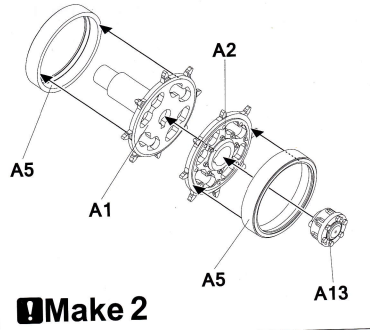
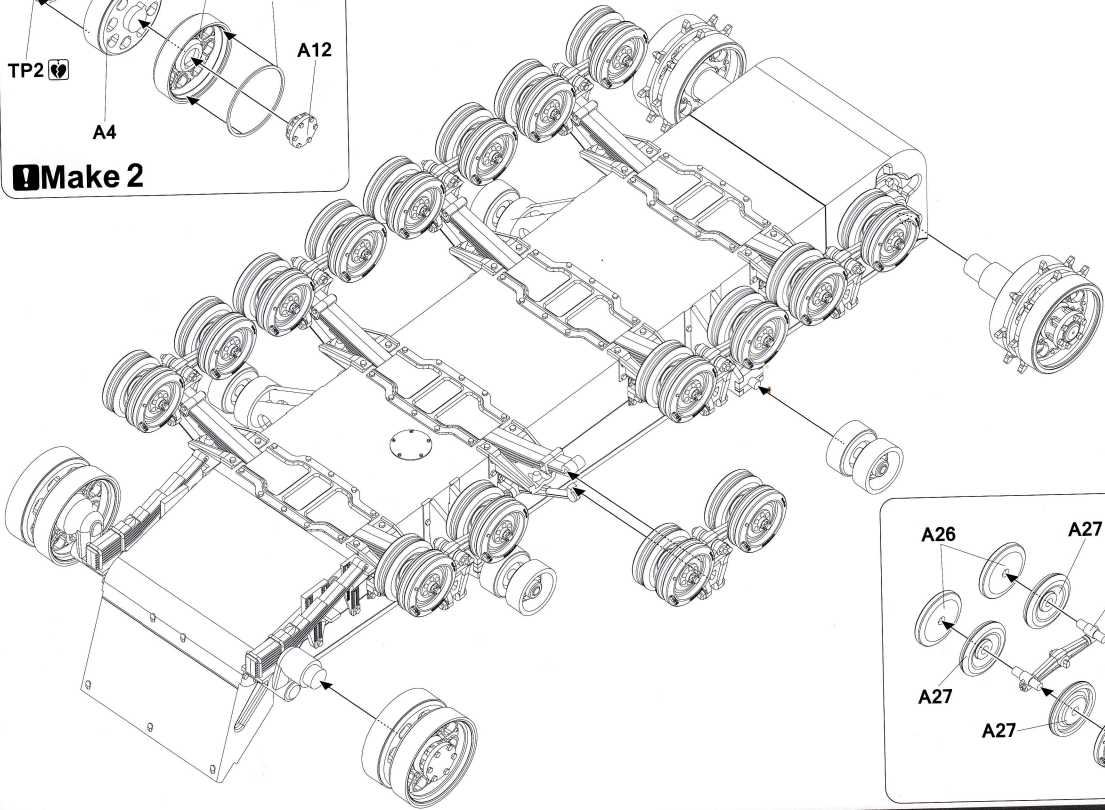
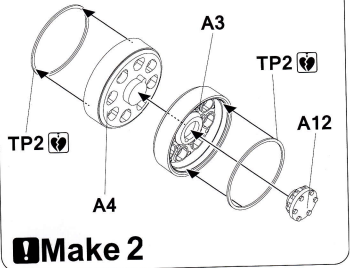


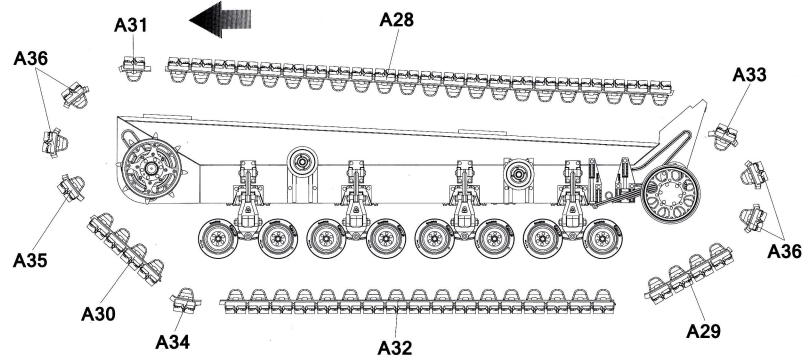
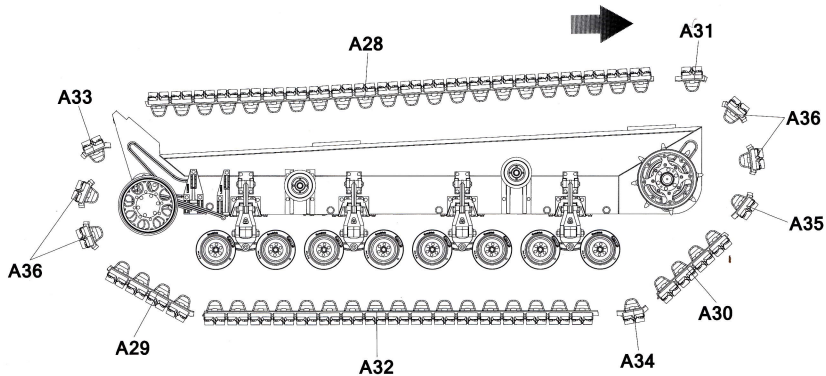
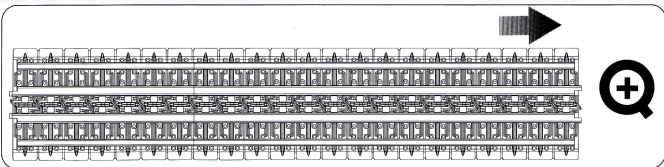
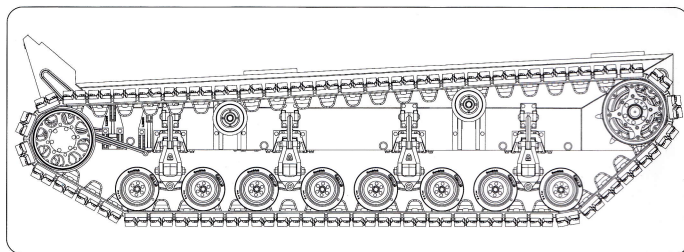
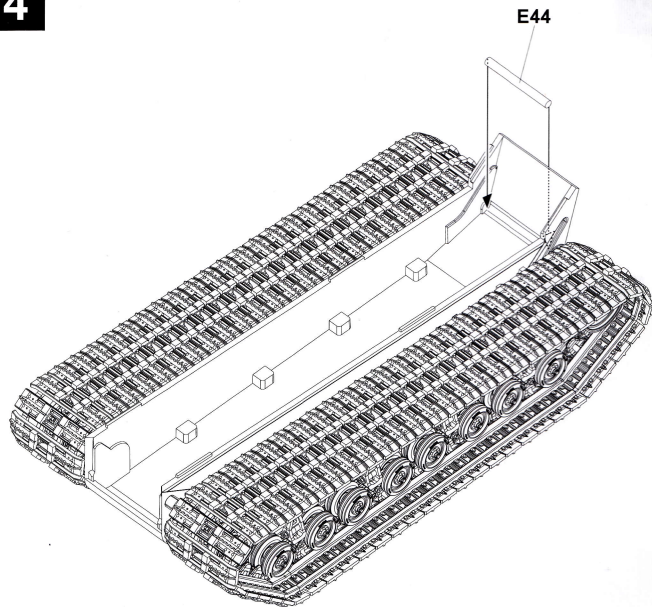
Decal

1

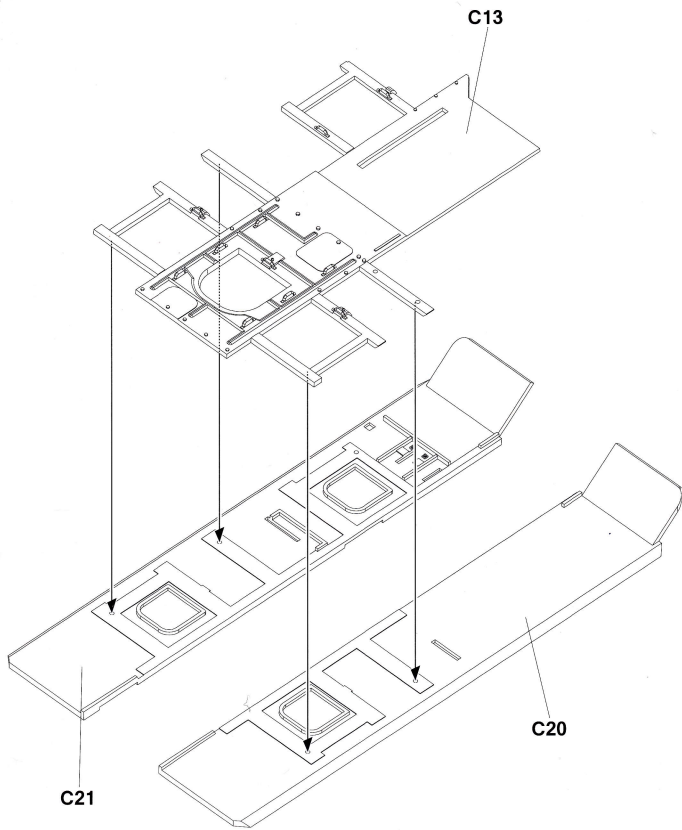


2

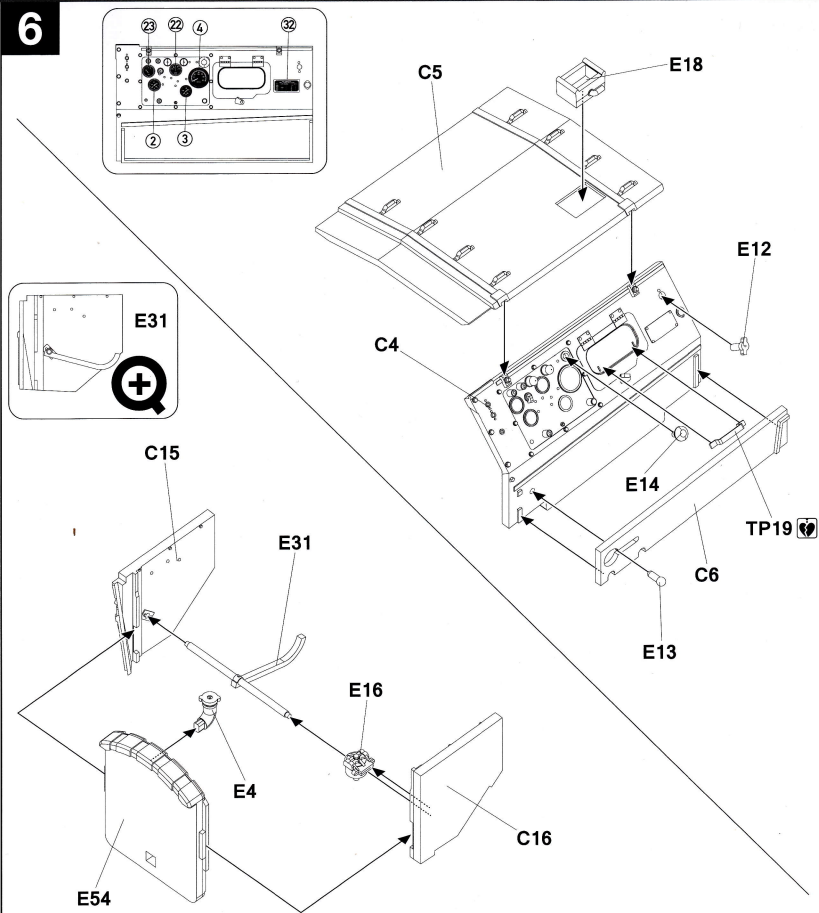


**3****4****5**

5

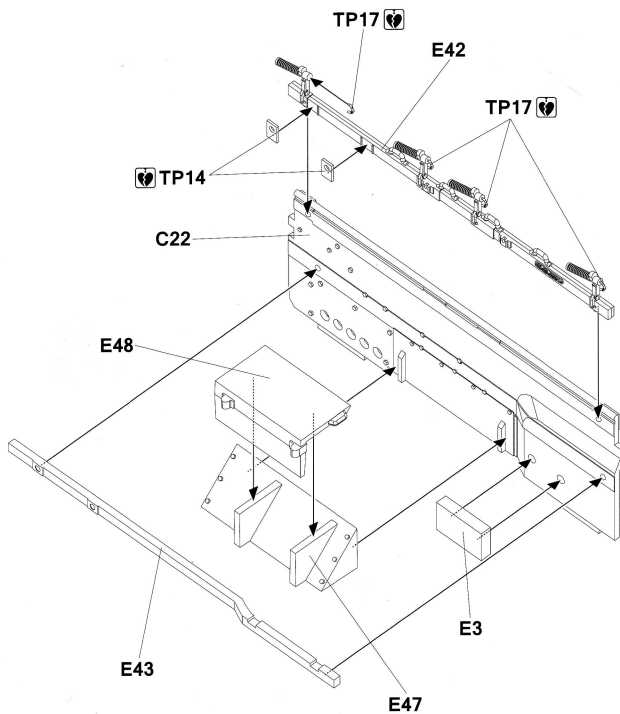
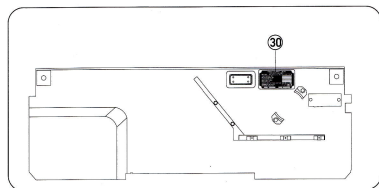


6

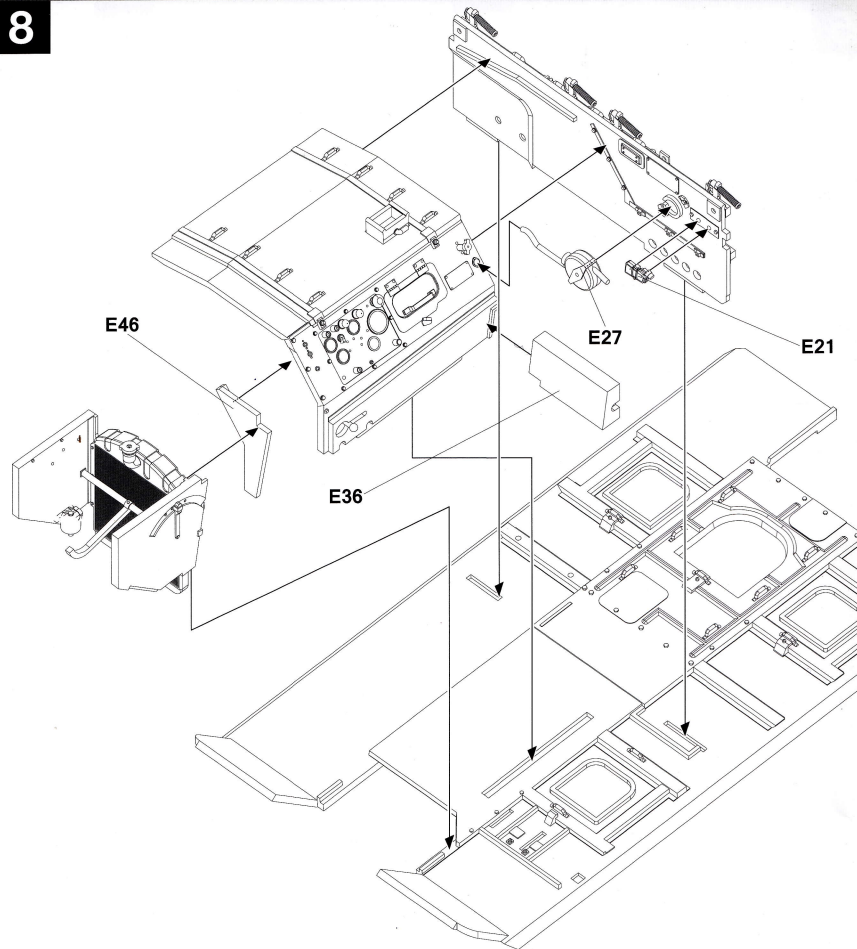


6

7

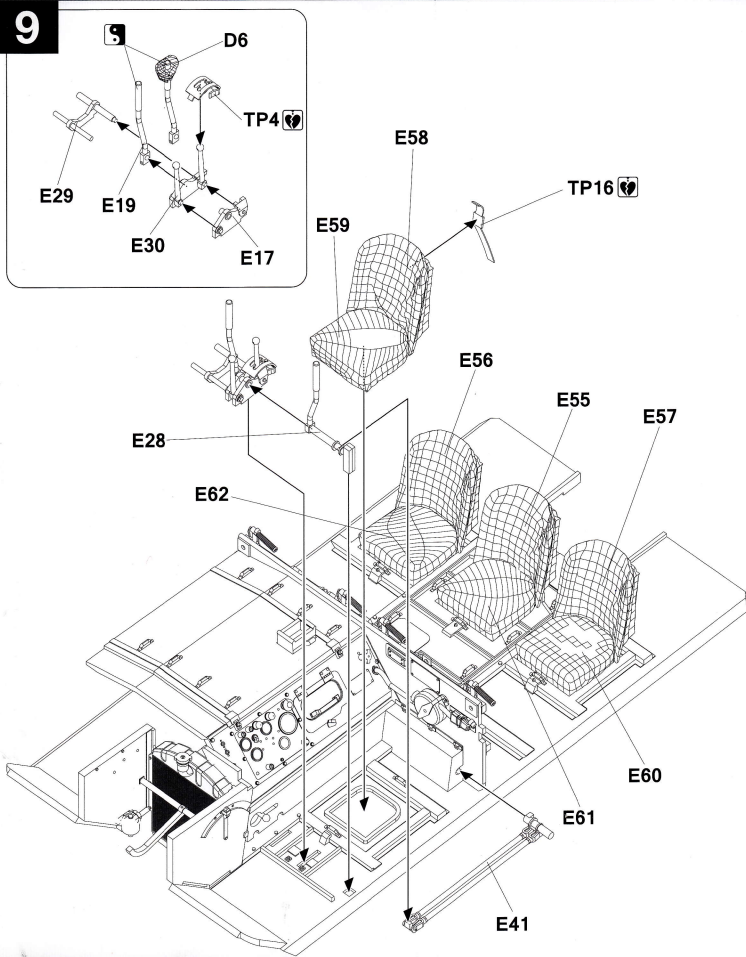


8

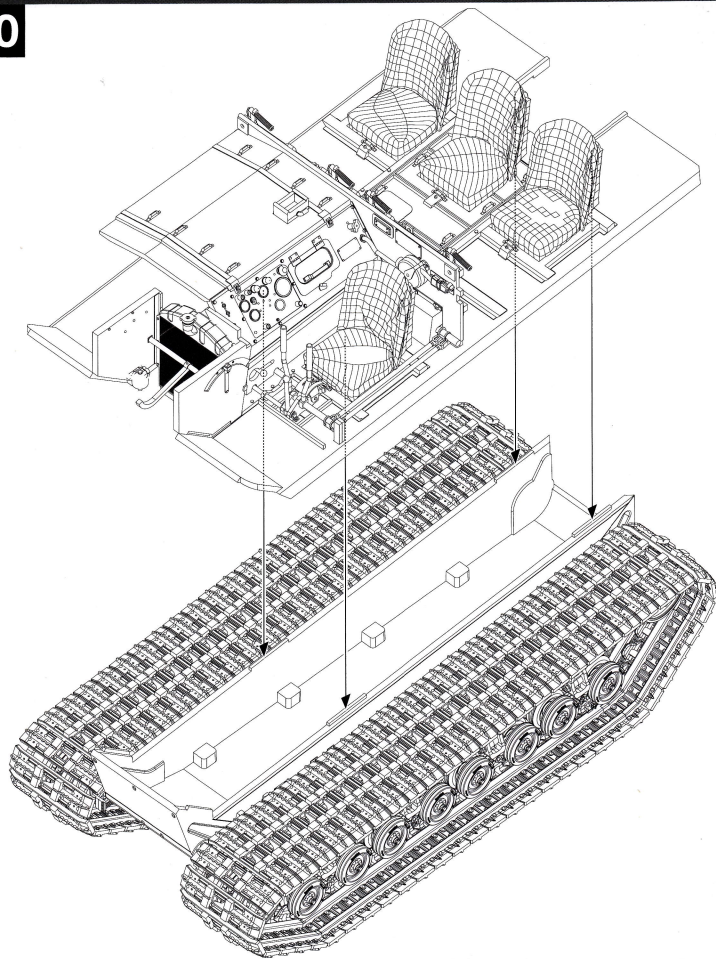




9

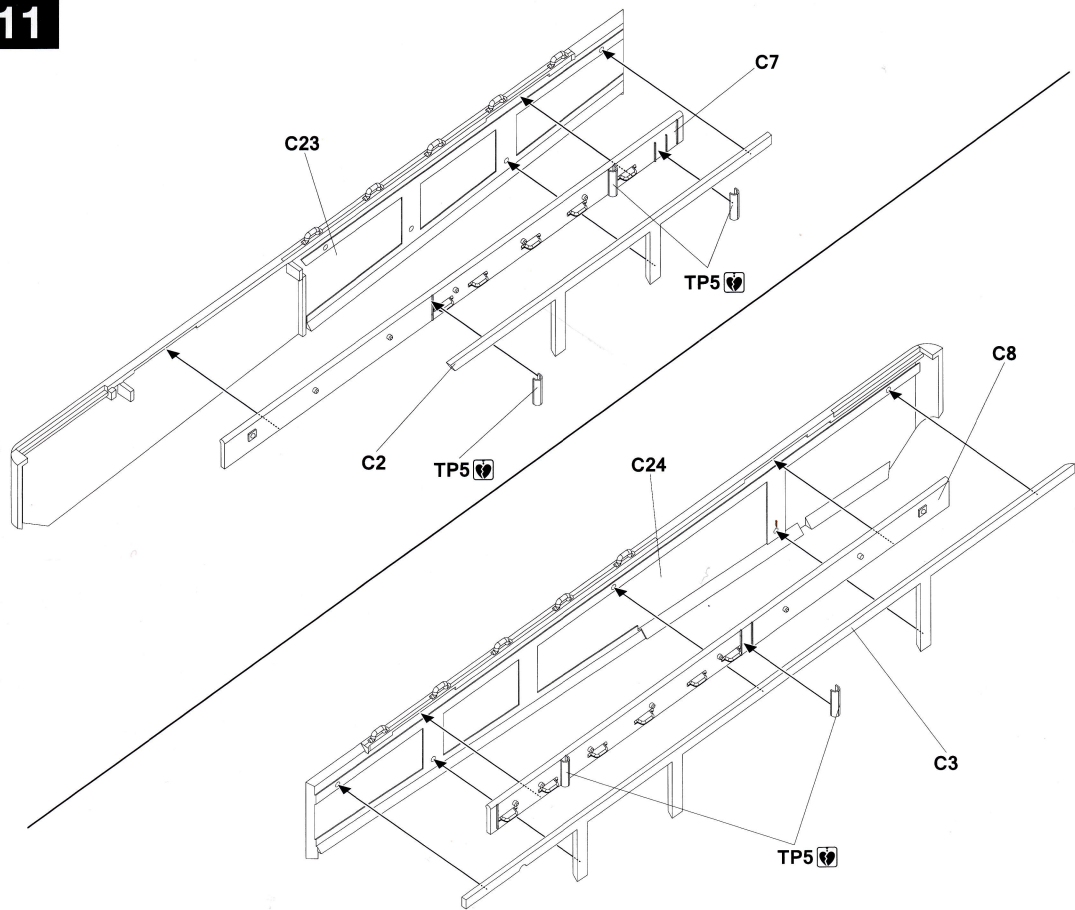


10

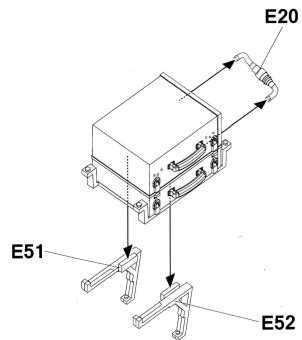
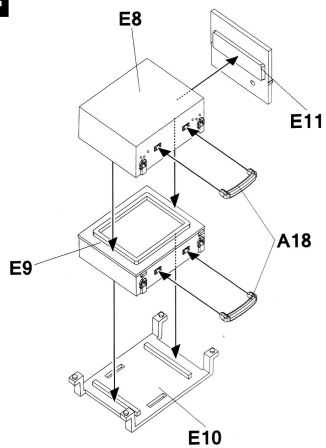


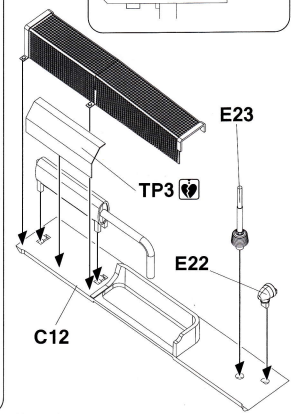
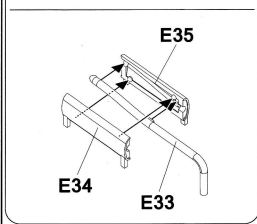
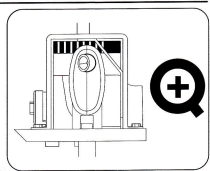
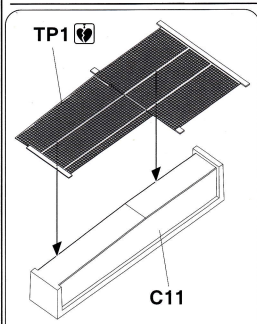
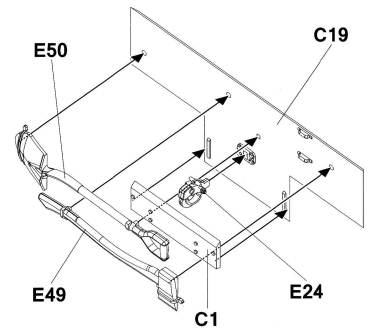
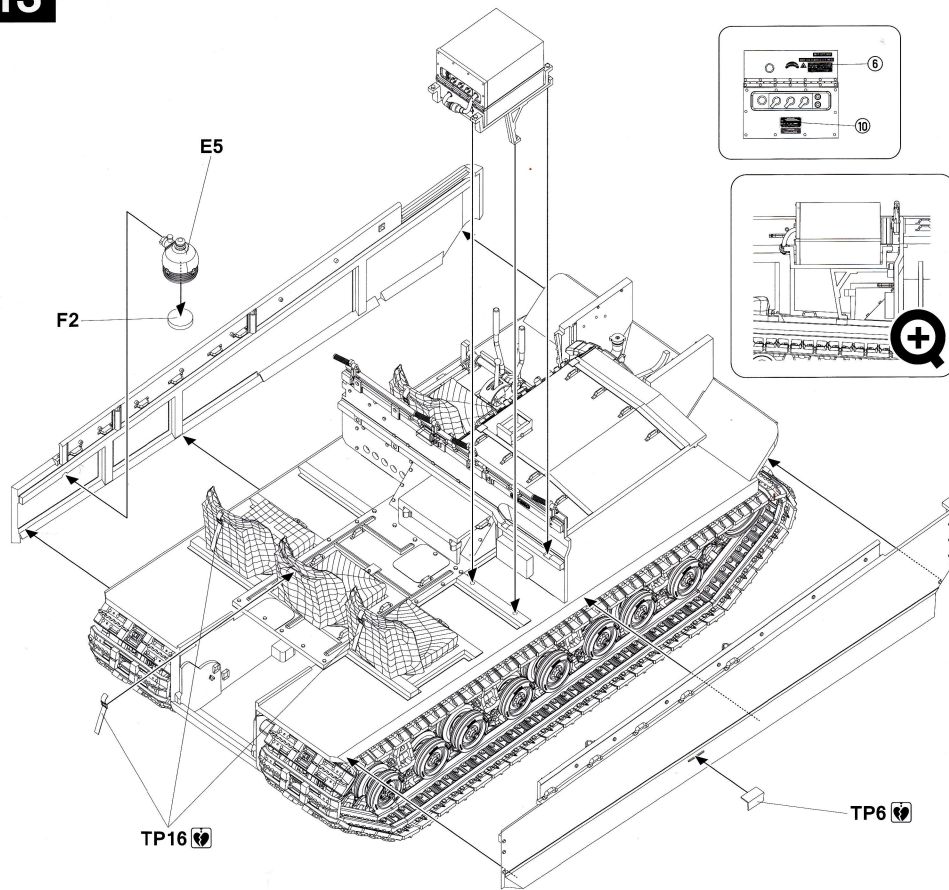
8

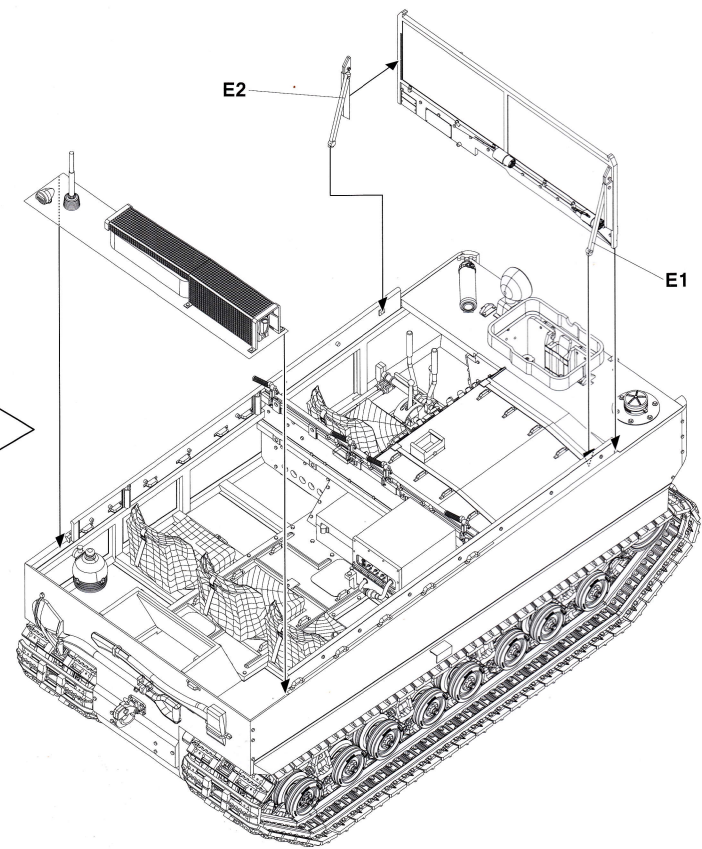
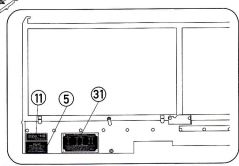
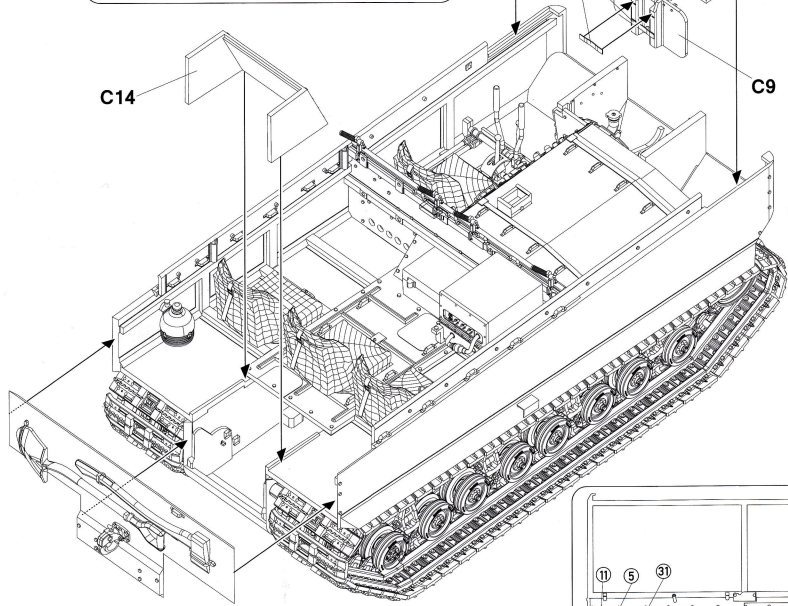
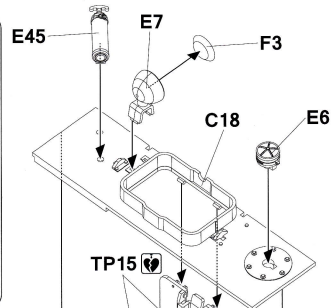
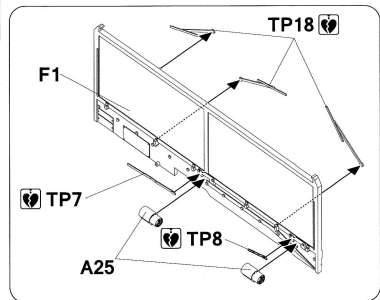
11

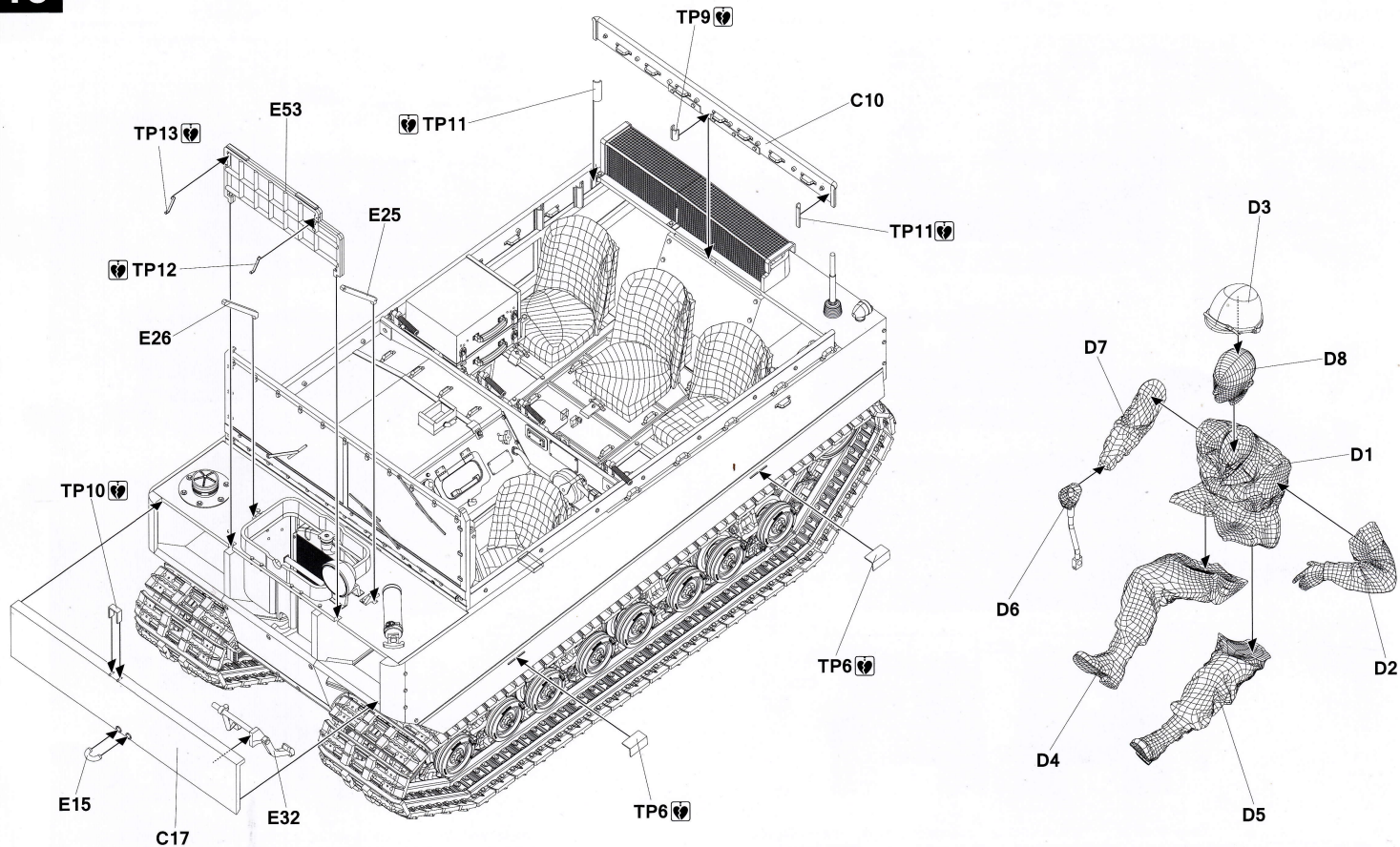


12







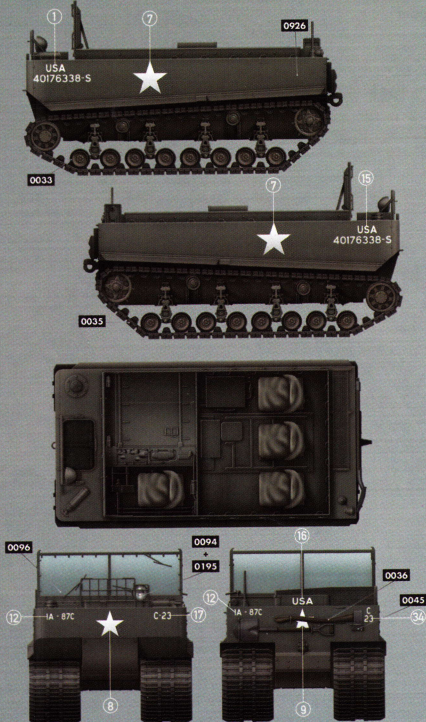
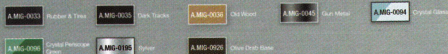


## Painting and Marking Guide

TAKOM No: 2167

M29 Weasel

C Company, 87th Chemical Battalion,  
1st U.S. Army, Normandy,  
France, July 1944



### WEATHERING STEPS WITH AMMO PRODUCTS

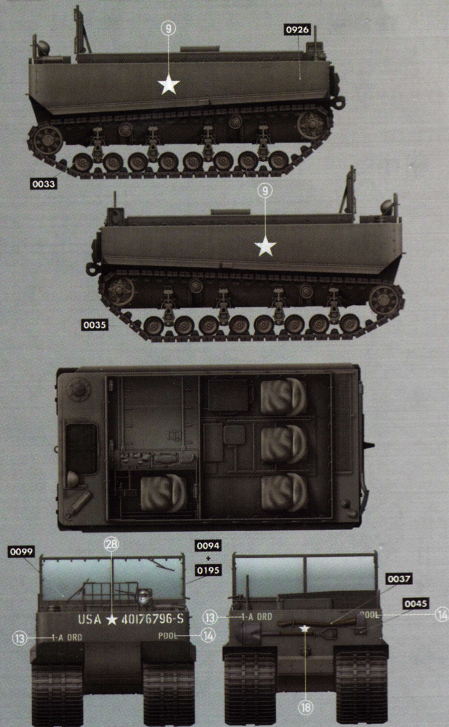
1 GENERAL WASH	3 STREAKING	5 RAINMARKS	7 RUD	9 FUEL
A.MIG-1005 Dark Brown Wash for Green vehicles	A.MIG-1203 Streaking Grime	A.MIG-1258 StreakingGrater Dust	A.MIG-1702 Tarned Earth	A.MIG-1409 Fuel Stains
2 FILTER	4 TRACKS WASH	8 DUST	10 SPLASHES	12 OIL
A.MIG-1508 Green for Grey Green	A.MIG-1902 Tracks Wash	A.MIG-3012 Sand Pigment	A.MIG-1701 Dry Shppo	A.MIG-1408 Fresh Engine Oil

## Painting and Marking Guide

TAKOM No: 2167

M29 Weasel

Ordnance Pool, 1st U.S. Army,  
France, September 1944



### WEATHERING STEPS WITH AMMO PRODUCTS

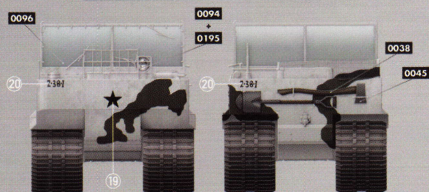
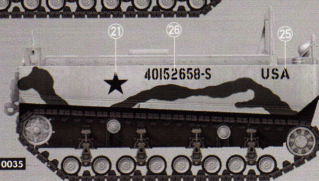
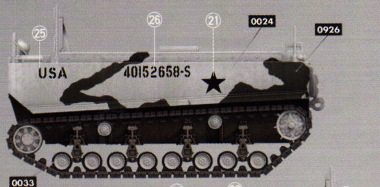
1 GENERAL WASH	3 STREAKING	5 RAINMARKS	7 RUD	9 FUEL
A.MIG-1005 Dark Brown Wash for Green vehicles	A.MIG-1203 Streaking Grime	A.MIG-1258 StreakingGrater Dust	A.MIG-1702 Tarned Earth	A.MIG-1409 Fuel Stains
2 FILTER	4 TRACKS WASH	8 DUST	10 SPLASHES	12 OIL
A.MIG-1508 Green for Grey Green	A.MIG-1902 Tracks Wash	A.MIG-3012 Sand Pigment	A.MIG-1701 Dry Shppo	A.MIG-1408 Fresh Engine Oil

## Painting and Marking Guide

TAKOM No: 2167

M29 Weasel

2nd Battalion, 38th Infantry Regiment,  
2nd Infantry Division, Schoenebeck,  
Germany, February 1945



### WEATHERING STEPS WITH AMMO PRODUCTS

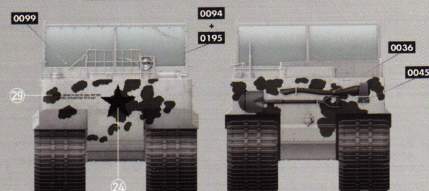
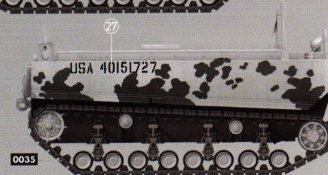
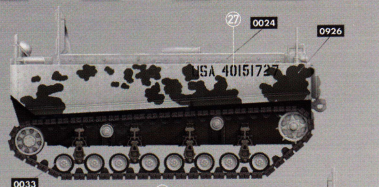
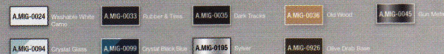
<b>1</b> GENERAL WASH AMMO-0110 Neutral Wash	<b>4</b> CAMO SHADING AMMO-0857 Grey Shader	<b>7</b> STREAKING AMMO-1258 Streakingbrusher Water Grits	<b>10</b> DUST AMMO-3029 Winter Soil Pigment
<b>2</b> COLOUR TRANSFER AMMO-3041 Oilbrusher White	<b>5</b> DIRT SHADING AMMO-0853 Dirt Shader	<b>8</b> TRACKS AMMO-1258 Streakingbrusher Dust	<b>13</b> TIRE AMMO-1408 Fuel Stains
<b>3</b> FILTER AMMO-0822 Odcre	<b>6</b> DETAILS HIGHLIGHT AMMO-0608	<b>9</b> TRACKS WASH AMMO-1002 Tracks Wash	<b>14</b> GUN METAL AMMO-1408 Fresh Engine Oil
		<b>11</b> FLASHES AMMO-1002 Tracks Wash	<b>15</b> DUMP TRUCK AMMO-1754 Dump Earth

## Painting and Marking Guide

TAKOM No: 2167

M29 Weasel

3rd Battalion, 16th Regiment,  
1st Infantry Division, Mazywatta,  
Belgium, January 1945



### WEATHERING STEPS WITH AMMO PRODUCTS

<b>1</b> GENERAL WASH AMMO-0110 Neutral Wash	<b>4</b> CAMO SHADING AMMO-0857 Grey Shader	<b>7</b> STREAKING AMMO-1258 Streakingbrusher Water Grits	<b>10</b> DUST AMMO-3029 Winter Soil Pigment
<b>2</b> COLOUR TRANSFER AMMO-3041 Oilbrusher White	<b>5</b> DIRT SHADING AMMO-0853 Dirt Shader	<b>8</b> TRACKS AMMO-1258 Streakingbrusher Dust	<b>13</b> TIRE AMMO-1408 Fuel Stains
<b>3</b> FILTER AMMO-0822 Odcre	<b>6</b> DETAILS HIGHLIGHT AMMO-0608	<b>9</b> TRACKS WASH AMMO-1002 Tracks Wash	<b>14</b> GUN METAL AMMO-1408 Fresh Engine Oil
		<b>11</b> FLASHES AMMO-1002 Tracks Wash	<b>15</b> DUMP TRUCK AMMO-1754 Dump Earth

