

SPACE: 1999 EAGLE

1/72 scale

Photoetch Set

PARA
GRAFIX™

PGX227

ParaGrafix states that our use of the trademarked terms listed below in our product descriptions constitutes fair use and nominative use and is in no way to offer confusion that ParaGrafix and any of the following noted trademark holders are related companies, nor do we state that we are endorsed by these trademark holders. We are an AFTERMARKET company acting in GOOD FAITH in providing high quality products to loyal customers who have already purchased products related to these trademarks. ParaGrafix is actually providing these trademark holders a venue of free advertising and indirectly provide these trademark holders with more sales leads. Space: 1999 is a trademark of ITC. All Rights Reserved.

INTRODUCTION

Thank you for purchasing ParaGrafix's photoetch set for the 1/72 scale Eagle from Space: 1999.

Materials

In addition to the photoetch, you will also need scissors or a knife* to remove individual pieces from the main fret, a file to remove material left from cutting, and super glue (aka CA or cyanoacrylate). Additionally, to fold some pieces, you will need a pair of razor blades** or a specialty tool such as PhotoFold from ParaGrafix.

To attach the PETG window "glass" provided with this set, we suggest Microscale's Micro Krystal Klear or Testor Clear Parts Adhesive and Window Maker.

* We prefer a #17 Xacto chisel blade.

** Extreme care must be taken when using razor blades. Risk of serious injury.

Installation Parts Order

The installation steps are not in any particular order. You can complete them as you see fit to complement your kit construction order.

Key

Kit part (plastic):



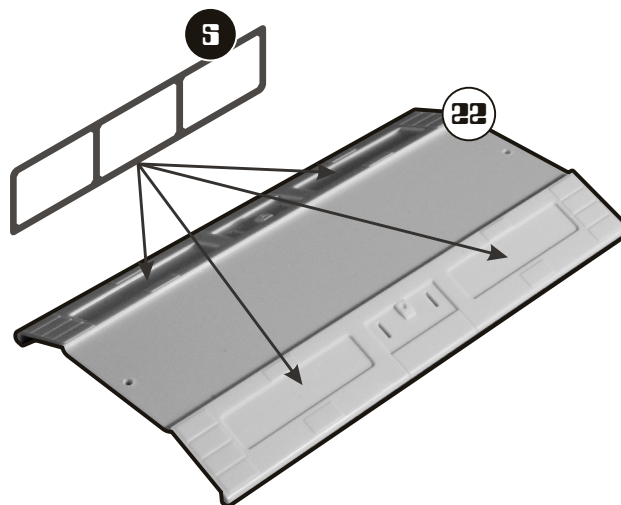
Photoetched part:



Passenger Pod Window Frames

Simply attach the four raised window frames (5) into the recesses in passenger pod roof (22).

(If you want to make these actual windows, remove the plastic from the windows and replace with some of the clear PETG plastic included with this photoetch set.)

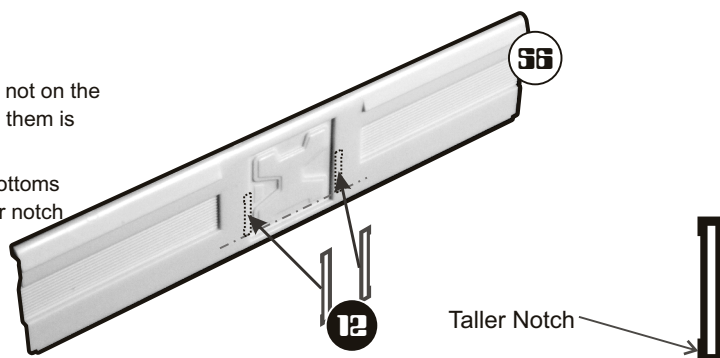


Railing Sockets

Two Times

NOTE: These sockets, that house the railings for the stairs, are not on the filming miniatures. They only appear on the full sized set. Using them is optional.

Simply mount the sockets flush to the door opening with their bottoms even with the bottom raised area of the door. Note that the taller notch goes on the bottom.



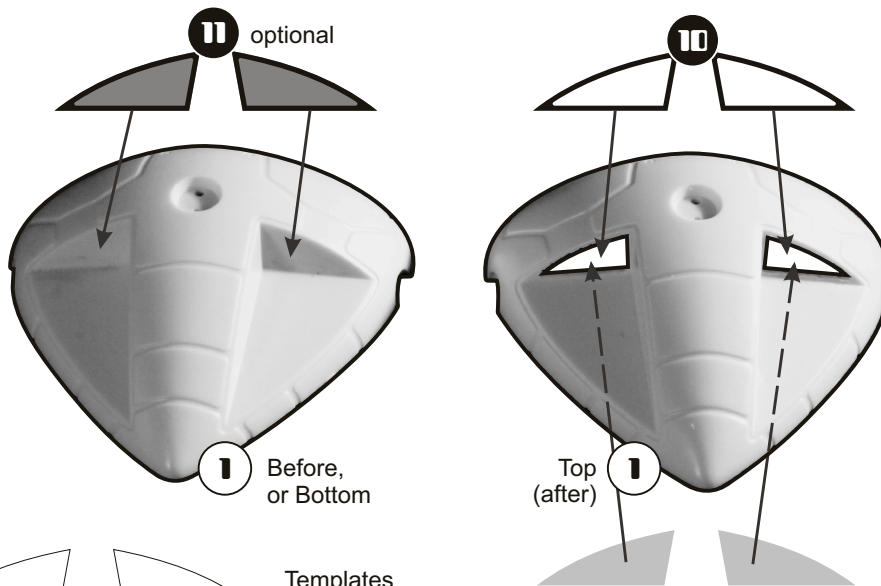
Cockpit Windows

Remove all but a small rim from the two window areas on whichever of the two cockpit halves (part 1) you will be using as the top.

Cut two sets of window "glass" from the included clear PETG sheet using the templates below as guides (feel free to copy the templates). Make sure that they can fit in the holes you cut in the cockpit – adjust both as necessary.

Mount the window frames (etch parts 10) to the cockpit and insert the clear pieces in from the rear.

OPTIONAL: Mount the opaque lower cockpit windows (11) to the bottom windows.

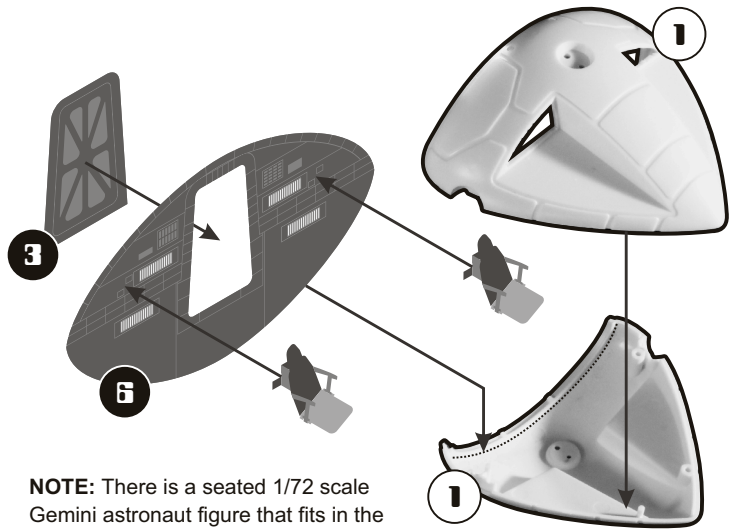
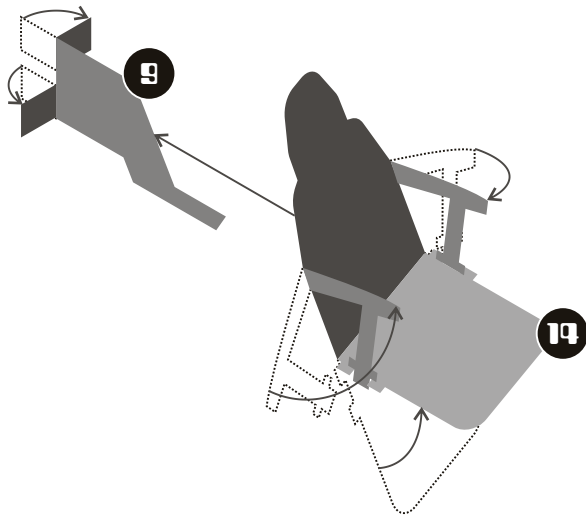


Templates

Cockpit Assembly

Fold the seats (etch parts 9 and 14) as shown and attach together. (Two sets each.)

Mount the door (etch 3) and the assembled seats to the rear wall (etch part 9). Attach this assembly to the inside edge of the lip at the rear of the cockpit (kit parts 1) and assemble cockpit normally.



NOTE: There is a seated 1/72 scale Gemini astronaut figure that fits in the seats on Shapeways.com.
<https://bit.ly/3bX0tx0>

Hatches to Walkway

NOTE: You will find it easier to attach these parts if you anneal them first. Details on annealing can be found here:
<https://bit.ly/39PuFbu>

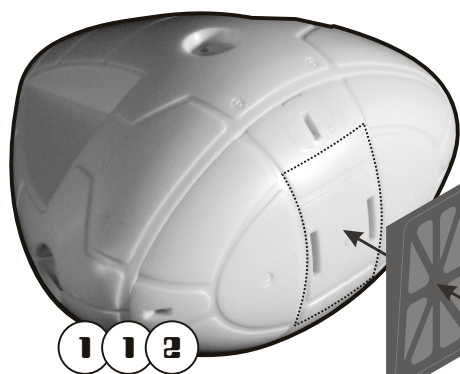
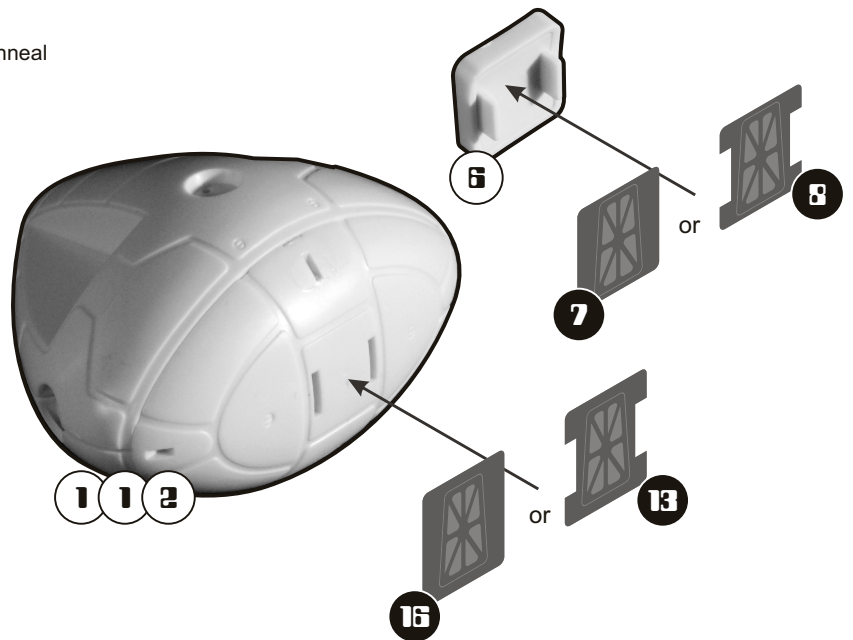
Accessway

Decide whether you will be retaining the mounting studs on kit part 6. If studs will remain, use etch part 8; if they will not, use part 7. Attach the desired etch part to the cockpit wall.

Cockpit

Attach etch part 13 or 16 to the rear of the cockpit. Use 13 is retaining the mounting studs, 16 if not.

TIP: Mount strong, rare-earth magnets inside the cockpit and walkway so that the cockpit can be removed at will.

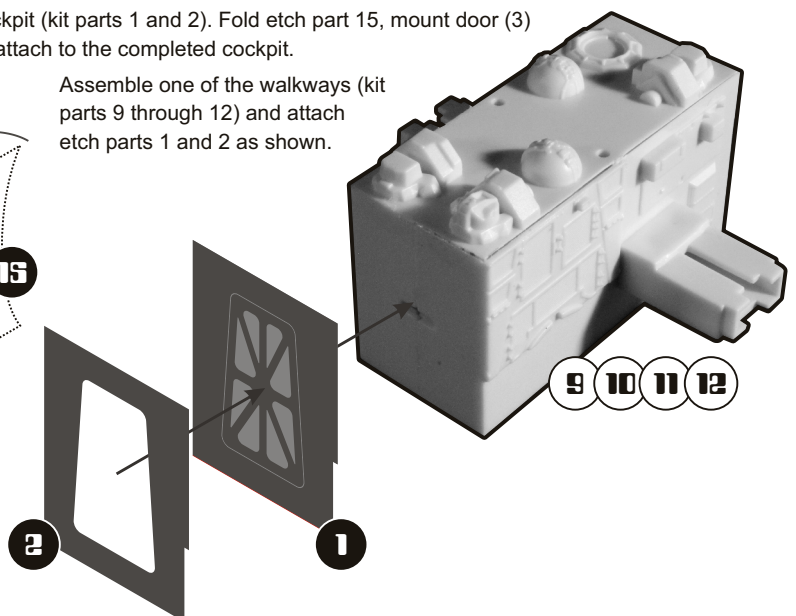


Full-Sized Hatch

To add a full-sized hatch to the Eagle ...

Assemble cockpit (kit parts 1 and 2). Fold etch part 15, mount door (3) inside it, and attach to the completed cockpit.

Assemble one of the walkways (kit parts 9 through 12) and attach etch parts 1 and 2 as shown.



You can now assemble the kit normally.

TIP: Mount strong, rare-earth magnets inside the cockpit and walkway so that the cockpit can be removed at will.



104 County Street, Suite 101
 Attleboro MA 02703 USA
 +1 508-431-9800
www.ParaGrafix.biz