

1/48 SCALE MODEL CONSTRUCTION KIT

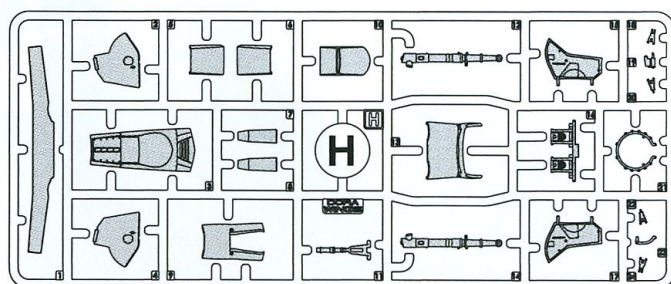
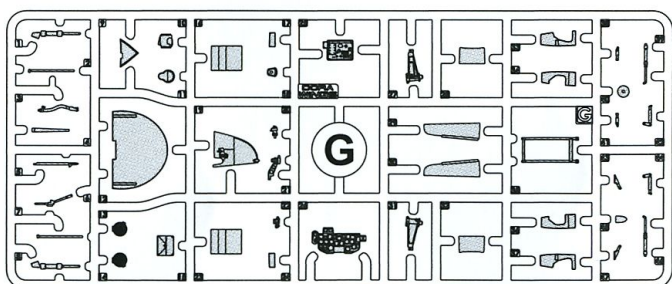
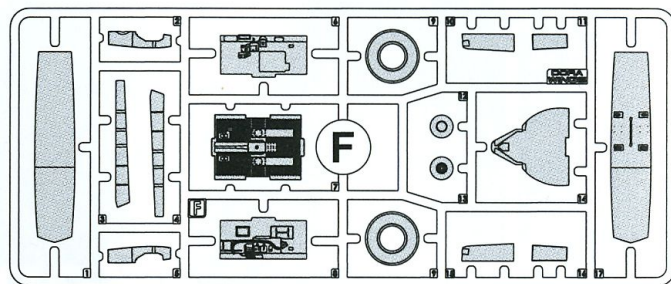
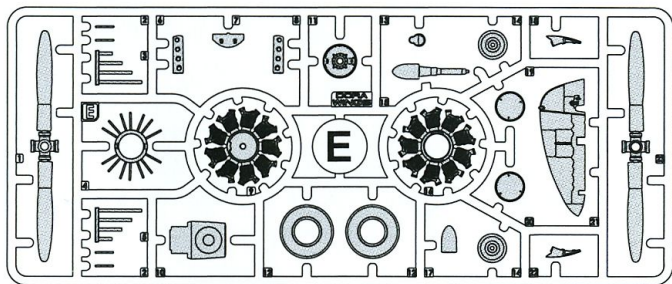
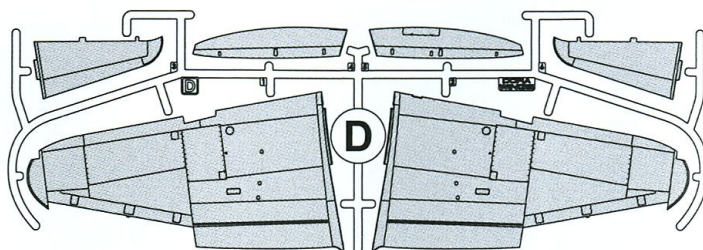
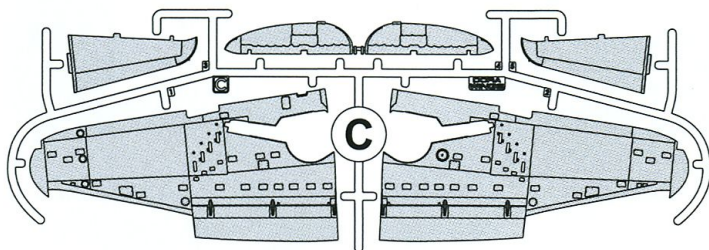
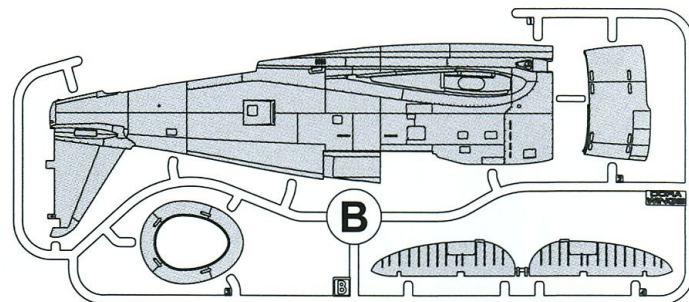
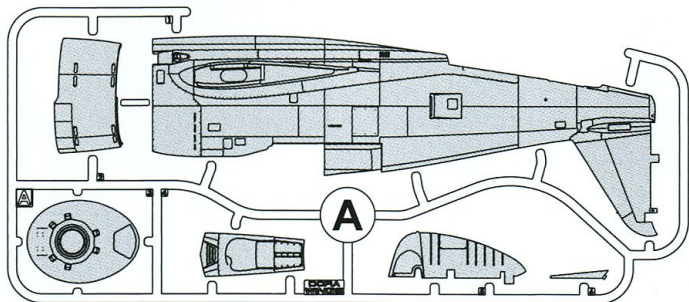


# Republic P-47B Thunderbolt

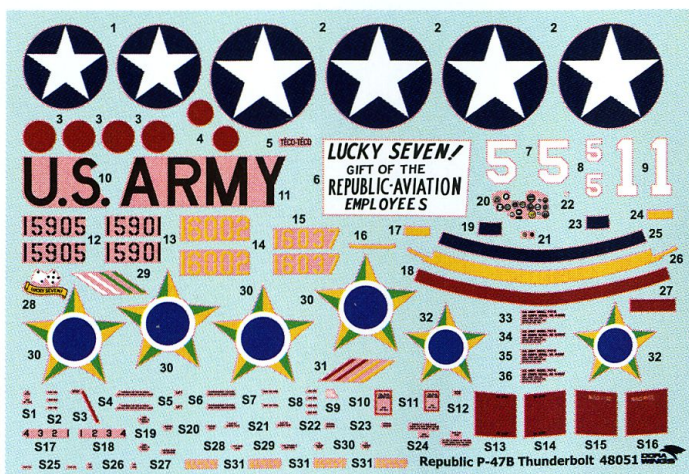
DW 48051



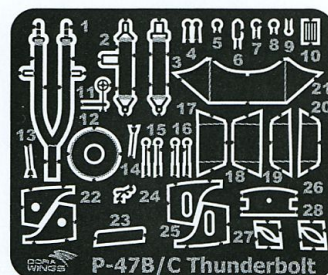
# PARTS OF THE MODEL



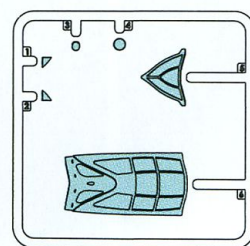
## Decal



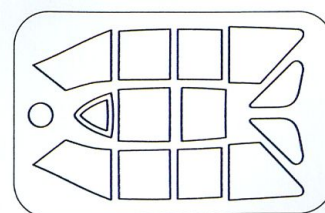
## Pe



## I

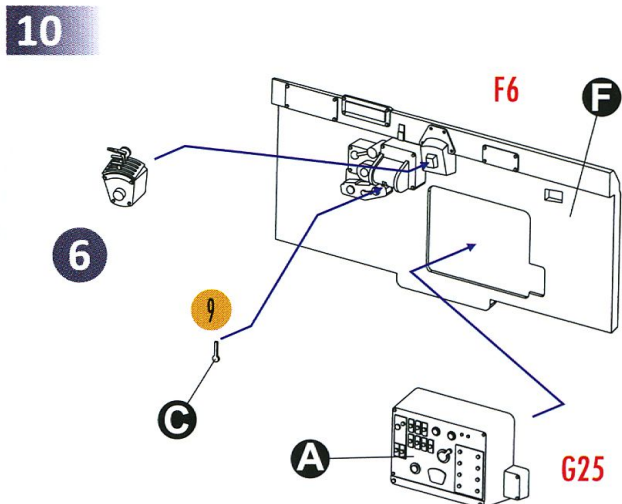
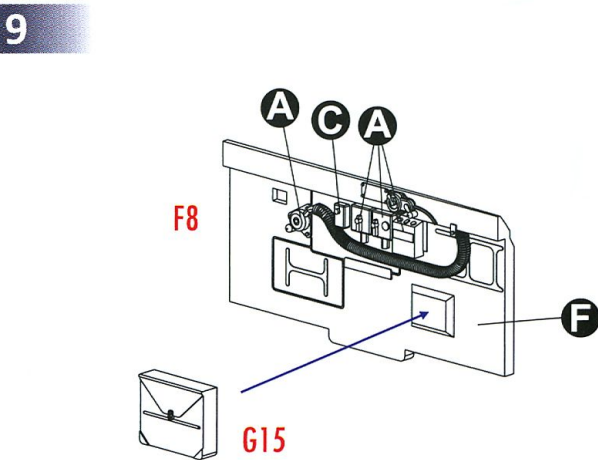
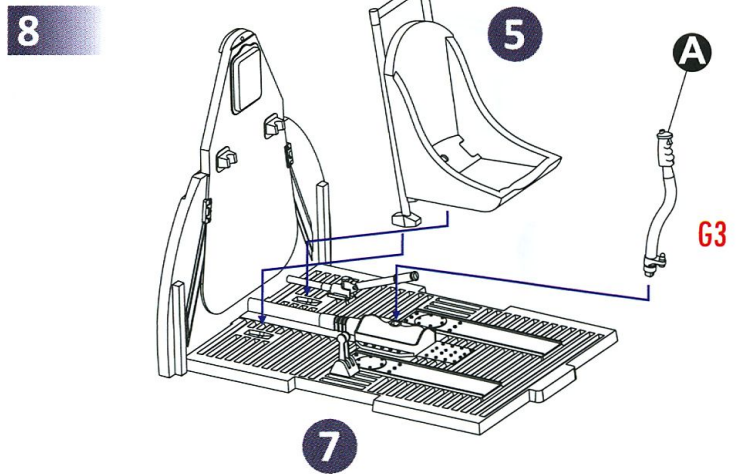
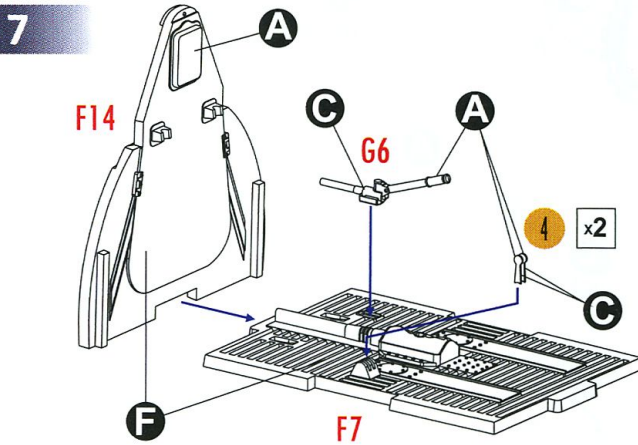
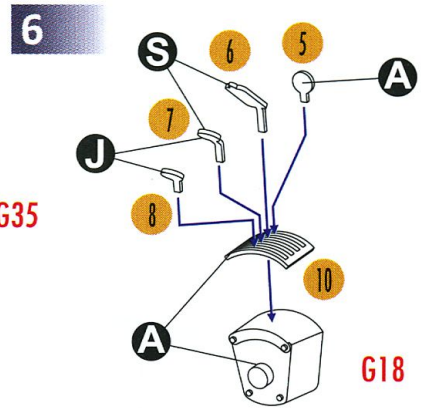
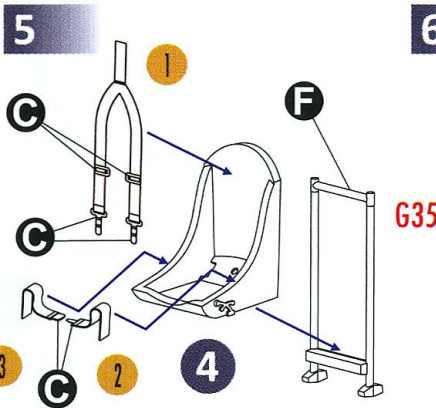
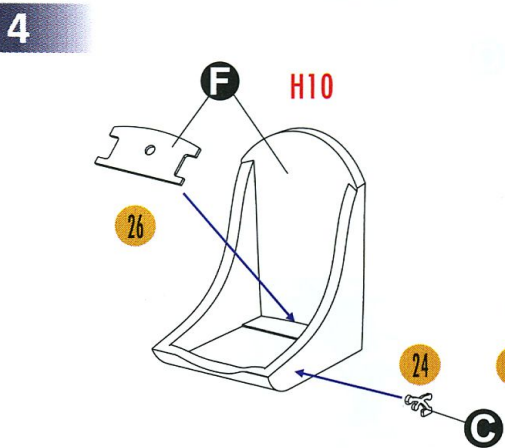
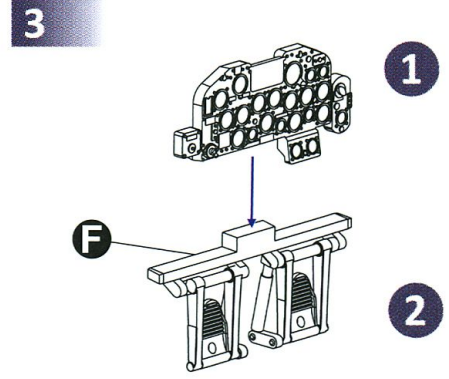
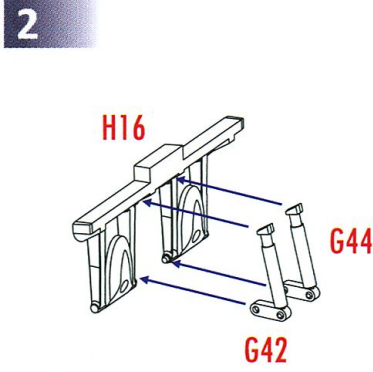
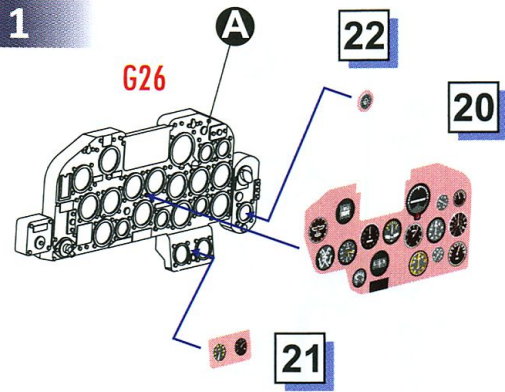


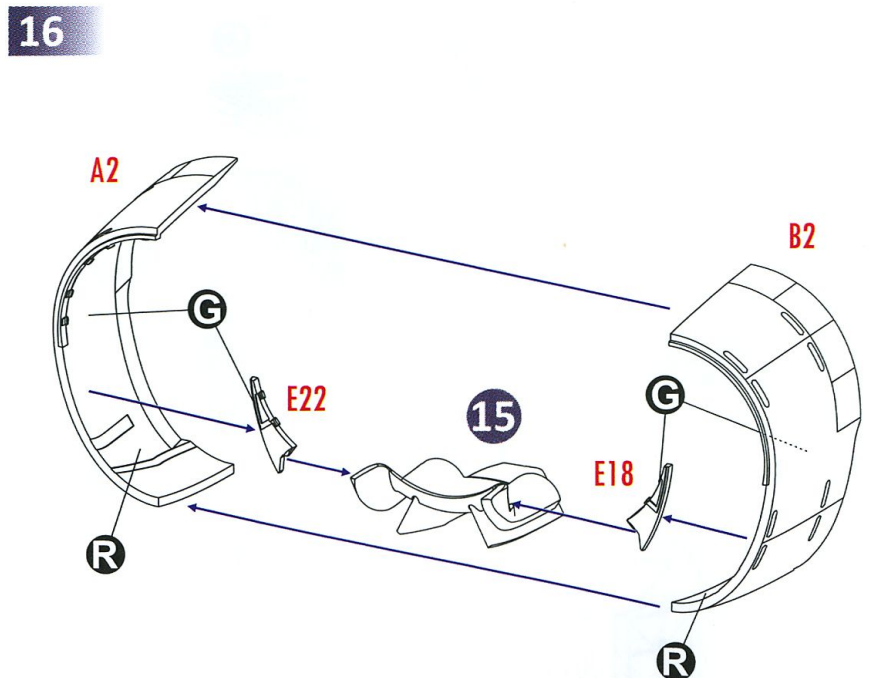
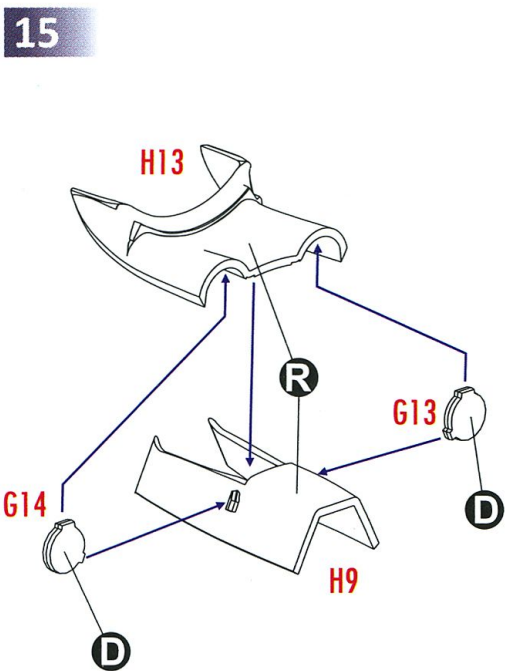
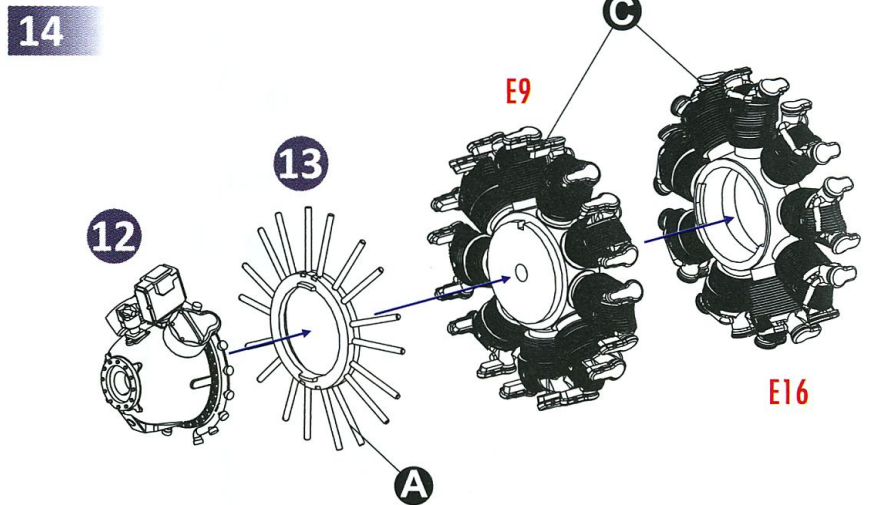
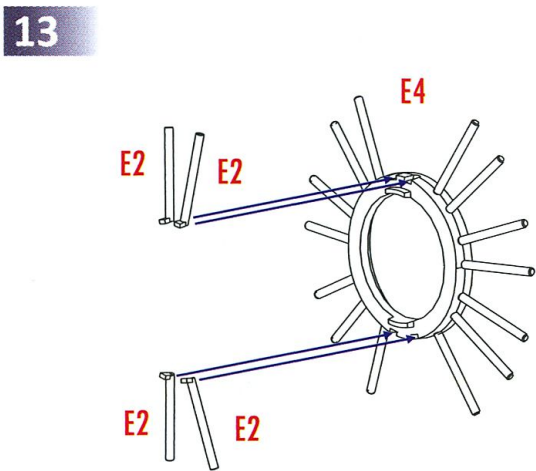
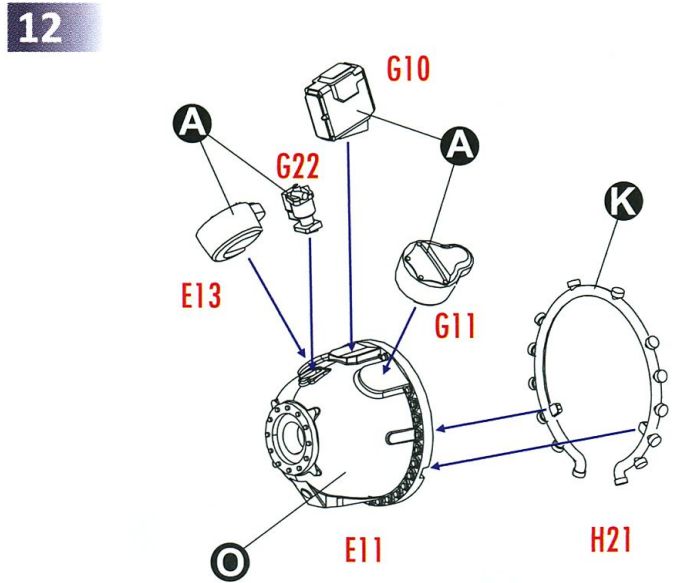
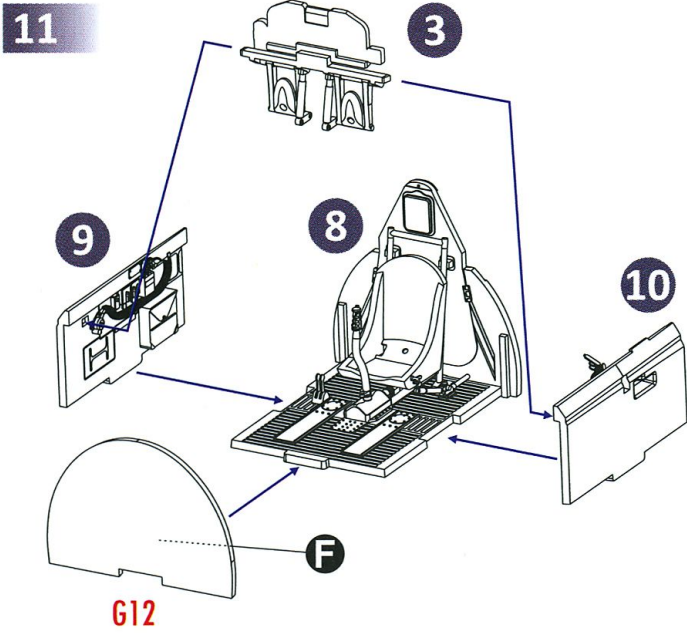
## Mask





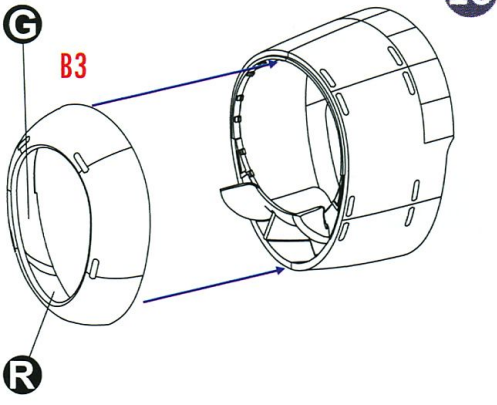
# ASSEMBLY INSTRUCTION



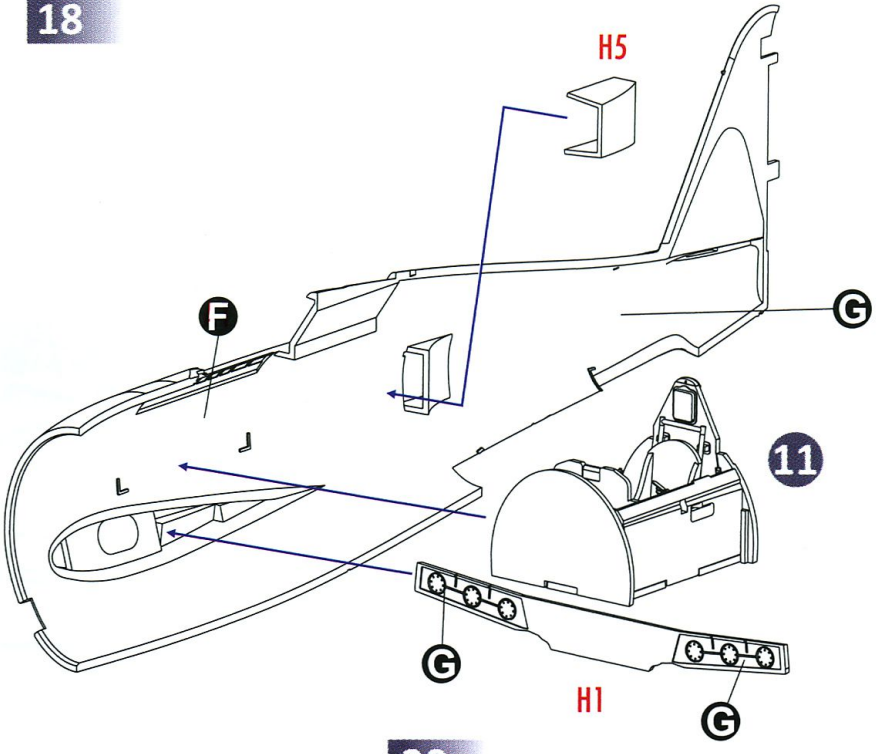




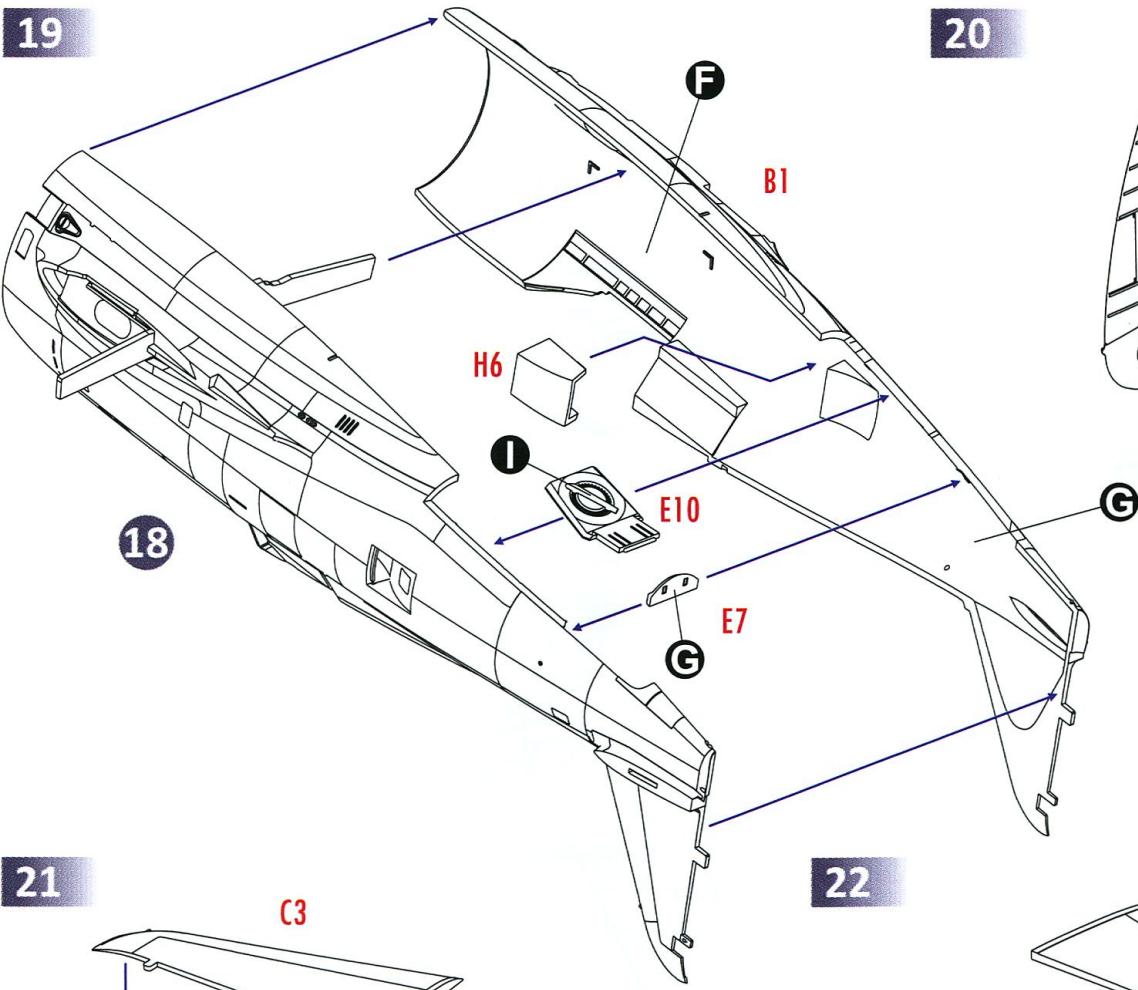
17



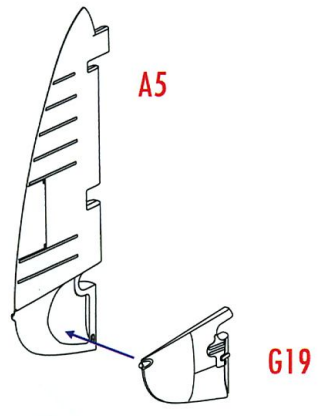
18



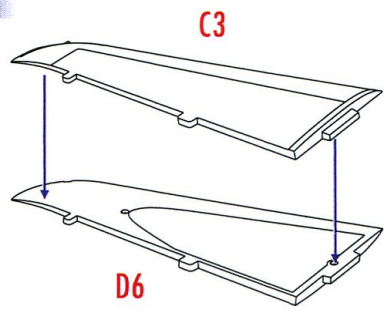
19



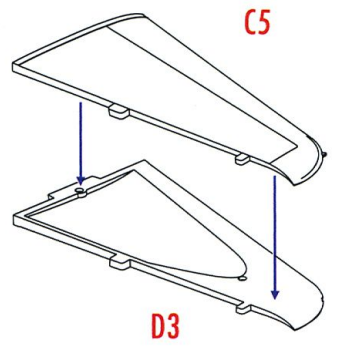
20



21

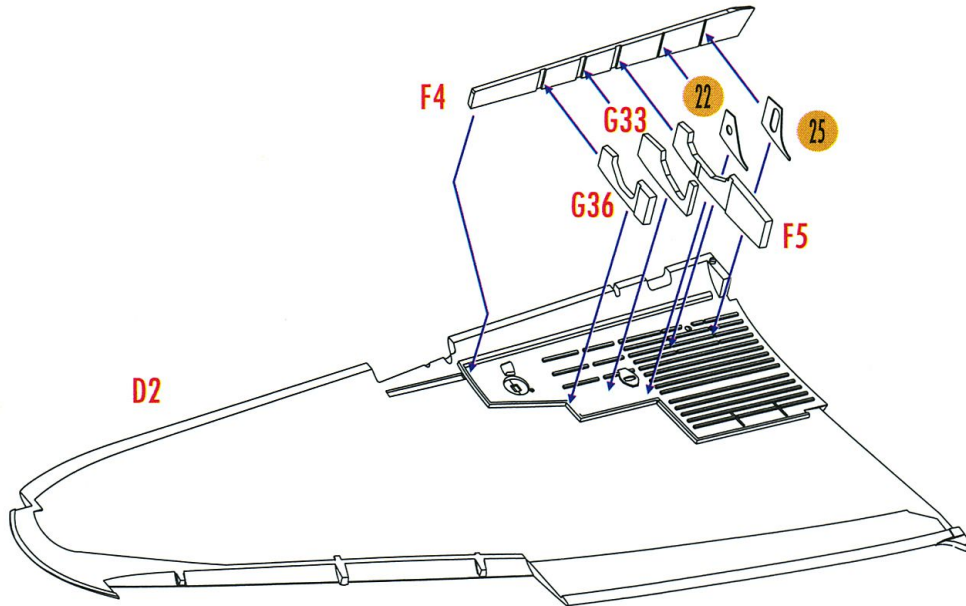


22

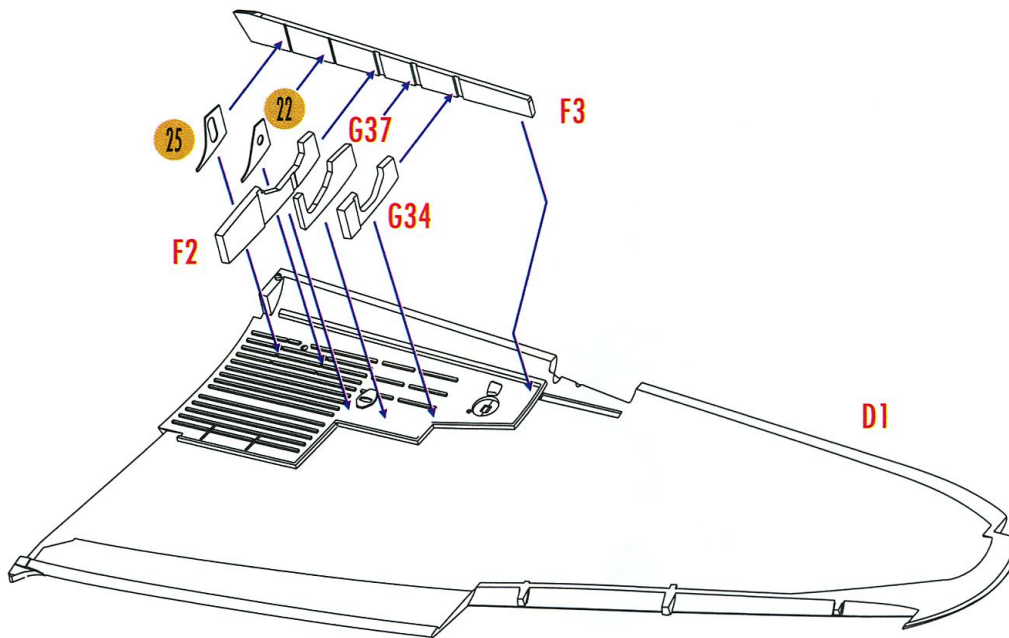




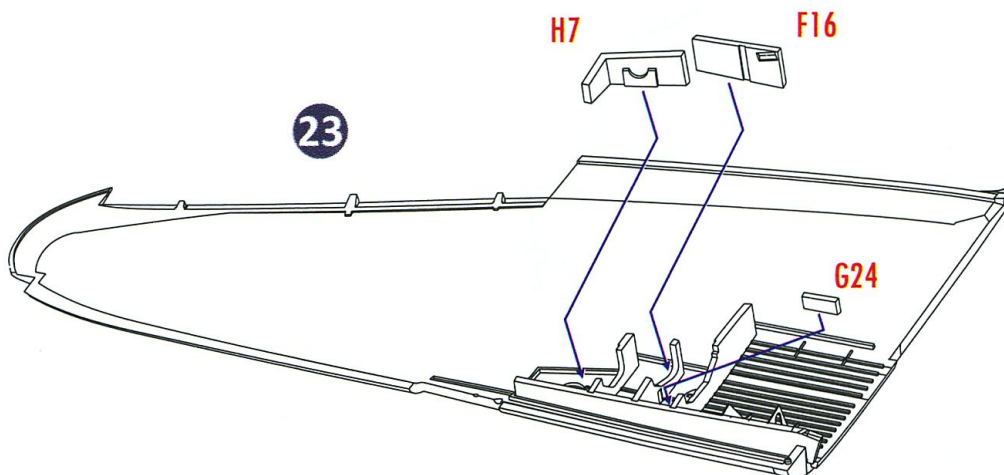
23



24

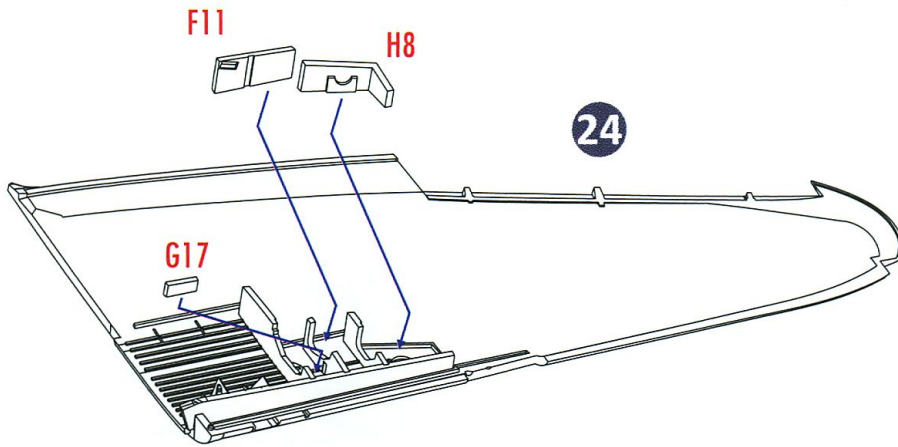


25

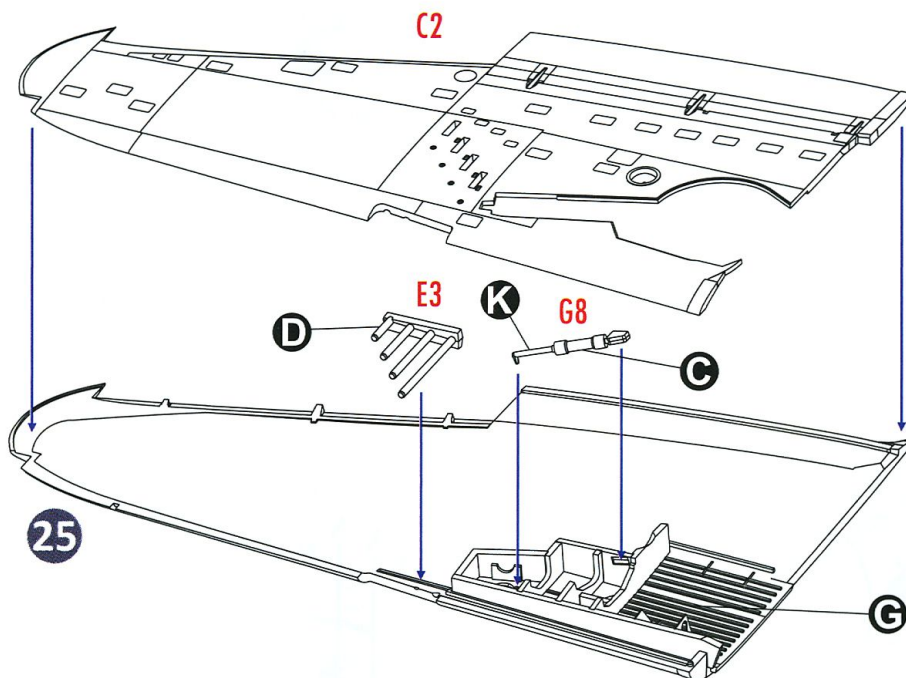




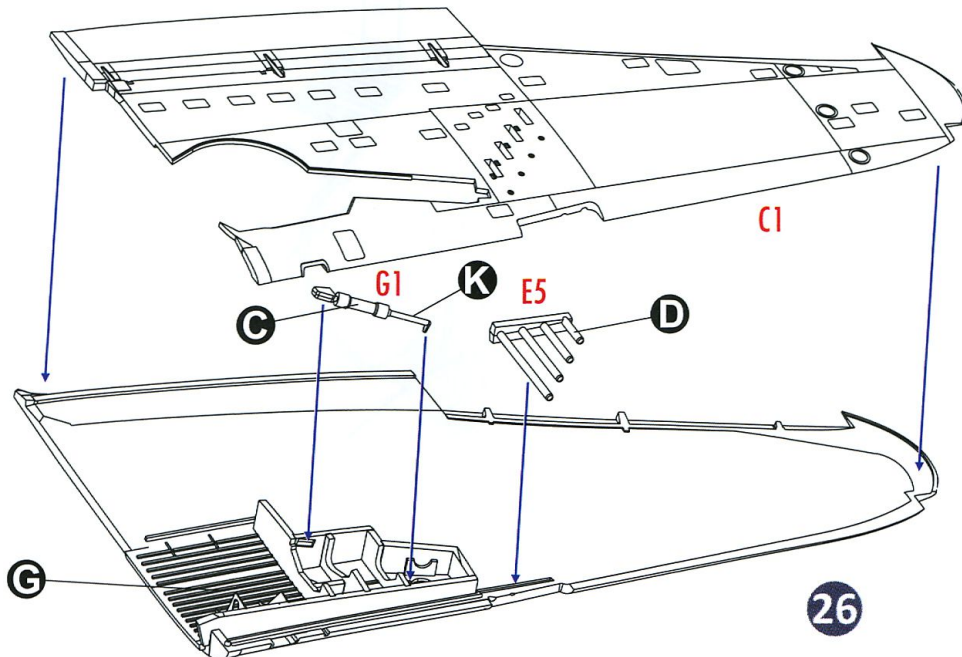
26



27

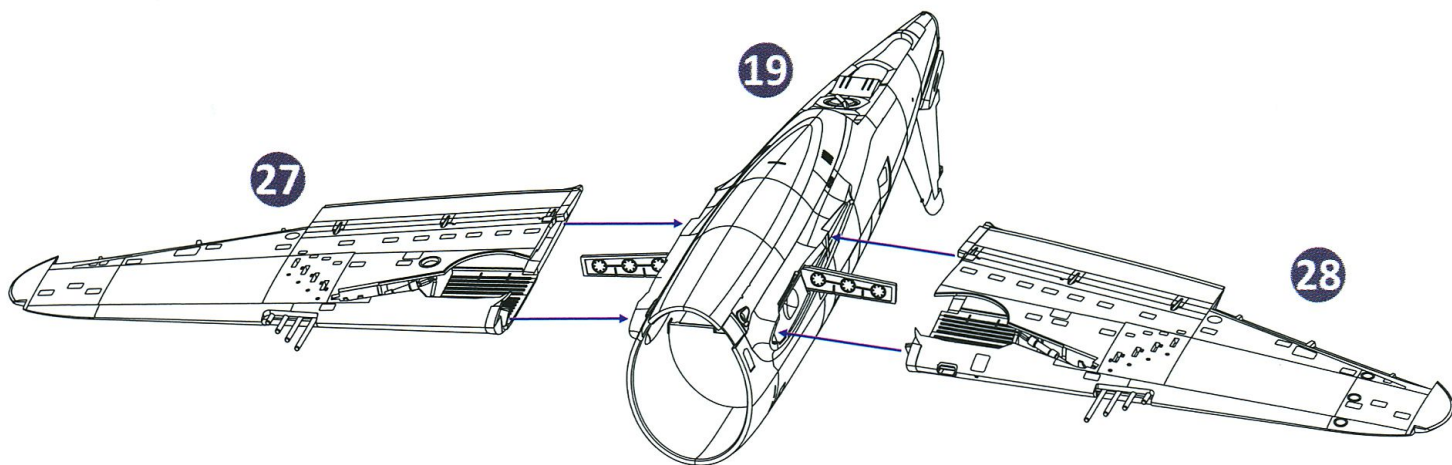


28

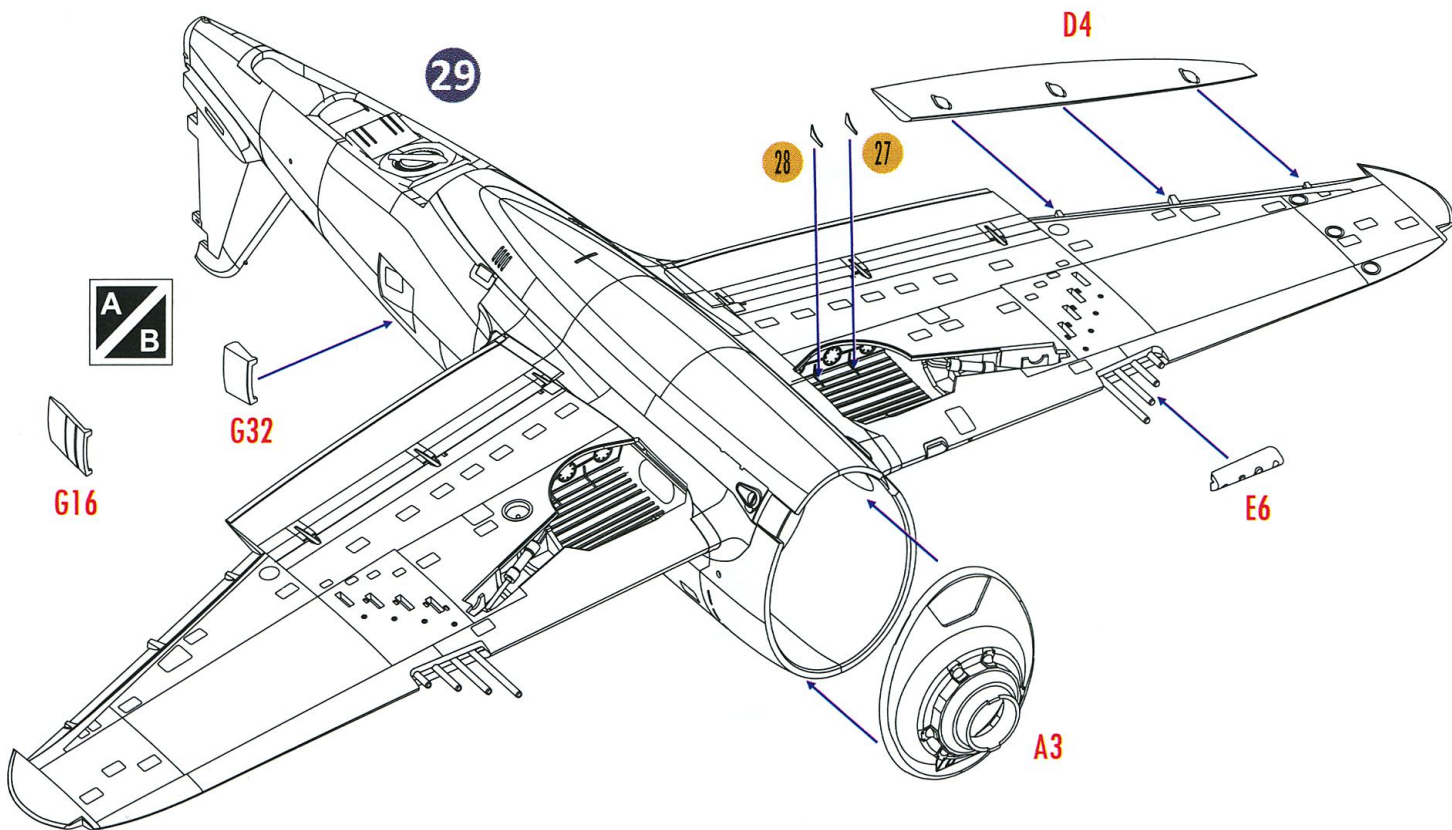




29

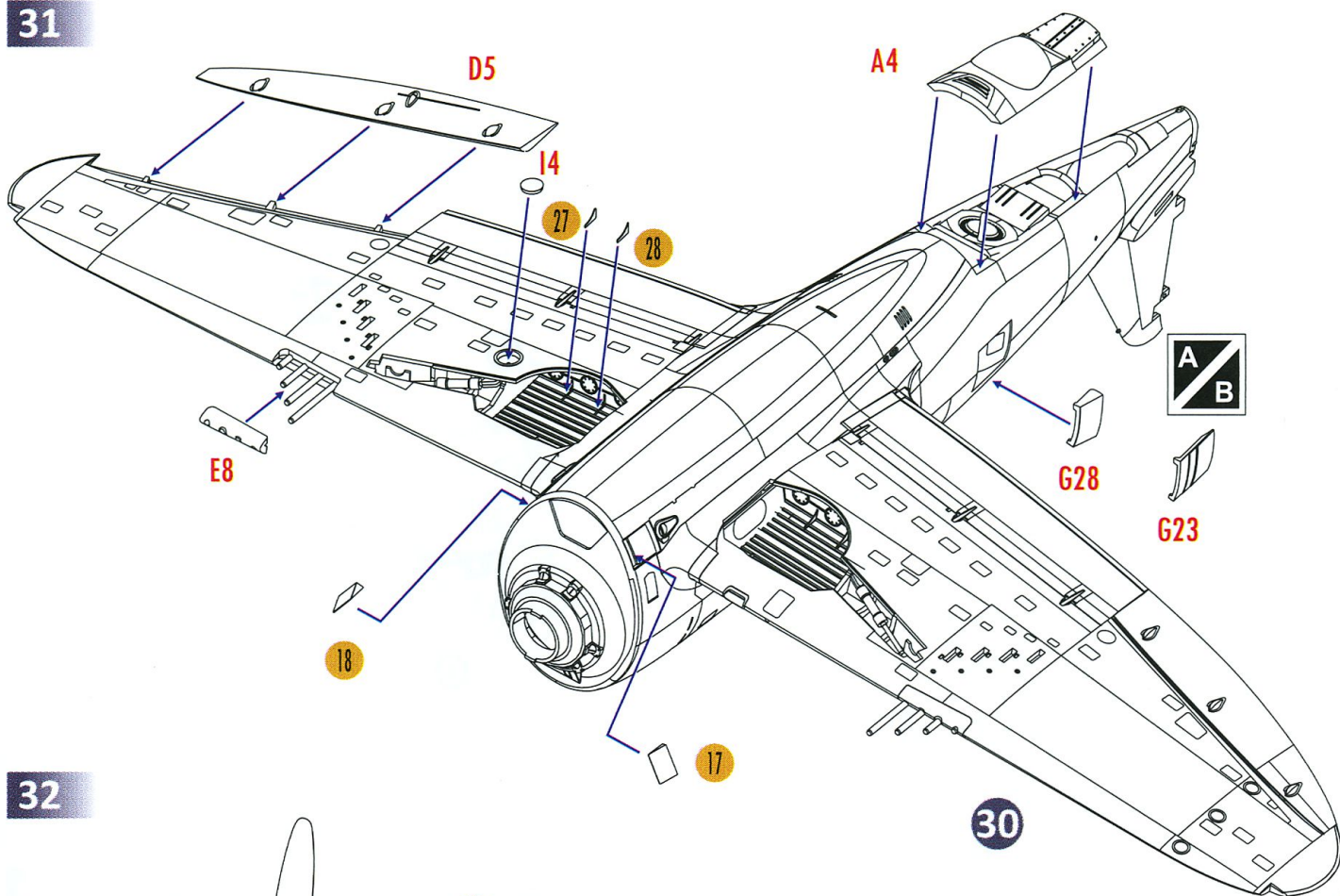


30

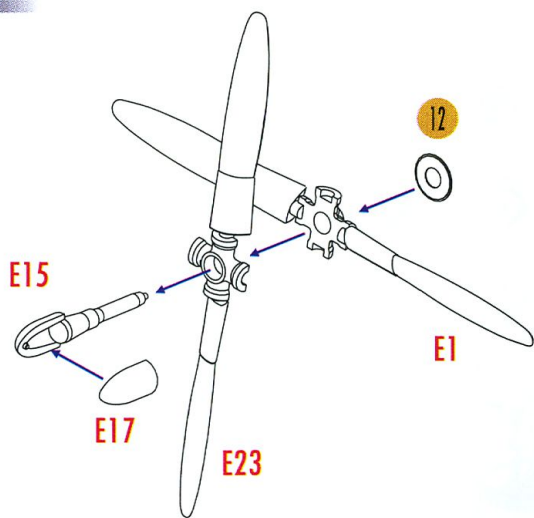




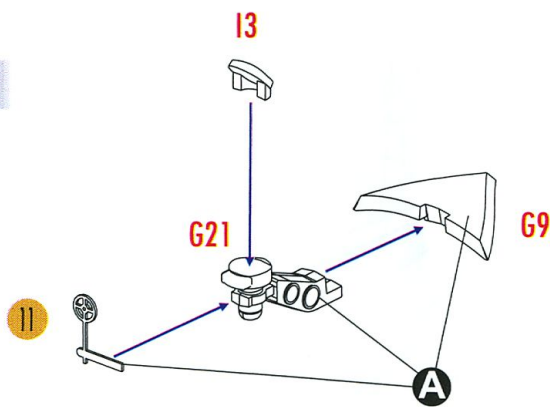
31



32

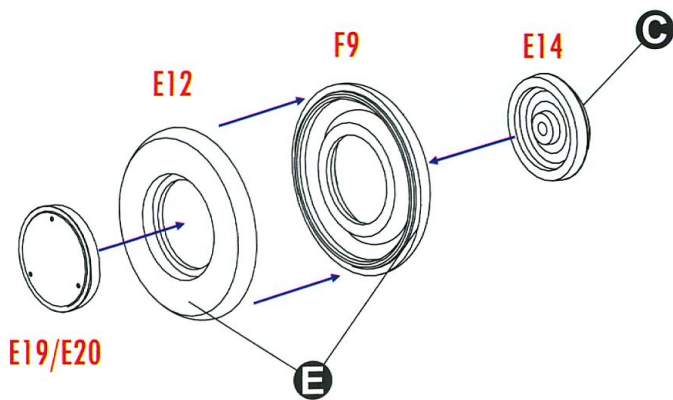


33

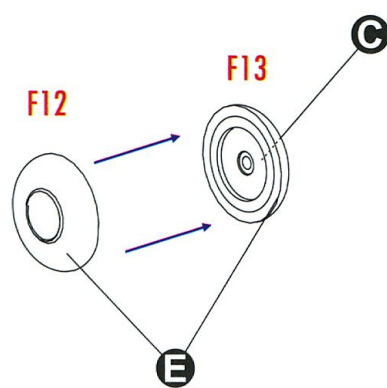


34

x2

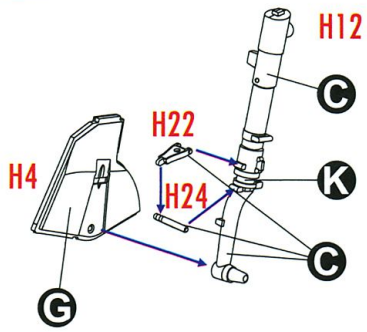


35

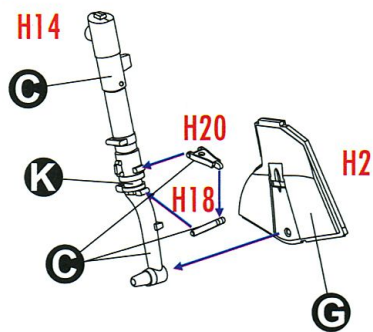




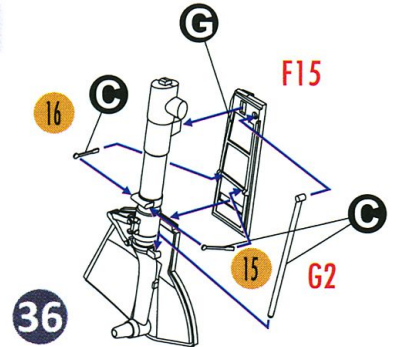
36



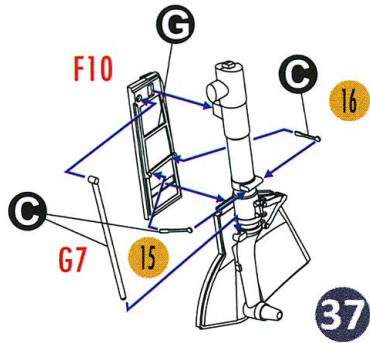
37



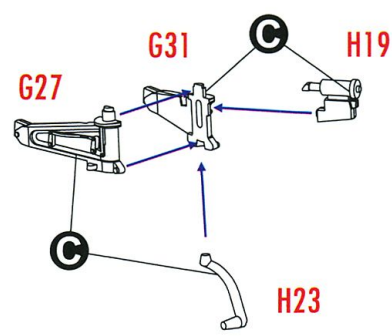
38



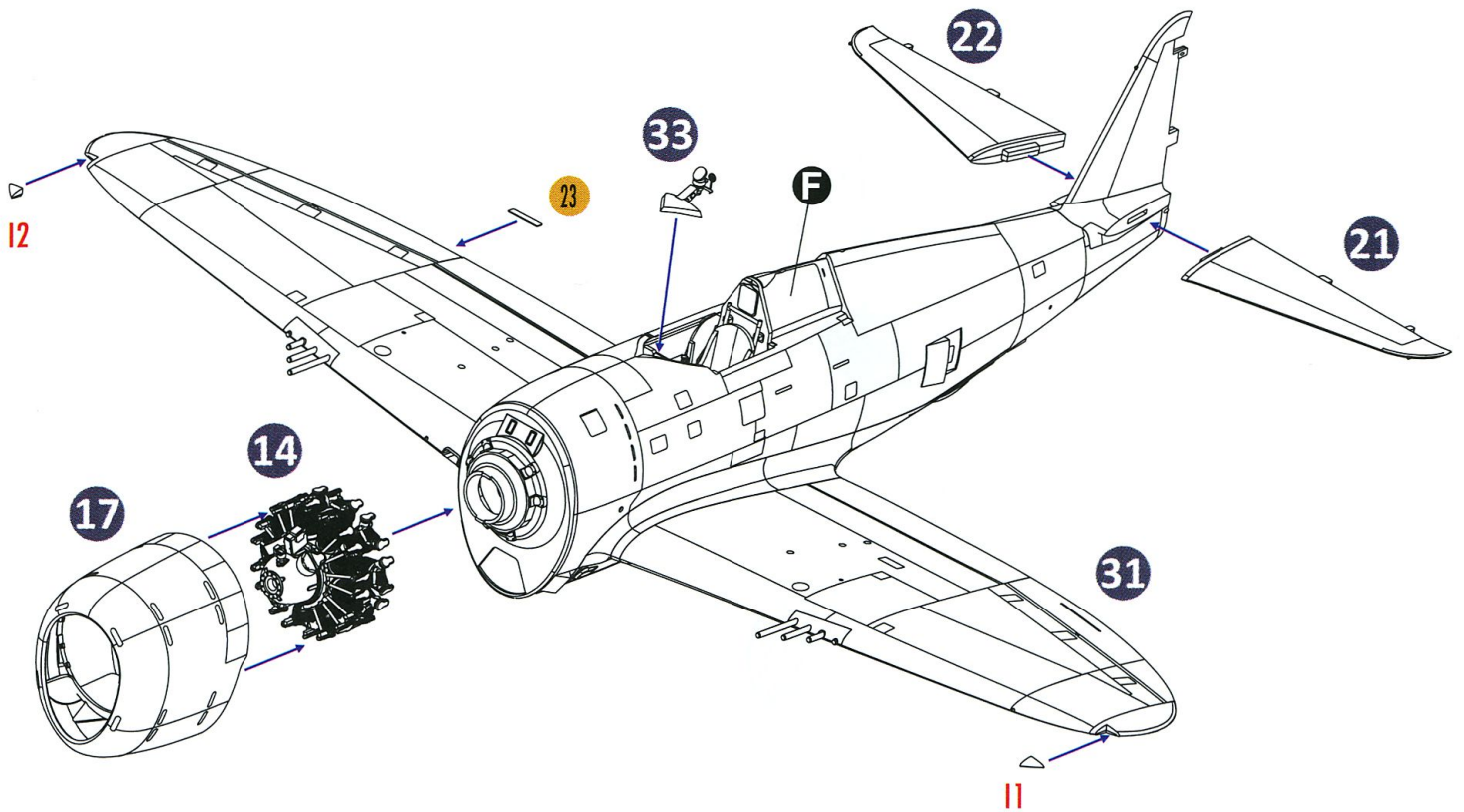
39



40

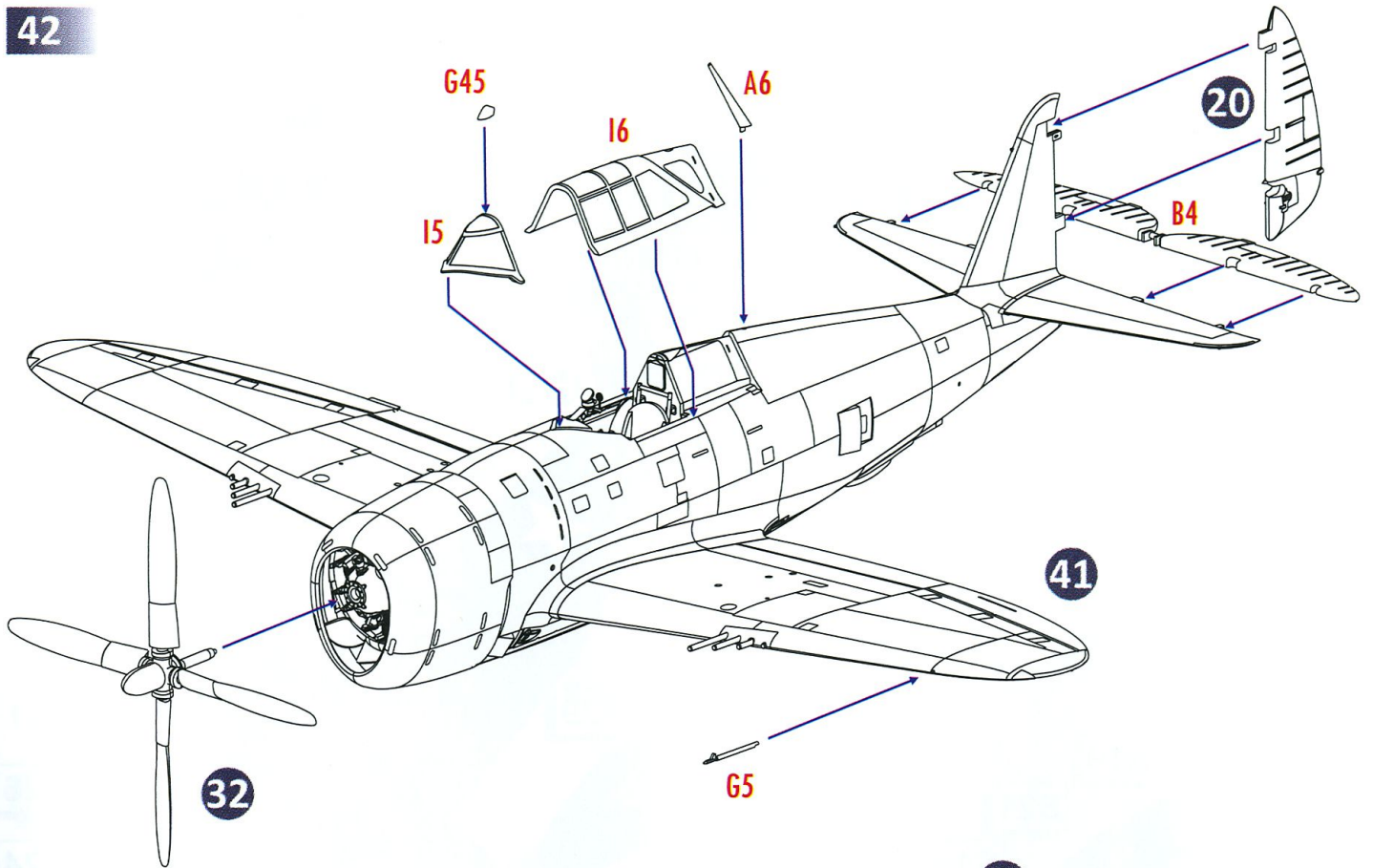


41

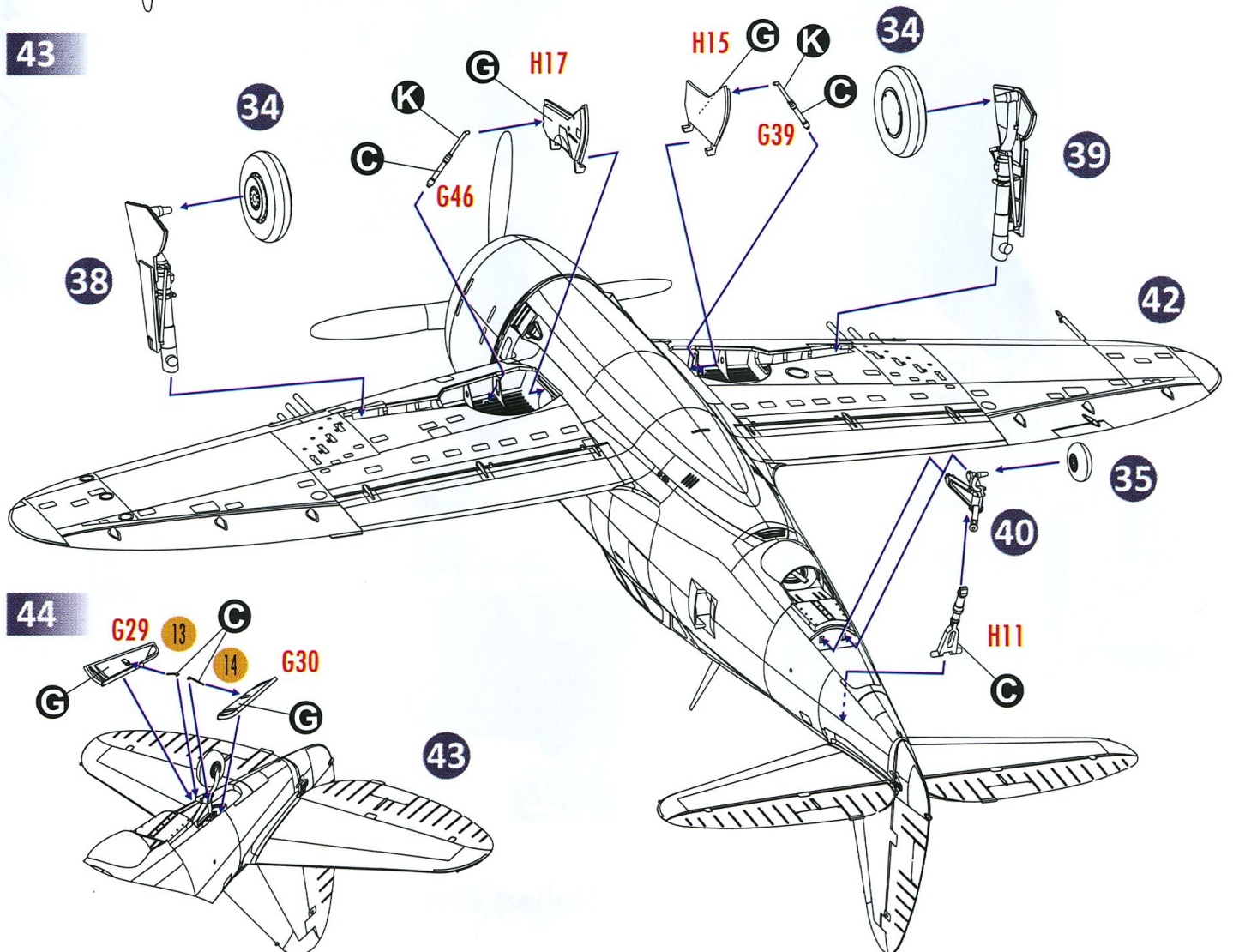




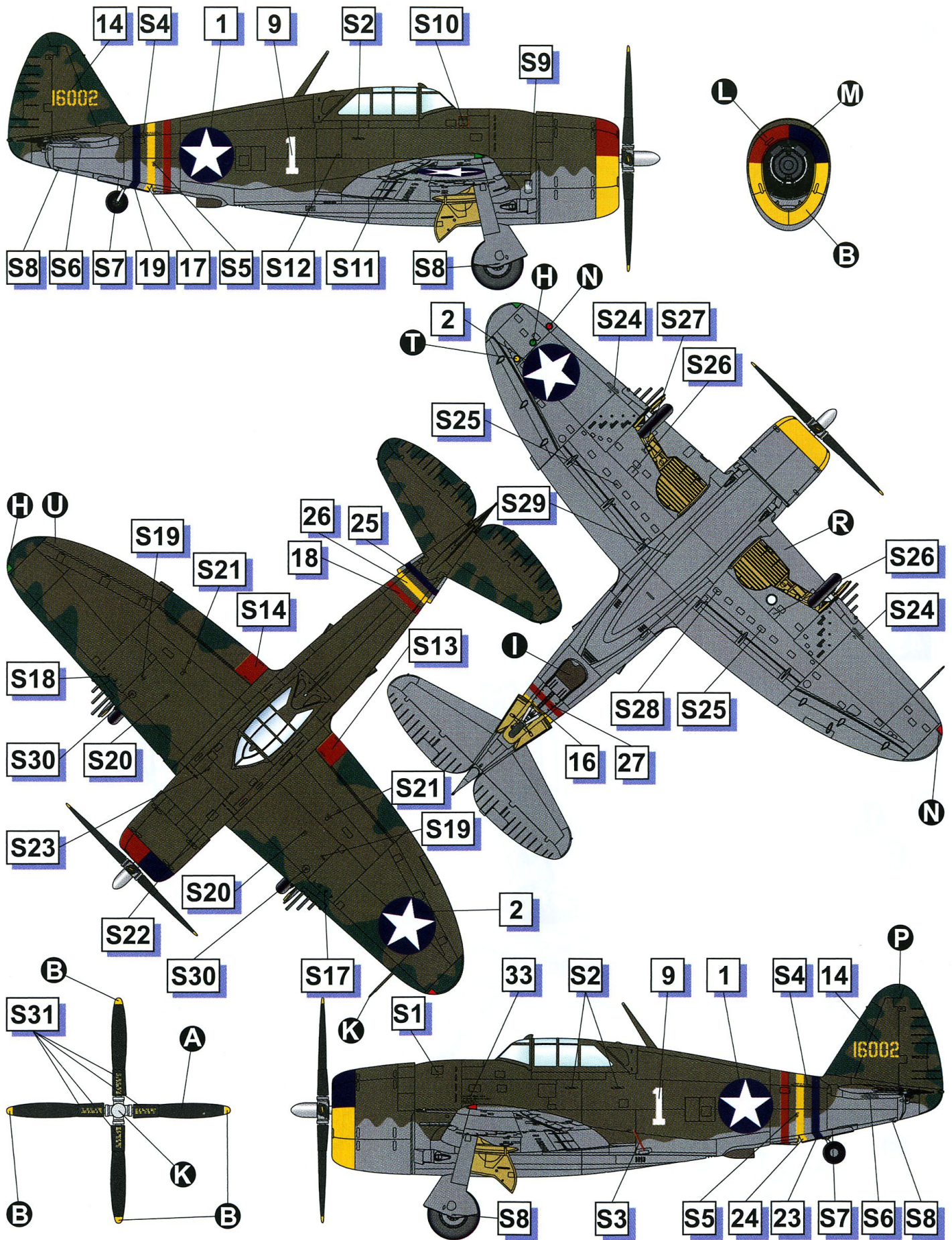
42



43

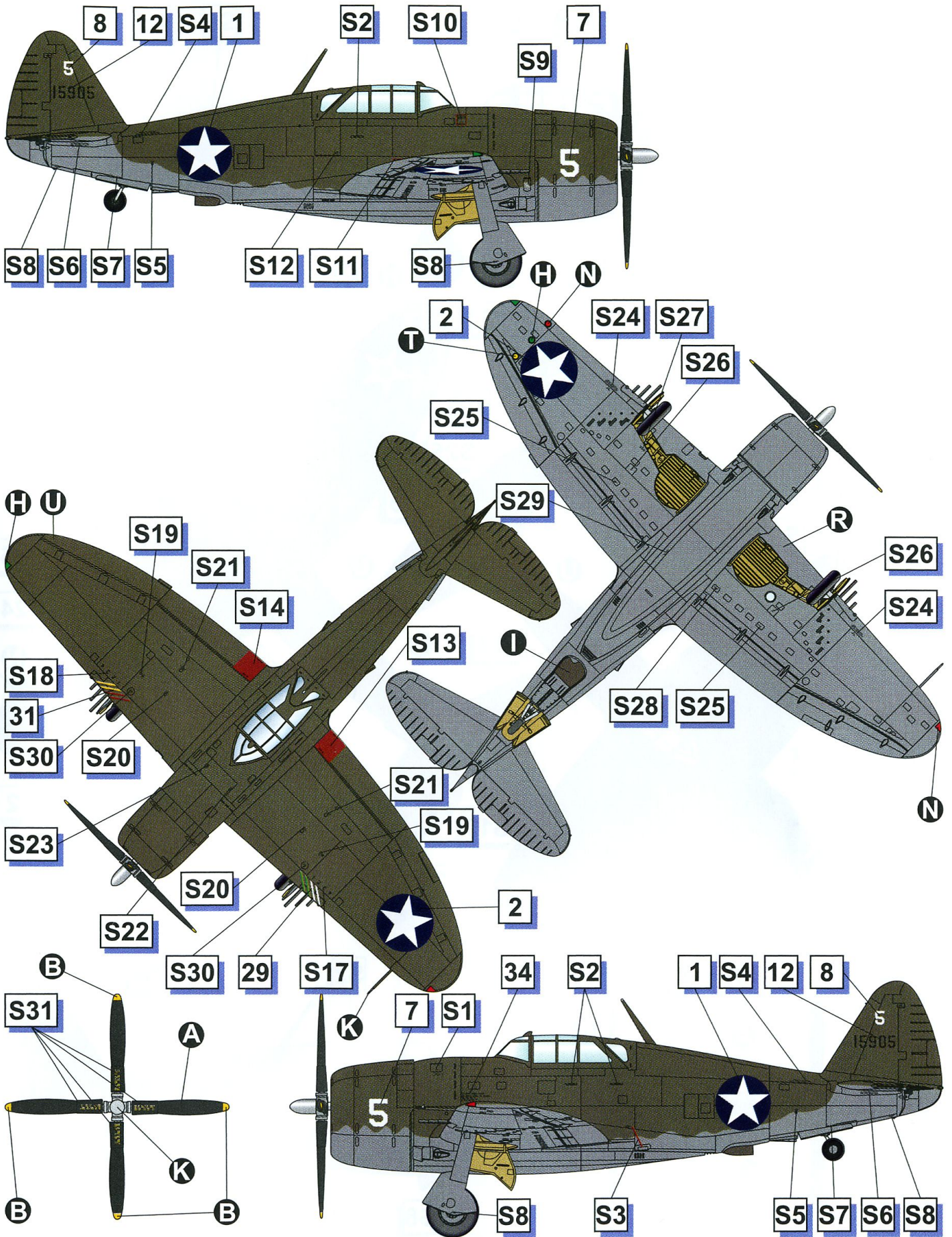






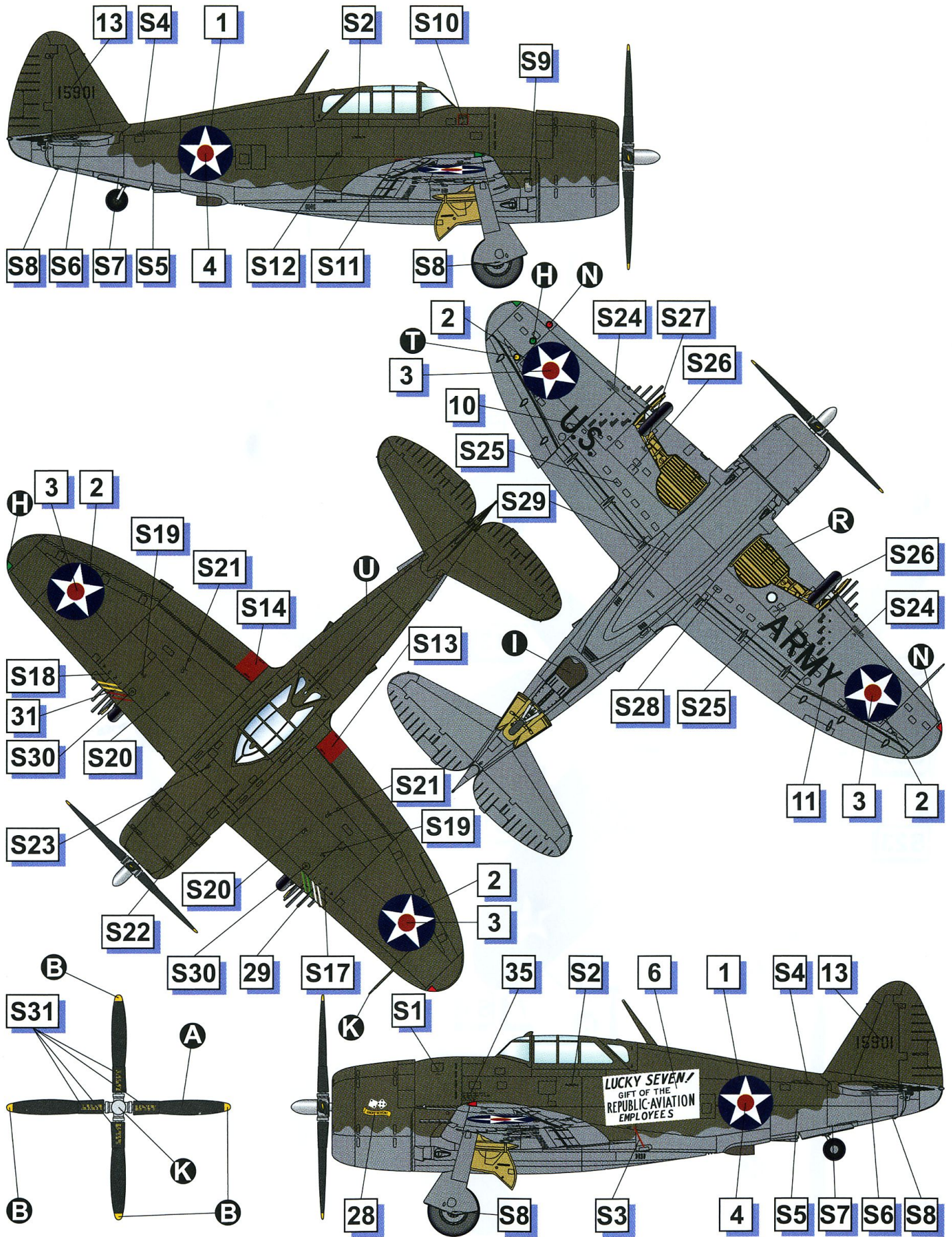
Republic P-47B-RE (41-6002), Colonel Hubert Zemke, 56th FG, Bridgeport, September 1942





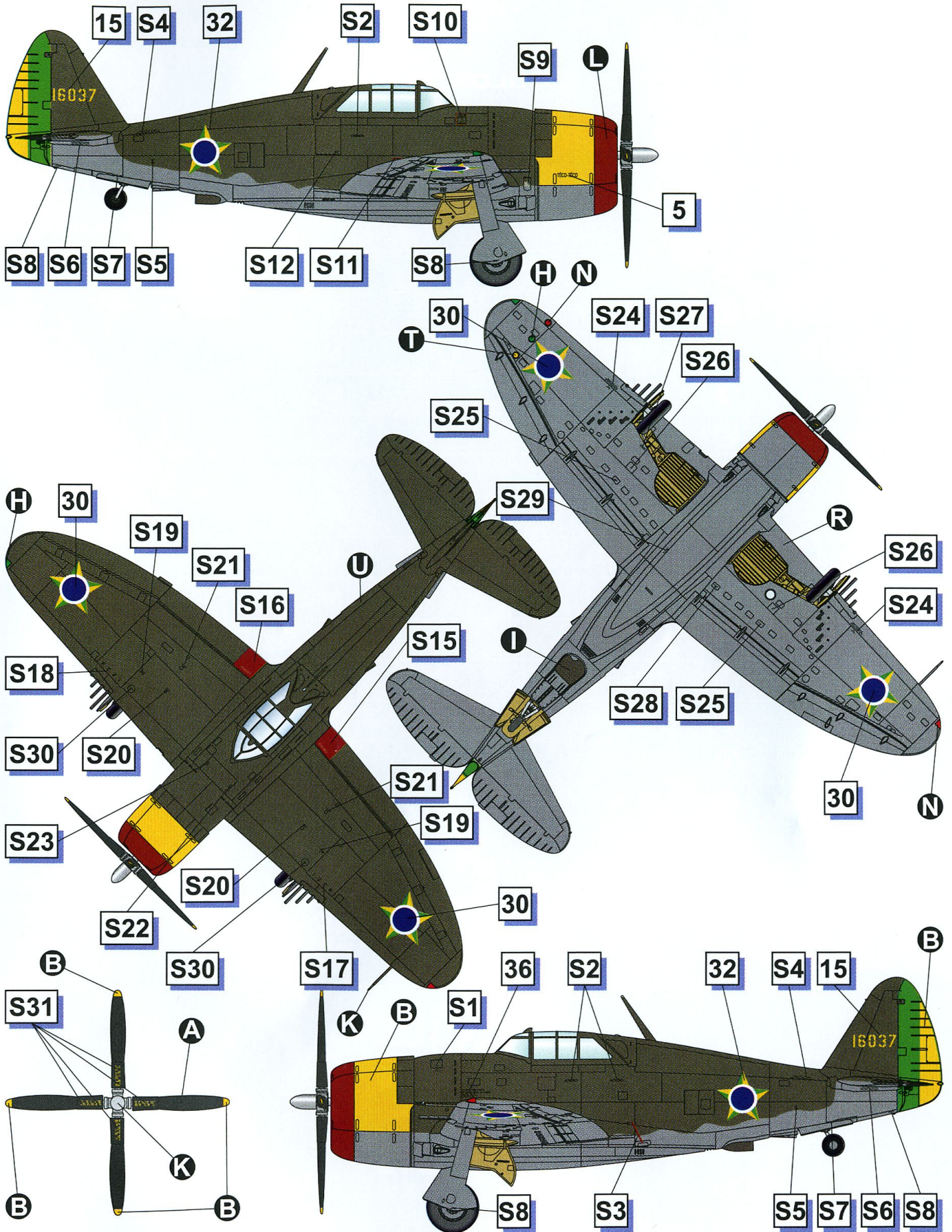
Republic P-47B-RE (41-5905), Wright Field, Ohio





Republic P-47B-RE (41-5901), "Lucky Seven!", the seventh serial P-47





Republic RP-47B-RE (41-6037), 1st Mixed Instruction Group,  
Brazil, October 1944

## P-47B Thunderbolt



## COLOR TABLE

Color Chart		MR. HOBBY	Tamiya	AMMO MIG	Hataka	LIFECOLOR
Black	<b>A</b>	C33/H12	XF-1	MIG 046	HTK 100	LC 02
Yellow	<b>B</b>	C329/H329	X-8		HTK 107	
Aluminium	<b>C</b>	MC 218	XF-16	MIG 194	HTK 078	LC 24
Gun Metal	<b>D</b>	C78/H28	X-10	MIG 045	HTK 106	LC 26
Rubber Black	<b>E</b>	C137/H77	XF-85	MIG 035		UA 733
Interior Green	<b>F</b>	C351/H58		MIG 0220	HTK 211	UA 004
Yellow Chromat	<b>G</b>	C352				
Clear Green	<b>H</b>	C138/H94	XF-25	MIG 092		
Burnt Iron	<b>I</b>	C61/H76	XF-25	MIG 187		LC 37
Signal Red	<b>J</b>	C79/H11	XF-2	MIG 049	HTK-103	LC 56
Polished metal	<b>K</b>	MC 211	XF-56	MIG 0192		
Insignia Red	<b>L</b>	C327/H327		MIG-0121	HTK-219	
Insignia Blue	<b>M</b>	C326/H326	XF-8			
Clear Red	<b>N</b>	C47/H90	XF-27	MIG 093		
Engine Gray	<b>O</b>	C339/H339	XF-2	MIG 0908	HTK 030	UA 030
Medium Green	<b>P</b>	C302/H302	XF-26	MIG 0238	HTK 056	UA 008
Neutral Gray	<b>R</b>	C13/H53		MIG 0239	HTK 033	UA 046
White	<b>S</b>	C62/H11	XF-2	MIG 0047	HTK 101	LC 01
Clear Yellow	<b>T</b>	C48/H91	X-24	MIG-0097		
Olive Drab	<b>U</b>	C38/H78	XF-62	MIG 0237	HTK 004	UA 005



### USED SYMBOLS



CEMENT



DON'T CEMENT



REMOVE



SYMMETRICAL



MULTIPLE



BEND



OPEN WHOLE



VARIANTS



TO PAINT