



**Israel F-16I "SUFA (Storm)" with IDF weapons**











The F-16I is a two-seat variant of the Block 52 developed for the Israeli Defense Force – Air Force (IDF/AF). Israel issued a requirement in September 1997 and selected the F-16 in preference to the F-15I in July 1999. An initial "Peace Marble V" contract was signed on 14 January 2000 with a follow-on contract signed on 19 December 2001, for a total procurement of 102 aircraft. The F-16I, which is called Sufa (Storm) by the IDF/AF, first flew on 23 December 2003, and deliveries to the IDF/AF began on 19 February 2004.

One major deviation of the F-16I from the Block 52 is that approximately 50% of the avionics were replaced by Israeli-developed avionics, such as the Israeli Aerial Towed Decoy replacing the ALE-50 and autonomous aerial combat maneuvering instrumentation, which enables training exercises to be conducted without dependence on ground instrumentation. Elbit Systems produced the aircraft's helmet-mounted sight, head-up display (HUD), mission and presentation computers, and digital map display. The F-16I can employ Python 4 & 5 air-to-air missiles and the Popeye & Spice AGM's, and often uses Israel Aerospace Industries (IAI)'s removable conformal fuel tanks (CFT) for extended range. Key American-sourced systems include the F100-PW-229 turbofan engine and the APG-68(V)9 radar.





**CAUTION**

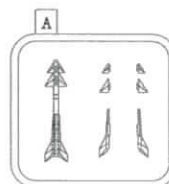
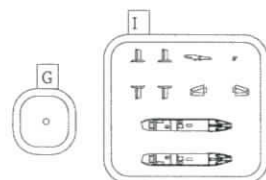
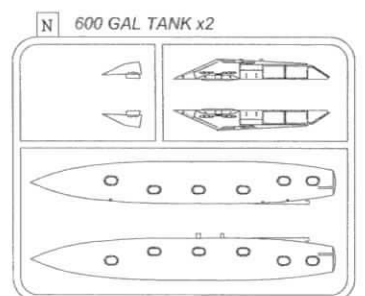
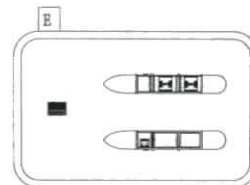
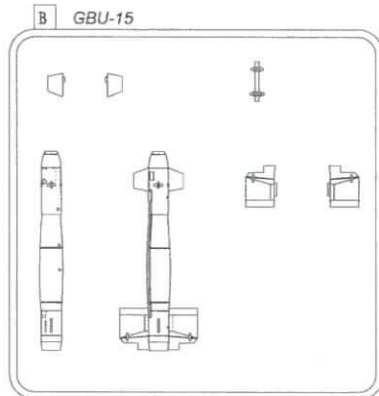
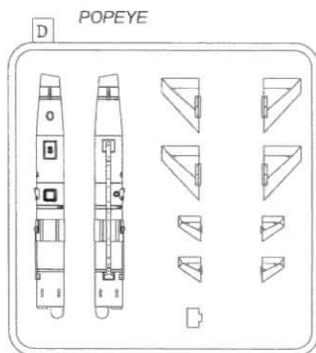
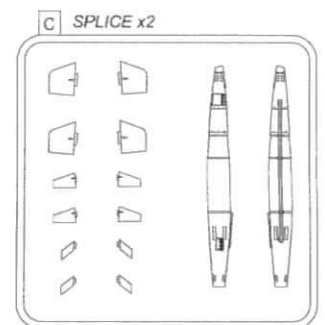
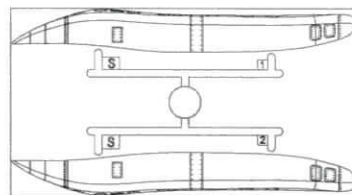
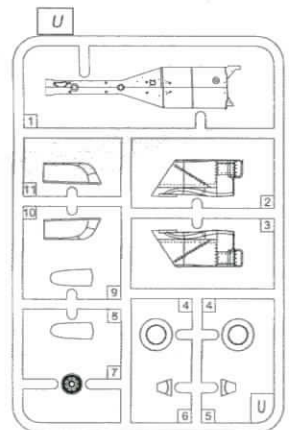
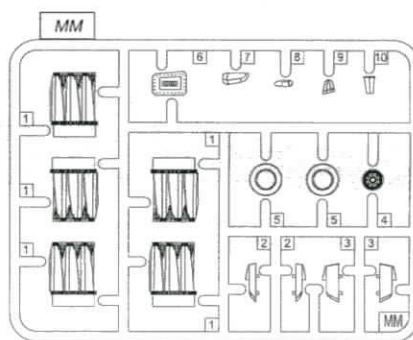
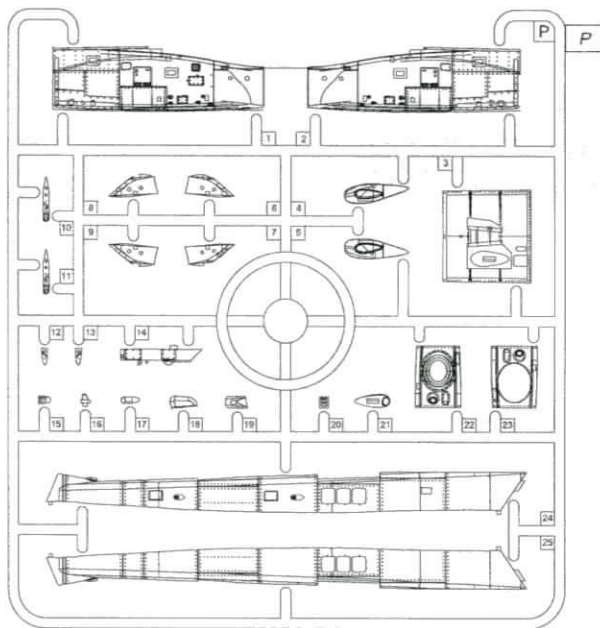
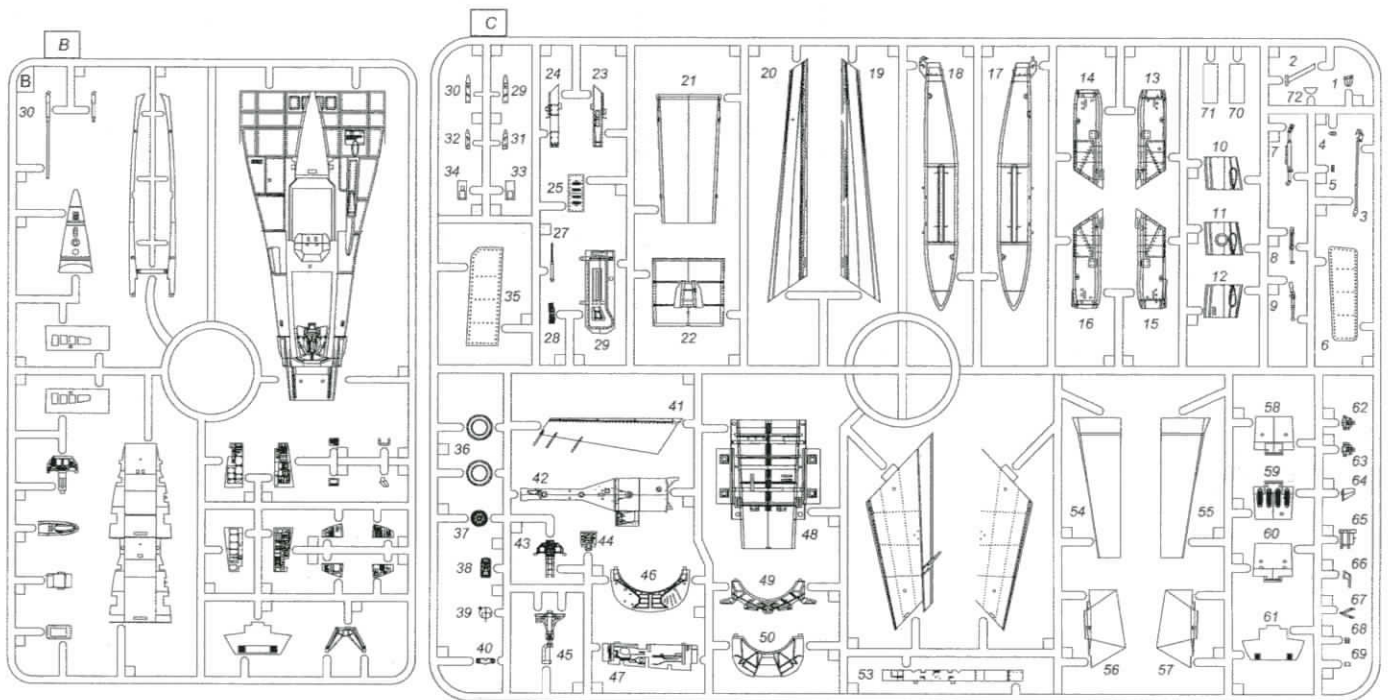
- \*Read carefully and fully understand the instructions before commencing assembly.
- \*Keep out of reach of children. Children must not be allowed to put any parts in their mouths, or pull plastic bag over their heads.
- \*When using adhesives and paints, please make sure not to use them in closed room or near the fire.
- \*When assembling this kit, tools including knives are used. Extra care should be taken to avoid injury.

**WARNING: CONTAIN SMALL PARTS NOT FOR CHILDREN UNDER 14 YEARS OF AGE.**

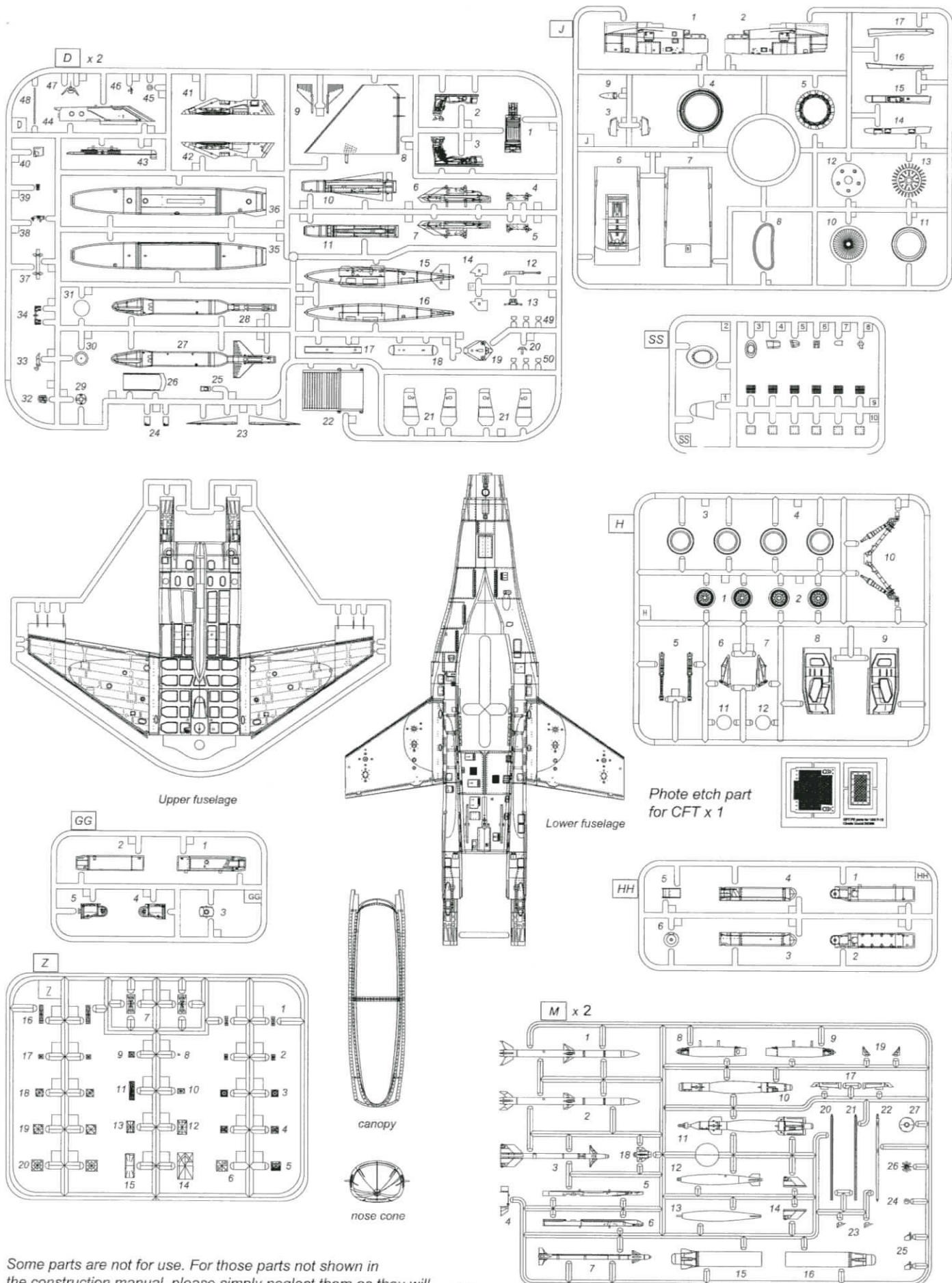
									
Drill	Remove	2 Set	Bend	Optional	Decal	Super Glue	Fill Hole	No Cement	Be Careful

**TOOLS RECOMMENDED**

<b>Cement</b> 	<b>Side Cutter</b> 	<b>Modeling Knife</b> 
		<b>Tweezers</b> 







Some parts are not for use. For those parts not shown in the construction manual, please simply neglect them as they will not be used for building this model.

# 1/48 SCALE AIRCRAFT SERIES NO: K48085

## AFTERMARKET SERVICES CARD

When requesting replacement parts, please take or send this form to your local dealer so that the parts required can be correctly identified. Please note that specifications and availability are subject to change without notice. Or visit <http://www.kineticmodel.com> for latest information. For more information, please contact [services@kineticmodel.com](mailto:services@kineticmodel.com)

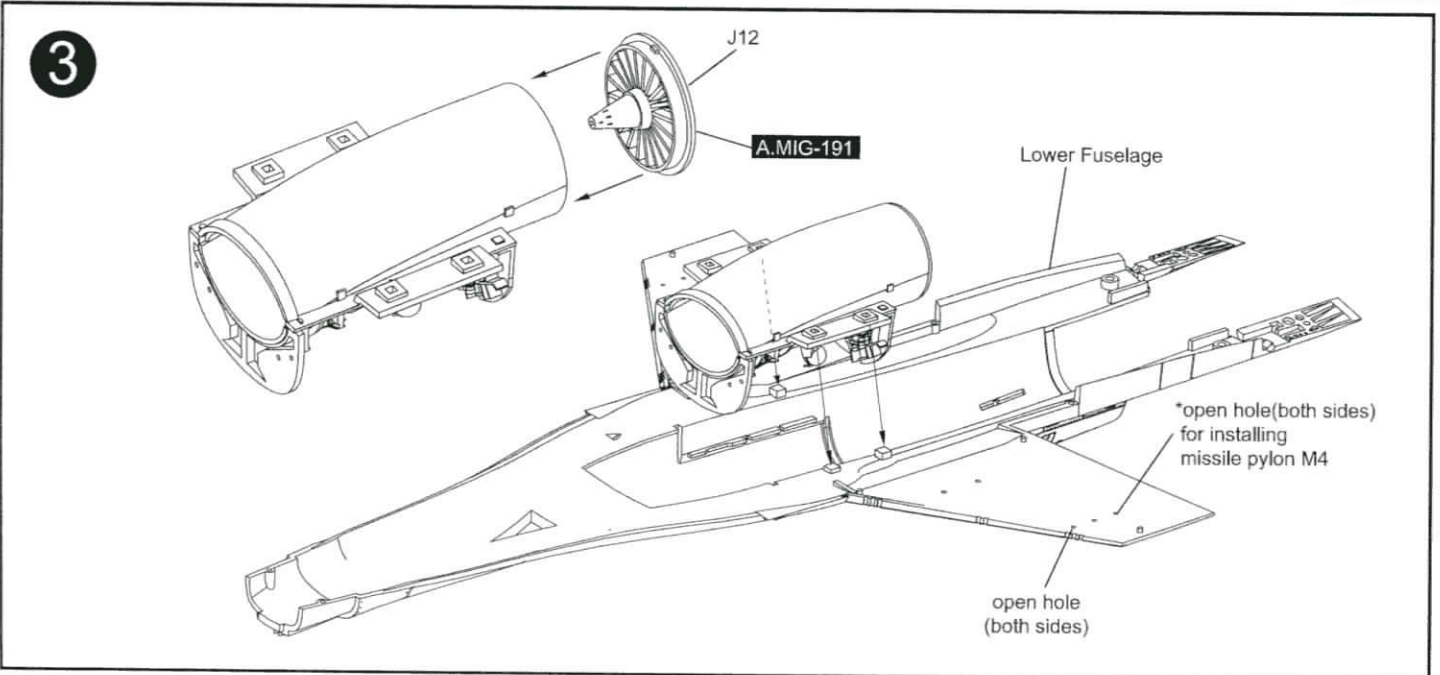
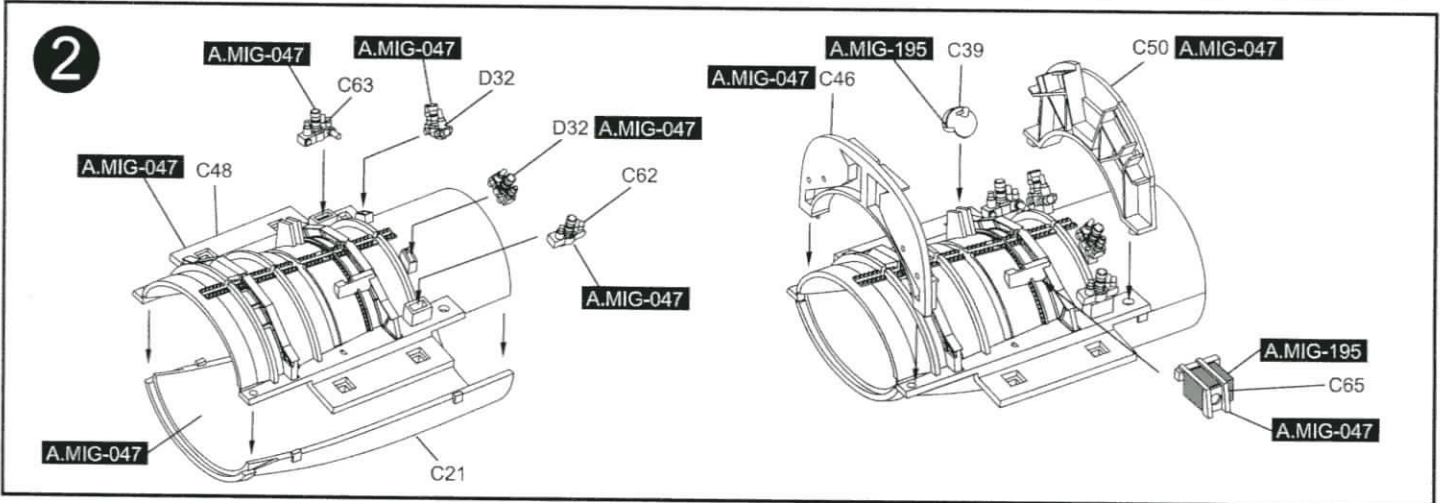
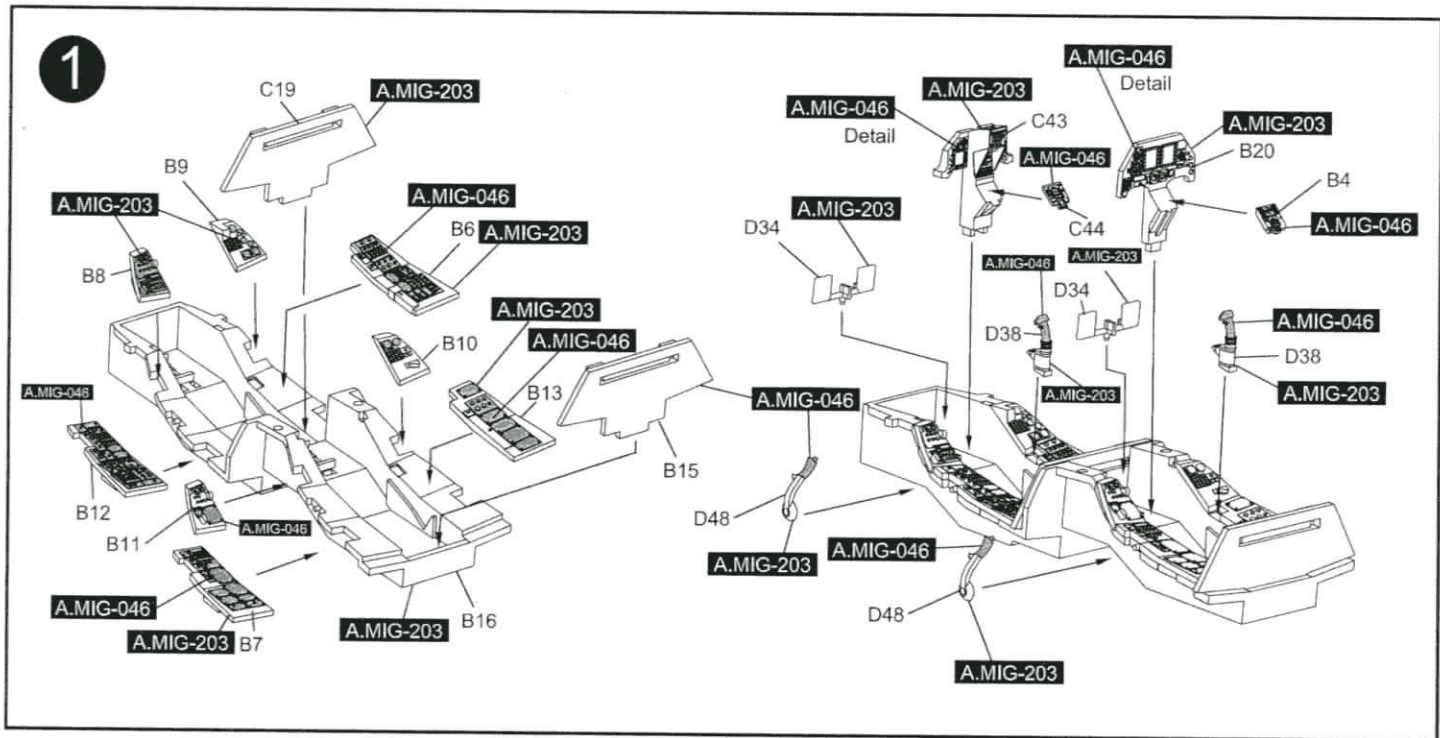
Part Code	K48085	Qty	Item	Part Code	K48085	Qty	Item
00-100-012	F-16 TWO SEATER FRONT PARTS B	1	B	00-100-043	DORSAL SPINE PARTS	1	SS
00-100-013	F-16 MAIN PARTS 0207 - PARTS C	1	C	00-100-044	F-16I LOWER FUSELAGE PARTS	1	U
00-100-014	F-16 PARTS - 370 GAL FUEL TANK (PARTS D)	2	D	00-100-045	NSI NEW ENGINE	1	MM
00-100-018	F-16 BLOCK 40/50 LANDING GEEAR PARTS H	1	H	00-100-046	CFT PARTS (DOUBLE SEATER)	1	S1,S2
00-100-020	NSI INTAKE - PARTS J	1	J	00-100-047	F-16I MAIN PARTS	1	P
00-100-021	WEAPON SET (AIM-9x,9M,120B/C,GBU-12) PARTS M	2	M	00-103-001	PYTHON-4	2	A
00-100-022	CLEAR PARTS FOR F-16 - PARTS Z	1	Z	00-103-002	GBU-15	2	B
00-100-030	LARTIN POD PARTS GG	1	GG	00-103-003	SPICE	2	C
00-100-031	AAQ-13/AAQ-14 PARTS HH	1	HH	00-103-004	POPEYE	2	D
00-100-034	UPPER BACK FUESLAGE TYPE (C/D) PARTS C/D	1		00-103-005	CLEAR PARTS FOR GBU-15,SPICE, AGM-142	2	
00-100-035	F-16 NOSE STANDARD	1		00-103-007	CLEAR PARTS FOR DELIAH	2	
00-100-037	F-16 TWO SEATER CANOPY	1		00-103-008	AXQ-14	2	E
00-100-040	F-16 LOWER FUESLAGE	1		00-103-012	800GAL FUEL TANK	2	
00-103-013	DELIHEI MISSILE	2	I	01-100-005	DECAL F-16I SUFA FOR #48006	1	Decal
01-100-001	F-16 STENCIL DECAL	1	Decal	01-200-001	1/48 IDF WEAPON SET #1 STENCIL	1	
06-100-061	PE FOR CFT	1	PE	01-200-002	1/48 IDF WEAPON SET #2 STENCIL	1	



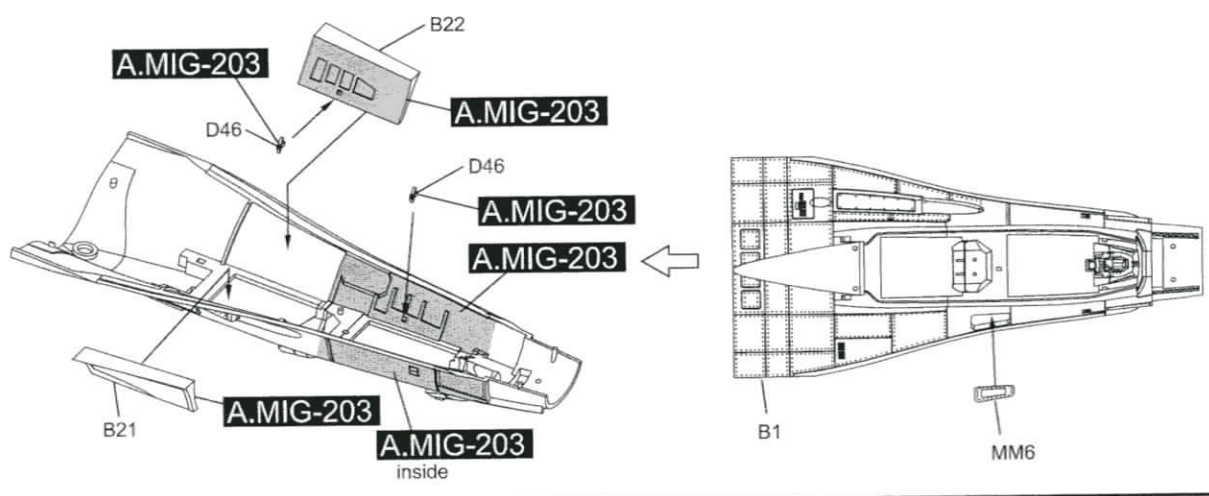
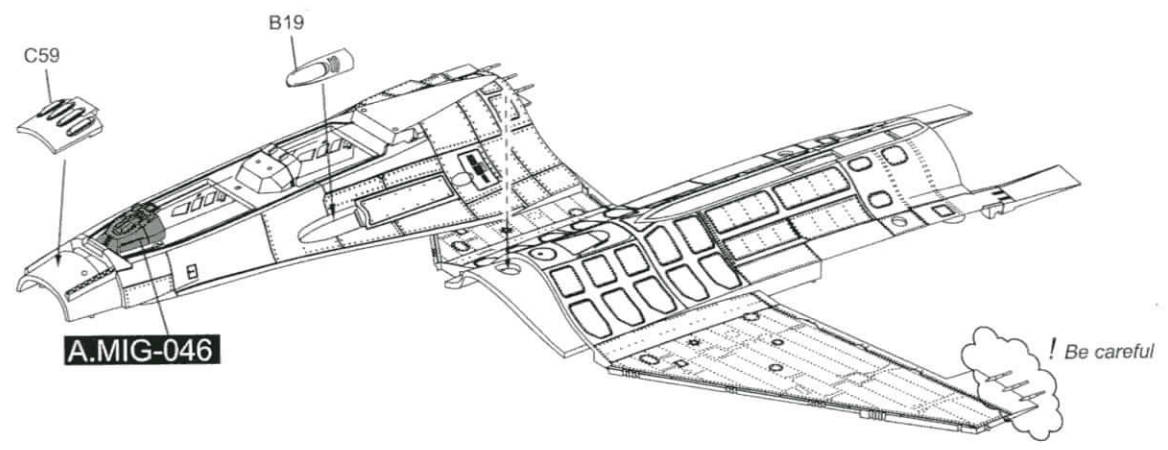
COLOR	AMMO MIG	VALLEJO MODEL COLOR	GSI CREOS MR. COLOR	TAMIYA ENAMEL/ACRYLIC	HUMBROL ENAMEL
BLACK	A.MIG-032	70.861	2	X-18	85
GUN METAL	A.MIG-045	70.863	78	LP-40	201
MATT BALCK	A.MIG-046	71.057	33	XF-1	33
SATIN WHITE	A.MIG-047	70.842	1	X-2	22
YELLOW	A.MIG-048	71.002	4	XF-3	24
BLUE	A.MIG-086	70.844	323	X-4	25
CRYSTAL RED	A.MIG-093	70.934	47	X-27	220
CRYSTAL BLUE	A.MIG-098	70.938	50	X-23	-
CRYSTAL LIGHT BLUE	A.MIG-187	71.073	61	XF-4	-
STEEL	A.MIG-191	70.864	28	-	27003
SILVER	A.MIG-195	71.063	8	X-11	11
GOLD	A.MIG-198	70.996	9	X-12	16
FS 33531	A.MIG-200	-	313	-	-
FS 30219	A.MIG-202	70.843	310	XF-59	118
GHOST GRAY FS 36375	A.MIG-203	70.990	308	-	-
GUNSHIP GRAY	A.MIG-204	71.047	305	XF-77	125
RLM 81 - FS 34079 - BS641	A.MIG-206	70.893	330	-	-
FS 36320	A.MIG-208	71.120	307	-	128
FS 36270	A.MIG-211	71.275	306	-	126
FS 23070	A.MIG-237	71.016	12	XF-62	-
CLEAR YELLOW	-	-	48	X-24	-
GREEN FS35622	-	-	314	-	-

For Color Profile, please go to [www.kineticmodel.com](http://www.kineticmodel.com) for download (type the kit# and go for manual/painting guide)

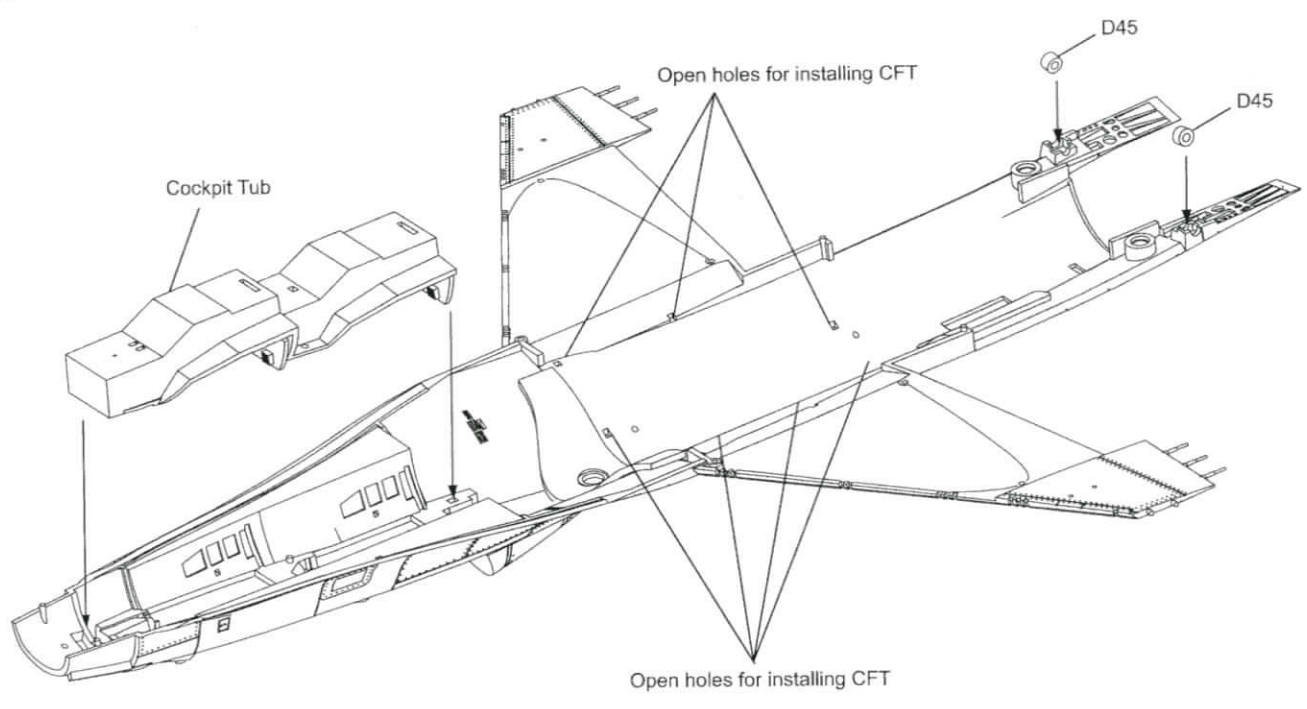




4

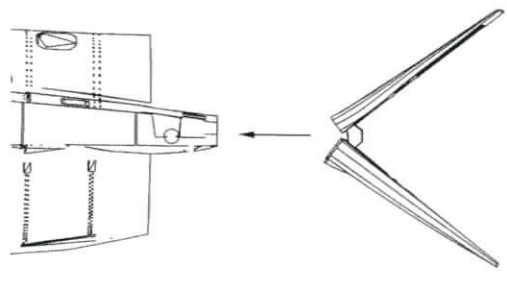
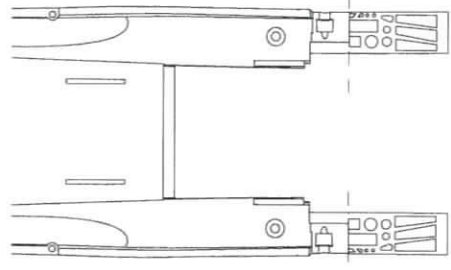
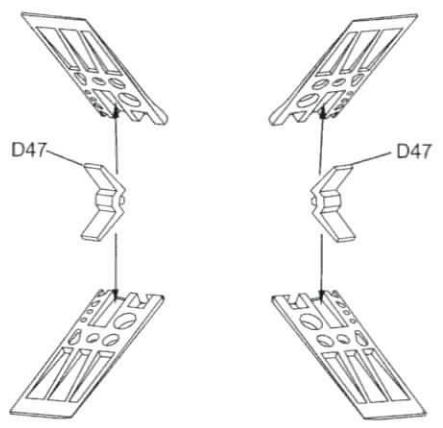
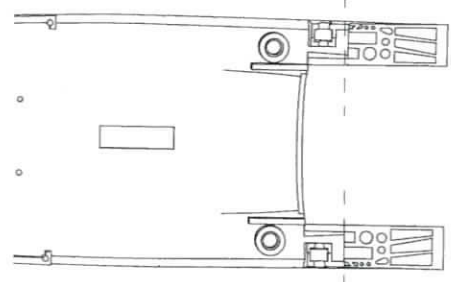


5



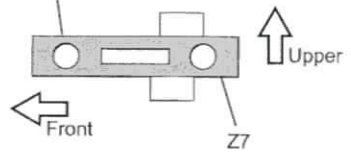
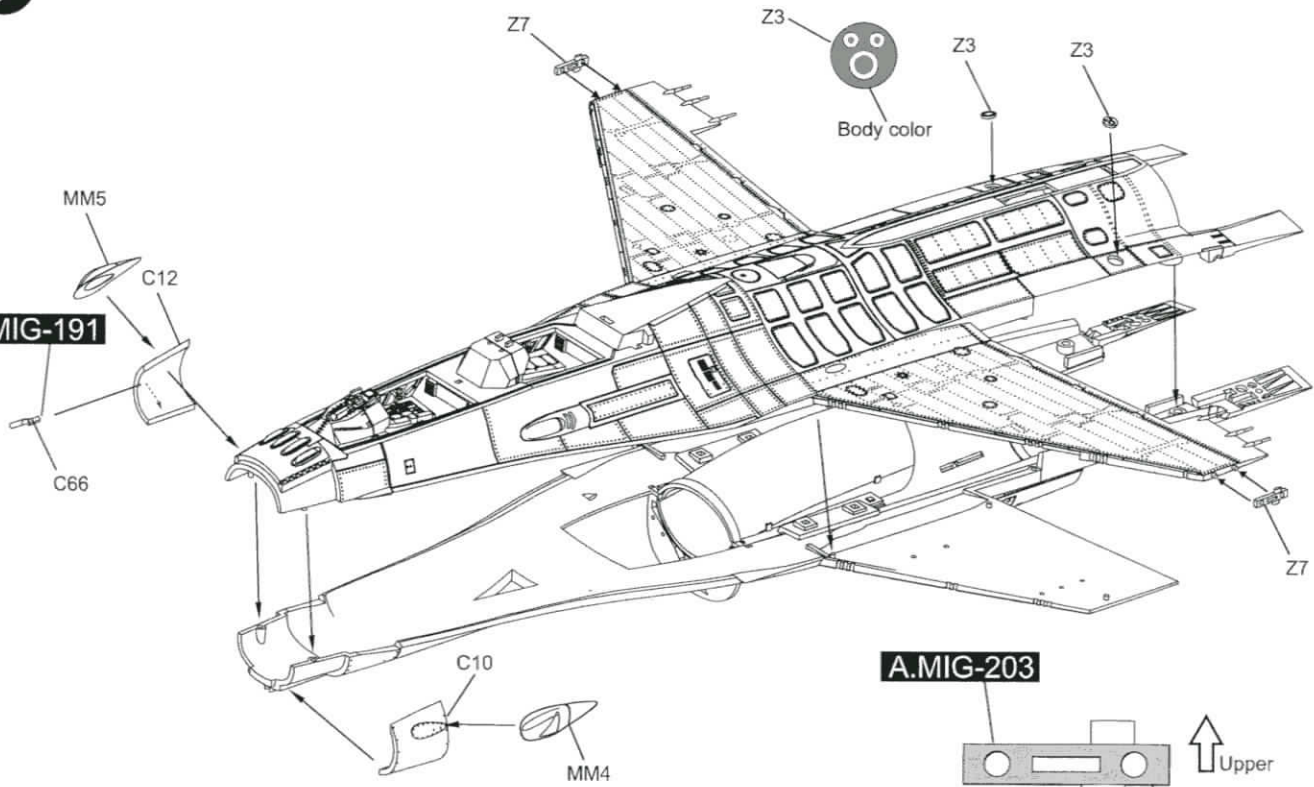
6

Cut along the lines for open air brake



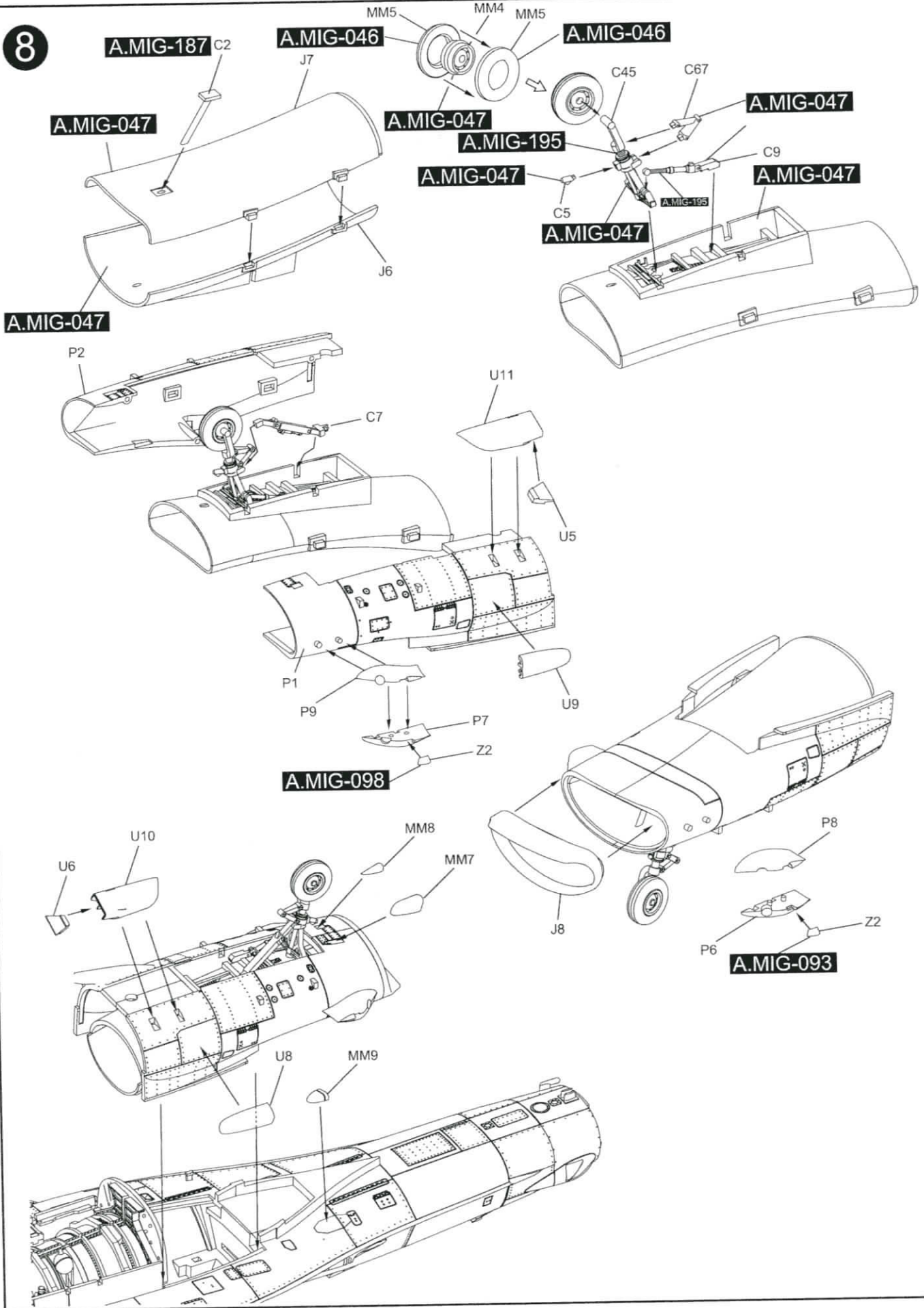
7

A.MIG-191

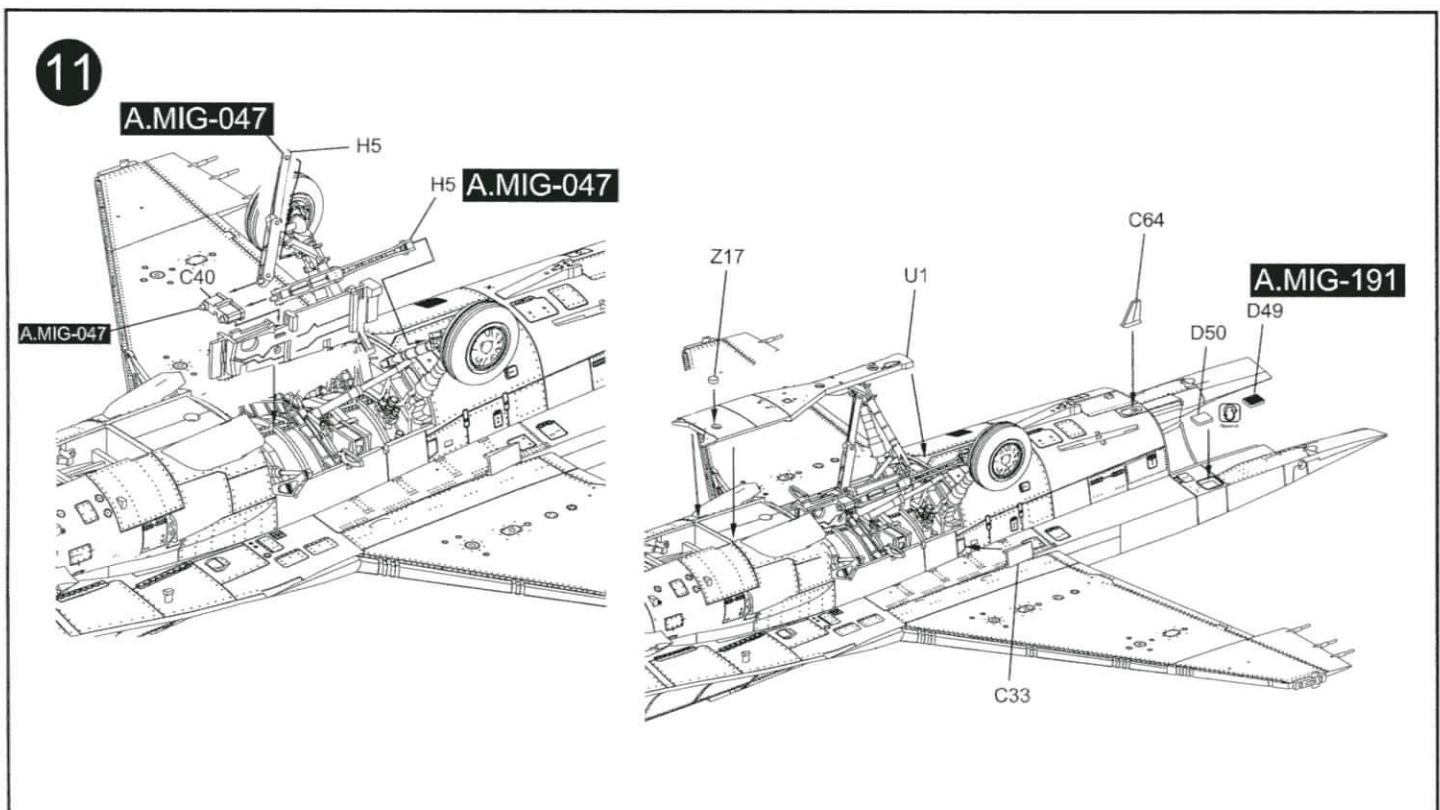
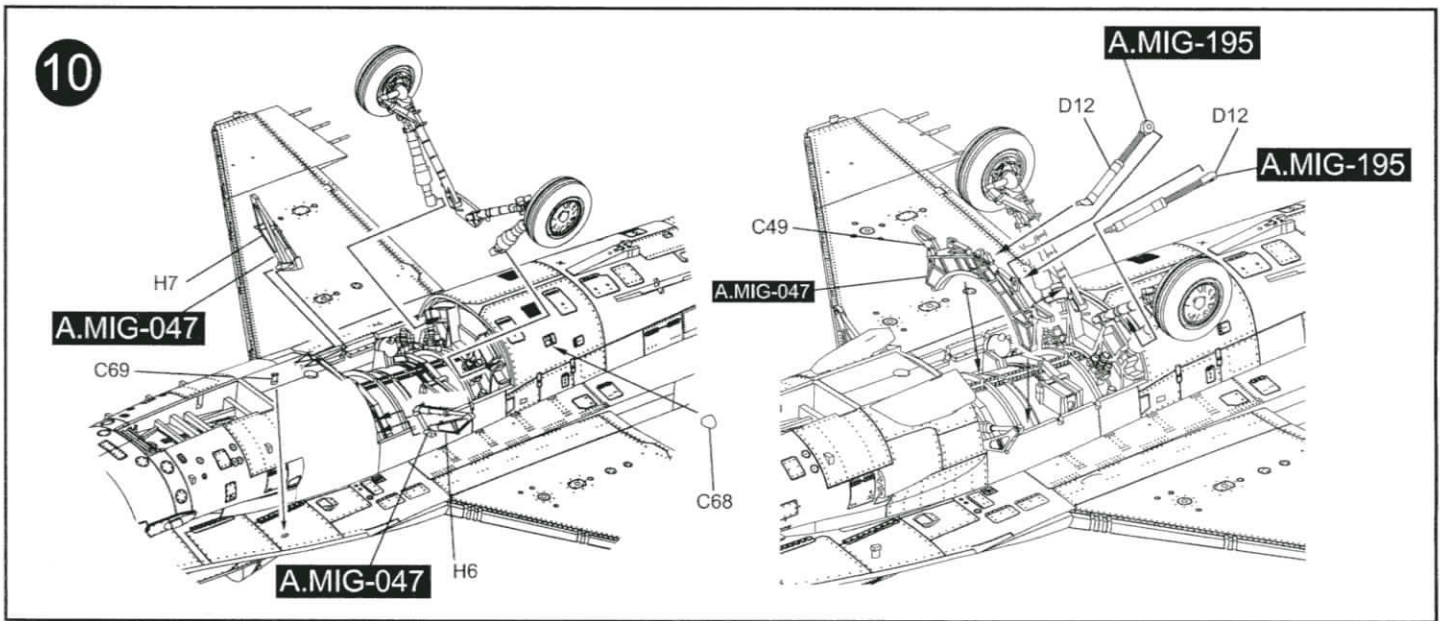
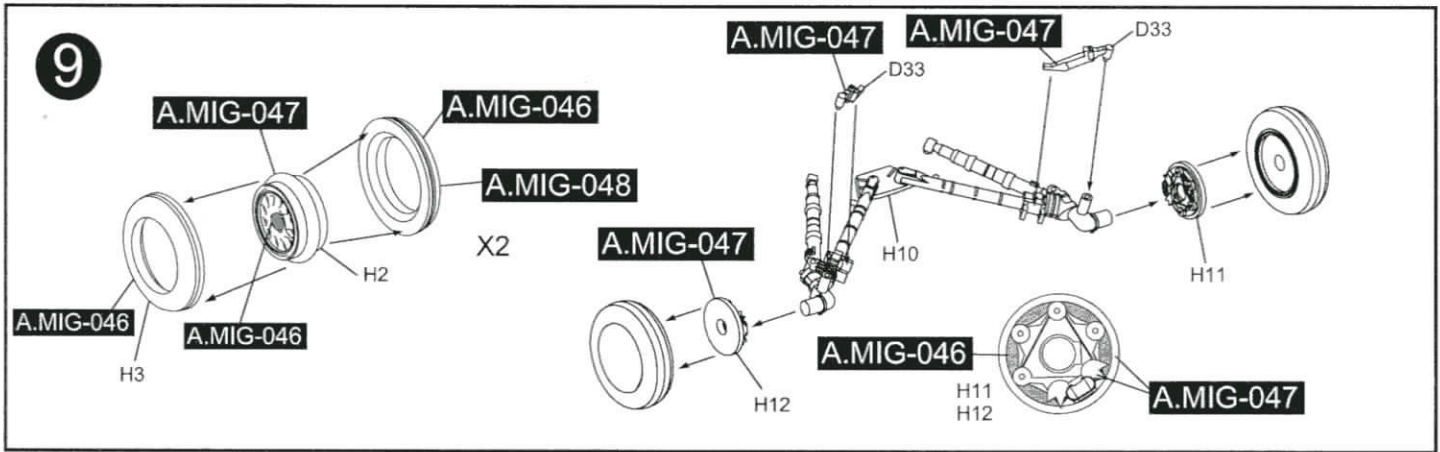




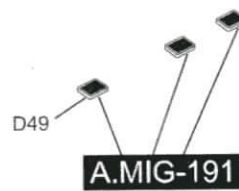
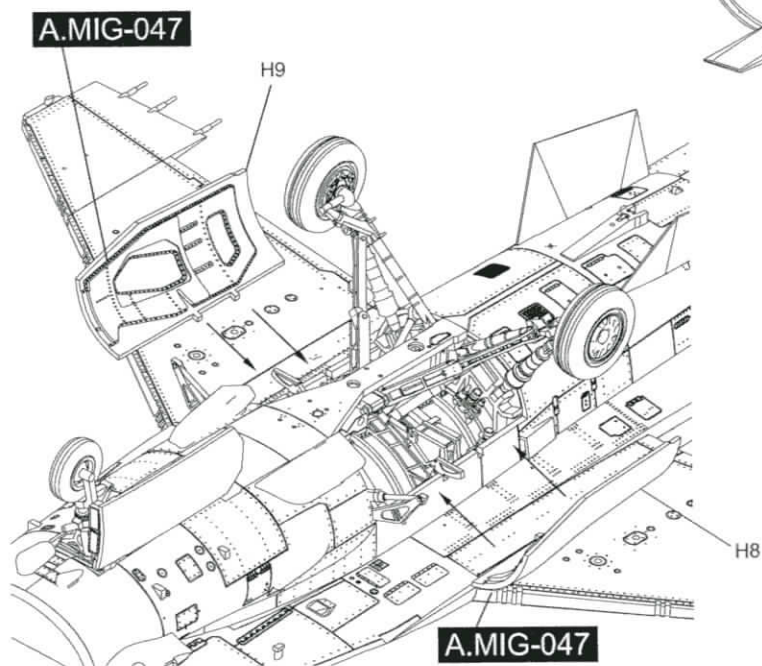
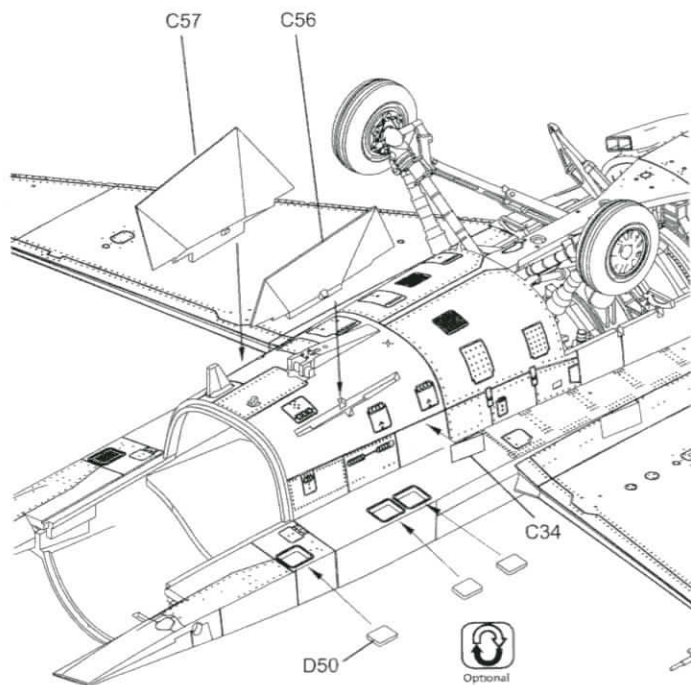
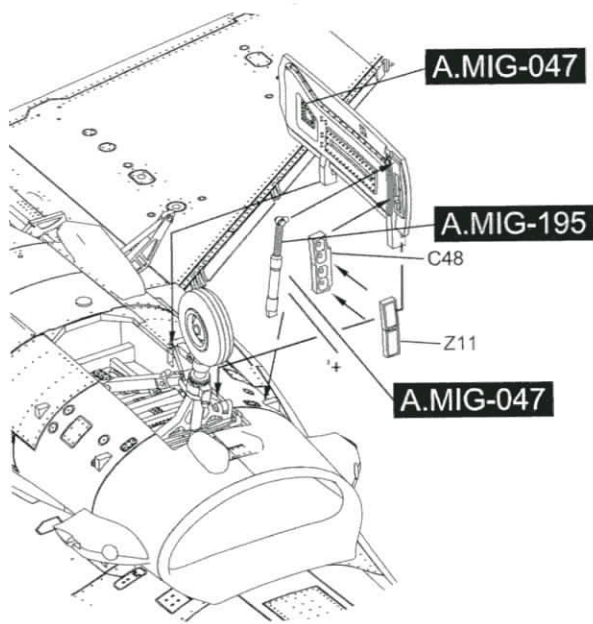
8





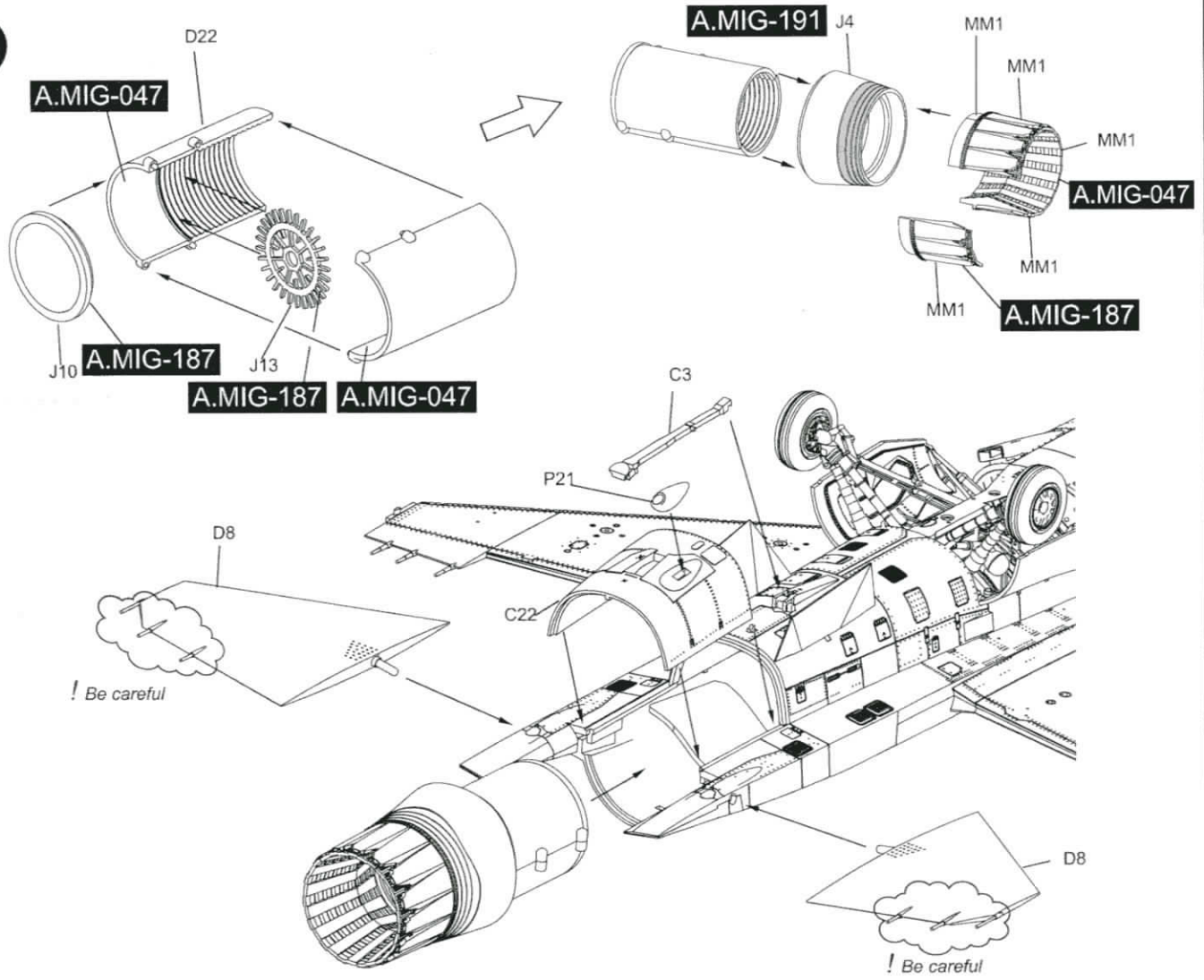


12

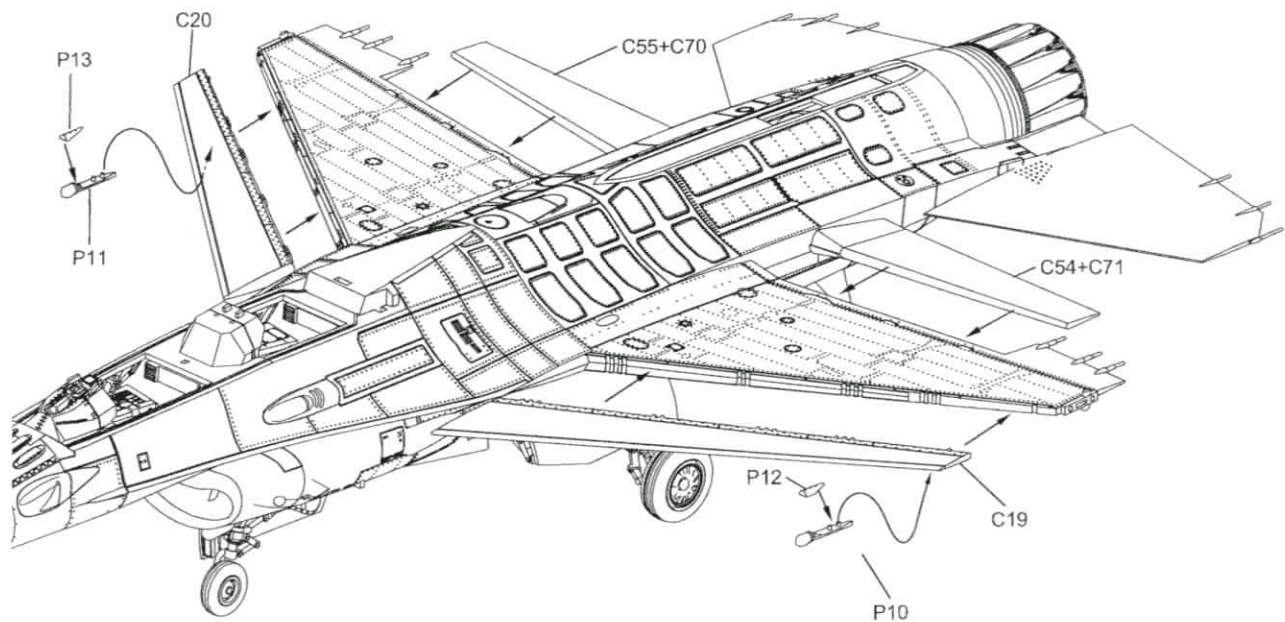




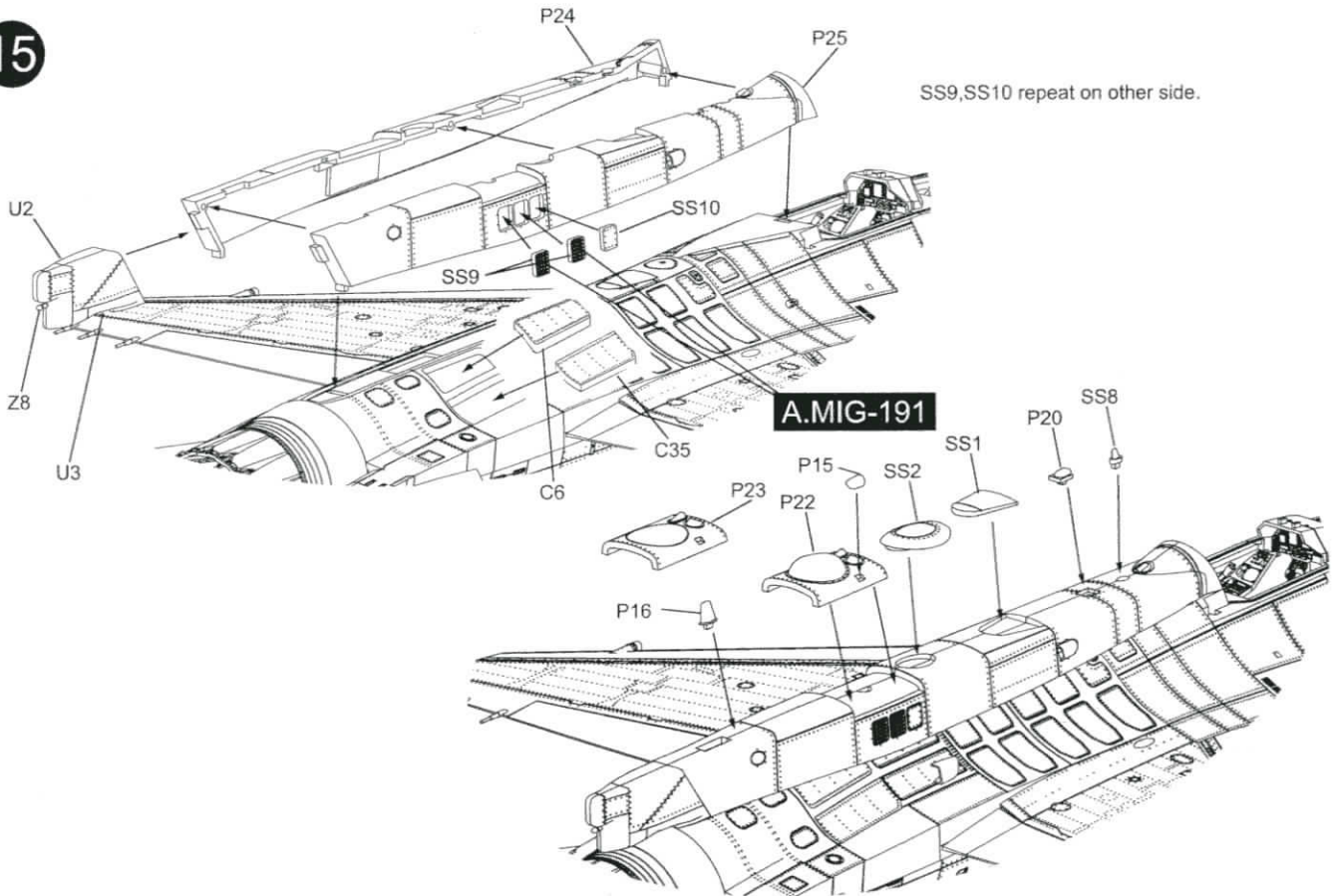
13



14



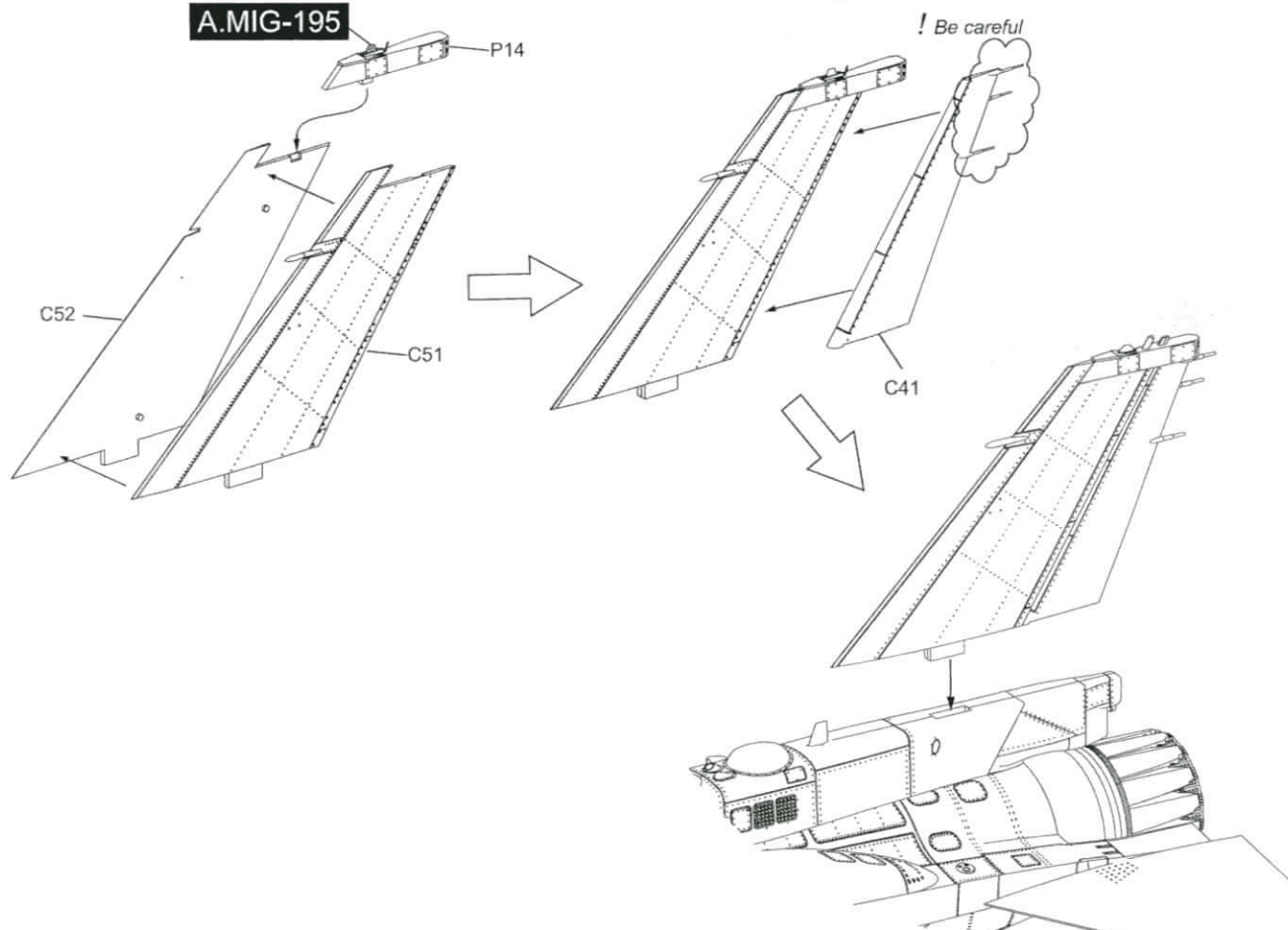
15



SS9,SS10 repeat on other side.

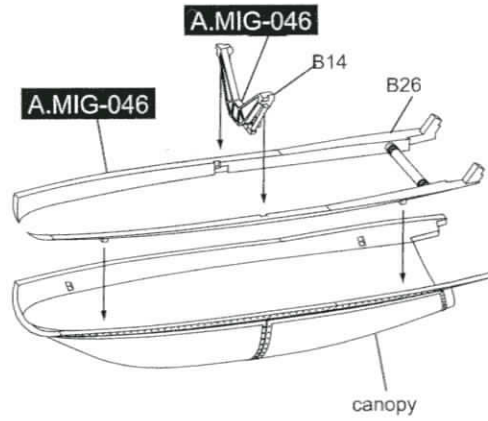
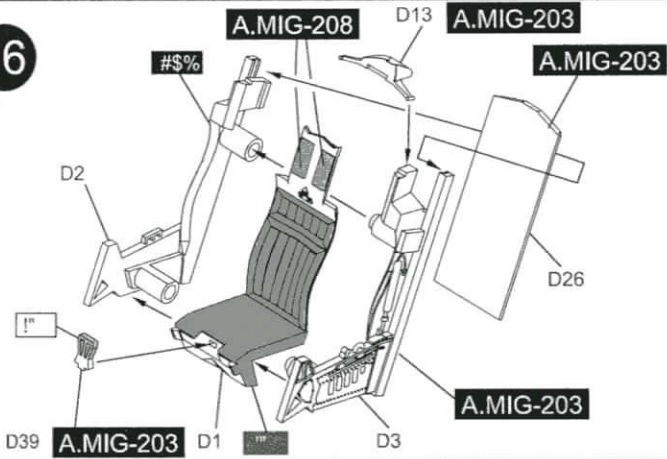
**A.MIG-191**

**A.MIG-195**

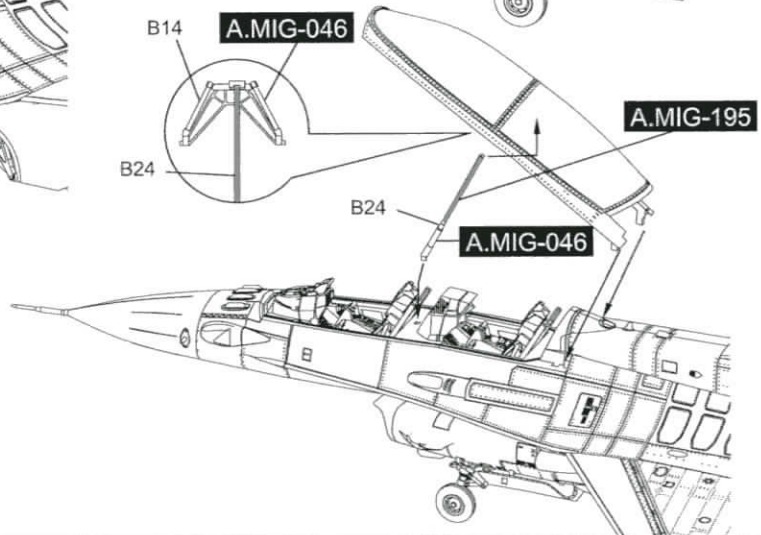
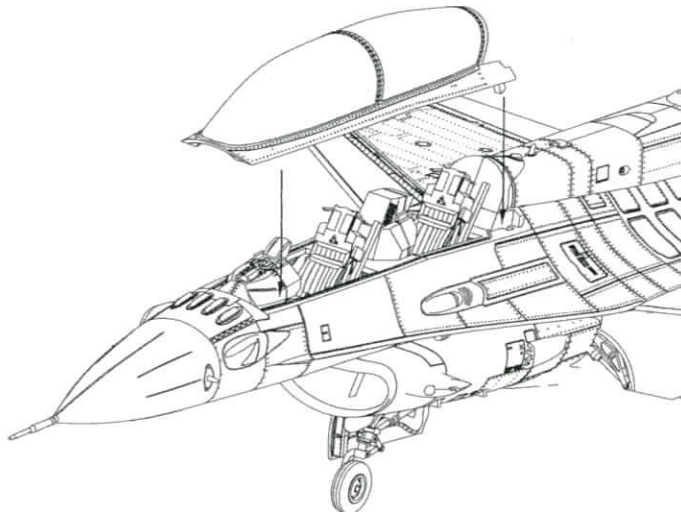
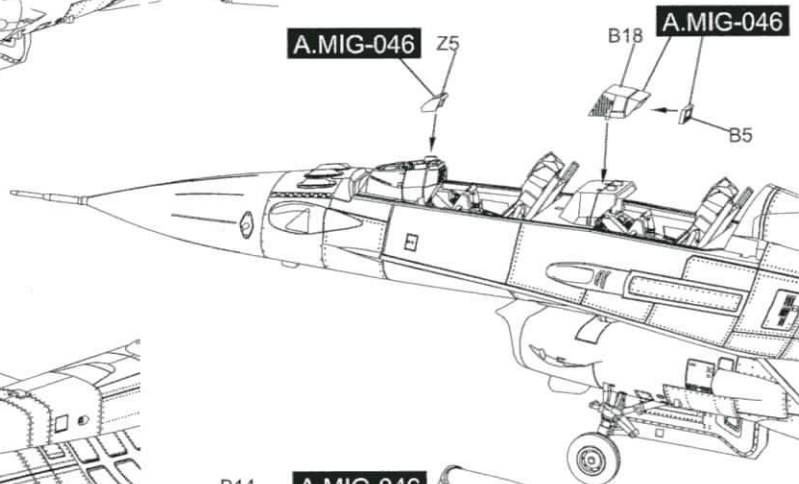
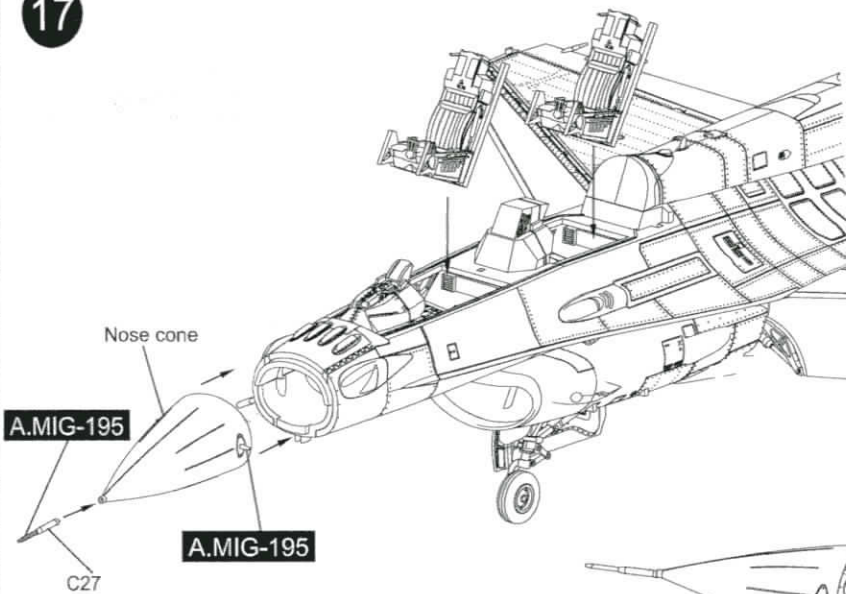




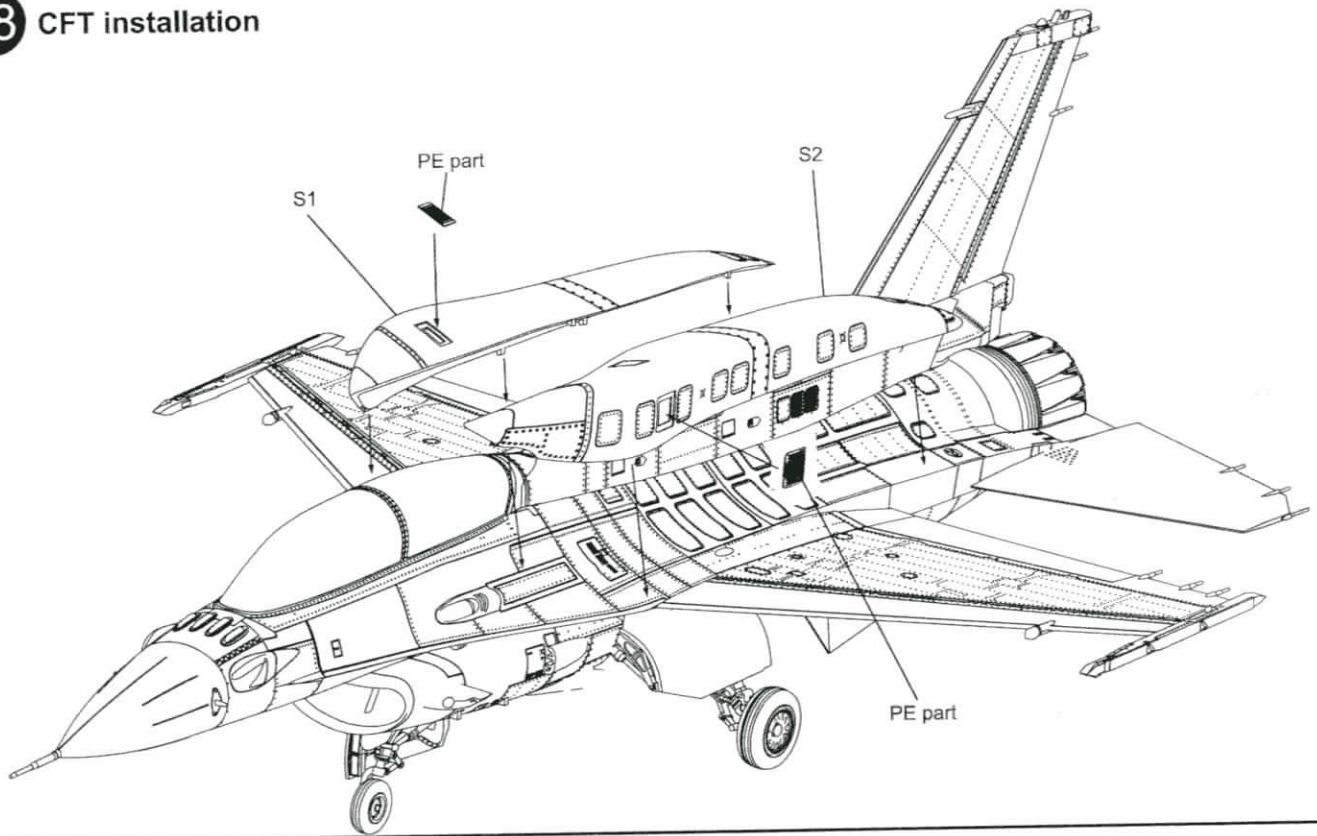
16



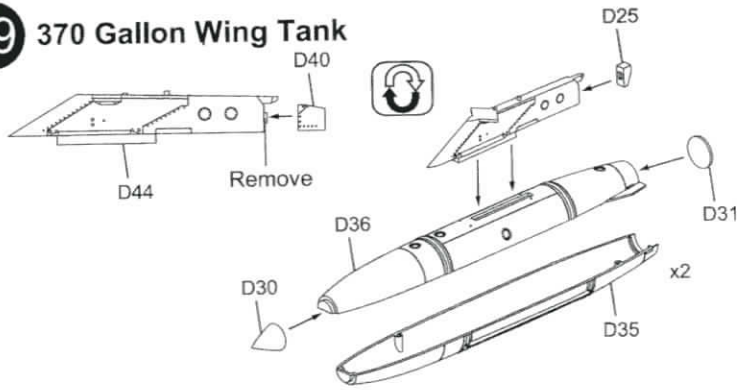
17



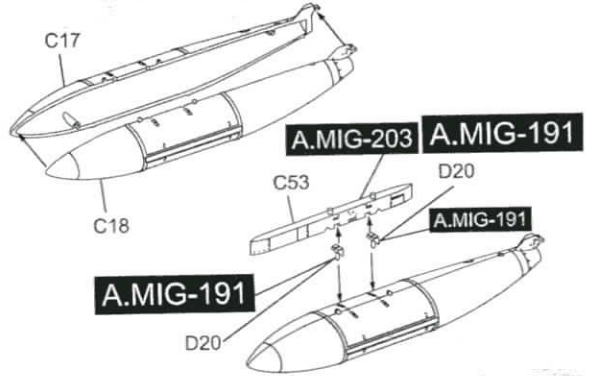
# 18 CFT installation



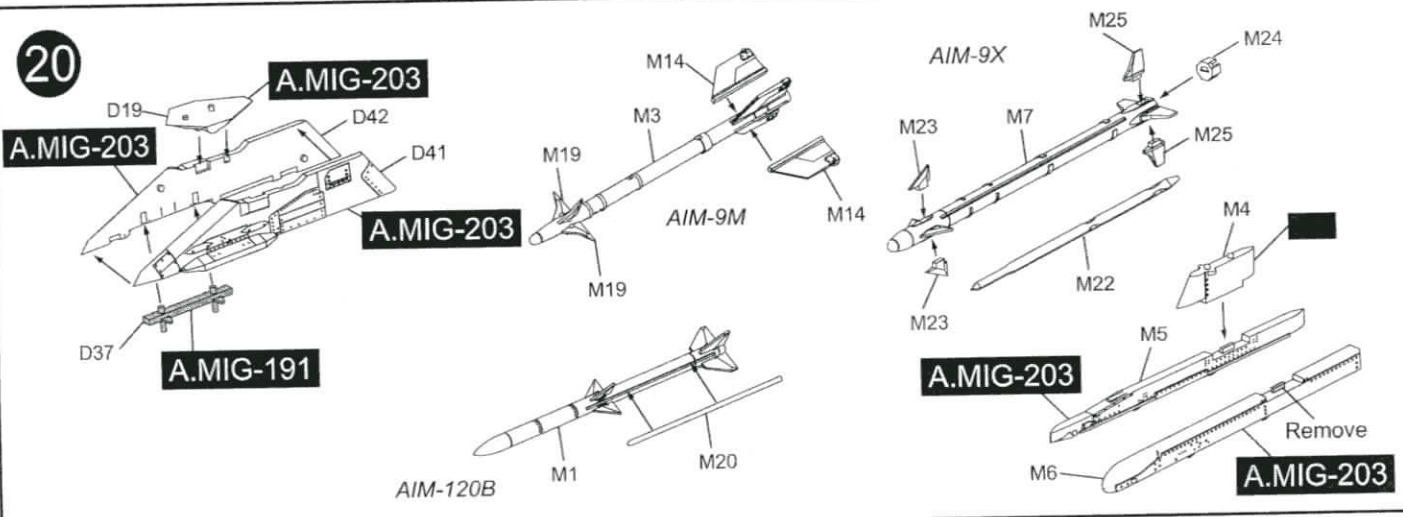
# 19 370 Gallon Wing Tank



# 300 Gallon Centerline Tank

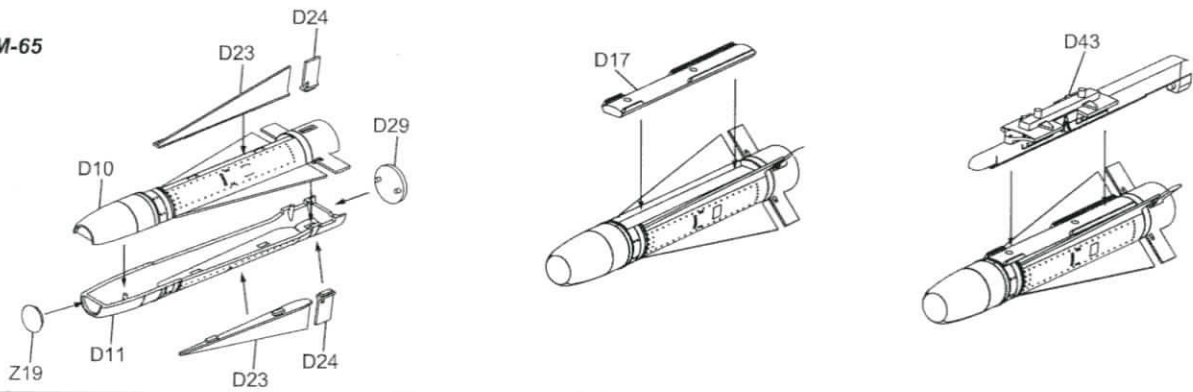


# 20

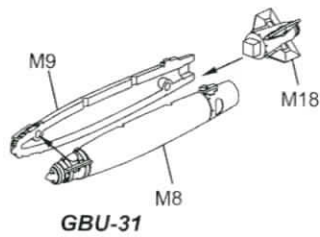




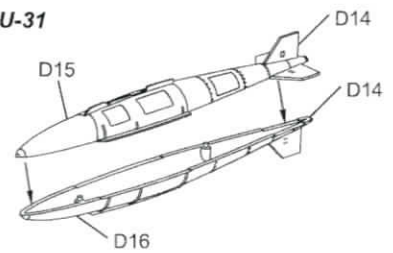
**21** AGM-65



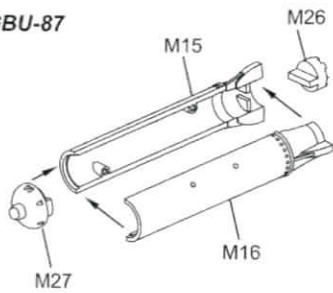
**GBU-38**



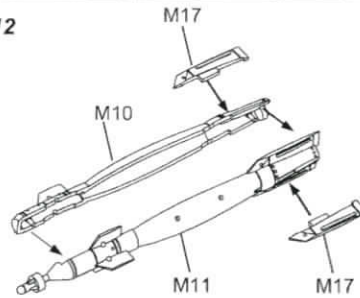
**GBU-31**



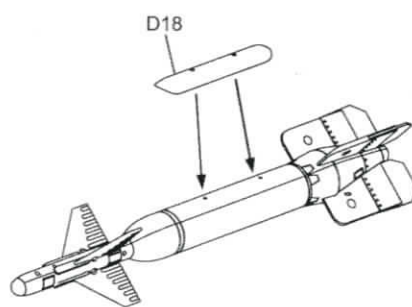
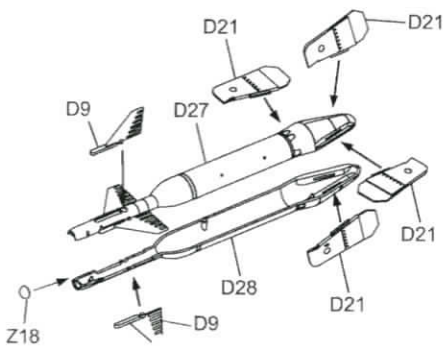
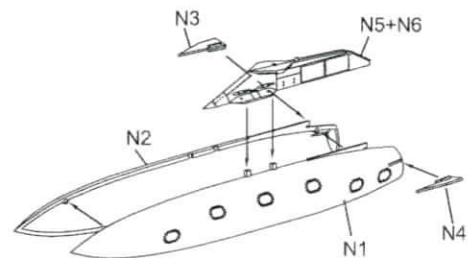
**GBU-87**



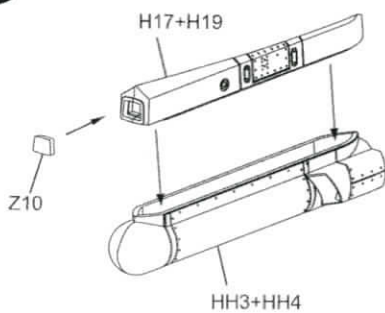
**GBU-12**



**600GAL FUEL TANK**

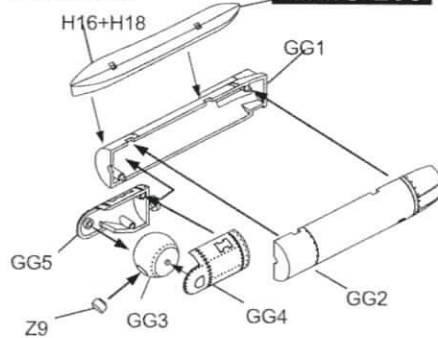


**22** AN/AAQ-13

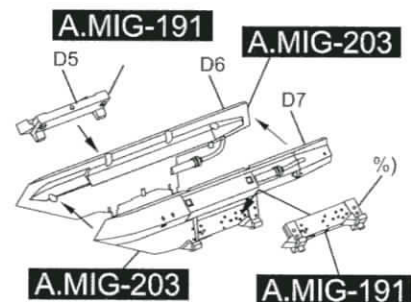


**AN/AAQ-14**

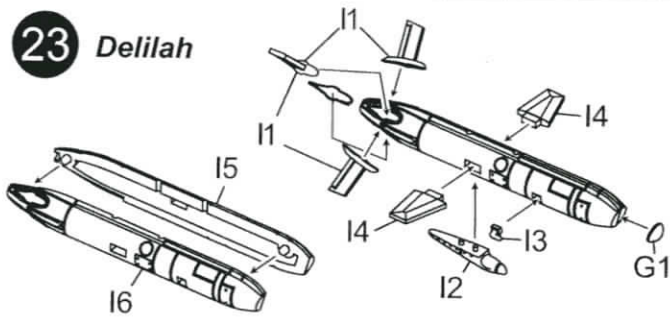
**A.MIG-203**



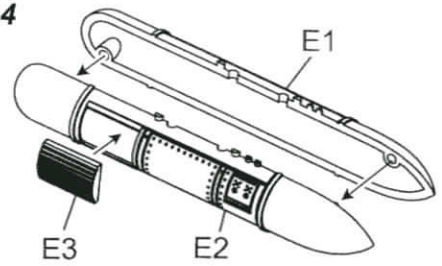
**TER**



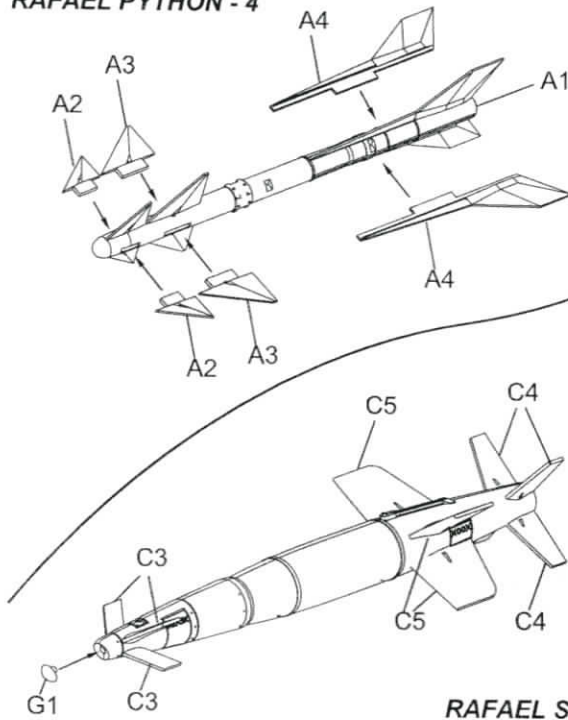
**23** Delilah



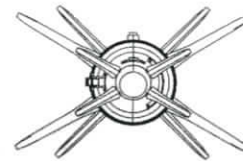
**AN/AXQ-14**



**24** RAFAEL PYTHON - 4

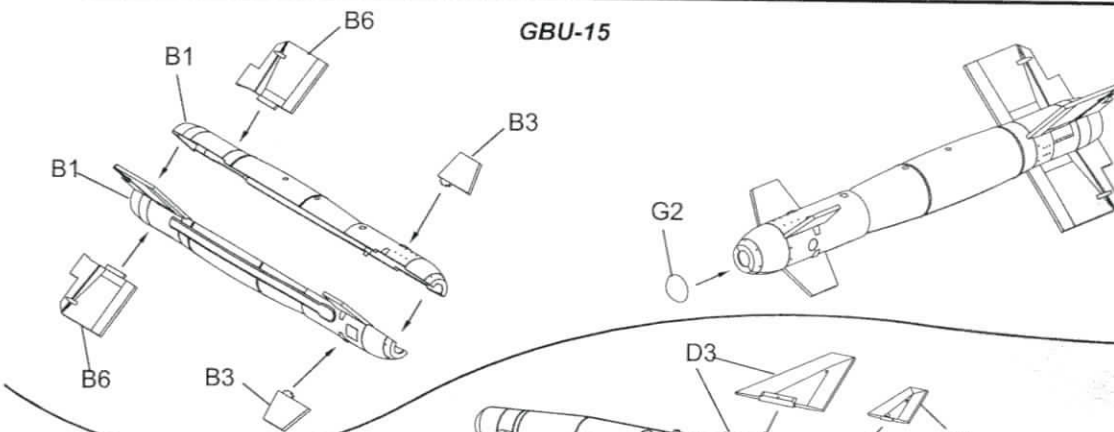


**RAFAEL SPICE**

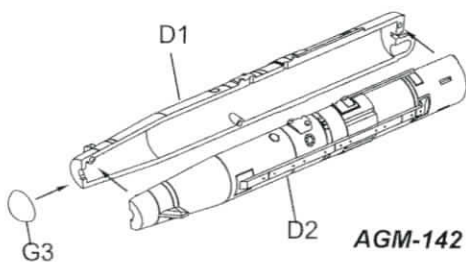


Front view drawing to show the angle the fins should be attached to the fuselage.

**GBU-15**



**AGM-142**



Back view drawing to show the fins should be attached to the fuselage.



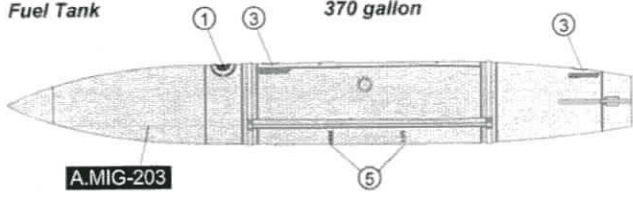


**1/48 SCALE AIRCRAFT SERIES NO: K48085**

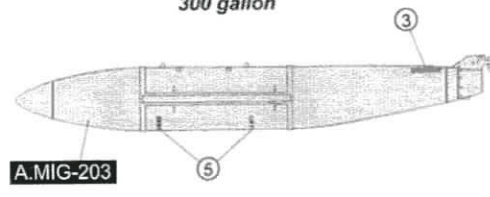
Fuel Tank

370 gallon

300 gallon



A.MIG-203



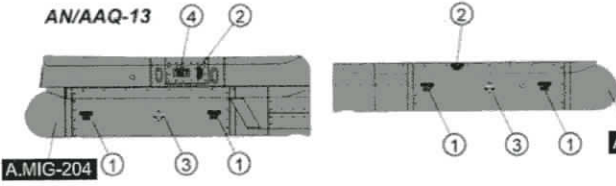
A.MIG-203

AN/AAQ-13

AN/AAQ-14

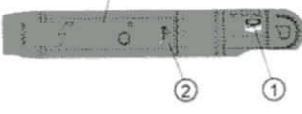
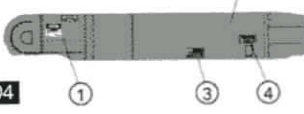
A.MIG-204

A.MIG-204



A.MIG-204

A.MIG-204



AIM-120B

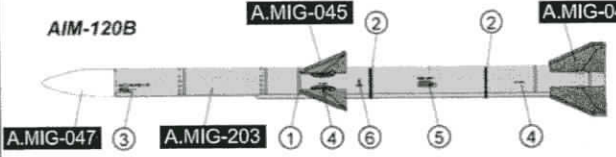
A.MIG-045

A.MIG-045

AIM-9M

A.MIG-195

A.MIG-045



A.MIG-047

A.MIG-203

A.MIG-046

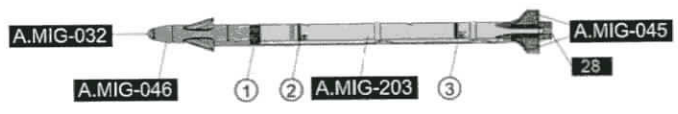
1

A.MIG-203

AIM-9X

A.MIG-032

A.MIG-045



A.MIG-046

1

2

A.MIG-203

3

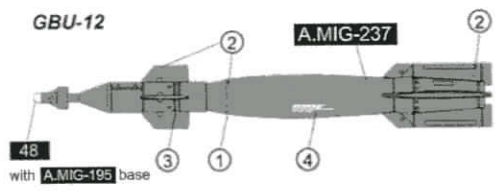
GBU-12

A.MIG-237

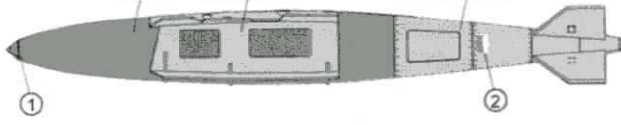
GBU-31

A.MIG-203

A.MIG-203



48 with A.MIG-195 base



40% A.MIG-195

CBU-87

+ 60% A.MIG-198

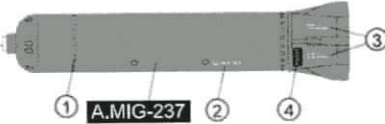
GBU-38

A.MIG-203

A.MIG-237

A.MIG-237

A.MIG-203



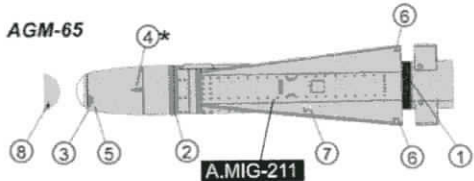
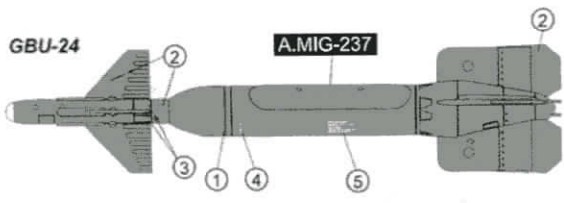
A.MIG-237

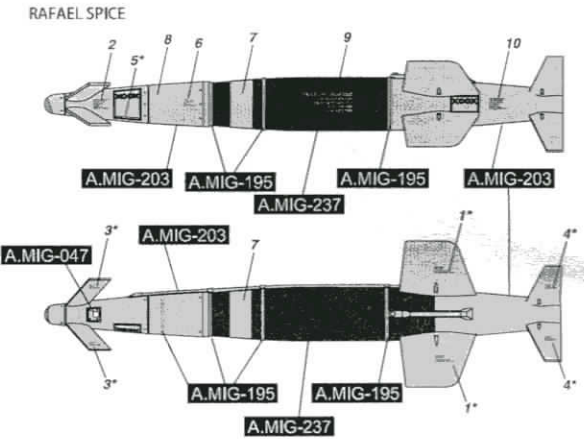
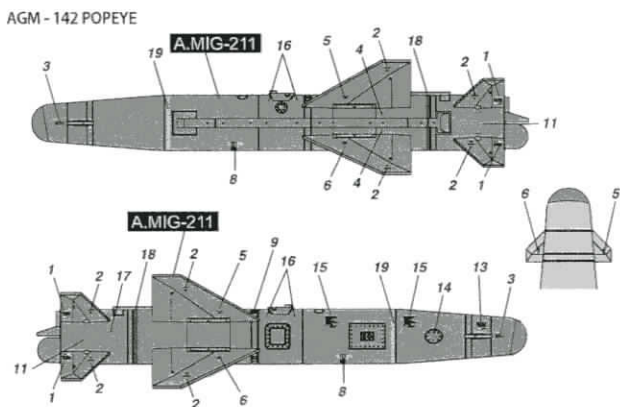
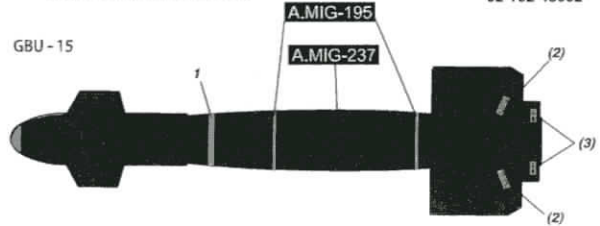
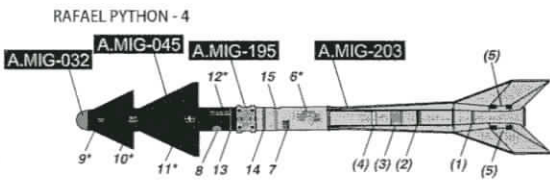
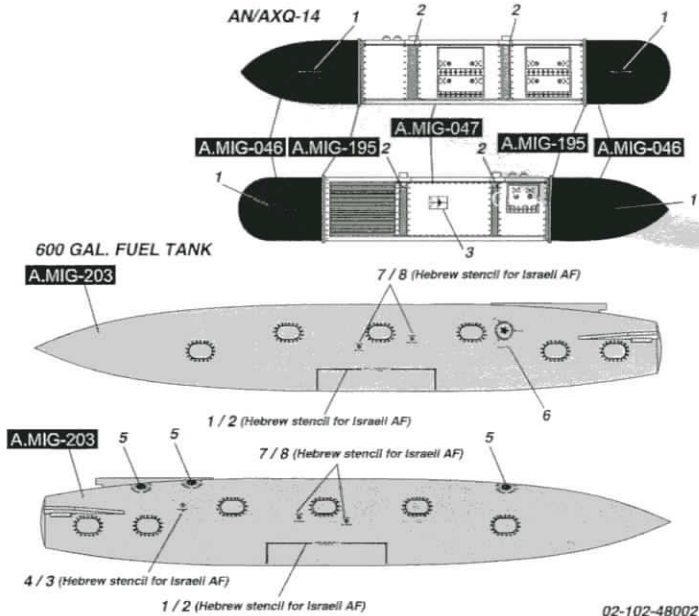
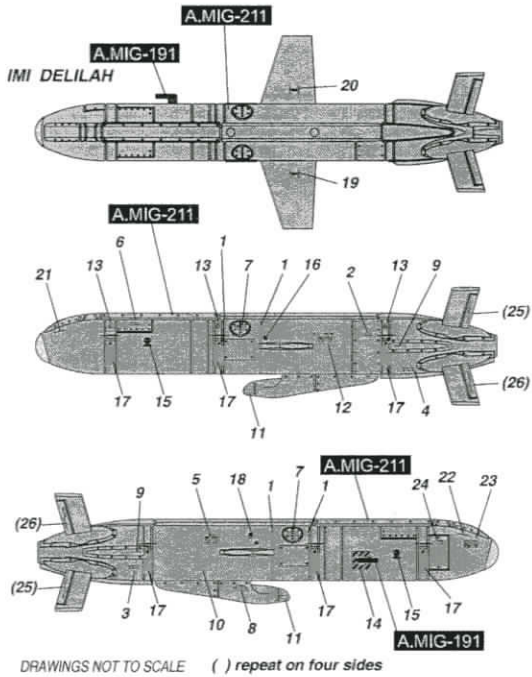
GBU-24

A.MIG-237

AGM-65

A.MIG-211



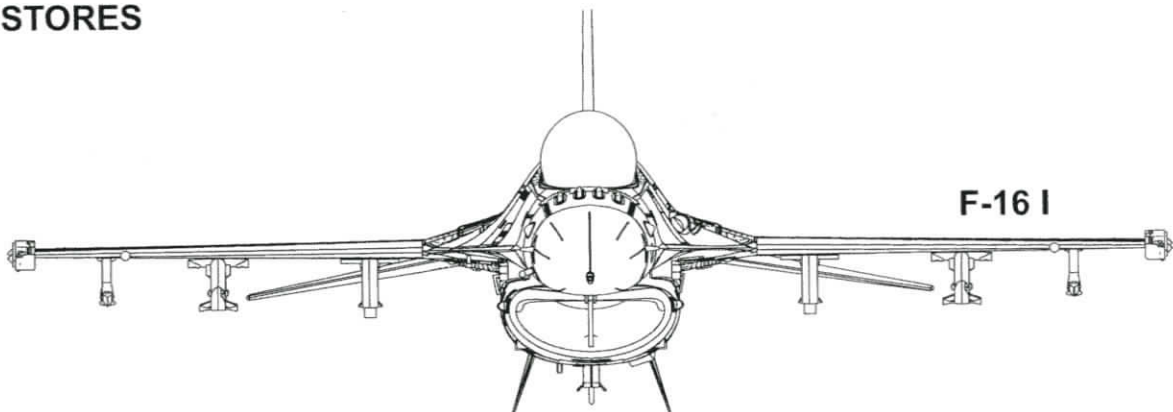


DRAWINGS NOT TO SCALE

\* is opposite side ( ) repeat on four sides



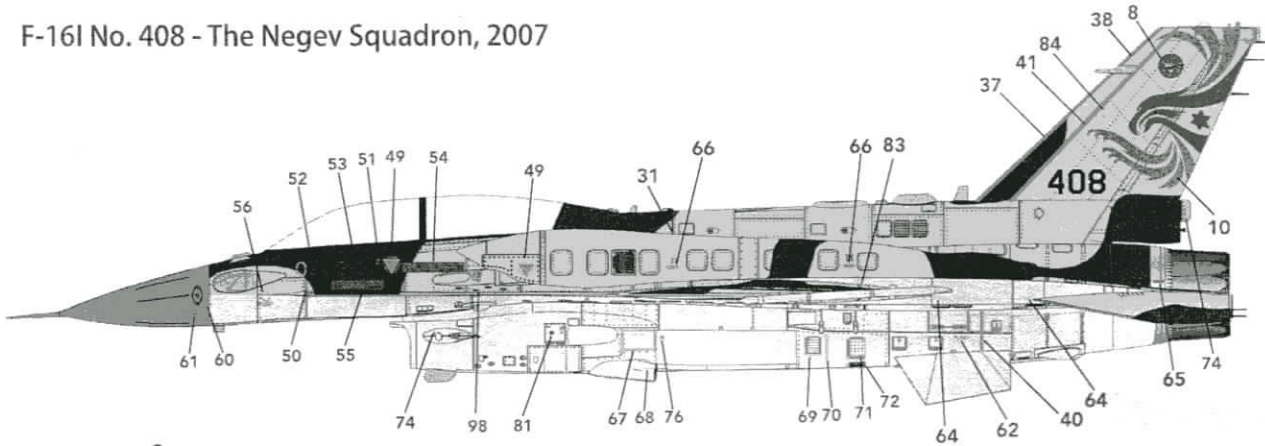
EXTERNAL STORES



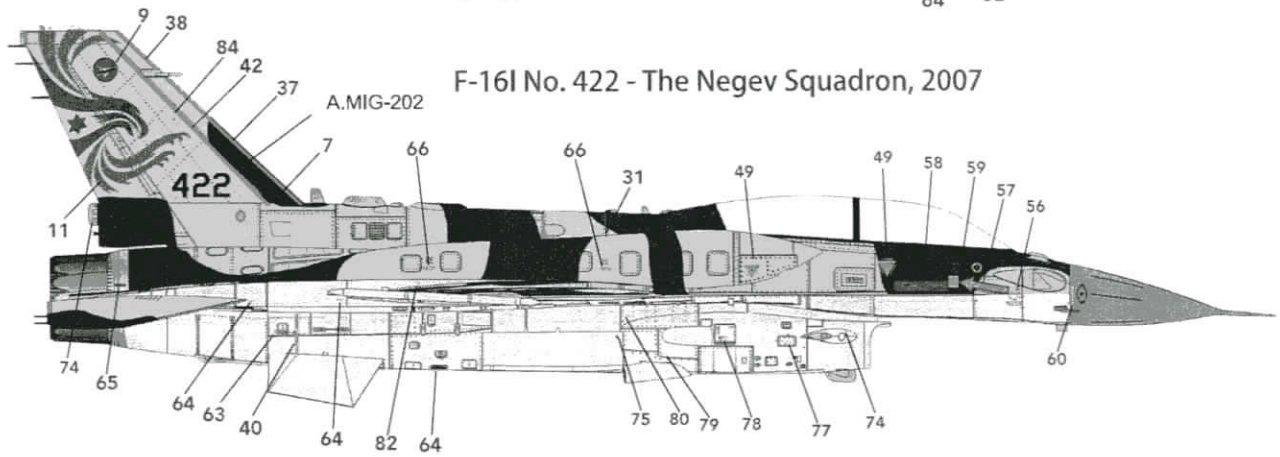
Station No. Weapons	9	8	7	6	5R	5	5L	4	3	2	1
LAU-114 (W/AIM-9M only)	●	●	●						●	●	●
LAU-129	●	●	●						●	●	●
AIM-9M	●	●	●						●	●	●
AIM-9X (W/LAU-129 only)	●	●								●	●
AIM-120B (W/LAU-129 only)	●	●	●						●	●	●
PYTHON-4	●	●								●	●
GBU-12			●						●		
GBU-12 (W/TER)			● ●						● ●		
GBU-31			●						●		
GBU-87			●						●		
GBU-87 (W/TER)			● ●						● ●		
GBU-38			●						●		
GBU-38 (W/TER)			● ●						● ●		
GBU-24			●						●		
AGM-65			●						●		
370gal. Fuel tank				●				●			
300gal. Fuel tank						●					
AN/AAQ-13							●				
AN/AAQ-14					●						
AN/AXQ-14						●					
600gal. Fuel tank				●				●			
IMI DELILAH			●						●		
RAFAEL SPICE			●	●				●	●		
GBU-15			●						●		

**1/48 SCALE AIRCRAFT SERIES NO: K48085**

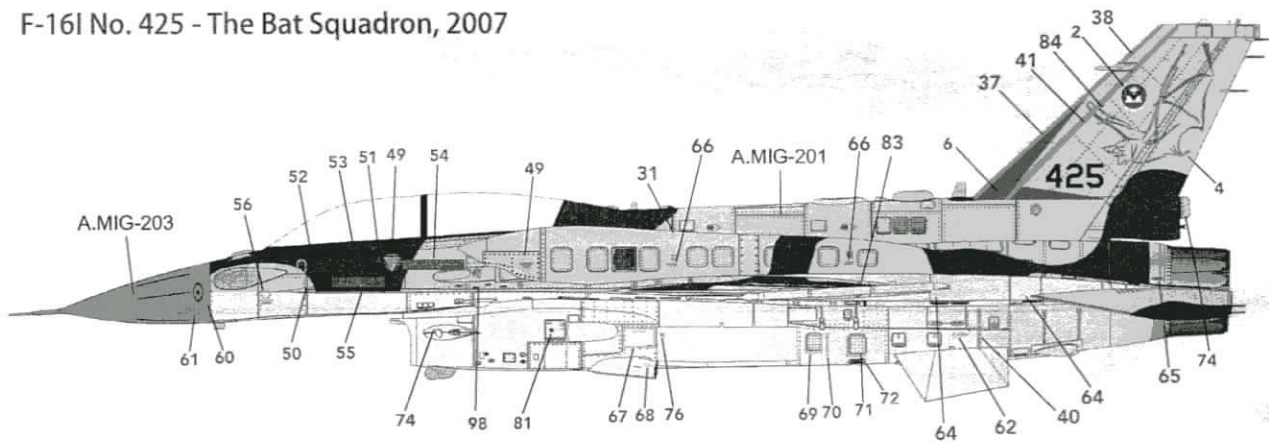
F-16I No. 408 - The Negev Squadron, 2007



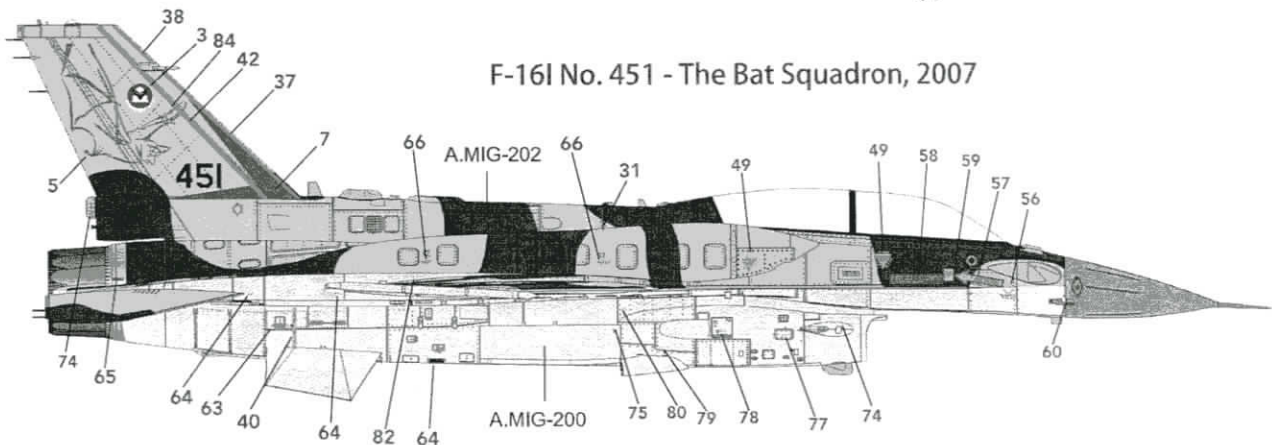
F-16I No. 422 - The Negev Squadron, 2007



F-16I No. 425 - The Bat Squadron, 2007



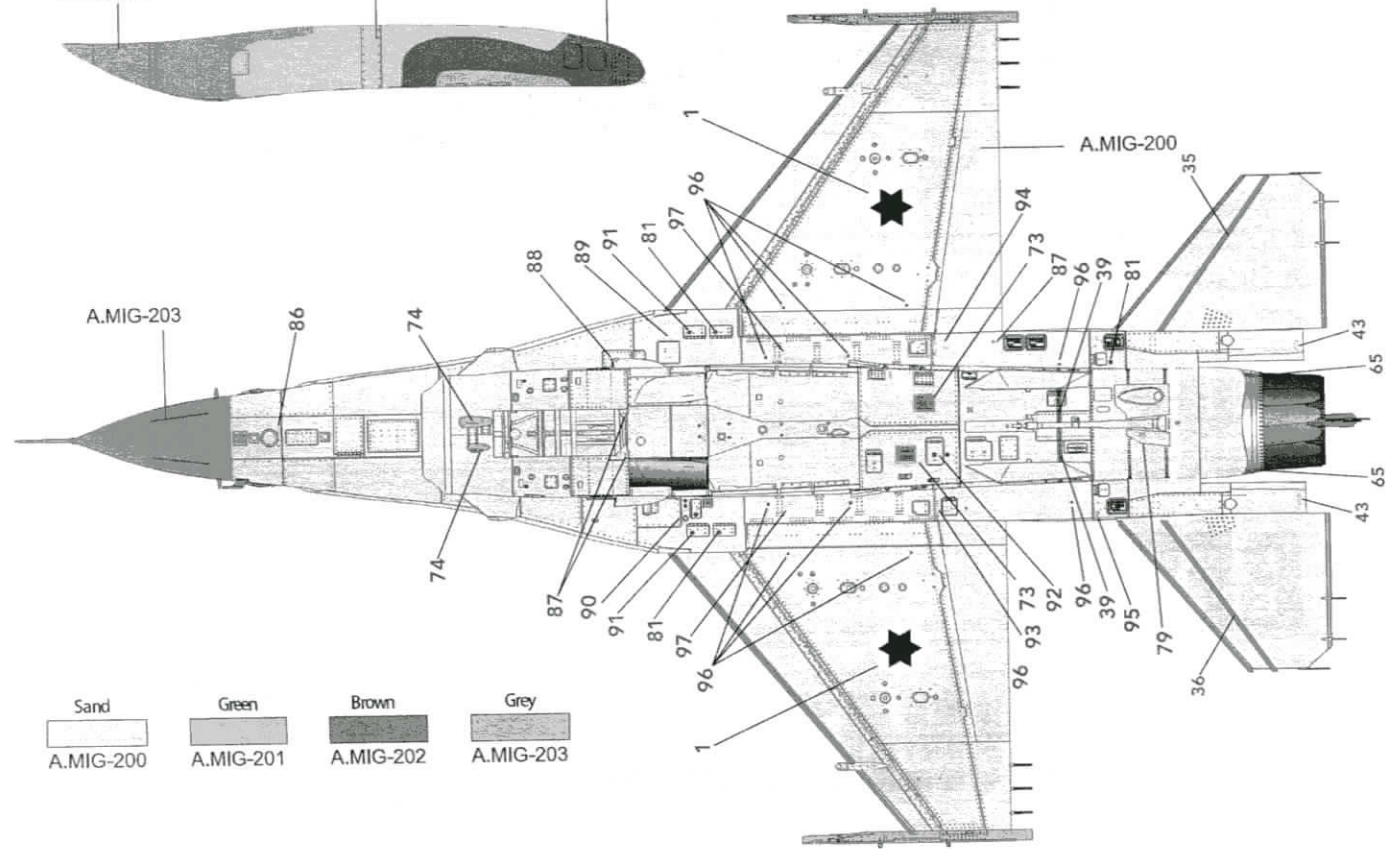
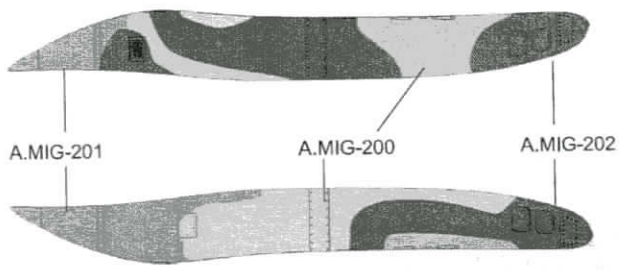
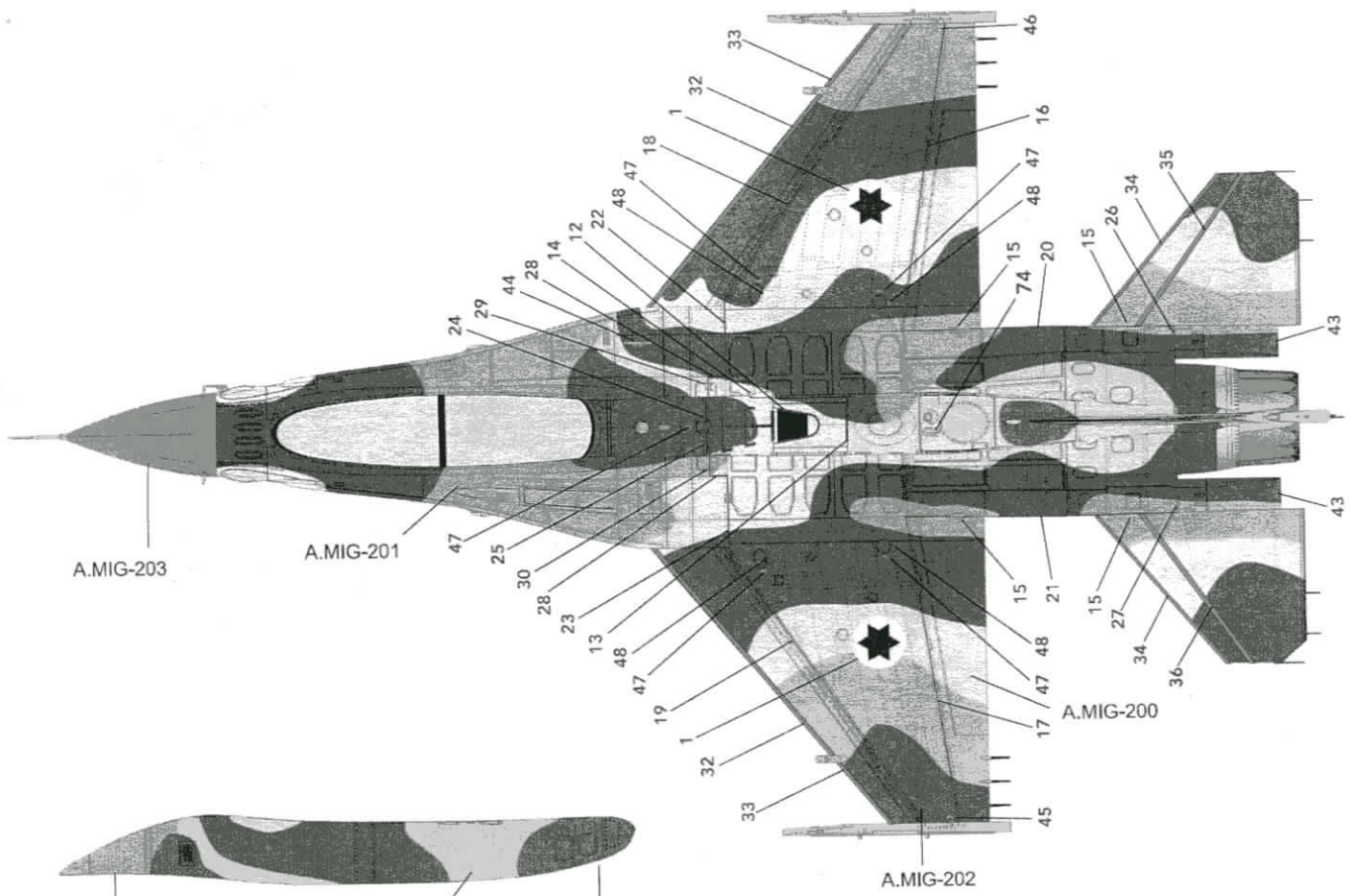
F-16I No. 451 - The Bat Squadron, 2007

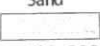
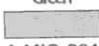
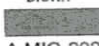
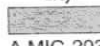


Sand	Green	Brown	Grey
A.MIG-200	A.MIG-201	A.MIG-202	A.MIG-203



**1/48 SCALE AIRCRAFT SERIES NO: K48085**



- |   |   |   |   |
|---|---|---|---|
|  |  |  |  |
| Sand  | Green   | Brown   | Grey  |
| A.MIG-200   | A.MIG-201   | A.MIG-202   | A.MIG-203   |