

F-117A

F-117A '巴格达快车' 隐形战机

ASSEMBLY INSTRUCTION

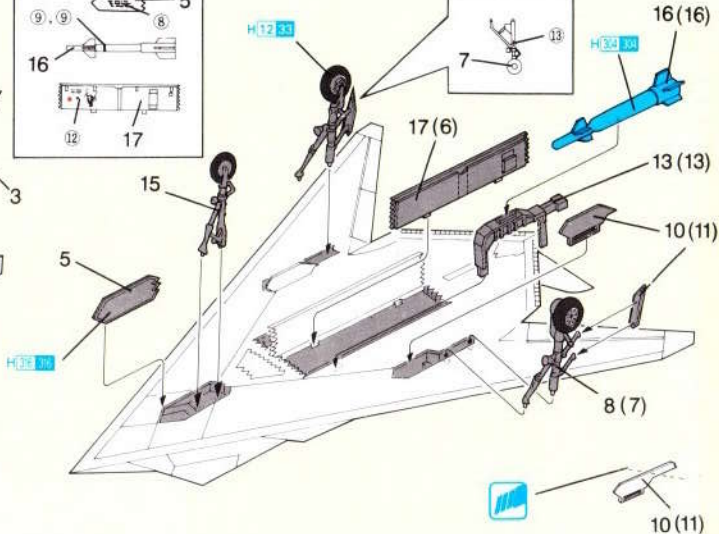
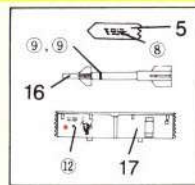
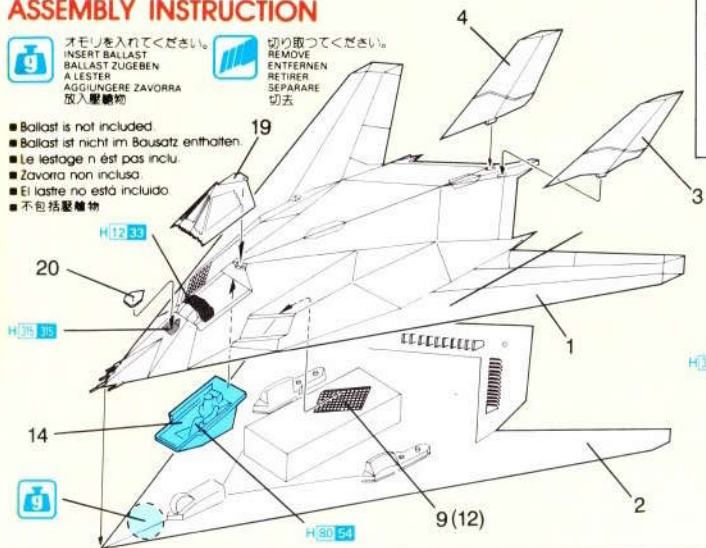


オモリを入れてください。
INSERT BALLAST
BALLAST ZUGEBEN
A LÉSTER
AGGIUNGERE ZAVORRA
放入壓重物



切り取ってください。
REMOVE
ENTFERNEN
RETRIER
SEPARARE
切去

- Ballast is not included
- Ballast ist nicht im Bausatz enthalten
- Le lestage n'est pas inclú.
- Zavorra non inclusa
- El lastre no está incluido
- 不包括壓重物



MARKING AND PAINTING

H11 GUNZE SANGYO AQUEOUS HOBBY COLOUR; ■ GUNZE SANGYO MR COLOUR
■ TALERI PAINT NO.

H12 33	FLAT BLACK	1749	H35 35	LIGHT GRAY	1730
H80 54	KHAKI GREEN	1710	H36 36	WHITE	1745
H34 34	OLIVE DRAB	1711			

■ Correct Method for Applying Decals

- ① Clean model surface with wet cloth.
- ② Cut each design out of decal sheet and dip them in warm water for 20 seconds.
- ③ Check with finger tip if design is loose on base paper. If so, place it on proper position on model and slide off base paper leaving design on model.
- ④ Move design to exact position with wet finger tip, and push out excess water and air bubbles under decal with soft cotton cloth.
- ⑤ When decals get dry, wipe off with wet cloth excess glue left around decals.

■ 貼上水印標貼的正確方法：

將各標貼從紙上切出，浸入溫水中約 20 秒，再放到模型表面正確位置上，將過紙移去，用柔軟的布輕壓，確保效果完美。

