

FOREART

FOREART

M142 HIMARS

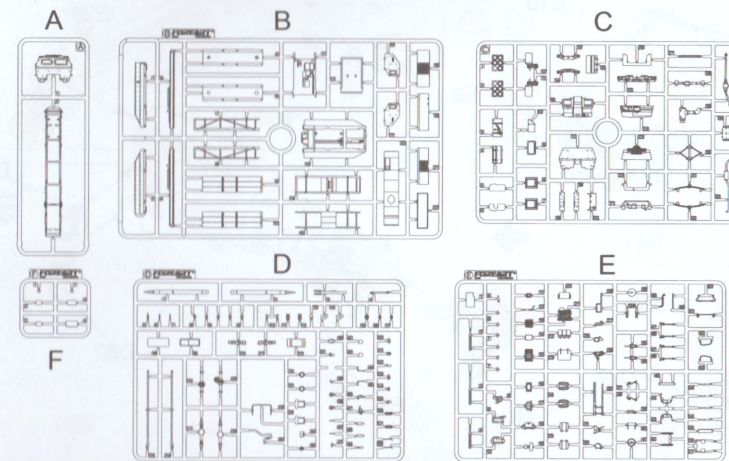
High Mobility Artillery Rocket System

1/72
scale



M142“海马斯”高机动火箭炮系统

ITEM 2006



Decal
水贴纸

Photo-etch
蚀刻片

Tires (3D Printed)
3D打印轮胎

3D Printed
3D打印件

切除阴影部分 Remove shaded parts	钻孔 Drill	对侧同样制作 Make the same for the other side	将孔填平 Fill holes	选择制作 Options to choose
锉平 File smoothly	制作2组 Make two sets	不用黏合 Do not cement	使用瞬间胶 Use instant glue	注意 Attention
塑料零件编号 Codes for plastic parts	蚀刻片编号 Codes for photo etched parts	过往步骤 Previous steps	被取代的零件编号 Codes for replaced parts	郡士油性漆 Gunze Mr.color

水贴使用说明

1. 将水贴剪下置于温水中浸泡约15秒。
2. 从水中取出水贴，等待图案与底纸自然分离。
3. 将水贴置于恰当的位置，轻轻将水贴印刷面推离底纸至适当位置。
4. 精确调整水贴的位置。
5. 用吸水纸巾或棉签轻轻按压水贴表面，将水份和气泡全部挤出。
6. 待其自然干燥。

Instruction for decal application

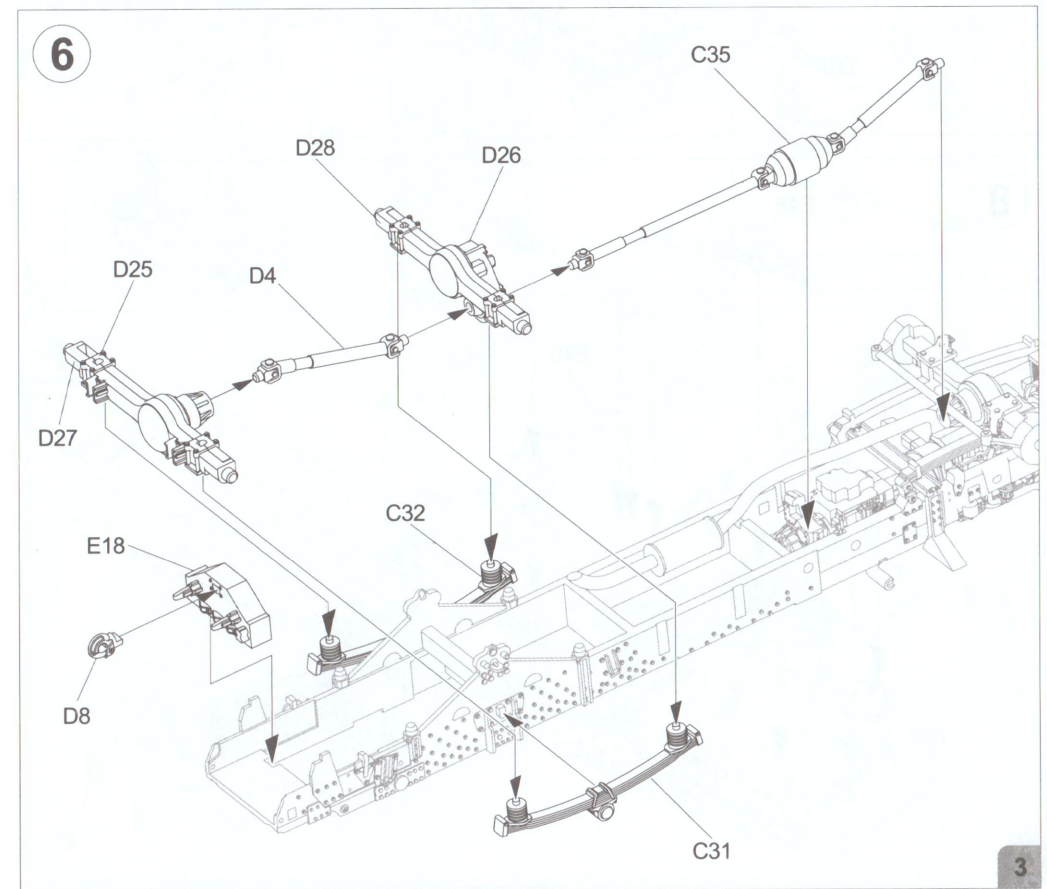
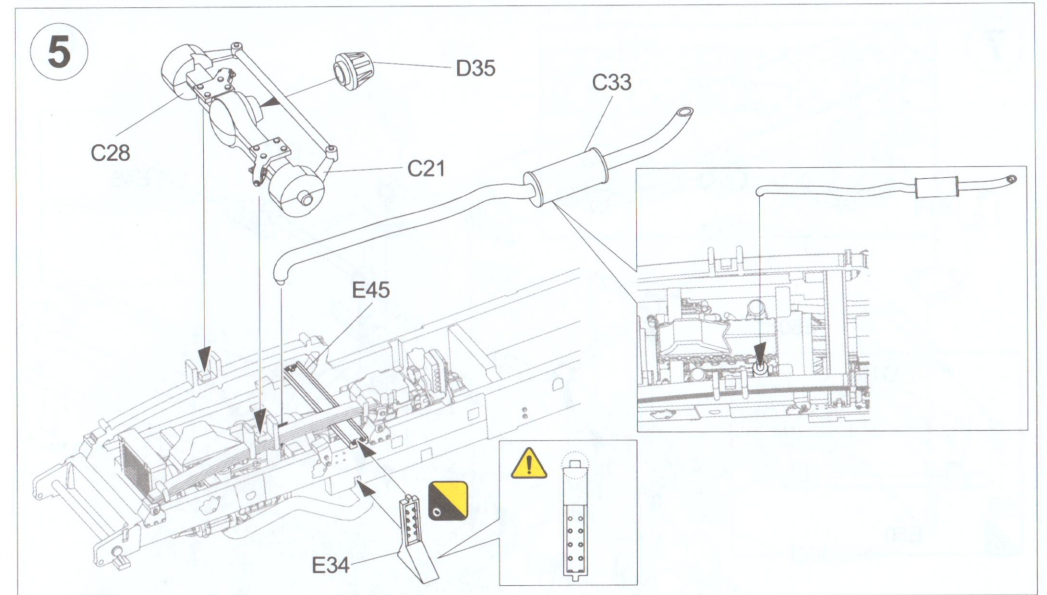
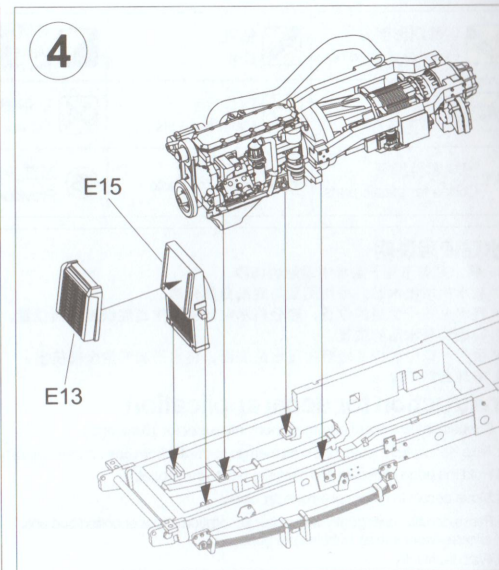
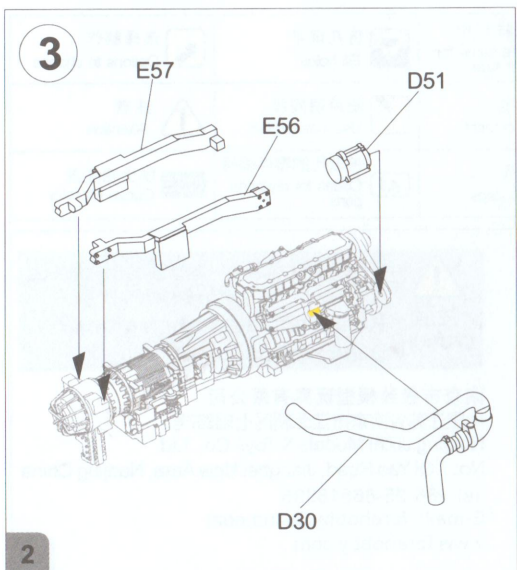
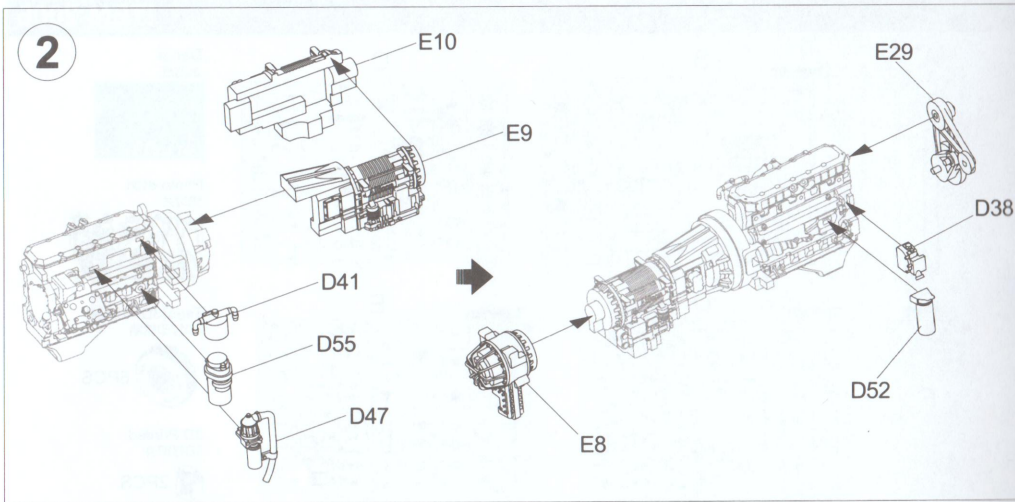
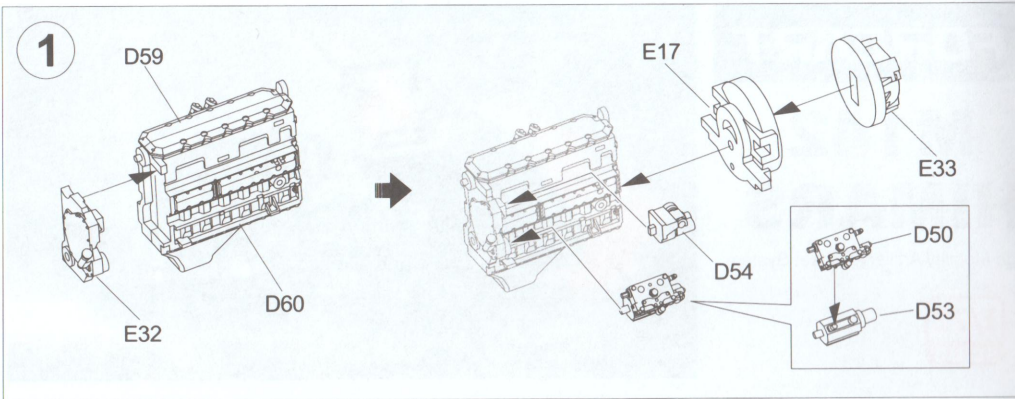
1. Cut decals from sheet and soak them into water for 15 seconds.
2. Take decals from water and wait them to separate from base paper naturally.
3. Hold the edge of decals and slide them onto the model.
4. Move decals to proper positions precisely.
5. Press decals down gently with water absorption paper or cotton bud until excess water and air bubbles are gone.
6. Wait decals dry.

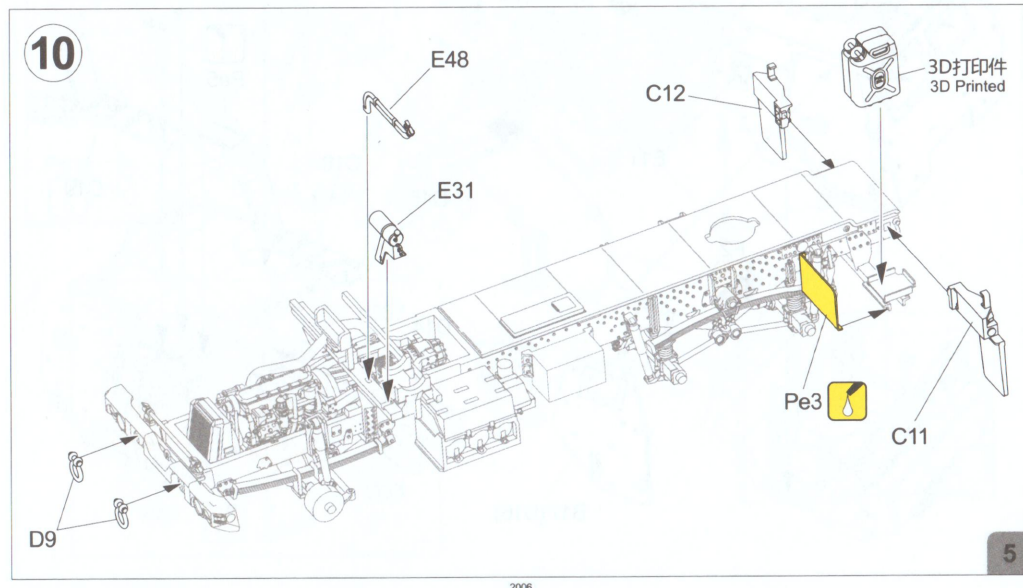
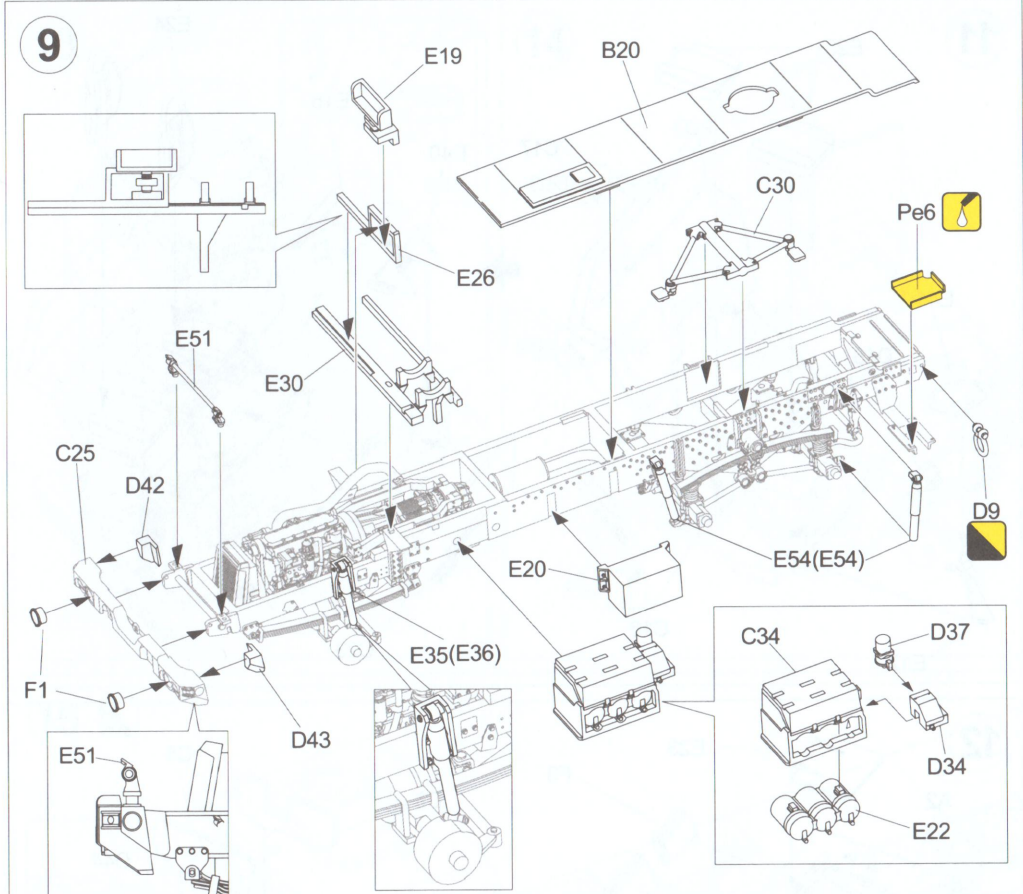
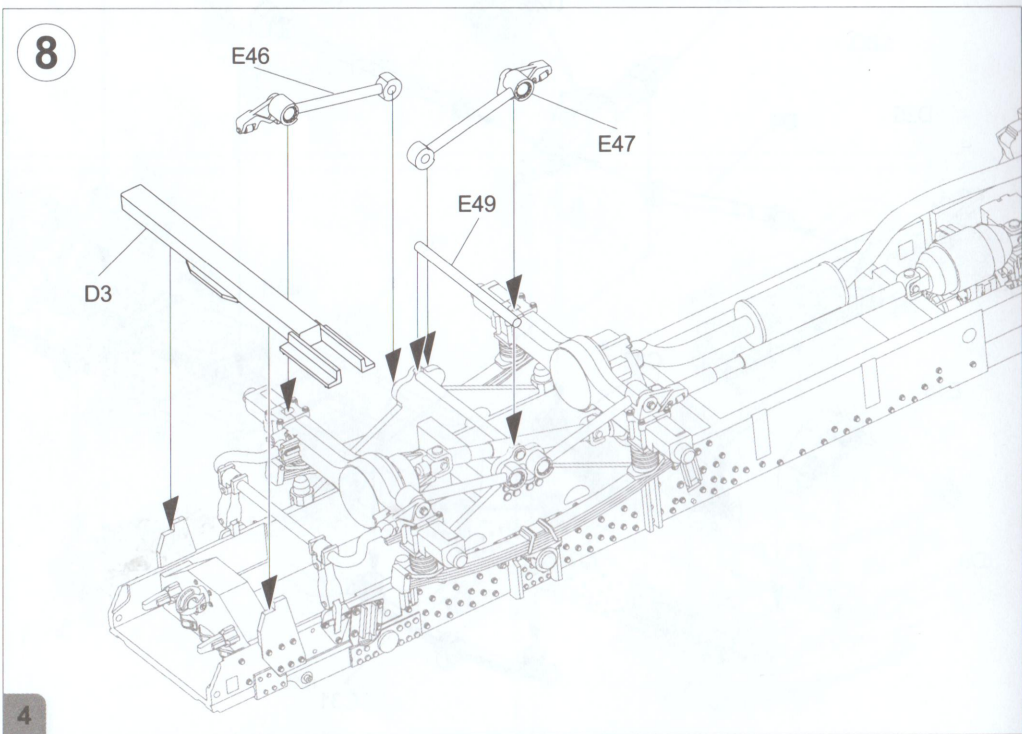
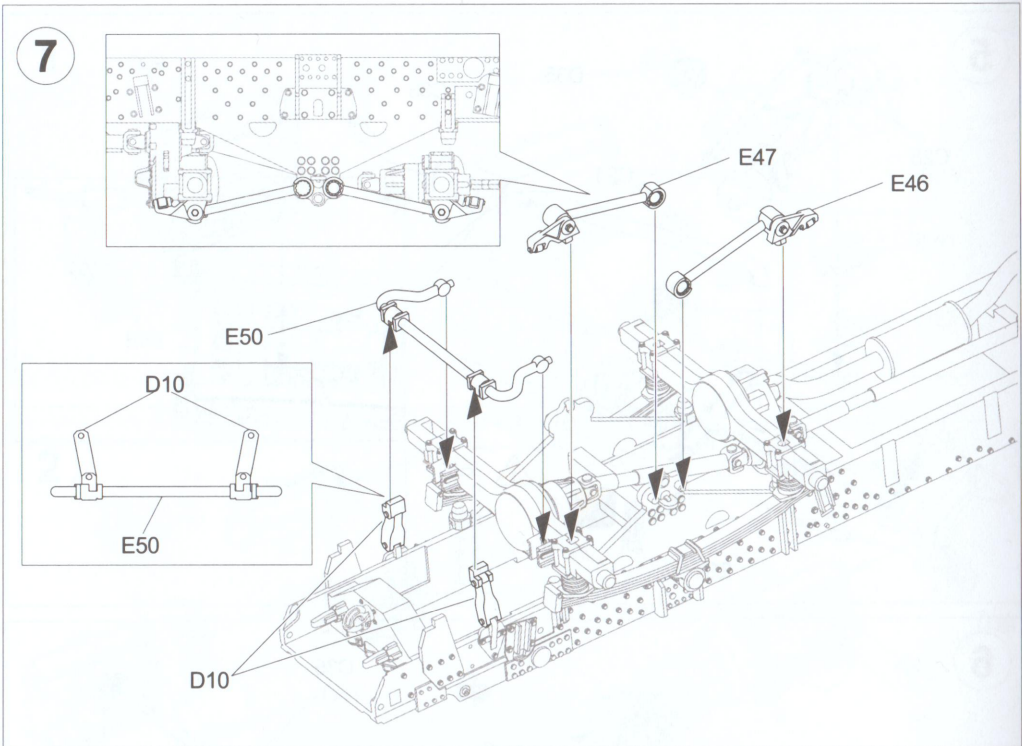


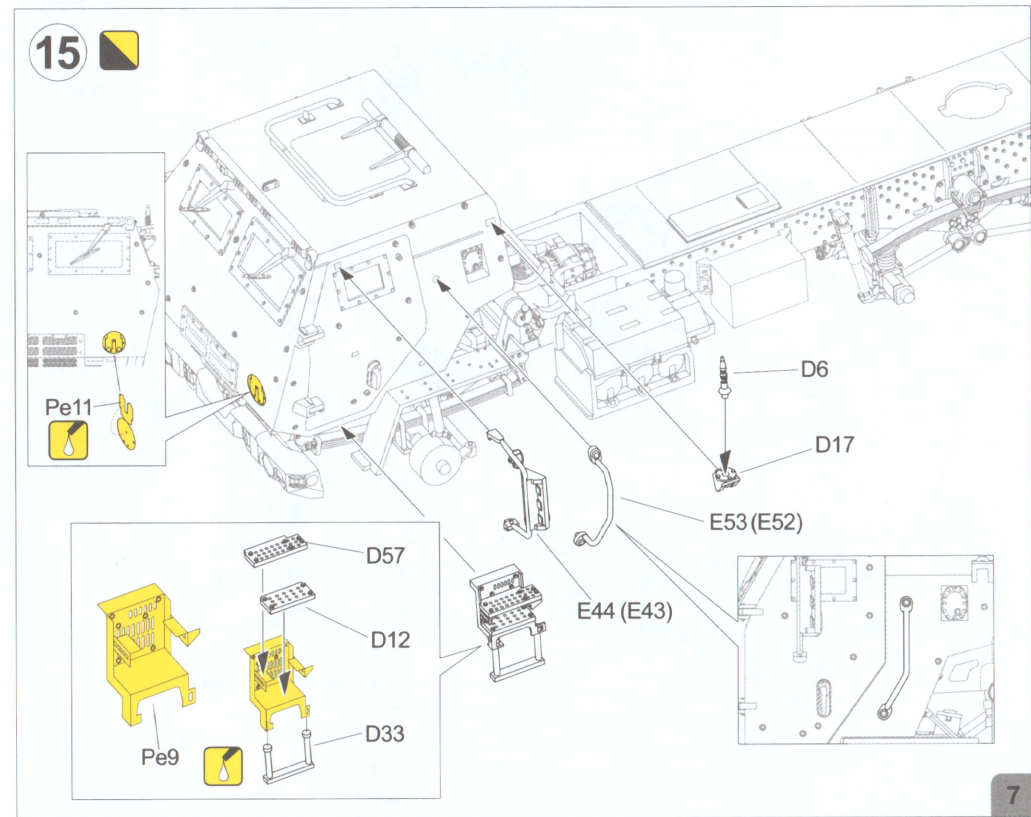
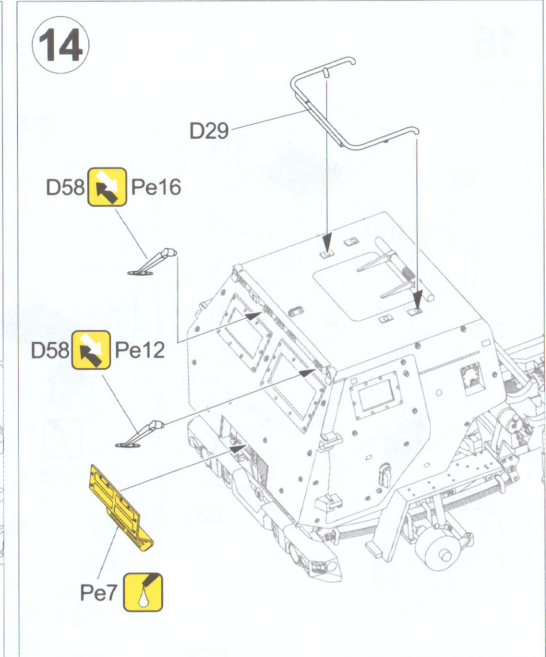
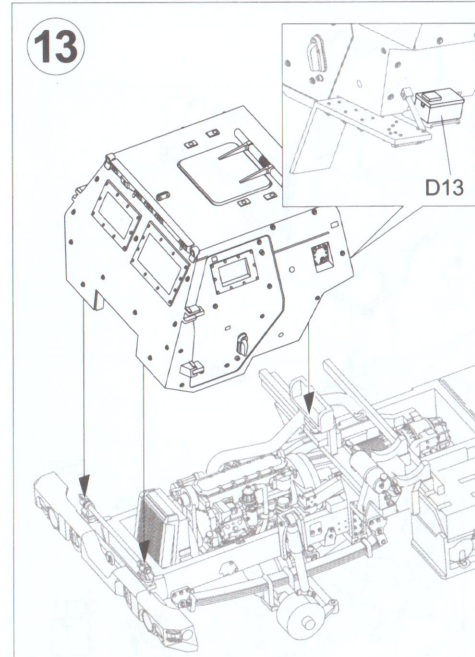
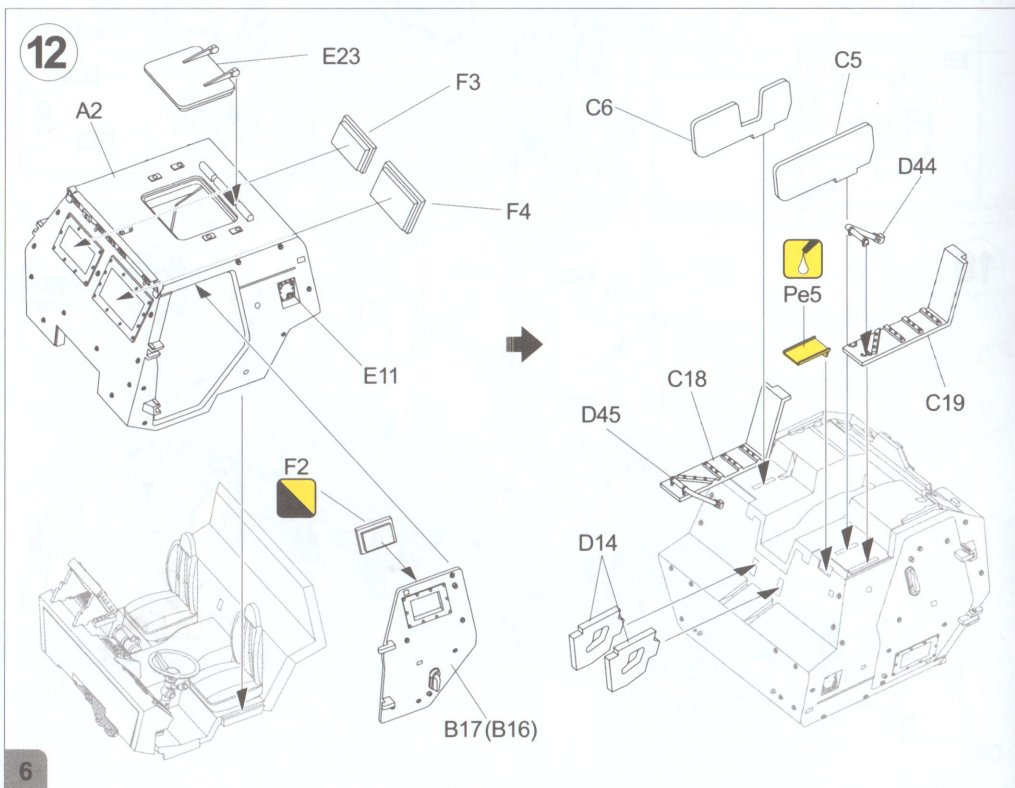
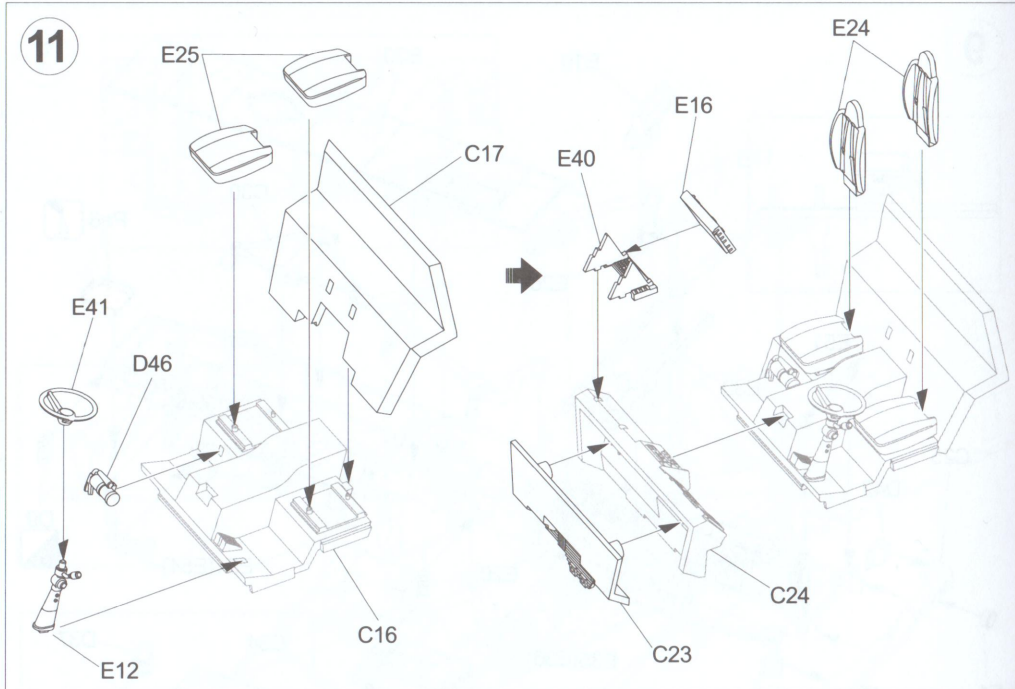
注意
CAUTION

在使用胶水组装模型或进行涂装上色的过程中，请保持通风环境。
Keep ventilated when glue or paint was used

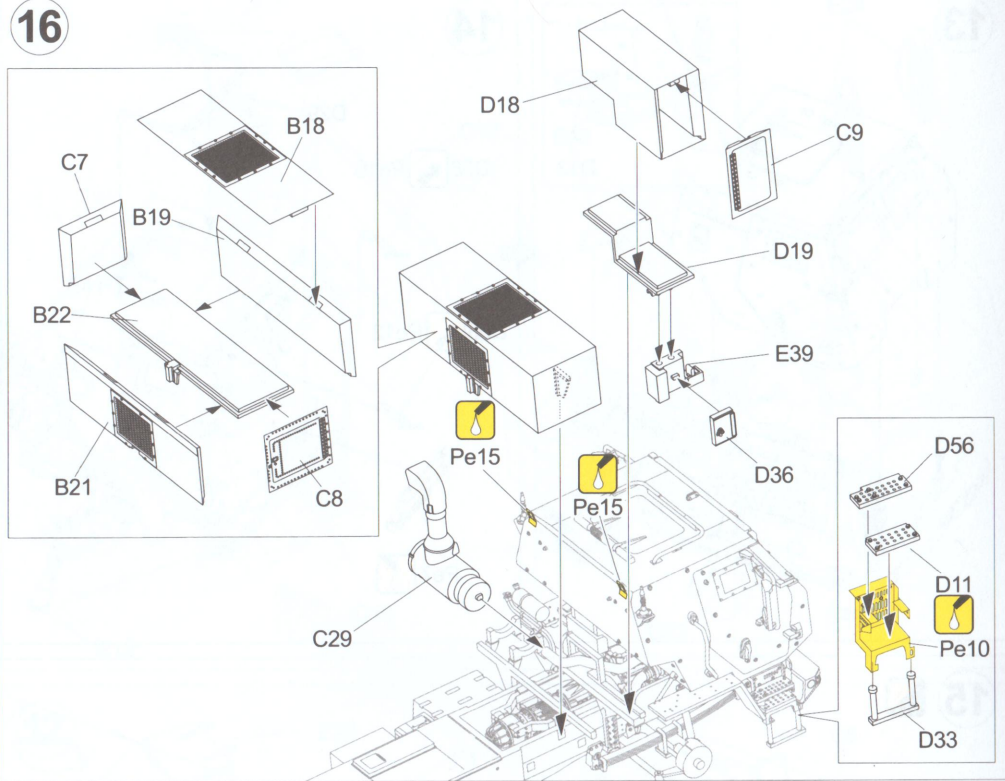
南京市极致模型玩具有限公司
中国江苏省南京市江北新区七瑶路7号
Nanjing JiZhi Models & Toys Co., Ltd.
No. 7 Qi Yao Road, Jiangbei New Area, Nanjing China
Tel: +86-25-86518995
E-mail: forehobby@sina.com
www.forehobby.com



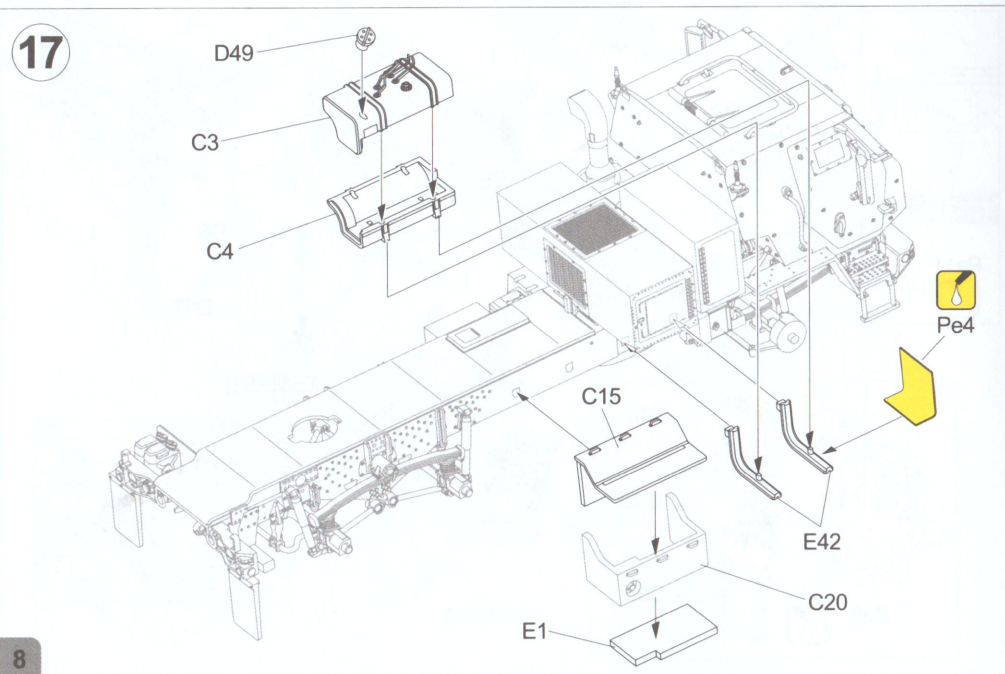




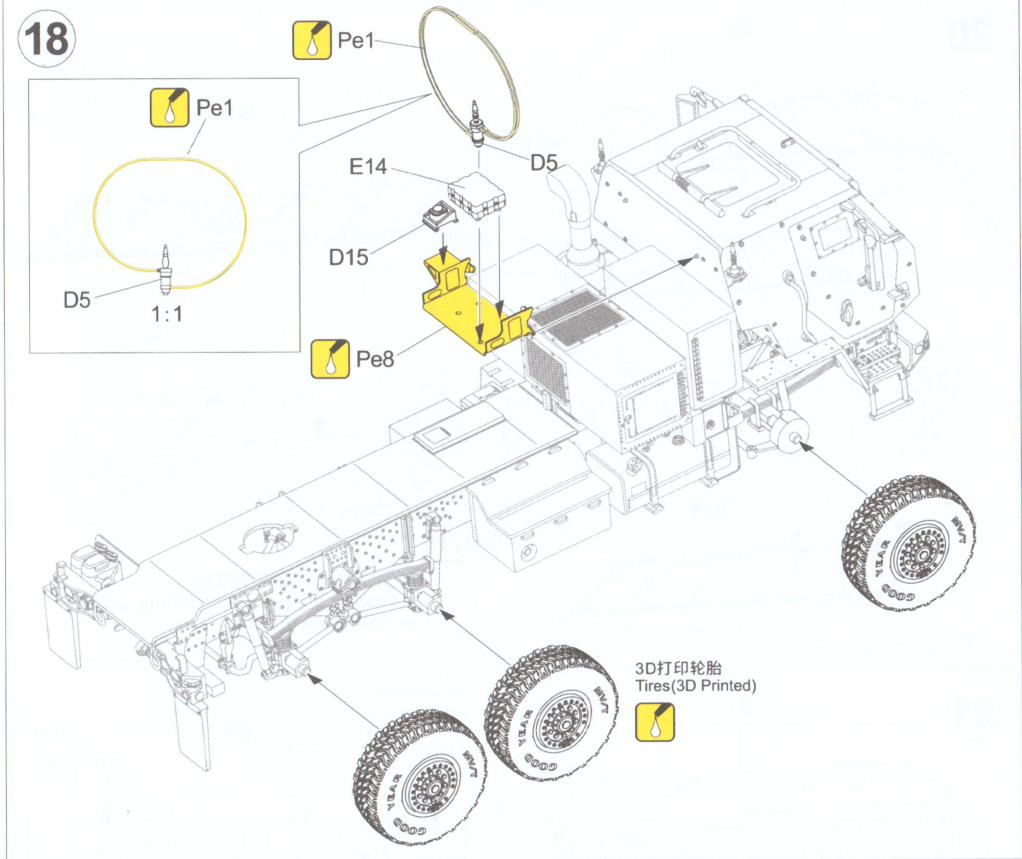
16



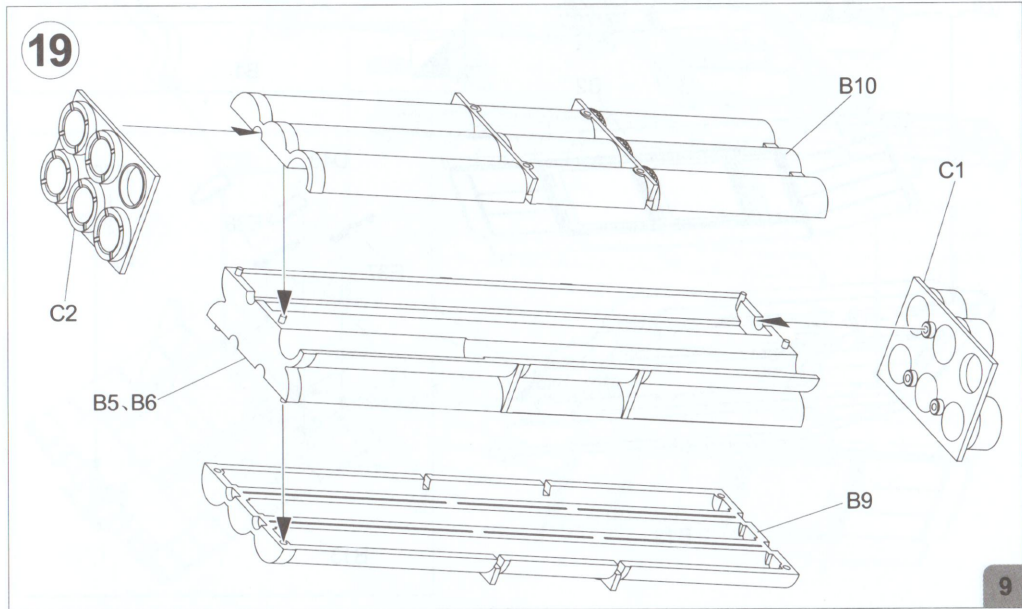
17



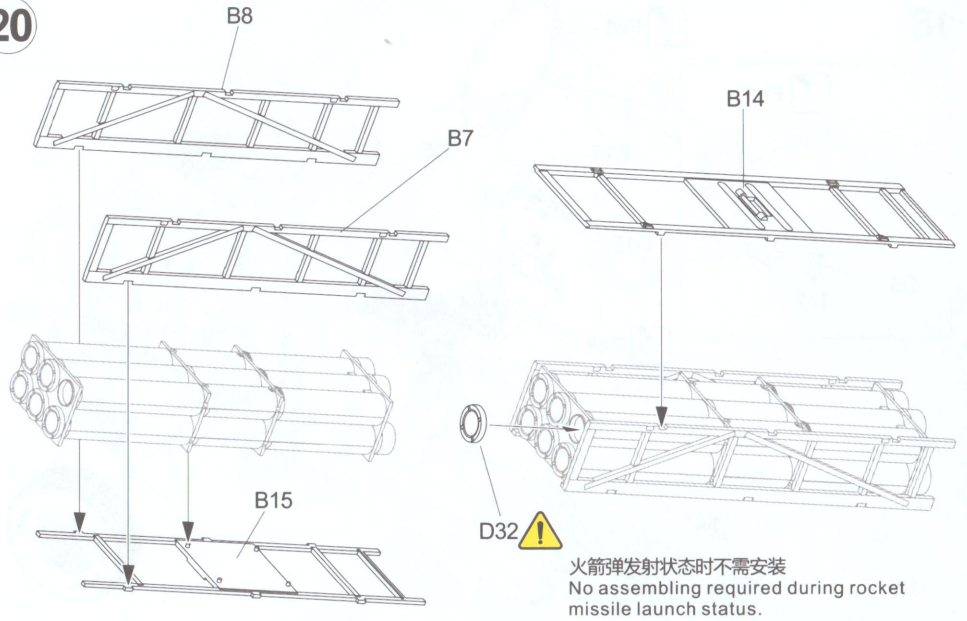
18



19

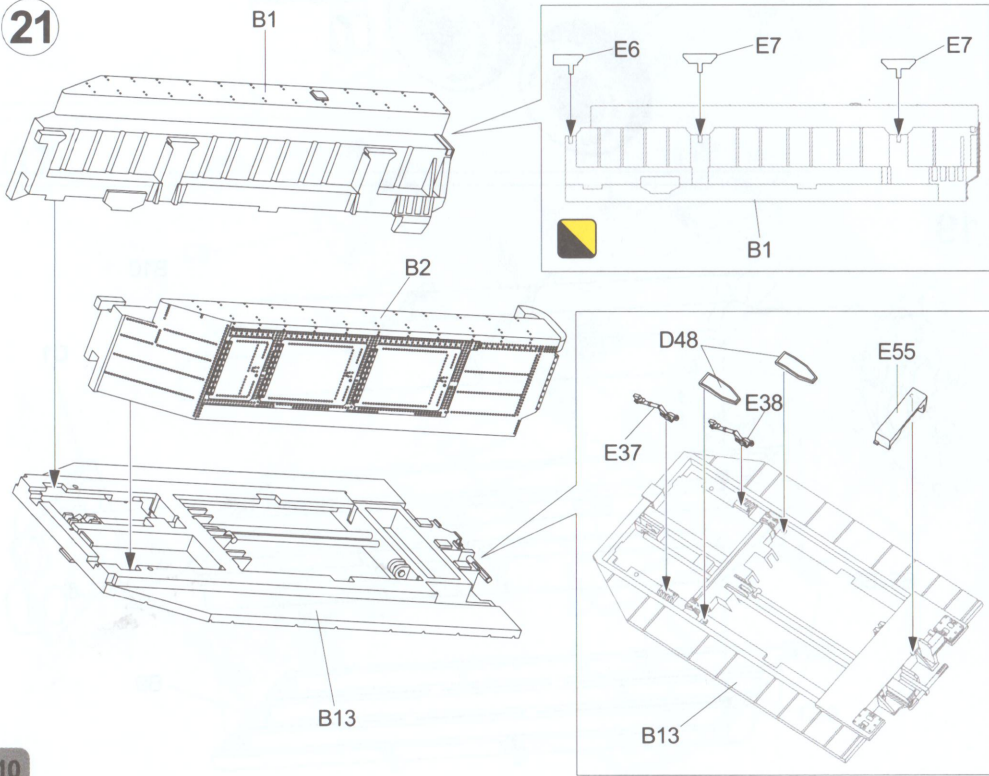


20

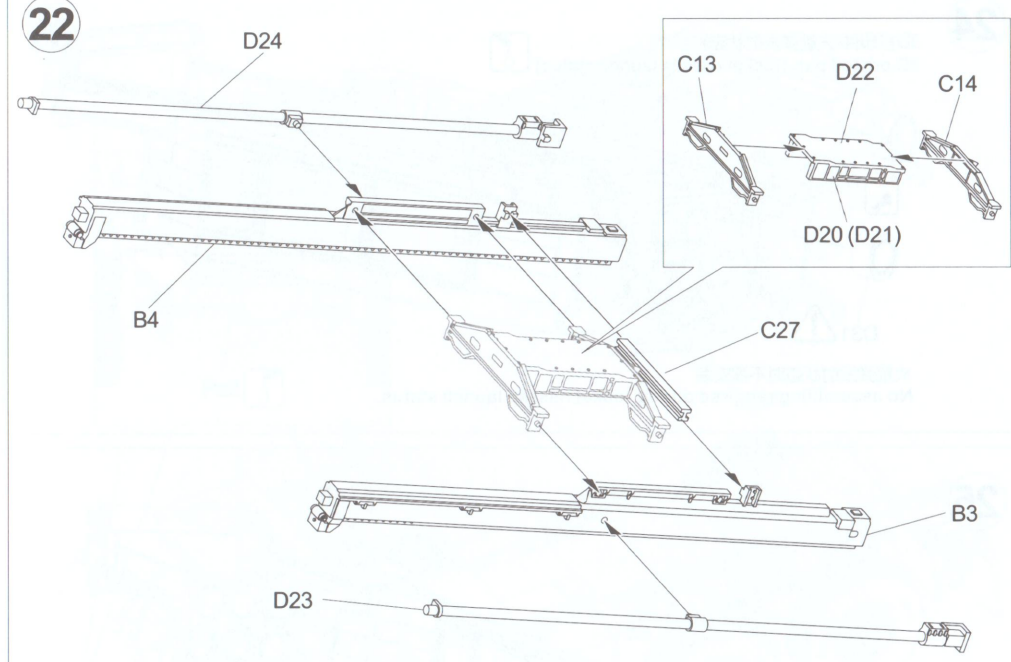


火箭弹发射状态时不需安装
No assembling required during rocket missile launch status.

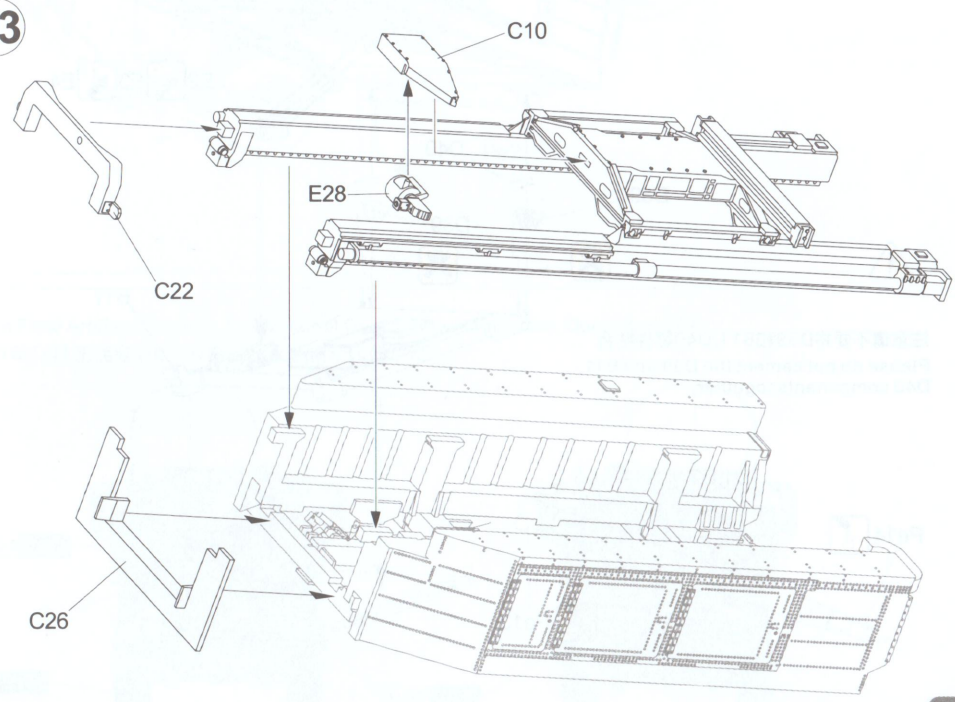
21



22

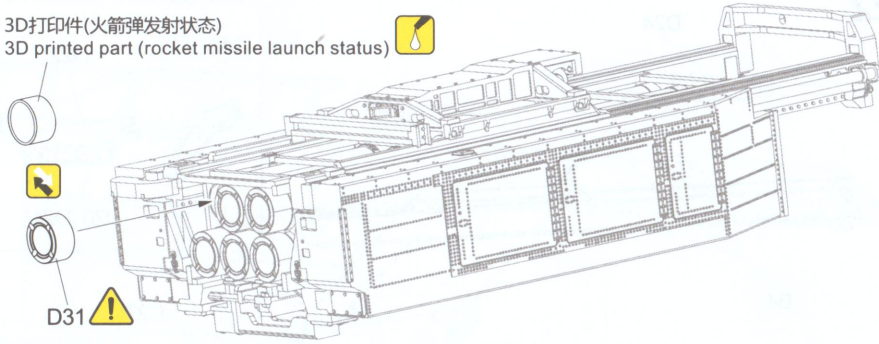


23



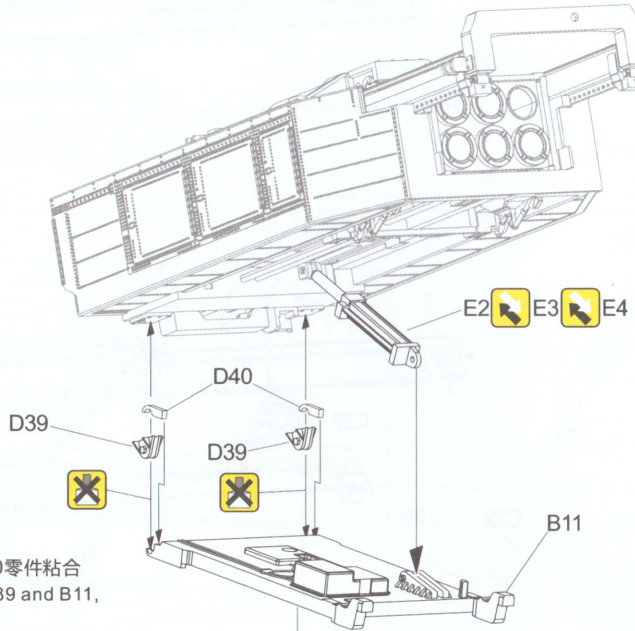
24

3D打印件(火箭弹发射状态)
3D printed part (rocket missile launch status)

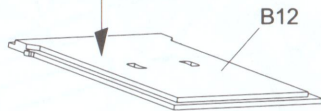
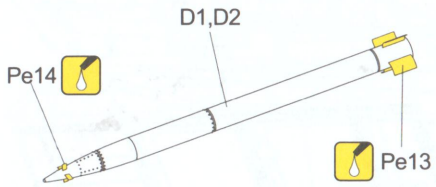


D31 ⚠️
火箭弹发射状态时不需安装
No assembling required during rocket missile launch status.

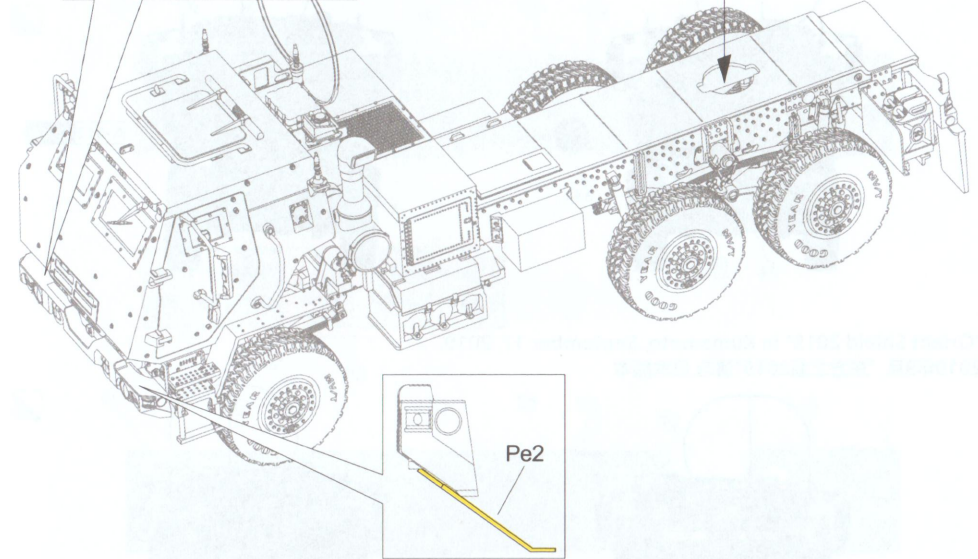
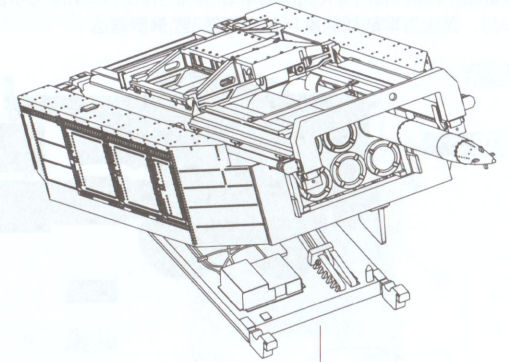
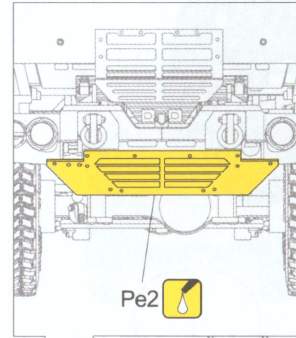
25



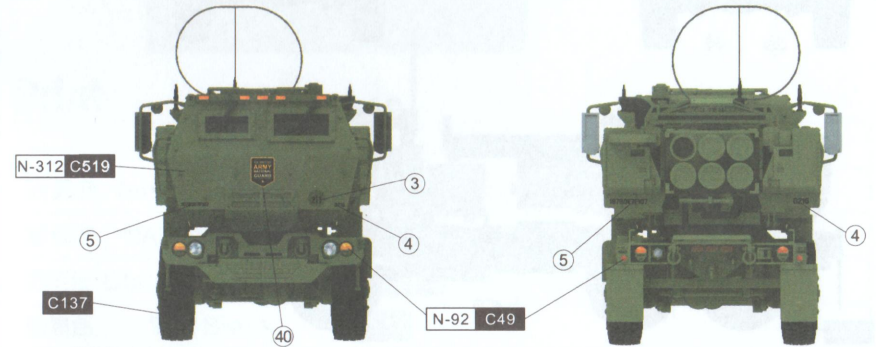
⚠️
注意请不要将D39和B11, D40零件粘合
Please do not cement the D39 and B11, D40 components together.



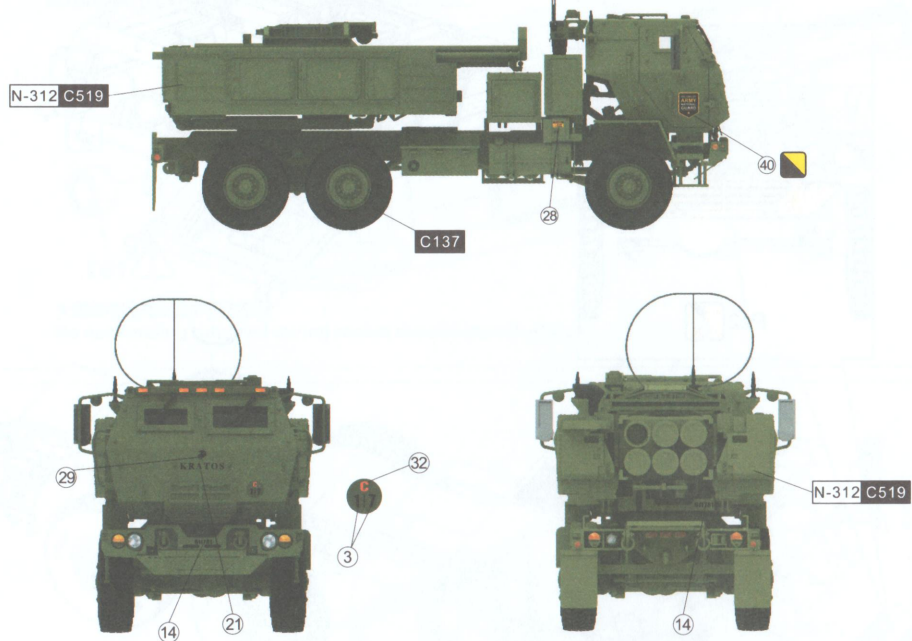
26



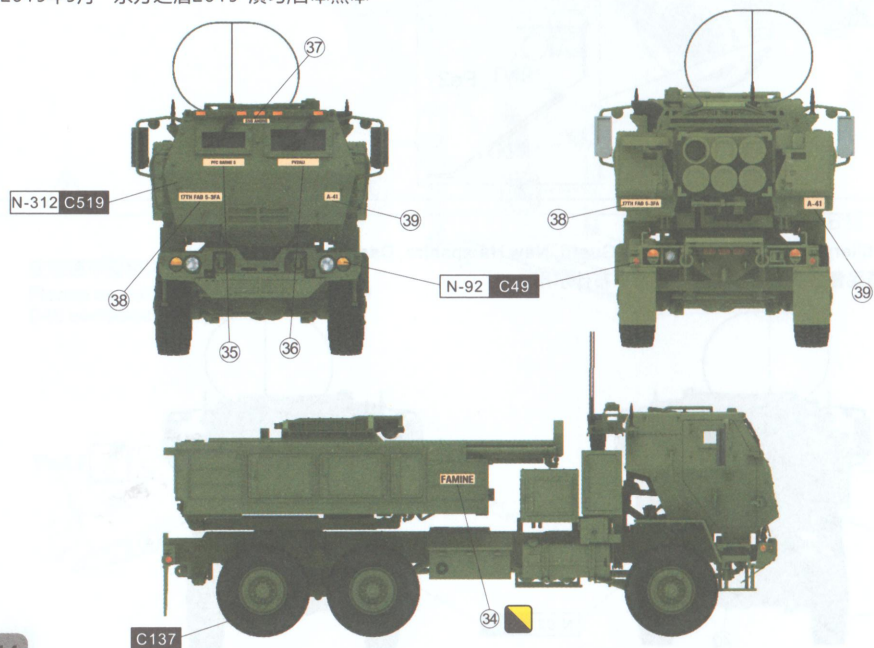
197th Field Artillery Brigade, The National Guard, New Hampshire, December 2021
2021年12月, 国民警卫队197野战炮兵旅, 新罕布什尔州



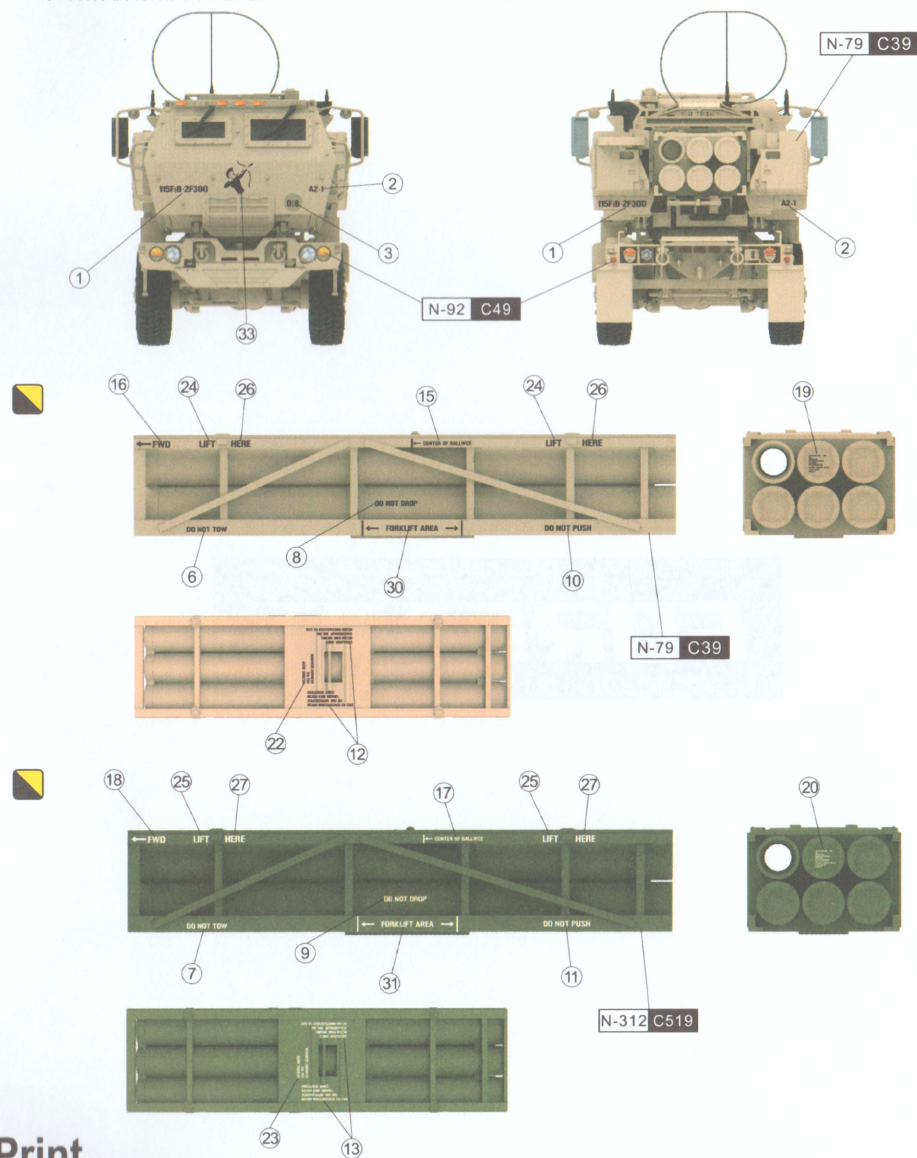
2nd Battalion, 14th Marine Regiment, United States Marine Corps, Florida, May 2022
2022年5月, 美国海军陆战队第14陆战团第2营, 佛罗里达



"Orient Shield 2019" in Kumamoto, September 17, 2019.
2019年9月 "东方之盾2019"演习, 日本熊本



Company A, 2nd Battalion, 300 Field Artillery, Wyoming Army National Guard, June 2015
2015年6月, 怀俄明州陆军国民警卫队第300野战炮兵第2营A连



Print

Color	GSI	TAMIYA	Vaiiejo
沙黄色 Desert Yellow	N-79 C39	XF-59	70.916
军绿色 NATO Green	N-312 C519	XF-67	71.250
透明橙 Clear Orange	N-92 C49	X-26	
胎黑色 Tire Black	C137		