



## Westland Lysander Mk. III (SD)

### 1/75 SCALE MODEL CONSTRUCTION KIT

Ready to assemble scale models kit.

Contains parts for one model.

Model length: 129 mm

Wingspan: 230 mm

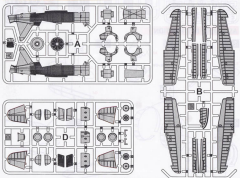
Plastic parts: 178

Plasticated parts: 13

The Westland Lysander (Type 15) was a British army cooperation aircraft developed by Westland Aircraft and manufactured by the Royal Aircraft Establishment (RAF) during the Second World War. It was a single-engine, low-wing, biplane with a fixed landing gear. The aircraft was designed to be a simple, rugged, and easy to maintain aircraft, suitable for use in the most primitive airfields. It was used for a variety of roles, including reconnaissance, liaison, and light bombing. The aircraft was also used for training and as a transport aircraft. The Westland Lysander was one of the most successful army cooperation aircraft of the war.

The Westland Lysander (Type 15) was a British army cooperation aircraft developed by Westland Aircraft and manufactured by the Royal Aircraft Establishment (RAF) during the Second World War. It was a single-engine, low-wing, biplane with a fixed landing gear. The aircraft was designed to be a simple, rugged, and easy to maintain aircraft, suitable for use in the most primitive airfields. It was used for a variety of roles, including reconnaissance, liaison, and light bombing. The aircraft was also used for training and as a transport aircraft. The Westland Lysander was one of the most successful army cooperation aircraft of the war.

### PARTS OF THE MODEL



#### USED SYMBOLS



SHARP EDGE



SHARP CORNER



CHAMFER



CHAMFER



CHAMFER



CHAMFER



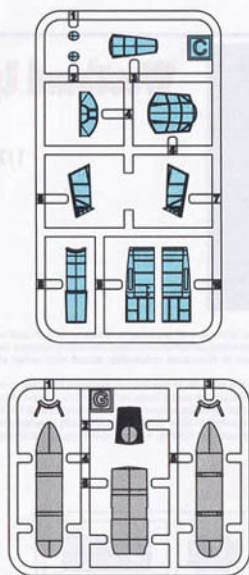
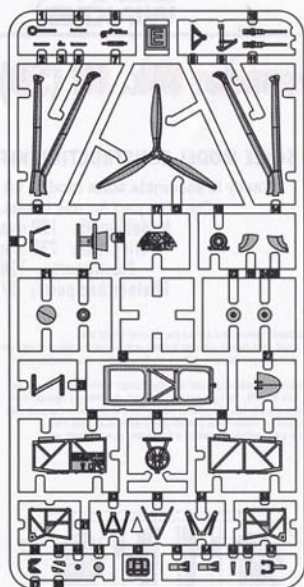
CHAMFER



CHAMFER



CHAMFER



Resin



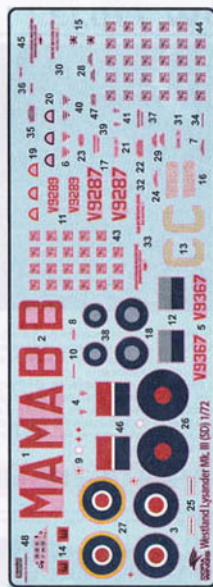
Mask



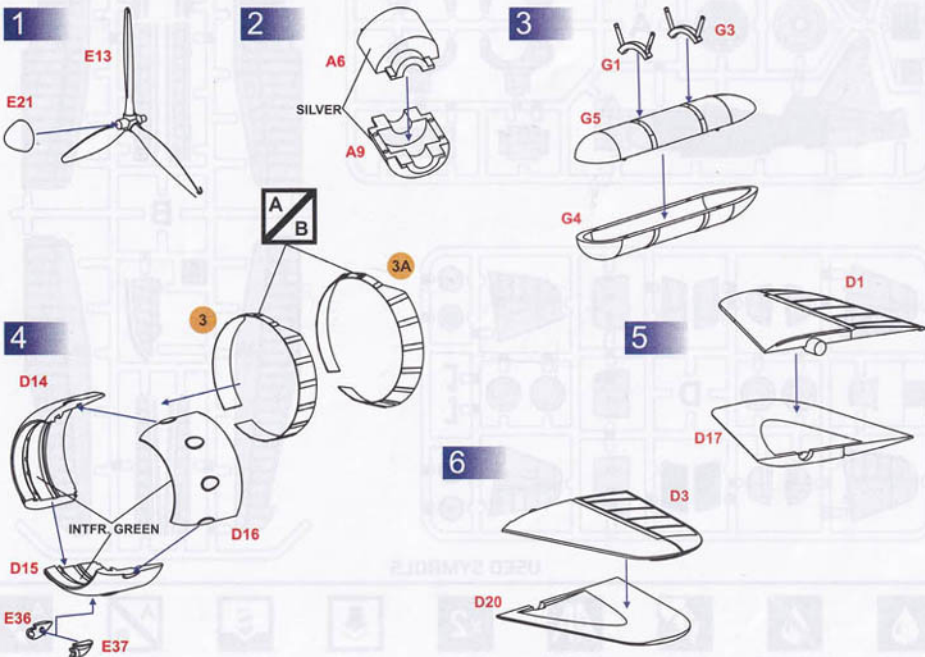
Pe

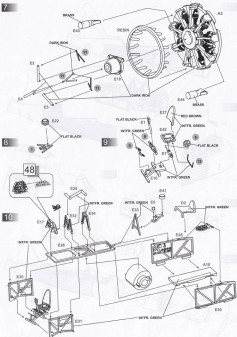


Decal

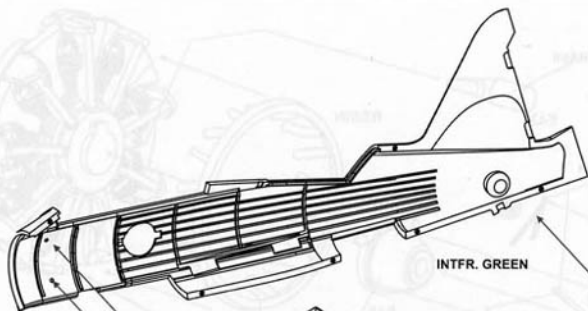


## ASSEMBLY INSTRUCTION

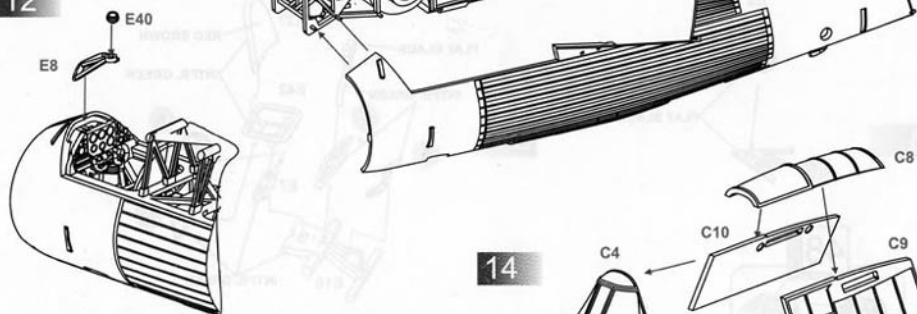




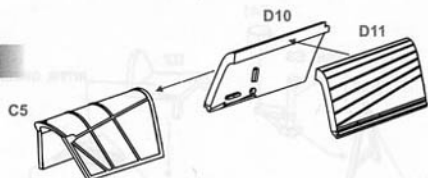
11



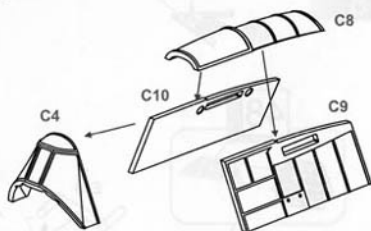
12



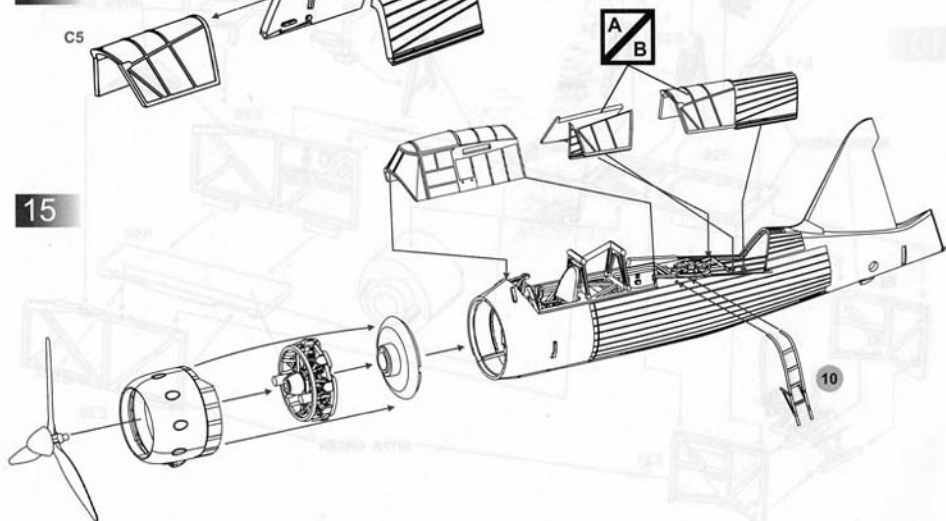
13

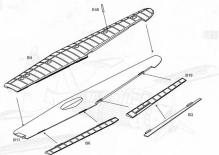
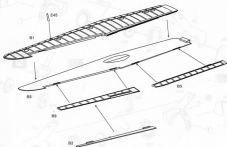


14

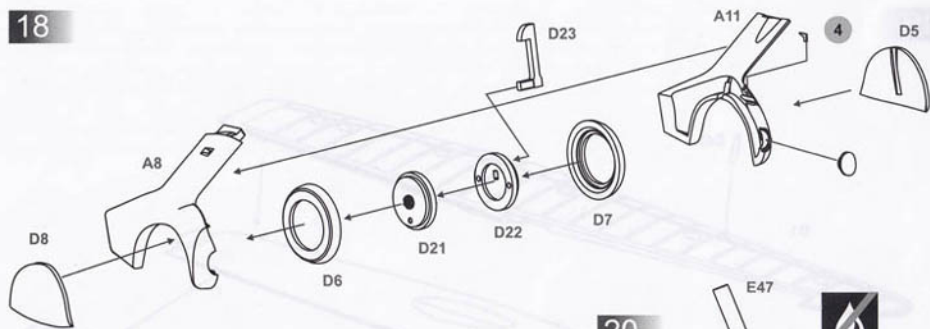


15

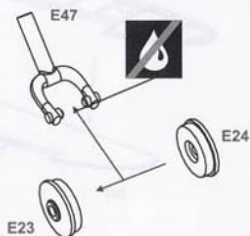




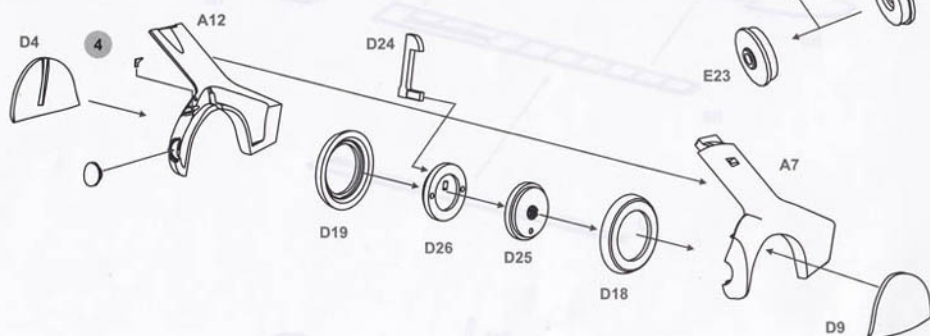
18



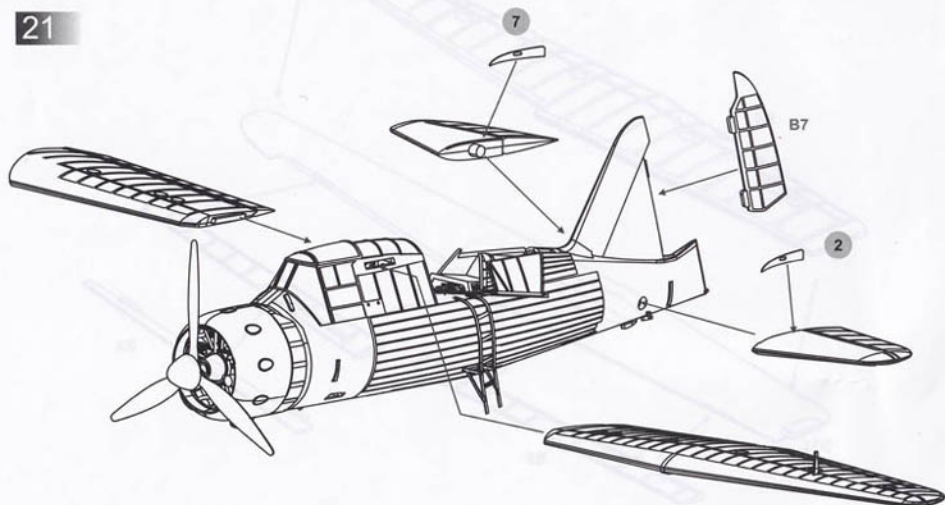
20

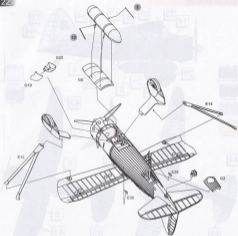


19



21

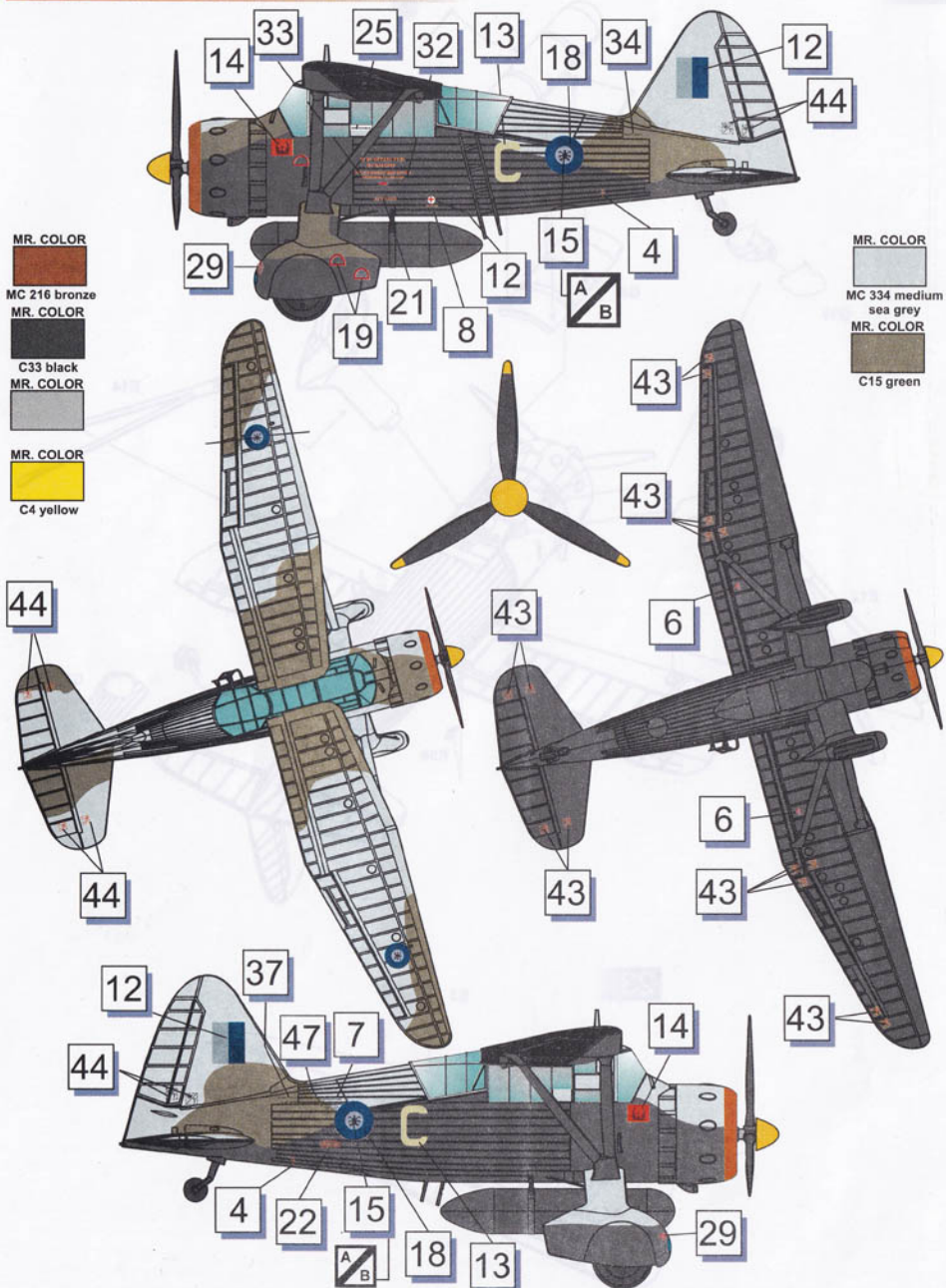




23



# COLOR SCHEME



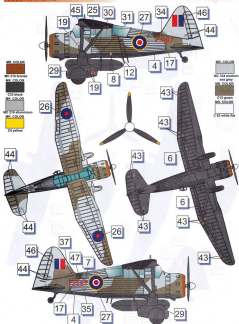
Lysander Mk.III (SD) V9289, No.357 Squadron, Burma, 1945





## COLOR SCHEME

© 2004-2005 by Eduard



Lysander Mk.III (SD) V9287, No.161(SD) Squadron, Tempsford AB, 1942