

HUSEYİN BALTA

**REPUBLIC RF-84F THUNDERFLASH**

RF-84F uçağı A.B.D. Hava Kuvvetlerinin yüksek hızlı foto-keşif uçağı ihtiyacı üzerine Republic firması tarafından F-84F Thunderstreak uçağı temel alınarak, gündüz keşif uçağı olarak geliştirilmiştir.

1954 yılının Mart ayından itibaren hizmete alınan RF-84F uçakları, A.B.D. haricinde Almanya, Danimarka, Fransa, Hollanda, İtalya, Norveç, Yunanistan, Tayvan ve Türkiye' de kullanılmıştır.

Republic firmasının toplam 715 adet imal edilen RF-84F uçaklarından 87 adedi Türk Hava Kuvvetlerinde 1956 – 1980 yılları arasında kullanılmıştır.

**REPUBLIC RF-84F THUNDERFLASH**

Developed by the Republic Aviation Company, the RF-84F Thunderflash was developed as a photo-reconnaissance aircraft based upon the F-84F Thunderstreak and this was as a direct result of the Tactical Air Command requirement for a high speed replacement for the RF-80. Production of the RF-84F began in 1954 and it humbly served throughout the world.

Most of the production run served the United States Air Force but small batches were also exported to different NATO countries. Among those using the aircraft were the Air Forces of Germany, Denmark, France, Netherlands, Italy, Norway, Greece, Taiwan and Turkey. The Republic Company manufactured some 715 RF-84F aircraft and of those, 78 were used by the Turkish Air Force between 1956 and 1980.

**Teknik Veriler**

**UZUNLUK** : 14,48m ( 47' 6,5" )

**KANAT GENİŞLİĞİ** : 10,20m ( 33' 5,2" )

**YERDEN YÜKSEKLİK** : 4,57m ( 15' )

**MOTOR** : Wright J65-W-7

**AZAMİ İRTİFA** : 13.900m ( 45.600ft )

**AZAMİ HIZ** : 1093km/s ( 679mph ) Deniz seviyesinde

**AZAMİ KALKIŞ AĞIRLIĞI** : 11.520kg ( 25.400lb )

**SİLAHLARI** : 4 x 12,7mm Makinalı Top

**Technical Data**

**LENGTH** : 14,48m ( 47' 6,5" )

**WINGSPAN** : 10,20m ( 33' 5,2" )

**HEIGHT** : 4,57m ( 15' )

**POWERPLANT** : Wright J65-W-7

**SERVICE CEILING**: 13.900m ( 45.600ft )

**MAX. SPEED** : 1093km/s ( 679mph ) at sea level

**MAX. TAKEOFF WEIGHT** : 11.520kg ( 25.400lb )

**ARMAMENT** : 4 x 50 Cal. Machine Guns

 Yapıştırmayın Nicht Kleben Don't glue Ne pas coller
  Ayırmak isterseniz kesin Cut for Alternative Assembly Schneiden für alternatives Spleißen
  Seçenekli birleştirme Alternative assembly
  Ağırlık ekleyin Add weight
  Beschwerden Ajourer du lester

**! Tüm parçalar kullanıldığı takdirde ağırlık gerekmemektedir. | There is no need for any weight in case all parts are used.**



**A:** GUNZE H218 HUMBROL 56  
**D:** GUNZE H211 HUMBROL 11  
**G:** GUNZE H90 HUMBROL 1321  
**J:** GUNZE H76 HUMBROL 53

**B:** GUNZE H13 HUMBROL 153  
**E:** GUNZE H334 HUMBROL 167  
**H:** GUNZE H34 HUMBROL 103  
**K:** GUNZE H93 HUMBROL 91320

**C:** GUNZE H12 HUMBROL 33  
**F:** GUNZE H58 HUMBROL 81  
**I:** GUNZE H18 HUMBROL 27003

Moulds and design are manufactured by and are the property of TANMODEL Plastic Model Kits. All copyright infringements are liable to prosecution.

Kalıplar ve tasarım TANMODEL Plastik Model Kitleri'nin mülkiyeti altındadır. Taklit edilmesi halinde yasal haklarımız mahkemece takip edilecektir.



**F18** : Parça No / Part Numbers

**G15** : Şeffaf Parça / Clear Parts

**E** : Renk Kodu / Paint Codes

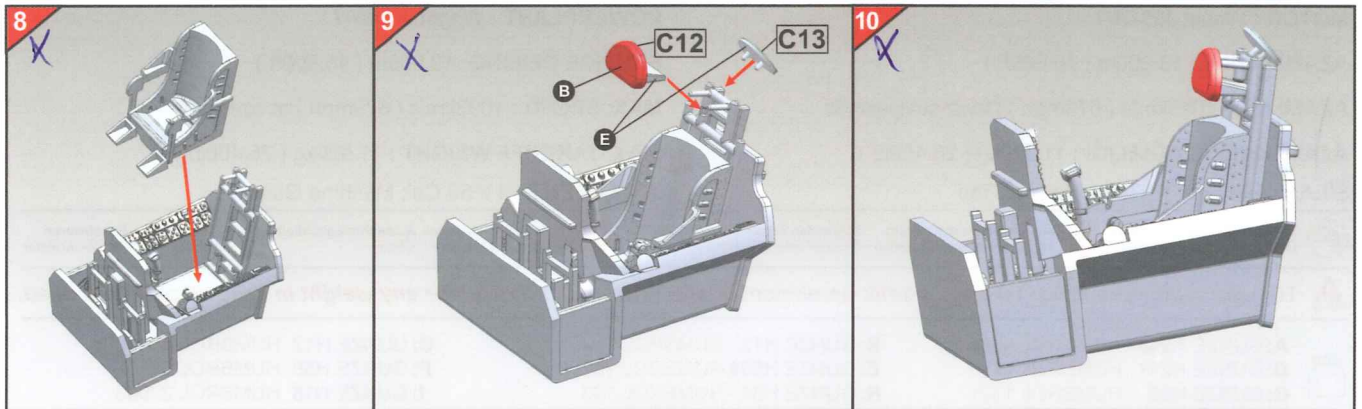
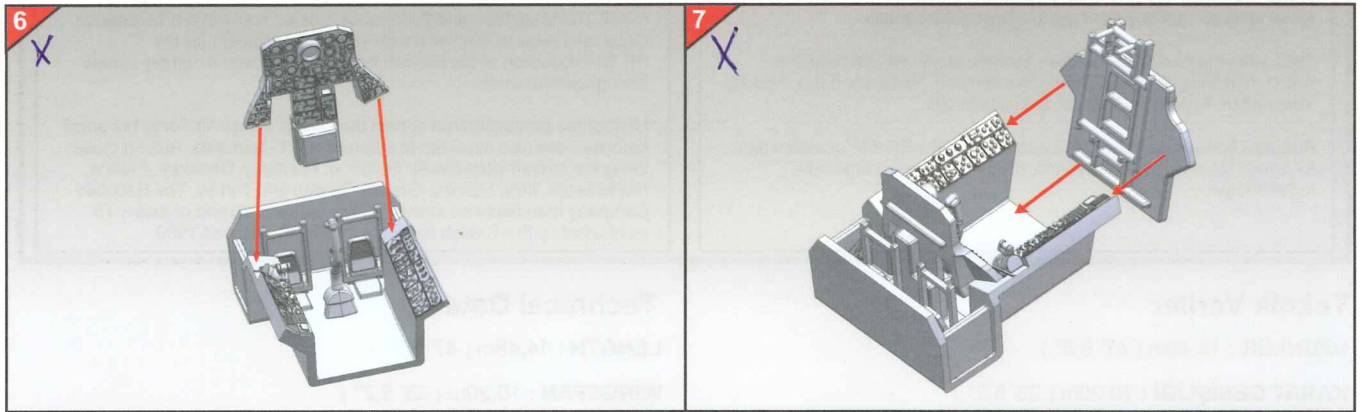
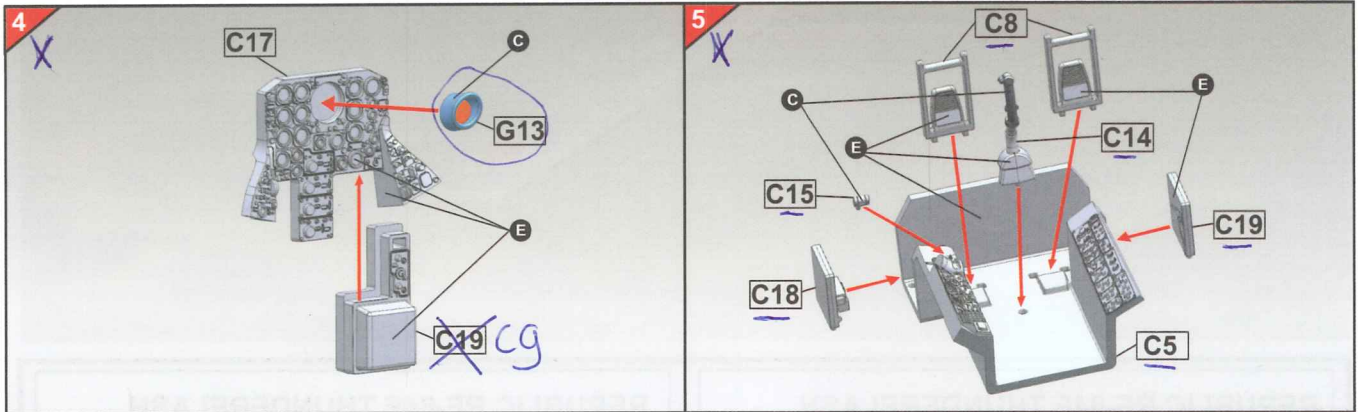
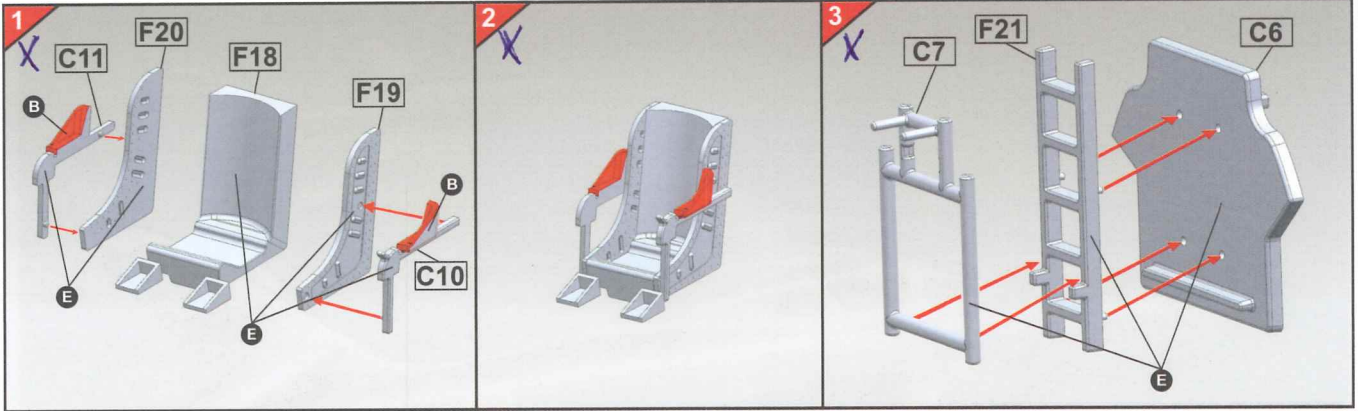
**Bu sayfada tavsiye edilen boya kodları - The paint codes recommended on this page**



**B**: GUNZE H13 - HUMBROL 153

**C**: GUNZE H12 - HUMBROL 33

**E**: GUNZE H334 - HUMBROL 167



Bu sayfada tavsiye edilen boya kodları - The paint codes recommended on this page



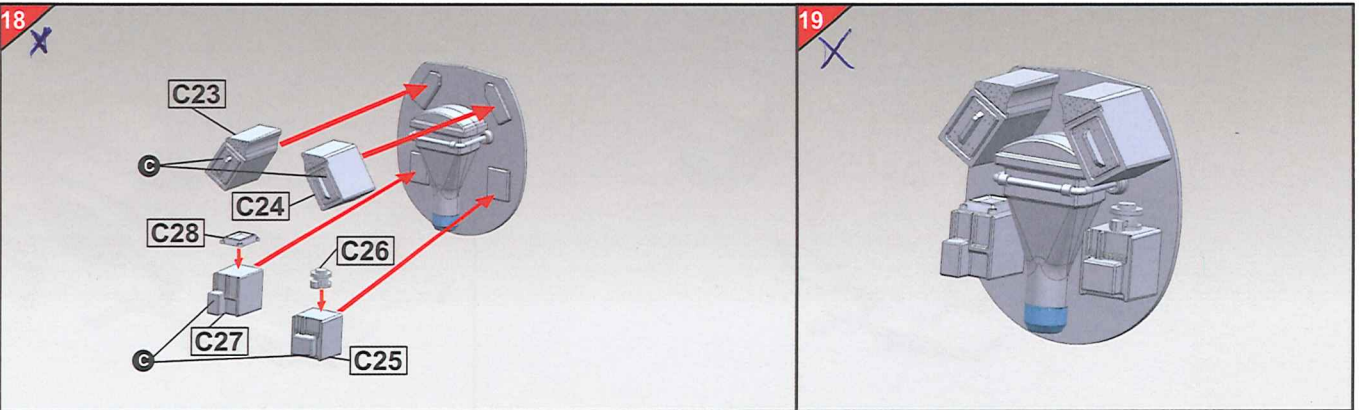
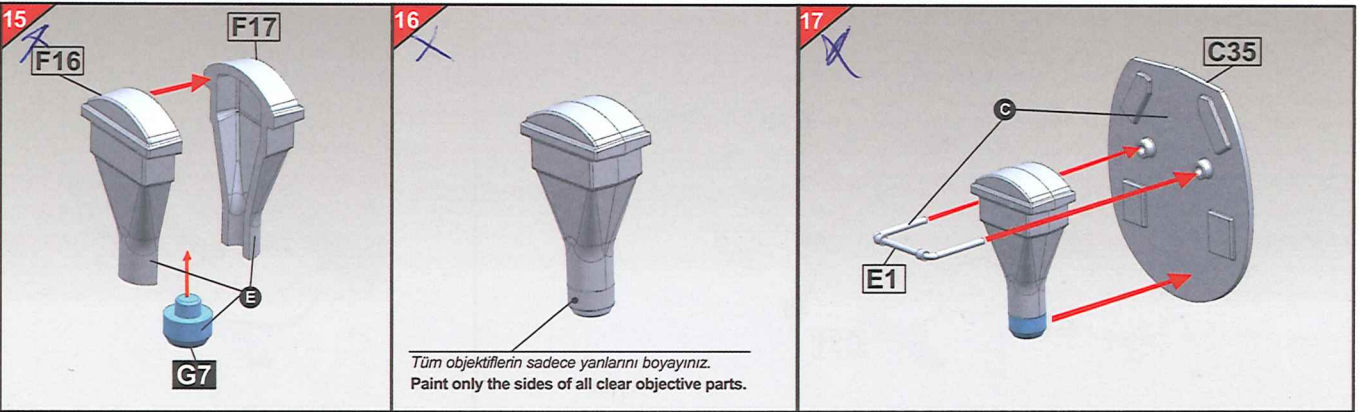
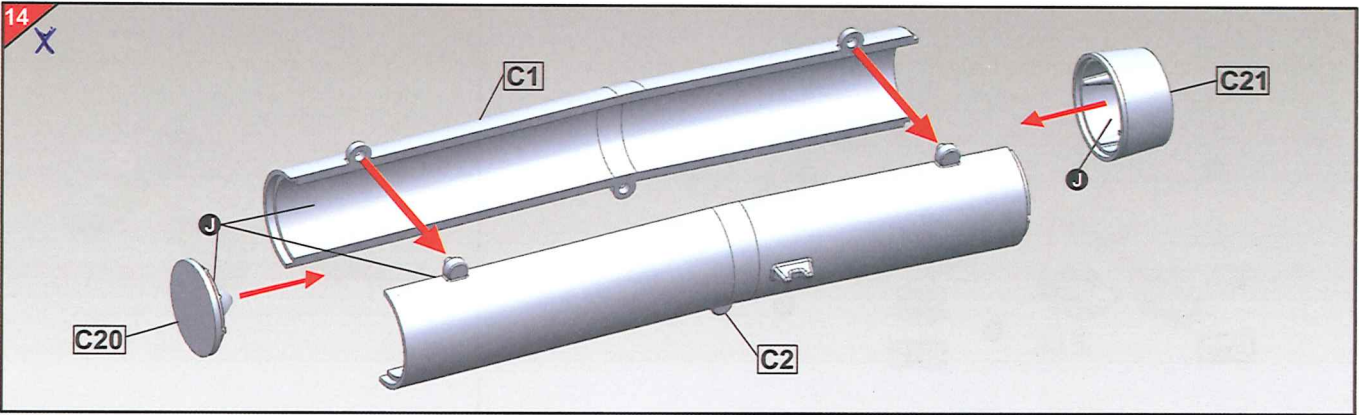
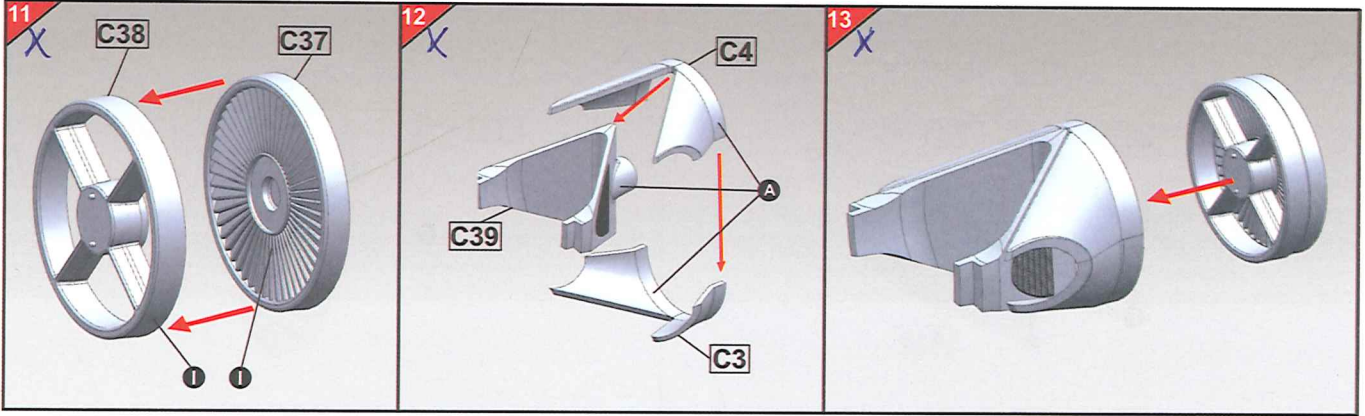
A: GUNZE H218 - HUMBROL 56

C: GUNZE H12 - HUMBROL 33

E: GUNZE H334 - HUMBROL 167

I: GUNZE H18 - HUMBROL 27003

J: GUNZE H76 - HUMBROL 53



Bu sayfada tavsiye edilen boya kodları - The paint codes recommended on this page

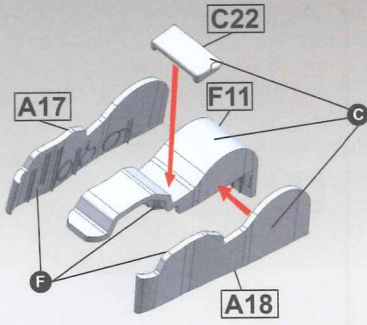


C: GUNZE H12 - HUMBROL 33

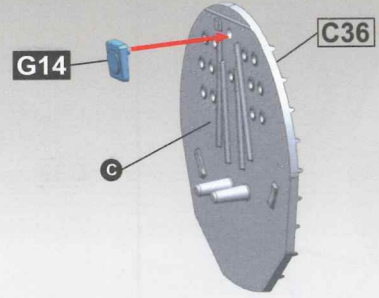
E: GUNZE H334 - HUMBROL 167

F: GUNZE H58 - HUMBROL 81

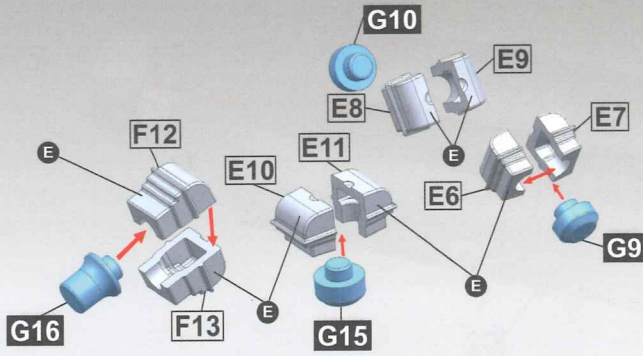
20



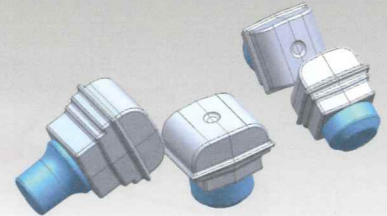
21



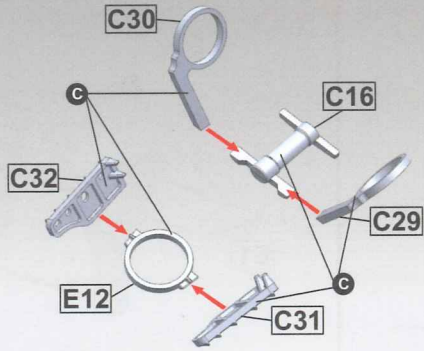
22



23



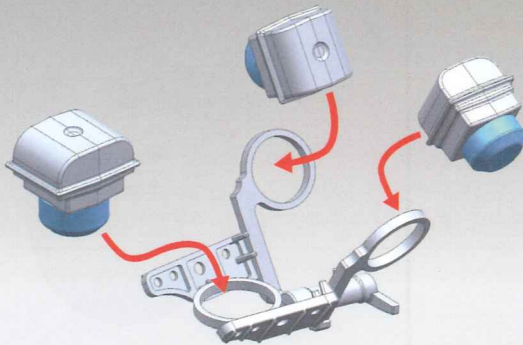
24



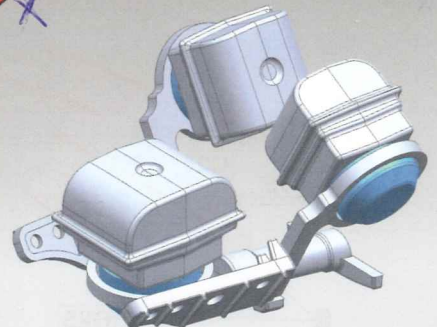
25



26

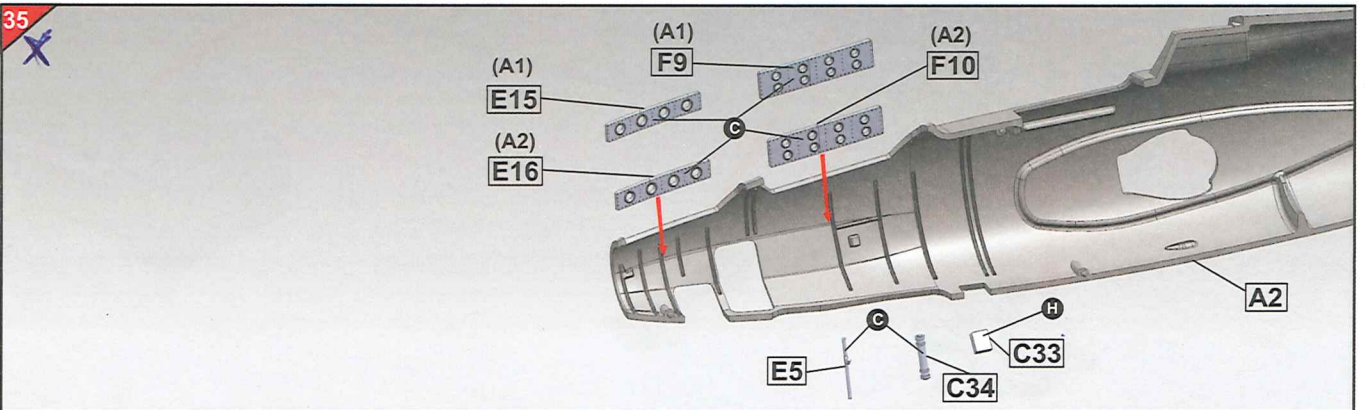
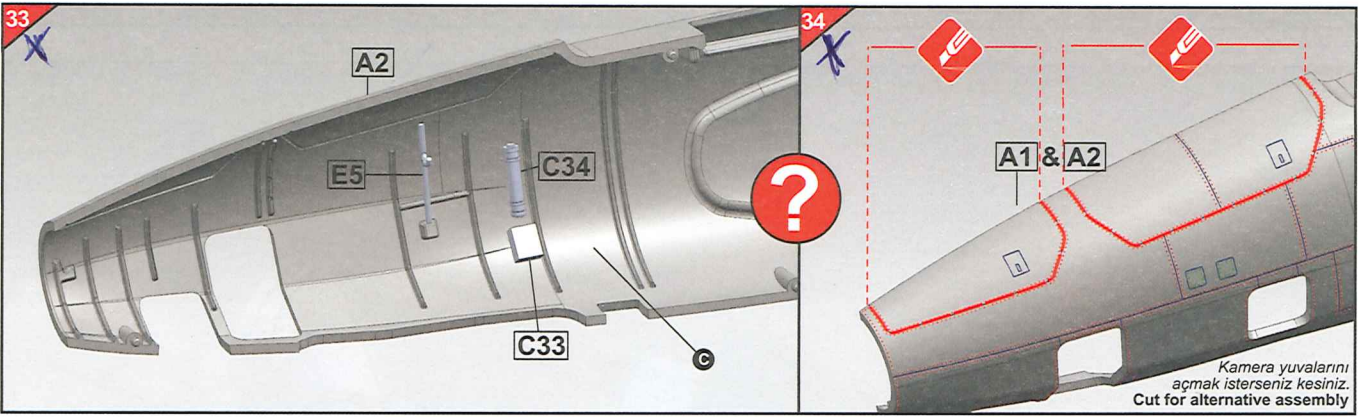
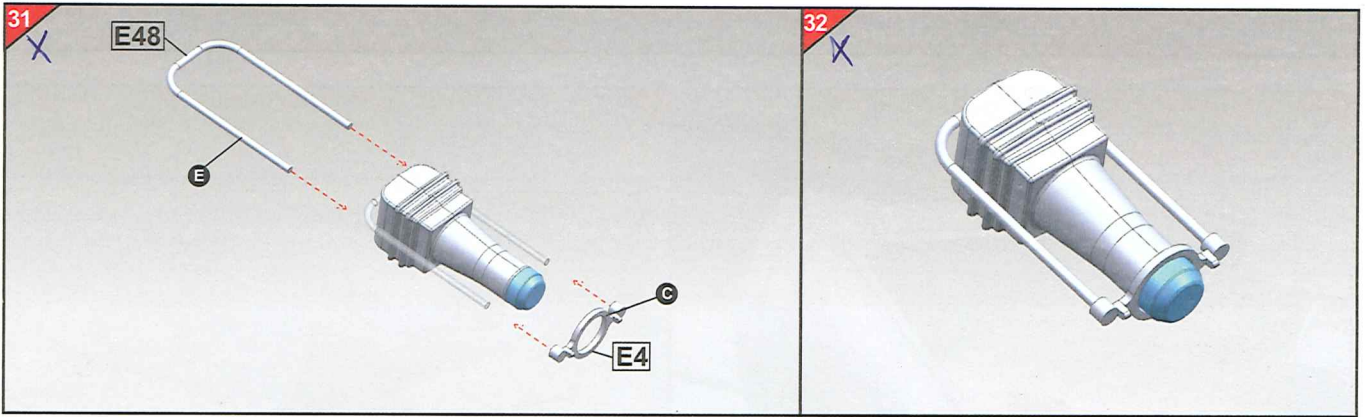
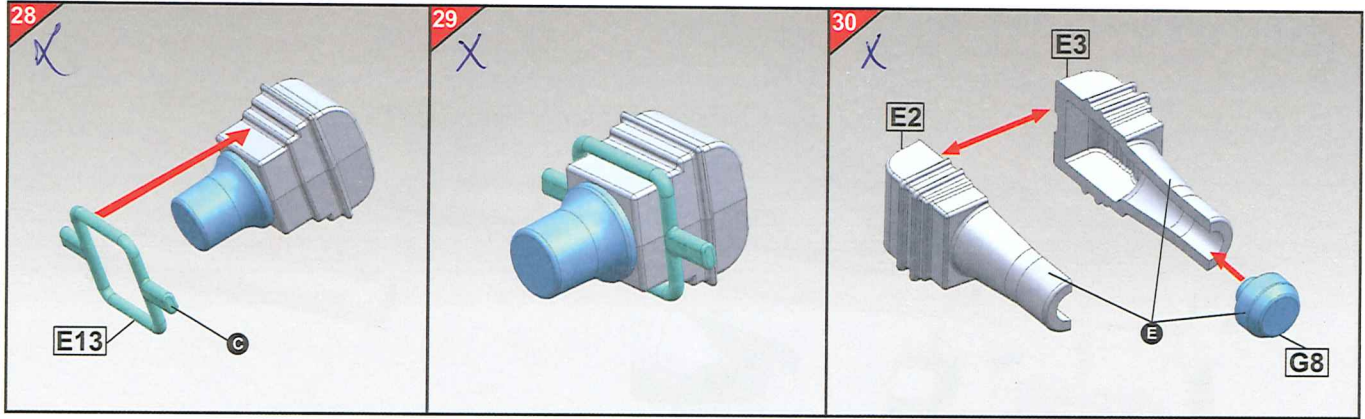


27





**Bu sayfada tavsiye edilen boya kodları - The paint codes recommended on this page**  
 **C:** GUNZE H12 - HUMBROL 33    **E:** GUNZE H334 - HUMBROL 167    **H:** GUNZE H34 - HUMBROL 103

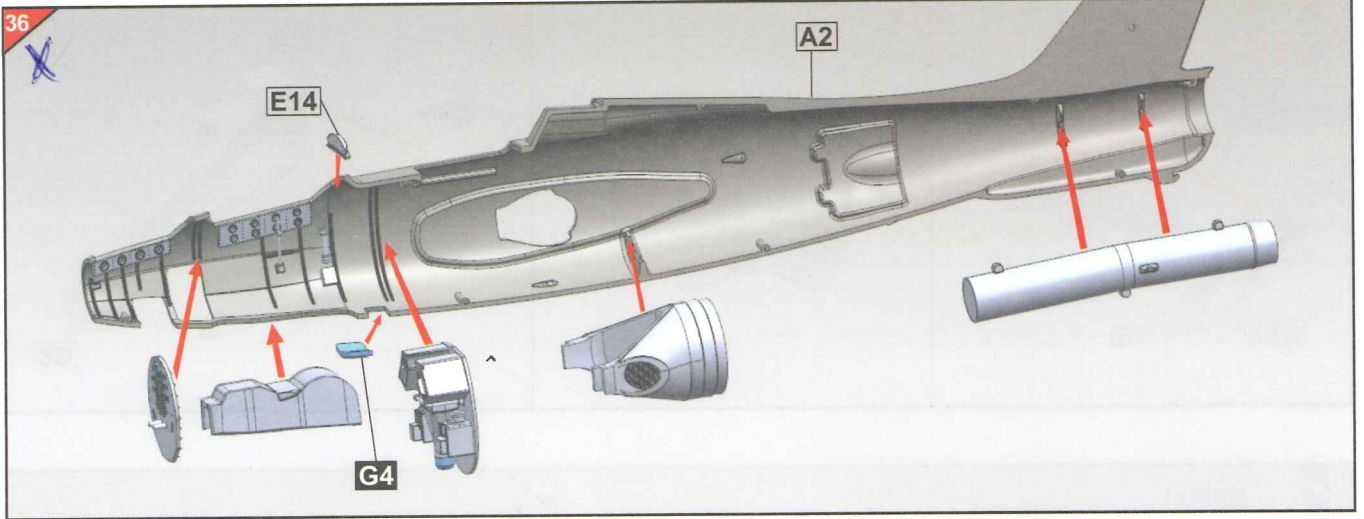




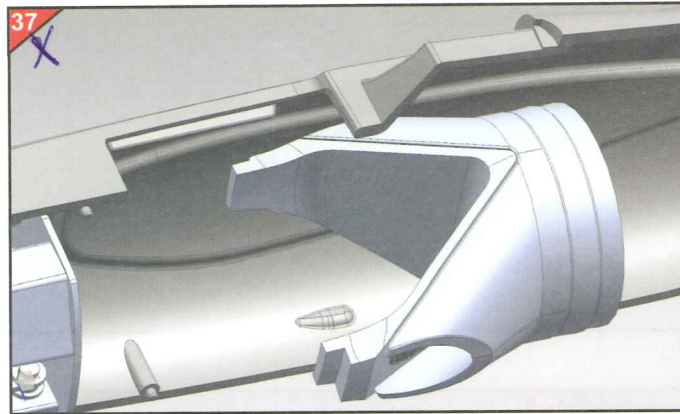
15

Tüm parçalar kullanıldığında ağırlık gerekmemektedir. | There is no need for any weight in case all parts are used.

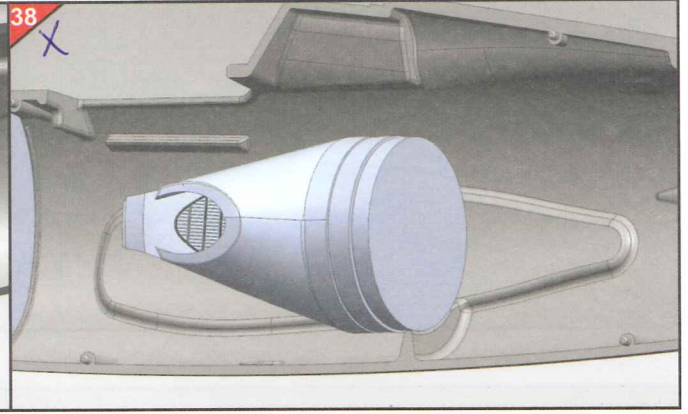
36



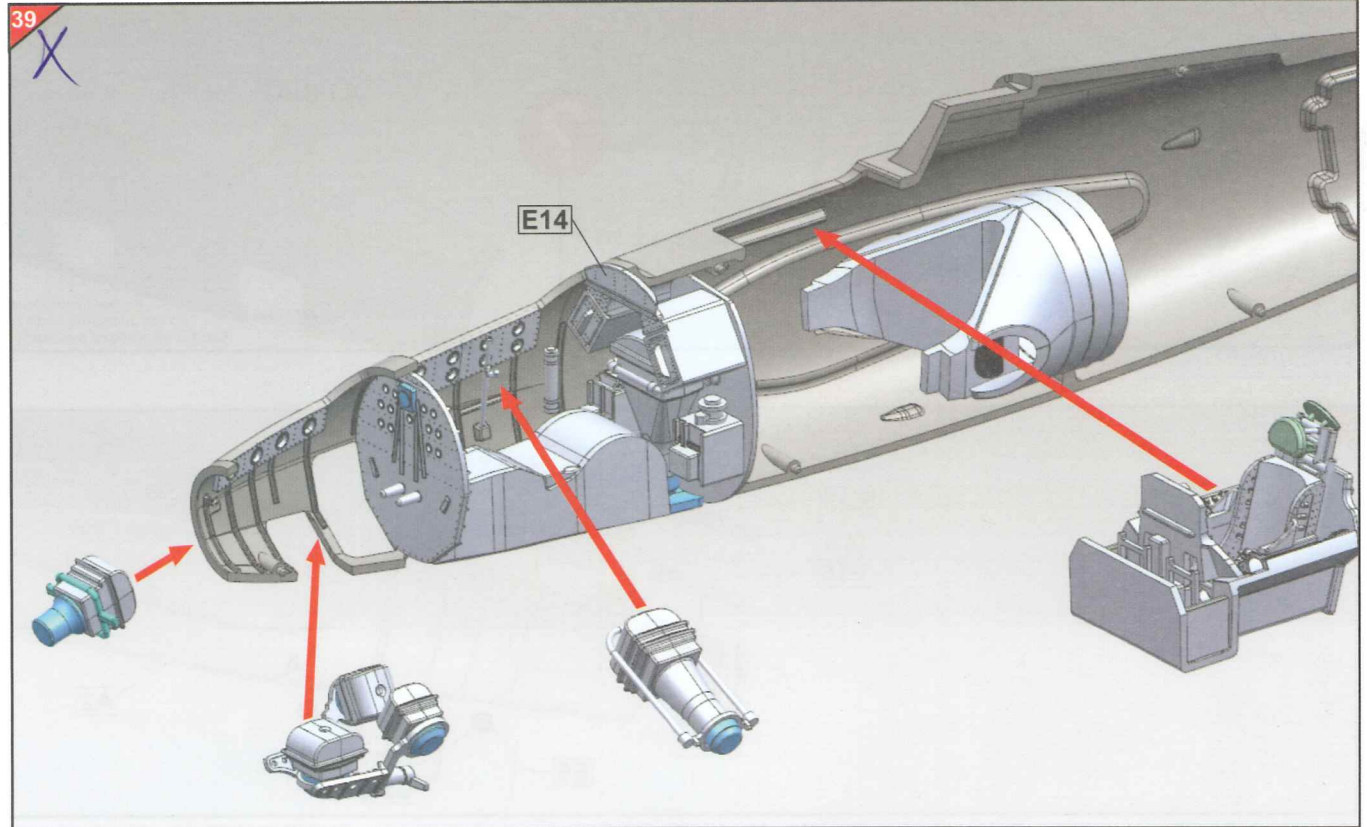
37



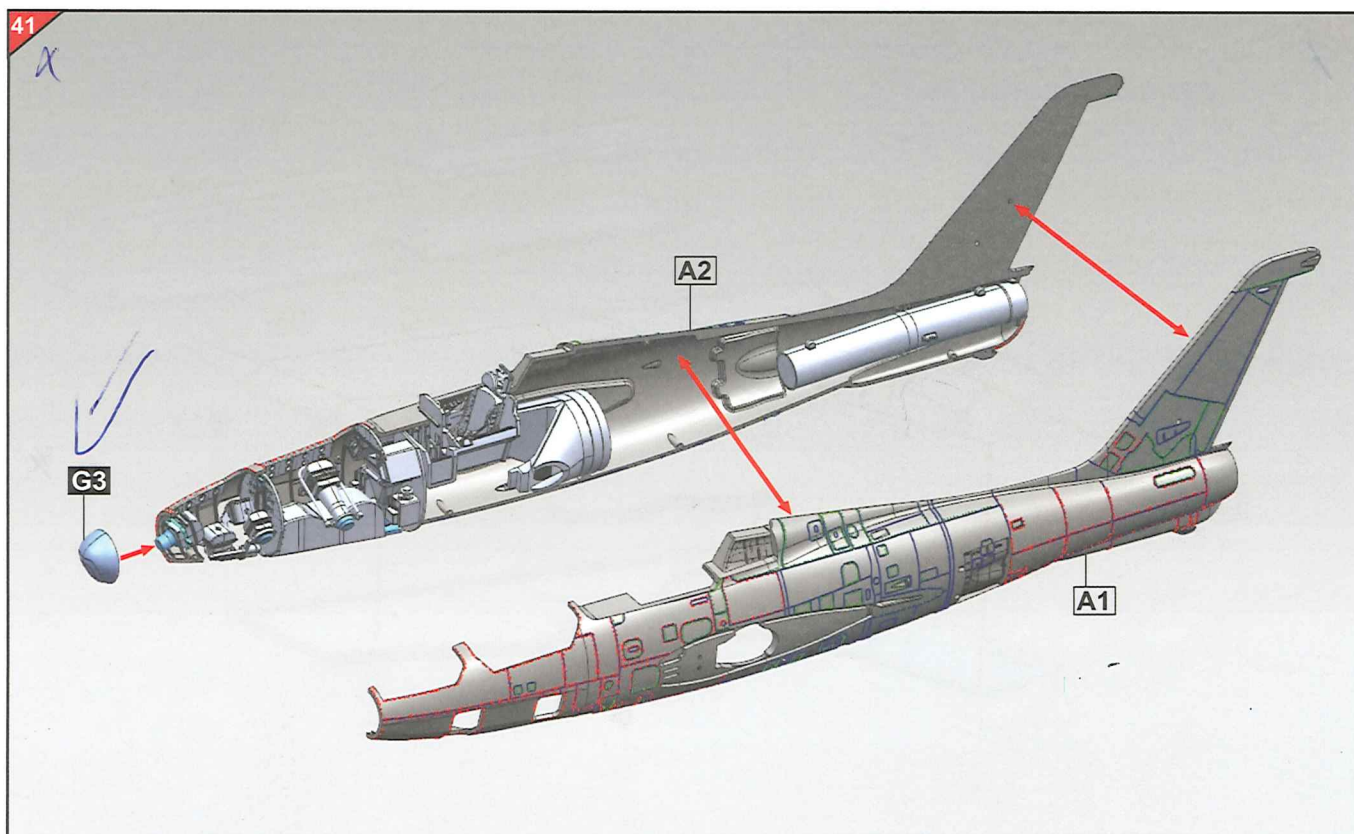
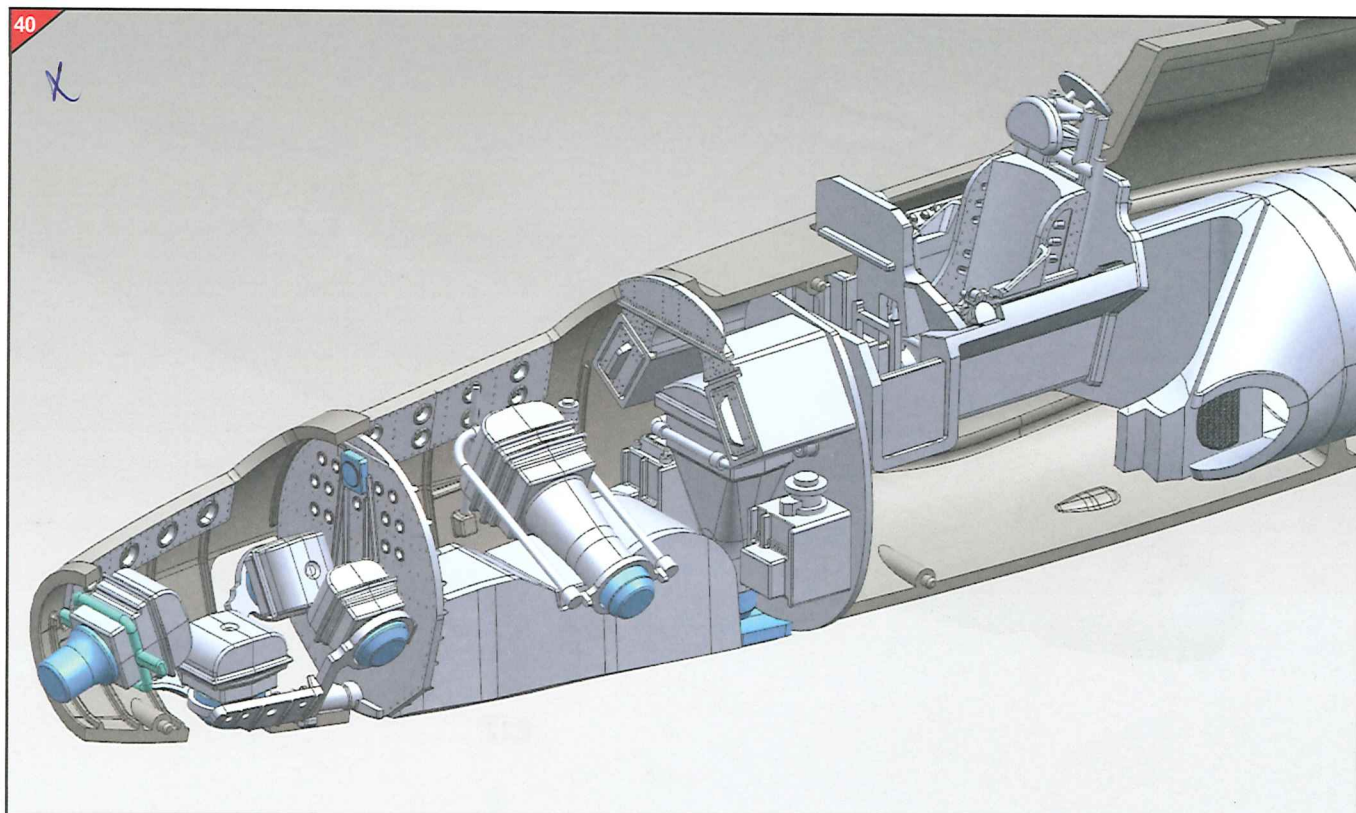
38



39



X



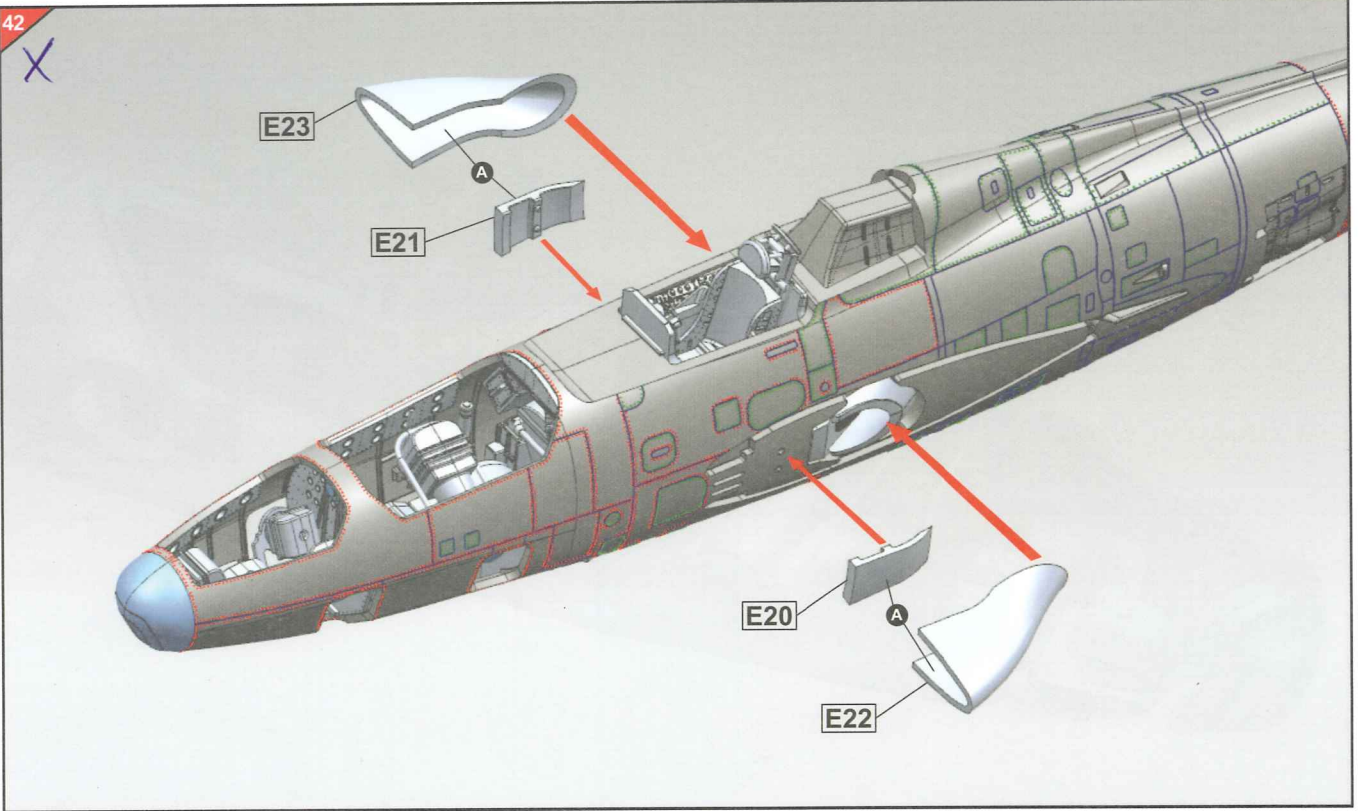


Bu sayfada tavsiye edilen boya kodları - The paint codes recommended on this page

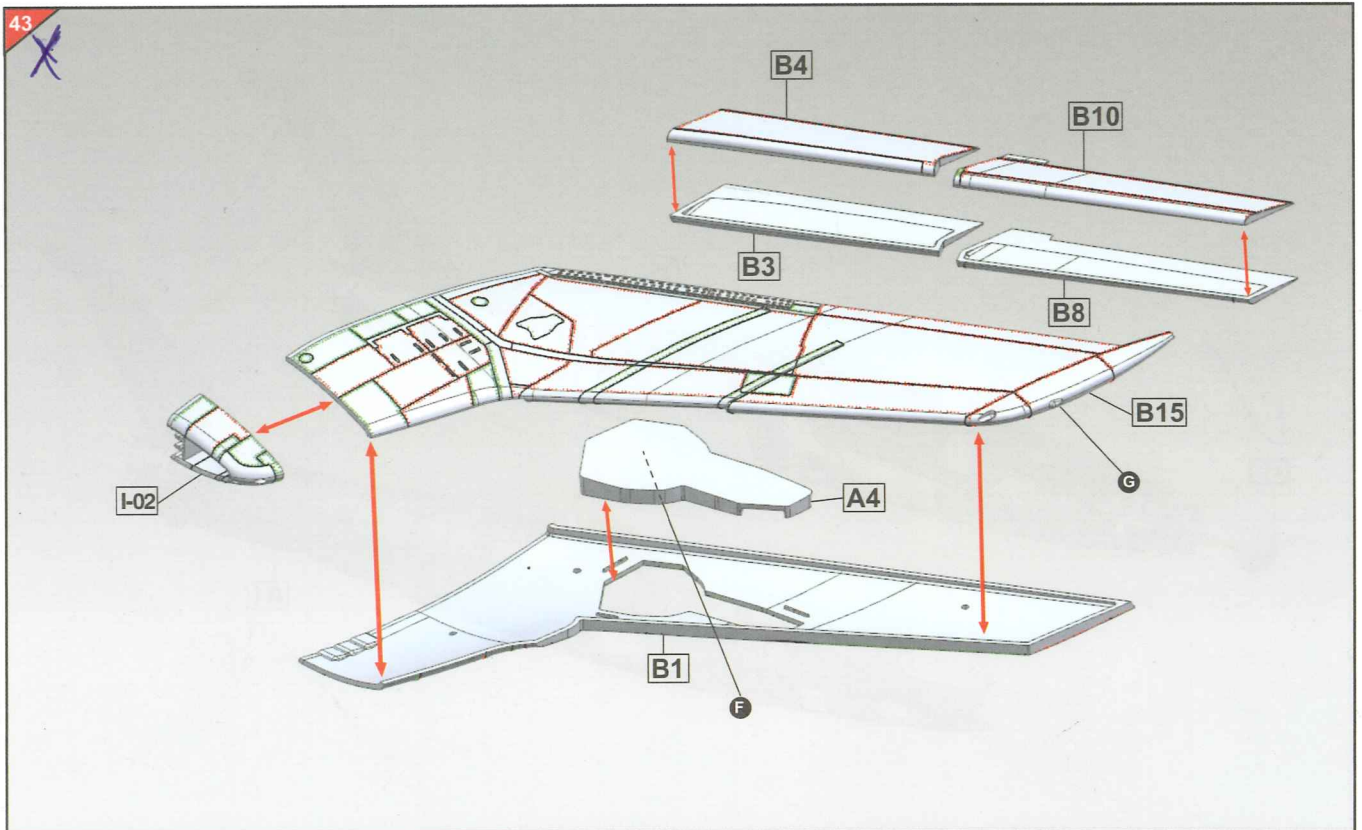


A: GUNZE H218 - HUMBROL 56 G: GUNZE H90 - HUMBROL 1321 F: GUNZE H58 - HUMBROL 81

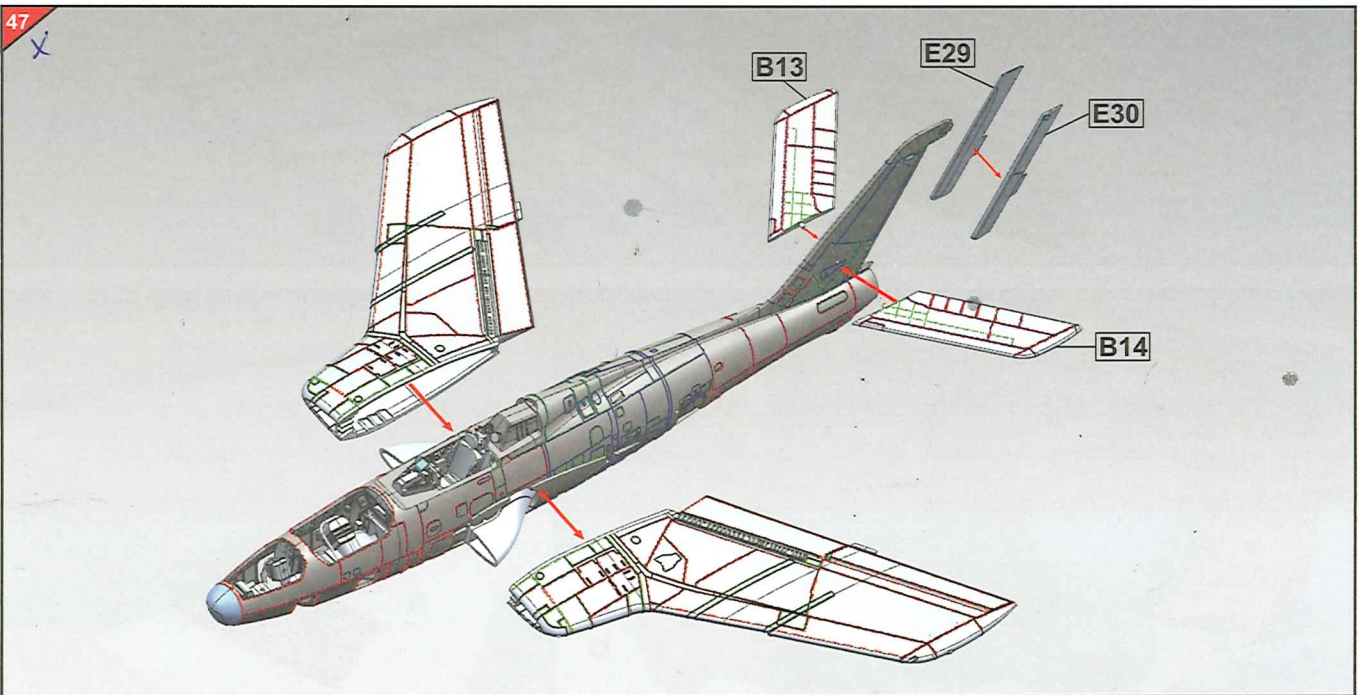
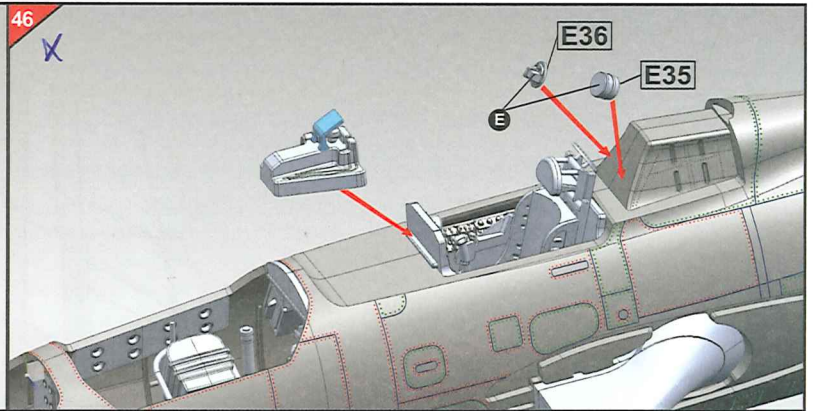
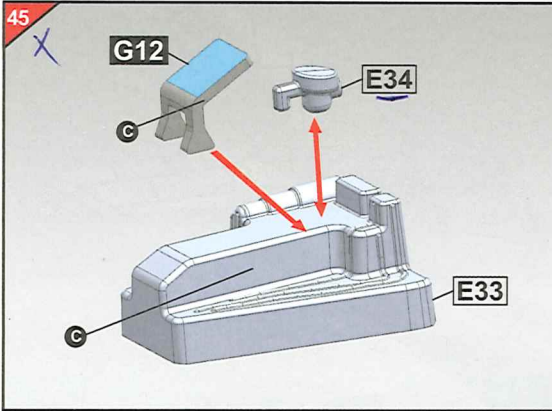
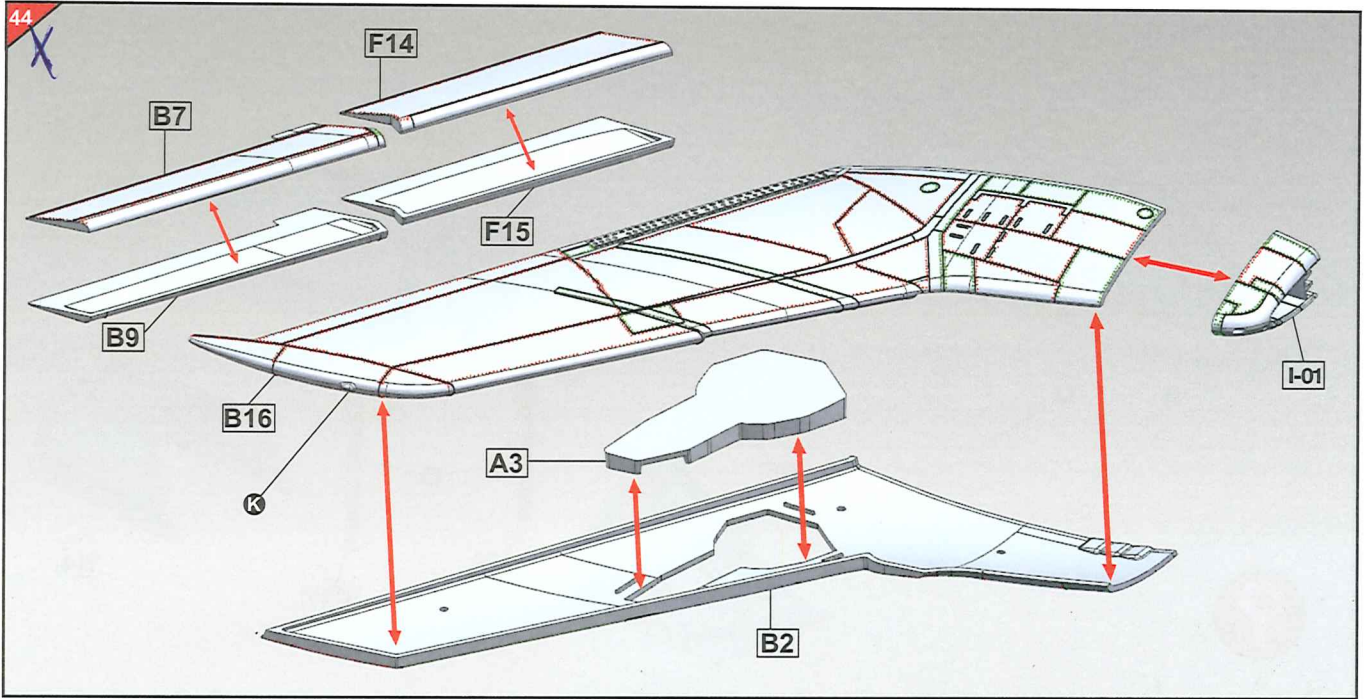
42



43







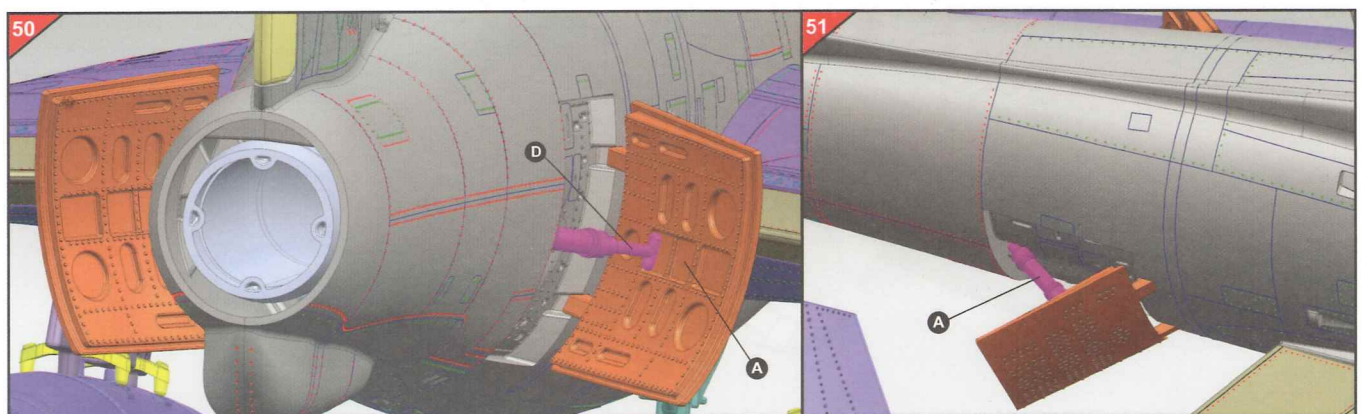
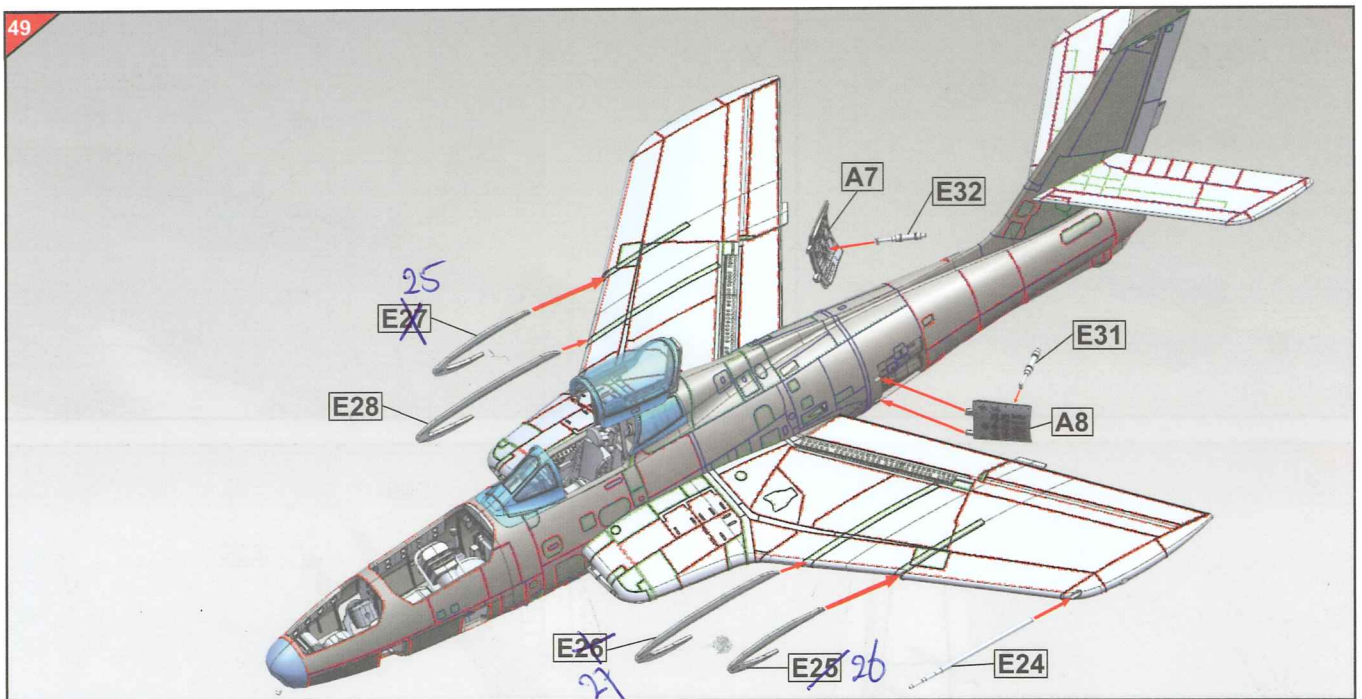
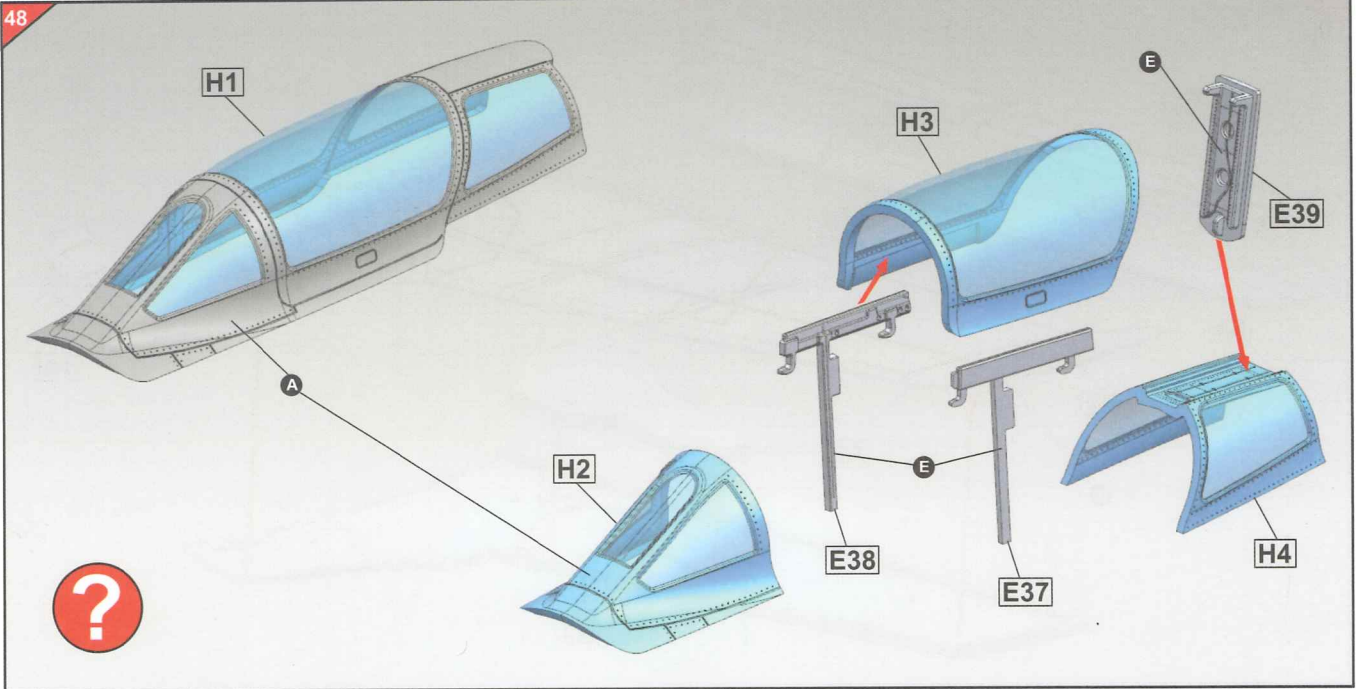
Bu sayfada tavsiye edilen boya kodları - The paint codes recommended on this page



A: GUNZE H218 - HUMBROL 56

D: GUNZE H211 - HUMBROL 11

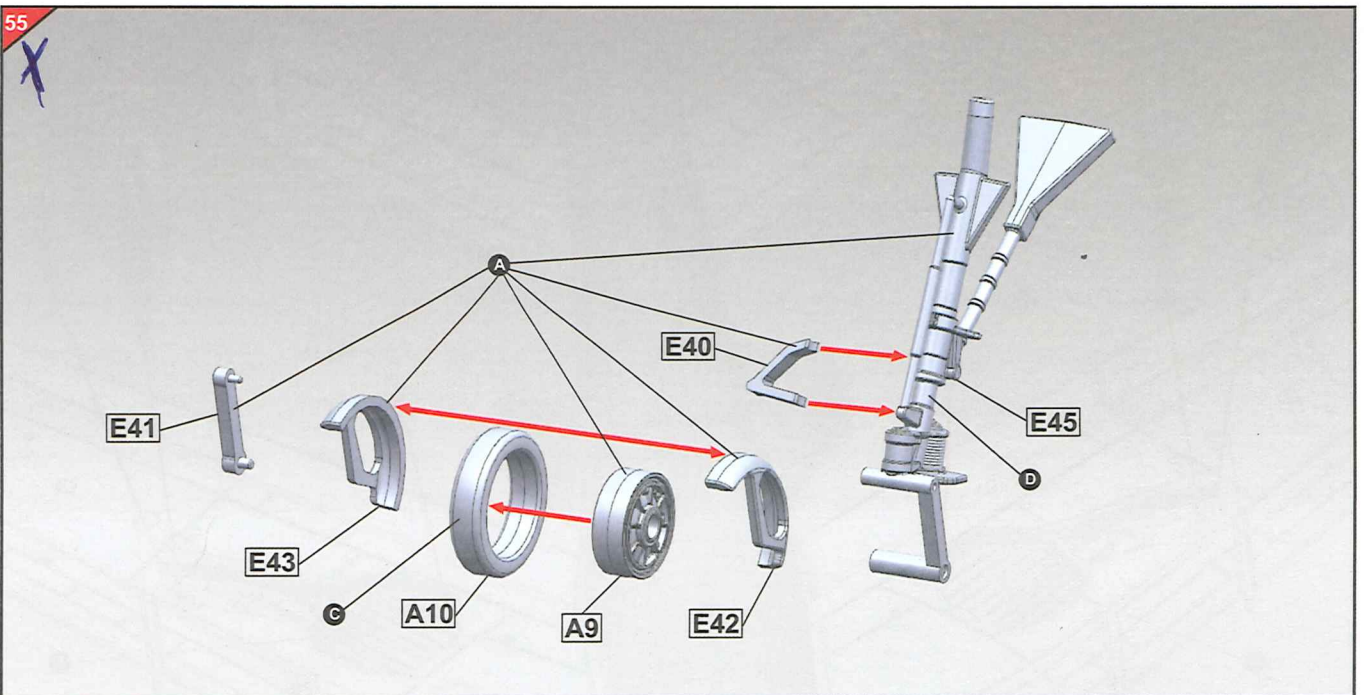
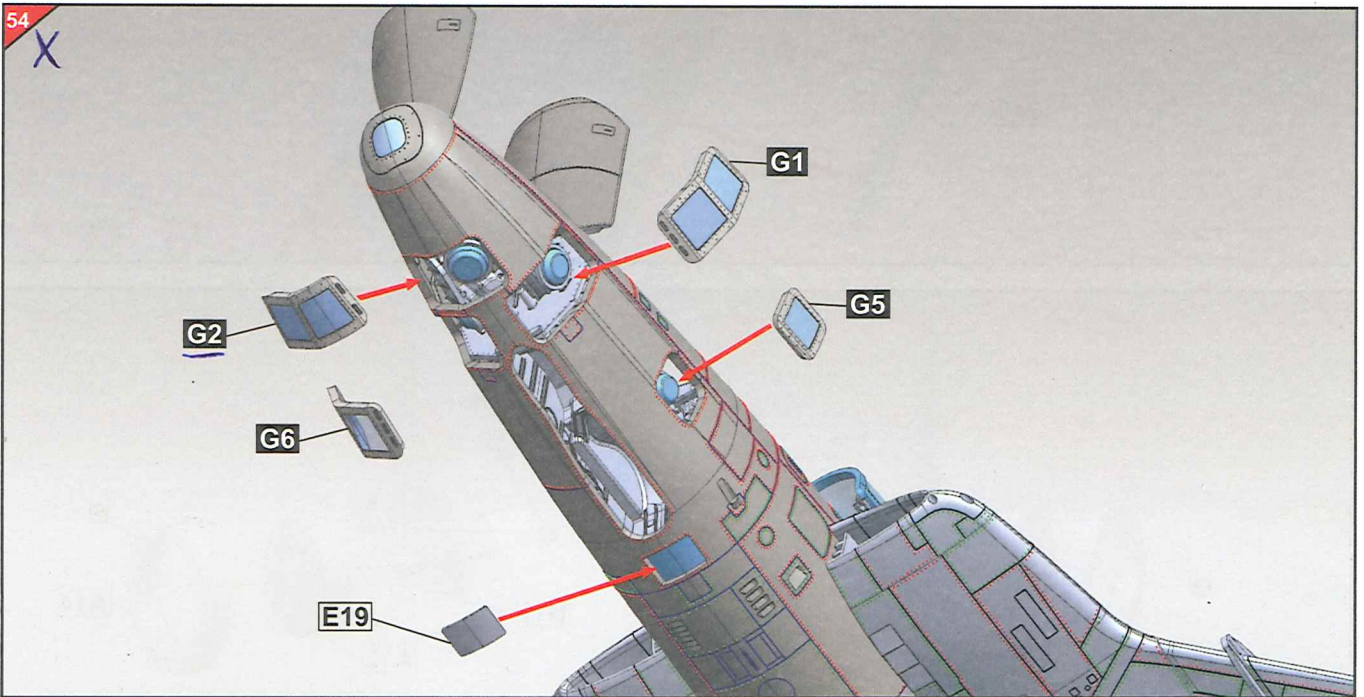
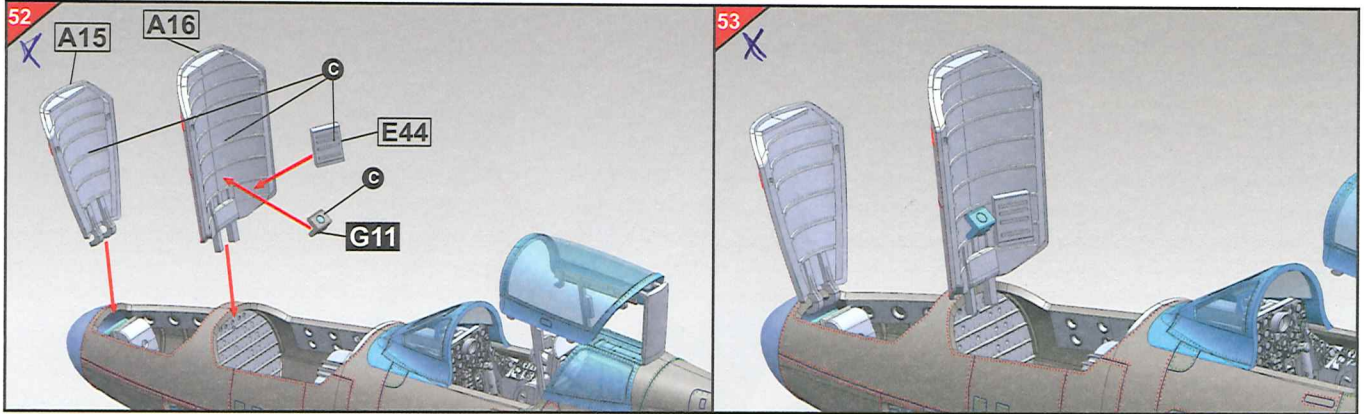
E: GUNZE H334 - HUMBROL 167



Bu sayfada tavsiye edilen boya kodları - The paint codes recommended on this page



A: GUNZE H218 - HUMBROL 56 C: GUNZE H12 - HUMBROL 33 D: GUNZE H211 - HUMBROL 11



X

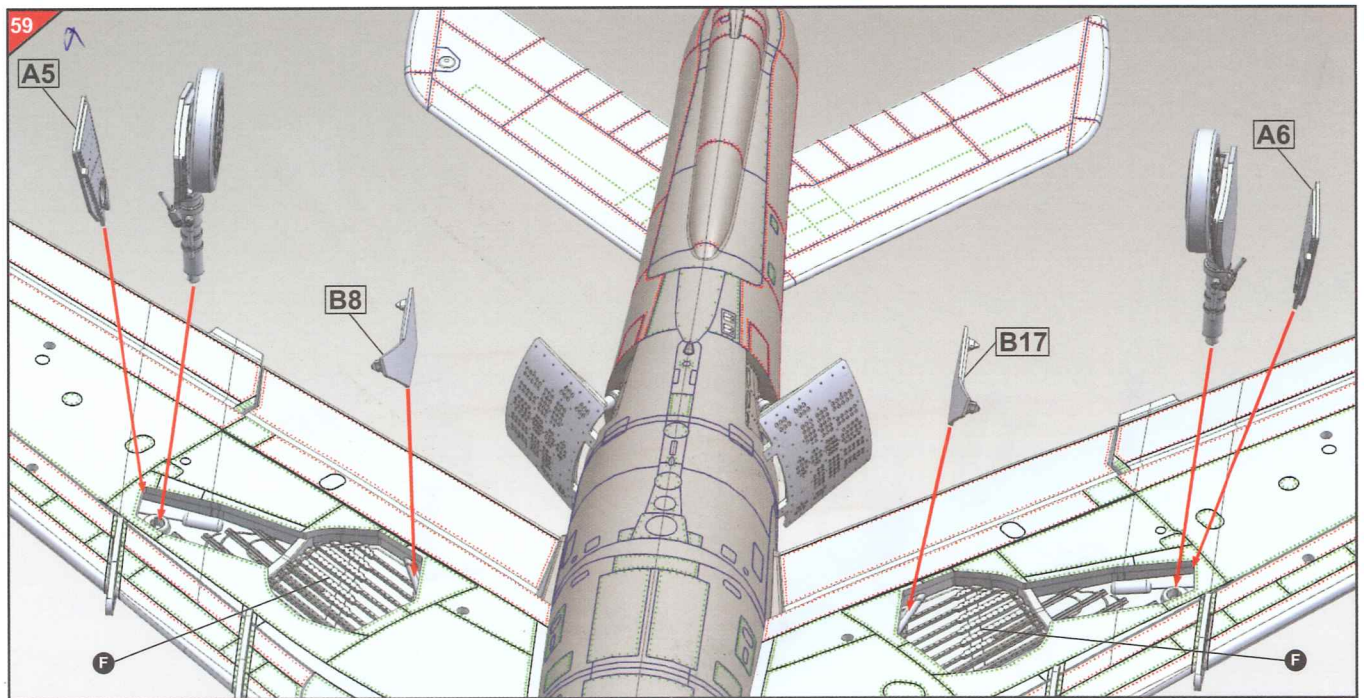
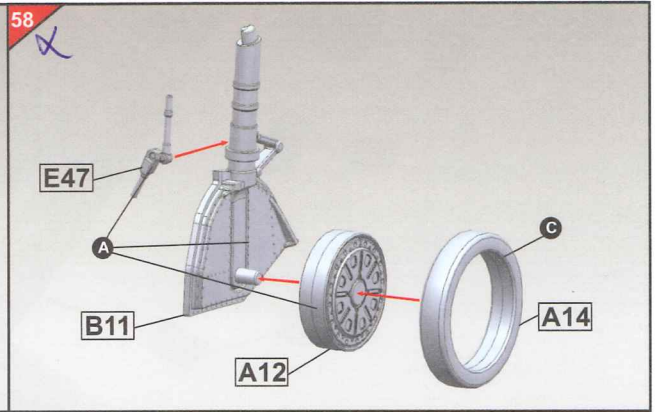
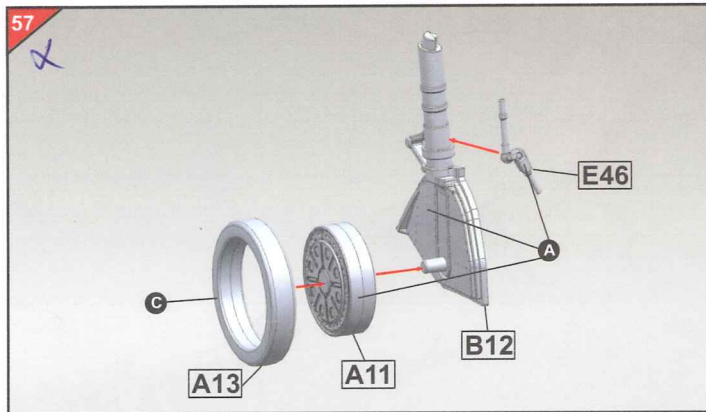
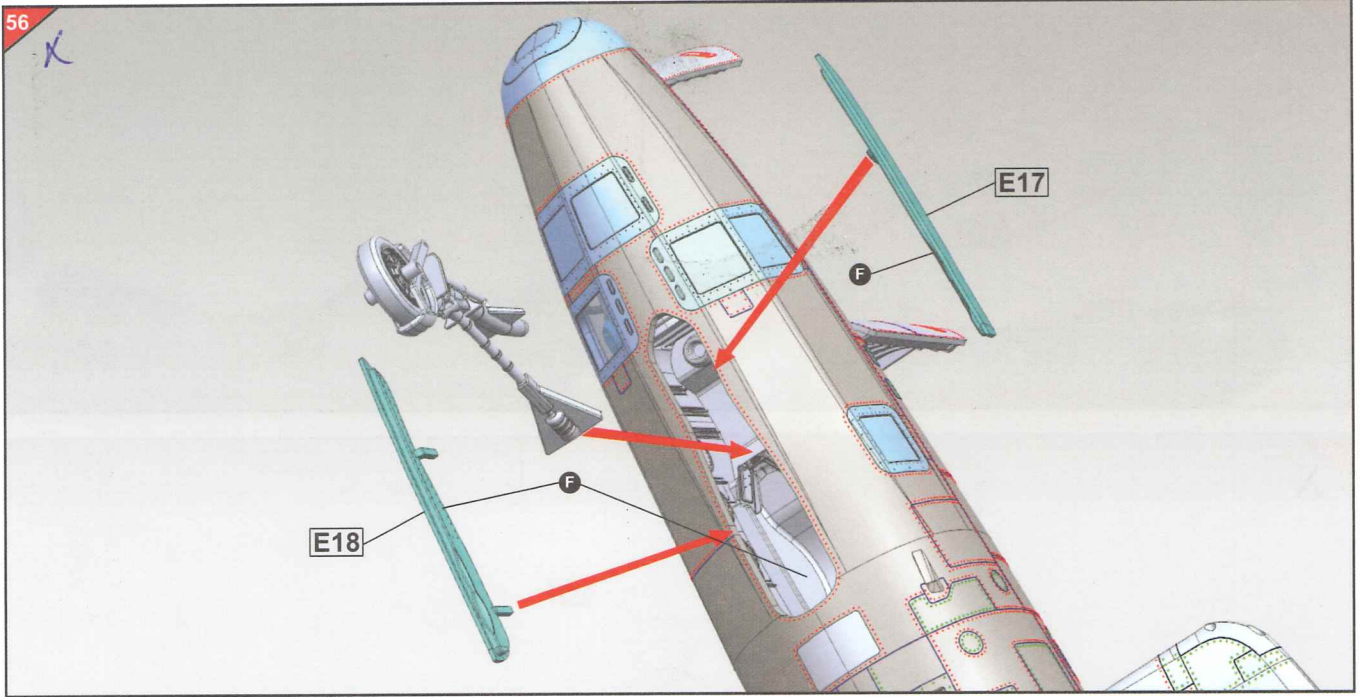
Bu sayfada tavsiye edilen boya kodları - The paint codes recommended on this page



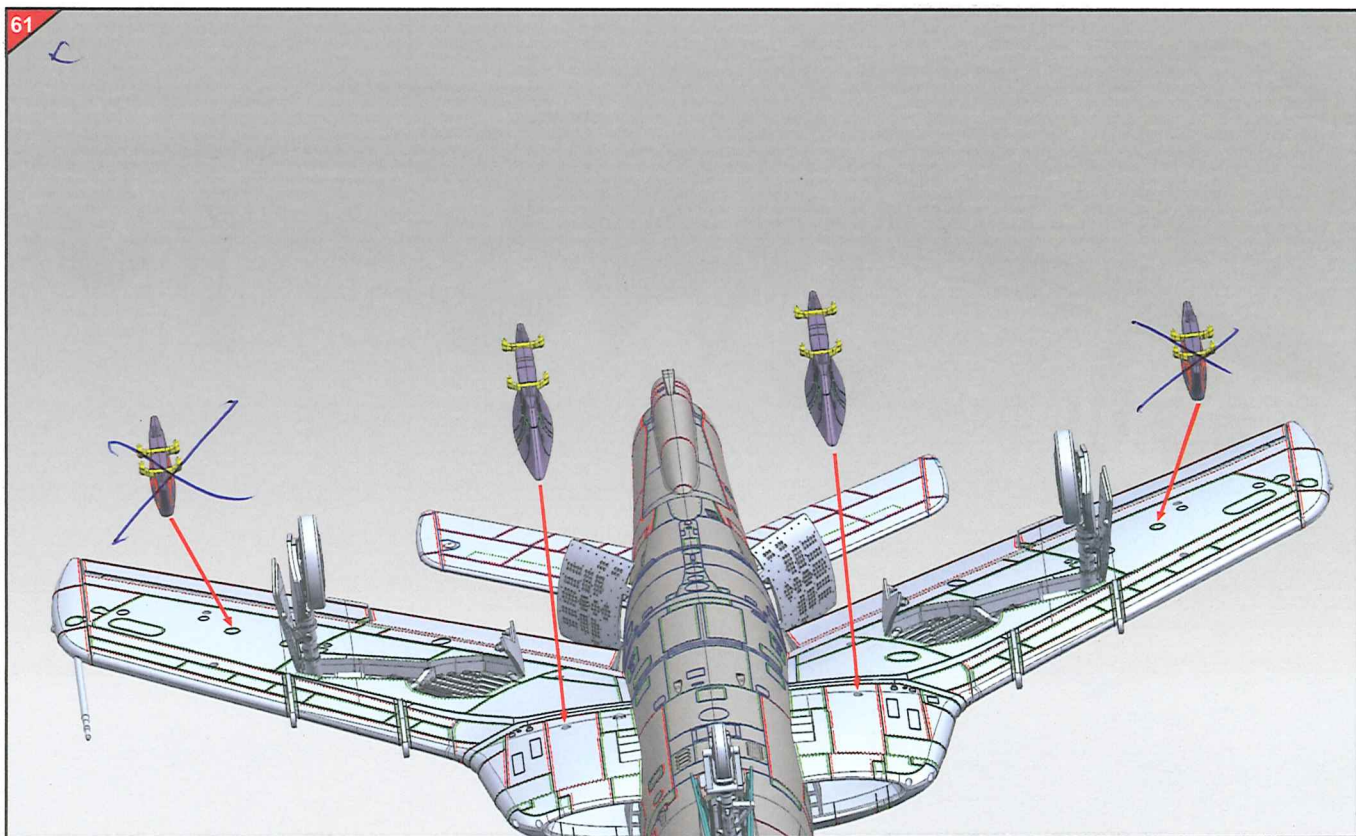
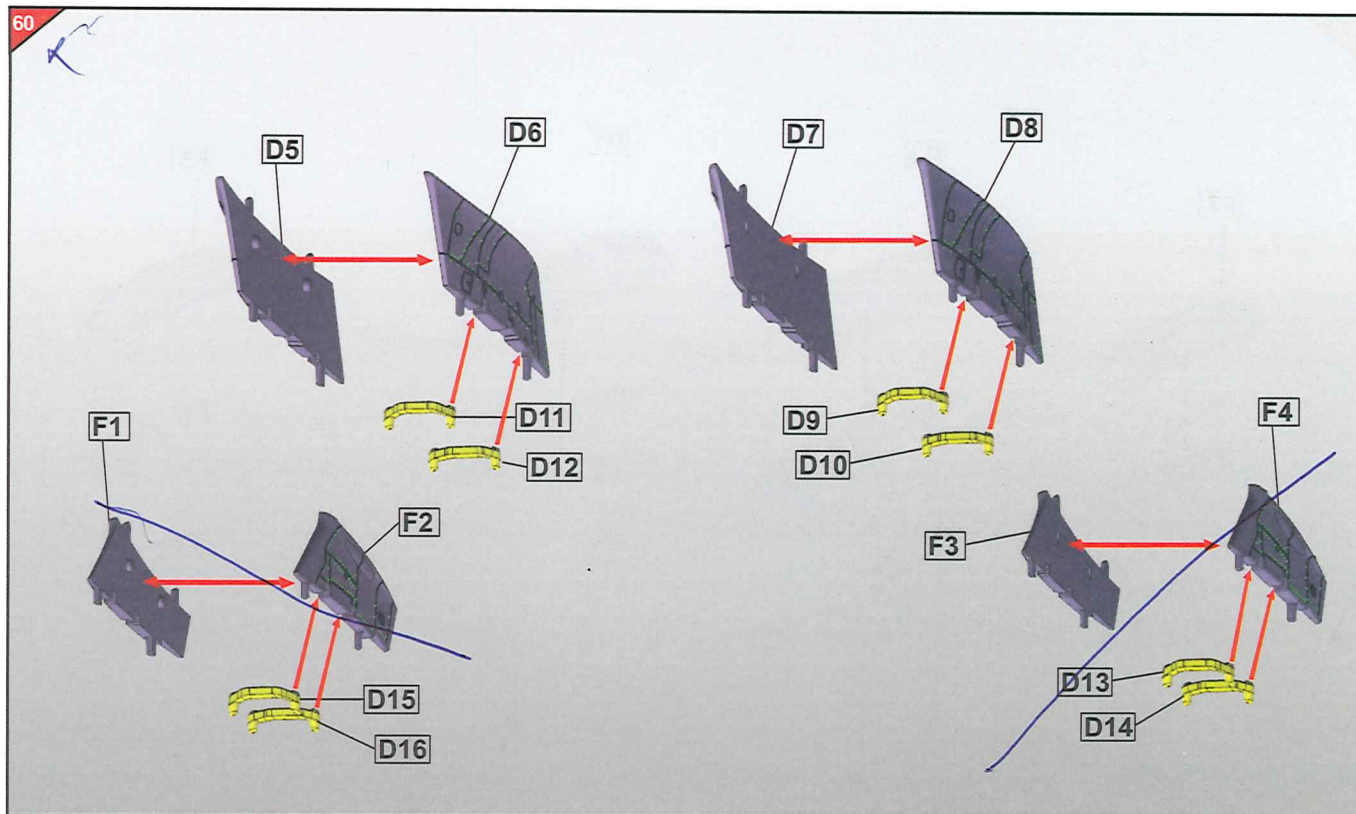
A: GUNZE H218 - HUMBROL 56

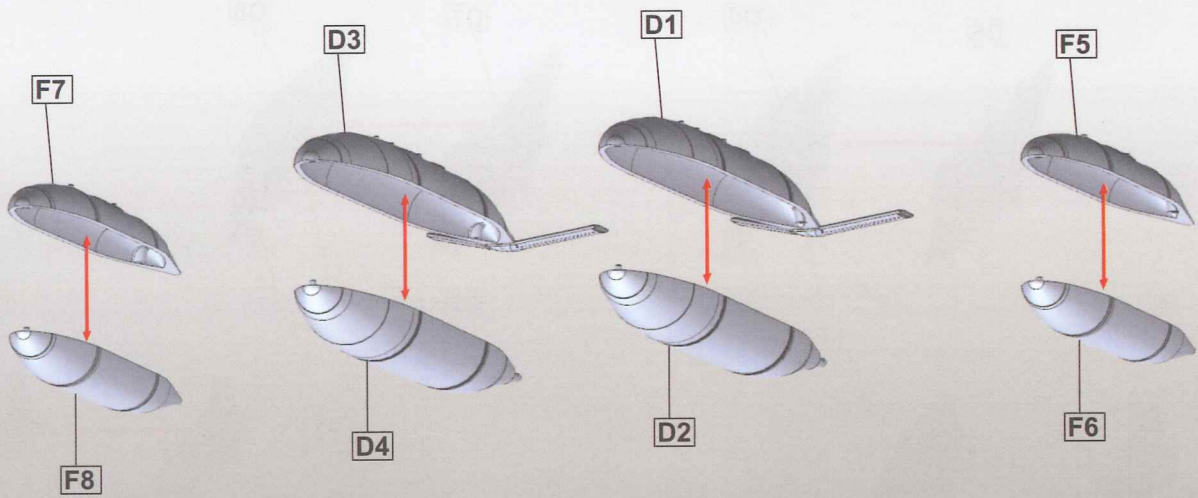
C: GUNZE H12 - HUMBROL 33

F: GUNZE H58 - HUMBROL 81



X







Adnan Kahveci Mah. Avrupa Cad. Kubist Park  
No: 108 Floor: 3 Unit: 200 34528 Beykent  
Beylikduzu - Istanbul - Turkey  
Tel: +90 212 856 01 52

© 2015 TANMODEL  
[www.tanmodel.com](http://www.tanmodel.com)  
Made in Turkey

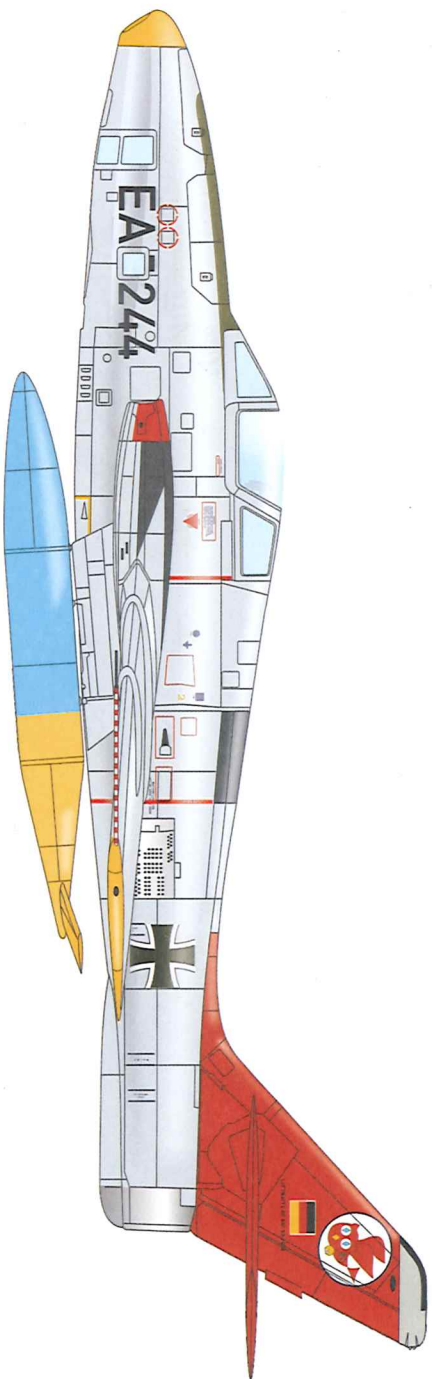
# RF-84F THUNDERFLASH



*Falka*



RF-84F Thunderflash 1/48 scale  
Camouflage and markings



Çoğu durumda kırmızı ve siyah stenciller doğal metal renkli uçaklarda, sarı olanlar kamuflajlı uçaklarda kullanılmaktadır. Stenciller, uçakların kullanıldığı dönemlere göre farklı ebad ve konumlandırma ile de çeşitlilik gösterebilir. Lütfen referanslarımızı kontrol ediniz.

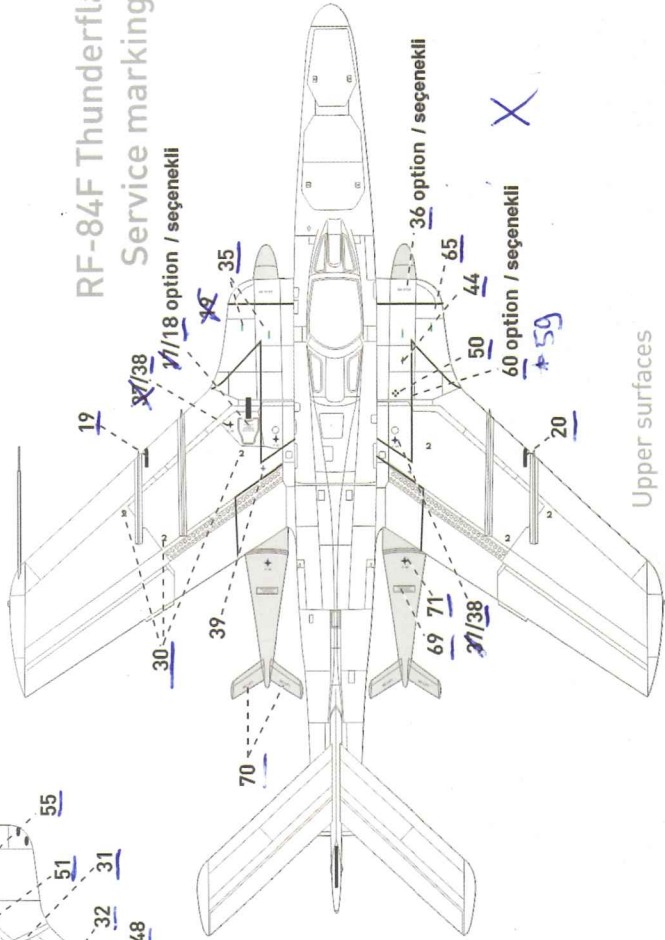
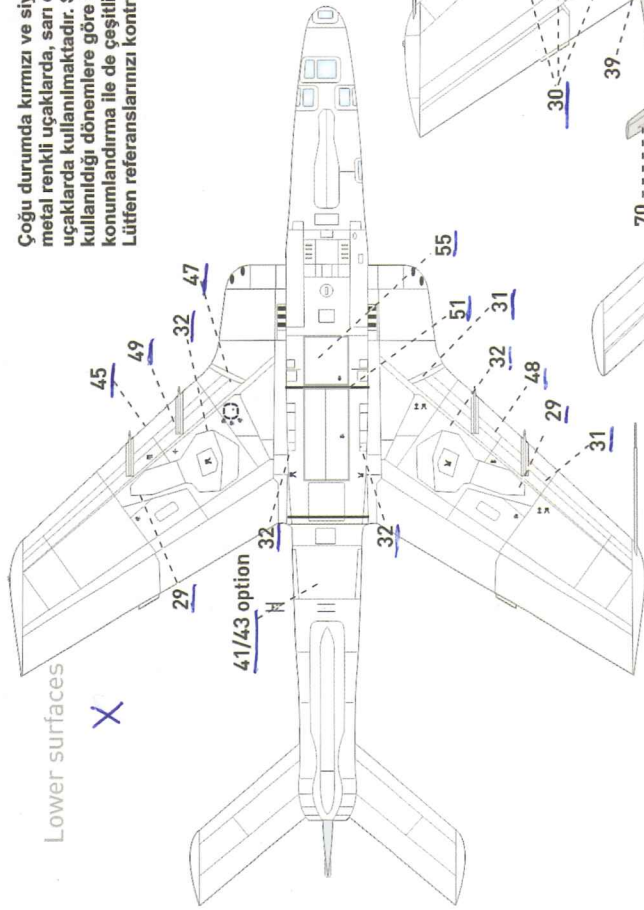
In most cases red and black service markings on 'metal' a/c, and yellow on 'camou' a/c, but a mix of these markings is also possible. There is also a wide variation of 'service markings', in size and position. Check your own reference please.

Interior colours: Interior Green or aluminium finish.

Cockpit interior: Interior Green or light grey

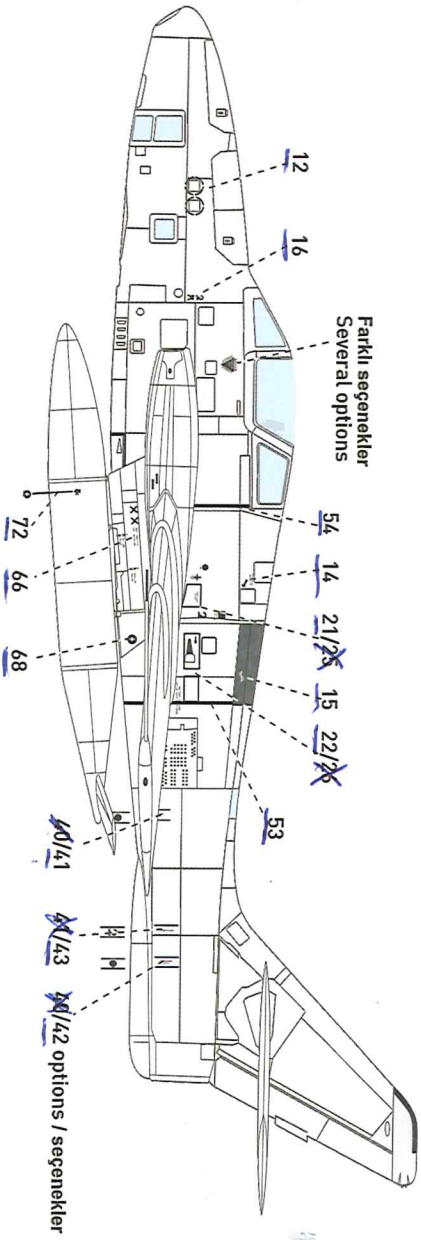
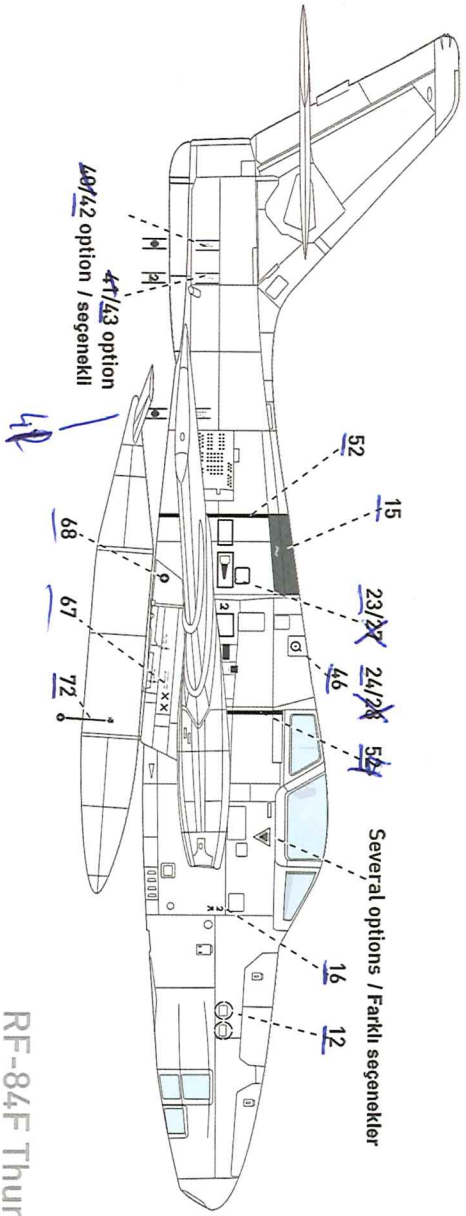
## RF-84F Thunderflash

### Service markings



96 on part C.17  
remove details of  
this part.

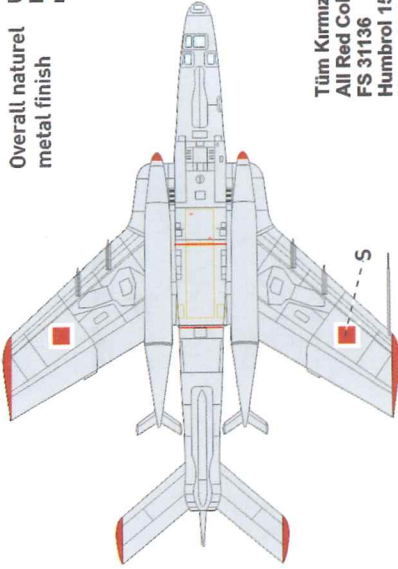
Dilerseniz C17 parçası  
üzerindeki detayları  
zımpara ile silerek decal  
uygulayabilirsiniz.



RF-84F Thunderflash  
Service markings

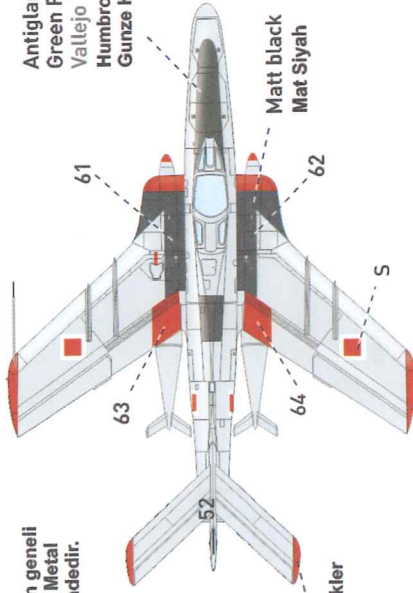
Overall naturel  
metal finish

Uçağın geneli  
Doğal Metal  
rengindedir.



Grey FS36630  
Vallejo 71.121  
Humbrol 147  
Gunze H338

Tüm Kırmızı Renkler  
All Red Colors  
FS 31136  
Humbrol 153  
Gunze H327



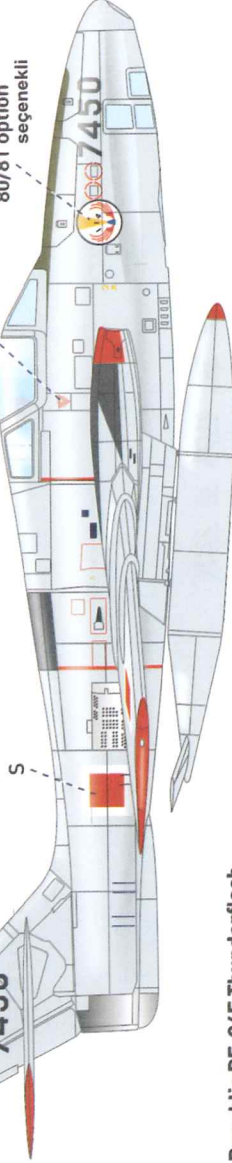
Antiglare panel  
Green FS34079  
Vallejo 71.020  
Humbrol 116  
Gunze H73

Matt black  
Mat Siyah

## RF-84F Thunderflash Turkish AF

80/81 option  
seçenekli

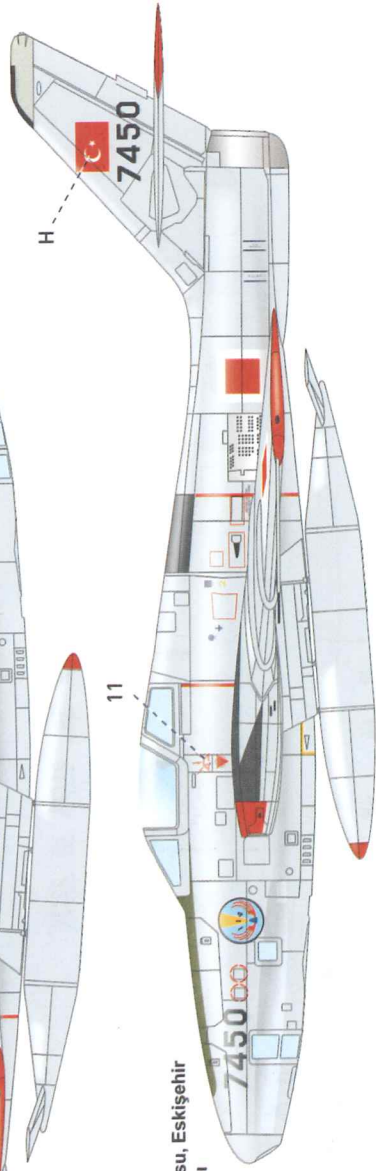
10

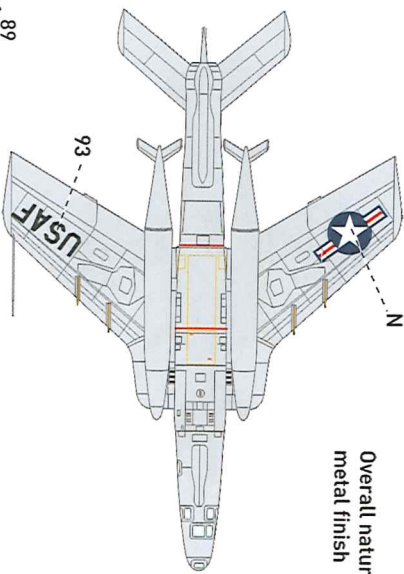


**Republic RF-84F Thunderflash.**  
7450. 114. Filo. 1st.AB. Türk Hava  
Kuvvetleri, Turkey 1956-1972.

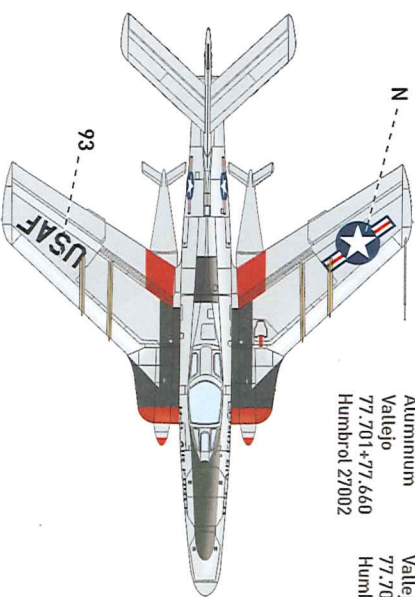
**1. Hava Üssü, 114. Taktik Jet Keşif Filosu, Eskişehir  
Türk Hava Kuvvetleri, 1956 – 1972 arası**

11



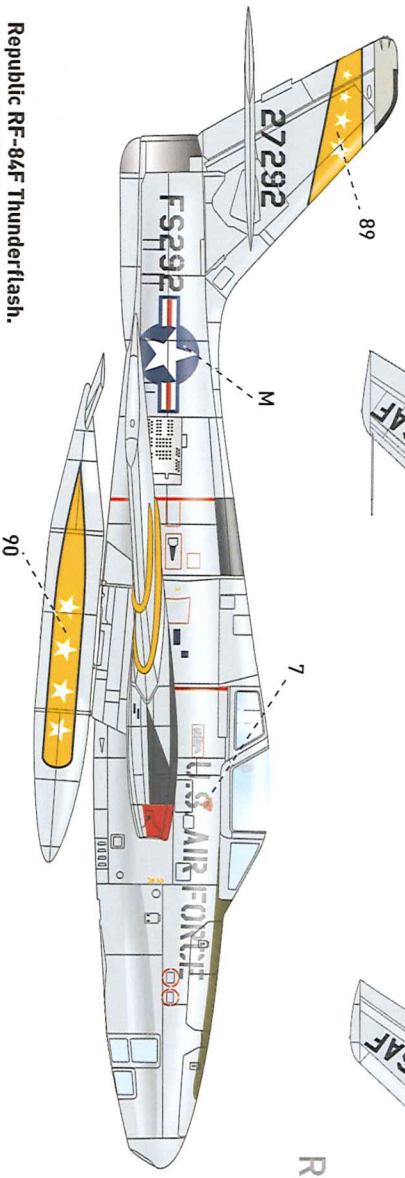


Overall natural metal finish

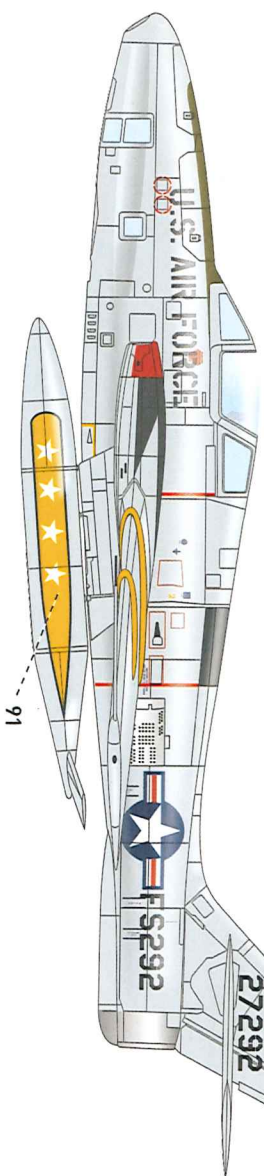


Natural metal  
Aluminium  
Vallejo  
77.701 + 77.660  
Humbrol 27002

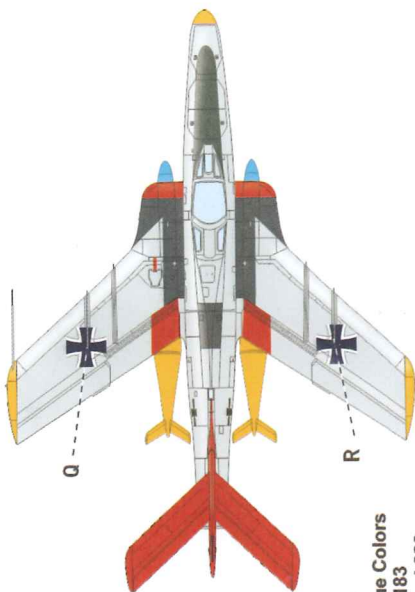
Dark alum.  
Vallejo  
77.703  
Humbrol 27003



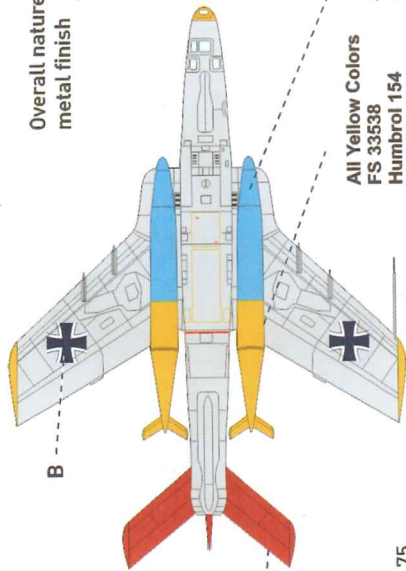
RF-84F Thunderflash  
USAFE



Republic RF-84F Thunderflash.  
52-7292. 32d Tactical  
Reconnaissance Squadron,  
Spangdahlem AB USAF  
W. Germany 1955-1958.



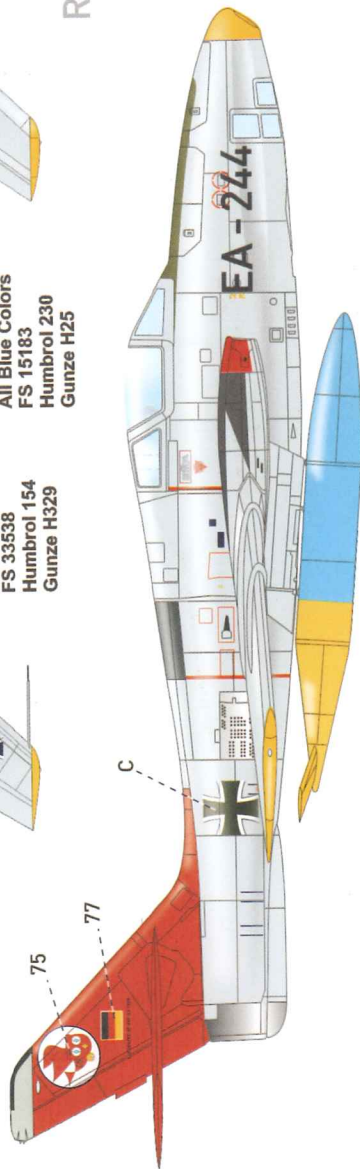
Overall naturel  
metal finish



All Red Colors  
FS 11302  
Humbrol 19  
Gunze H3

All Yellow Colors  
FS 33538  
Humbrol 154  
Gunze H329

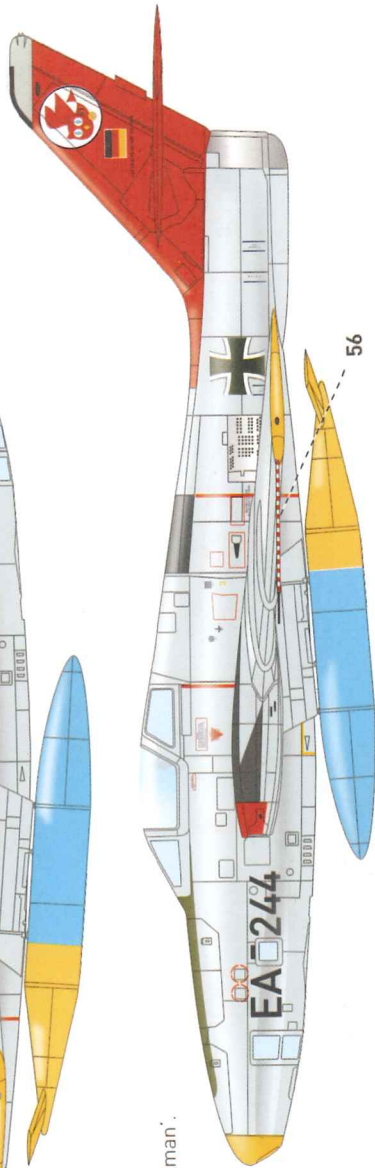
All Blue Colors  
FS 15183  
Humbrol 230  
Gunze H25



75

77

## RF-84F Thunderflash Luftwaffe



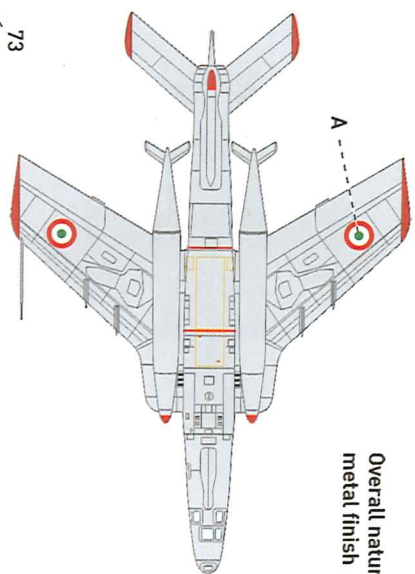
### Republic RF-84F Thunderflash.

53-7668, EA-244.

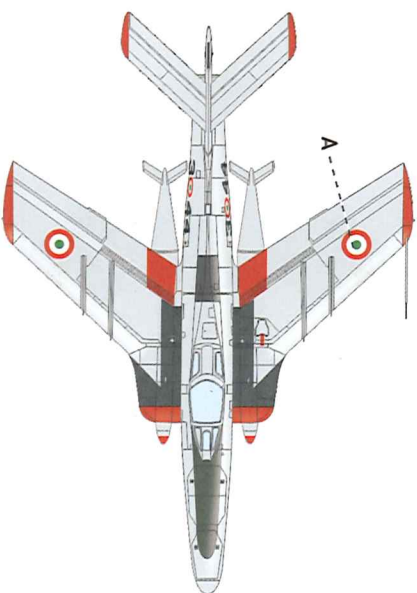
Aufklärungsgeschwader 51 'Immelman'.

ErdingAB Luftwaffe.

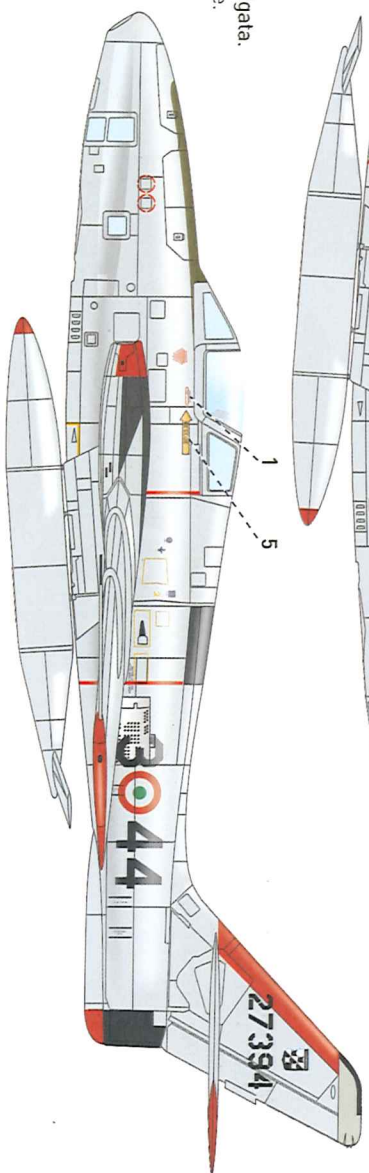
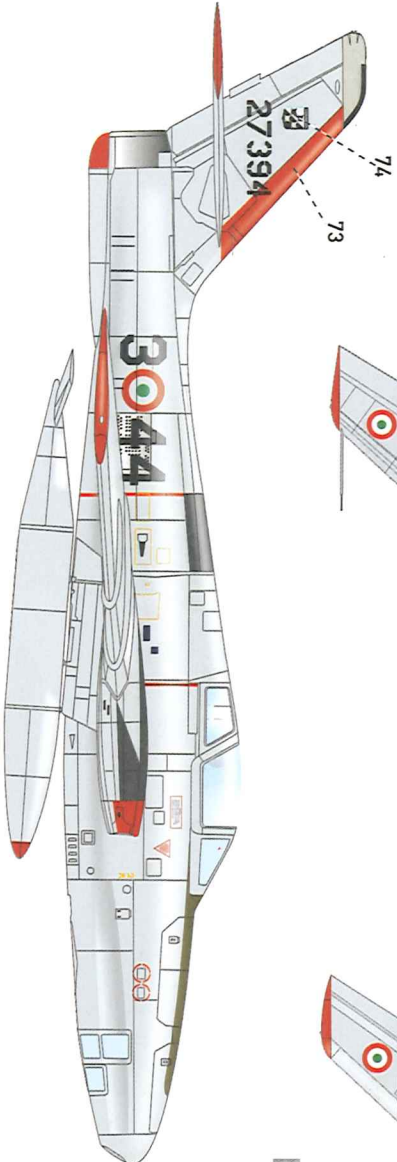
W. Germany 1959.



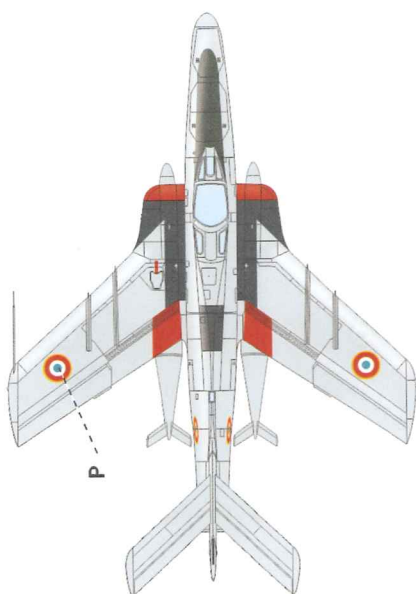
Overall natural  
metal finish



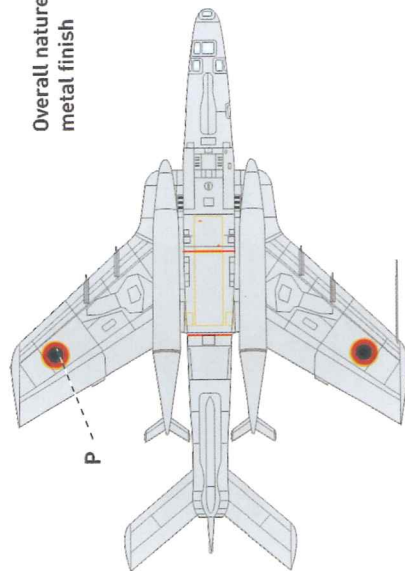
RF-84F Thunderflash  
ItalianAF



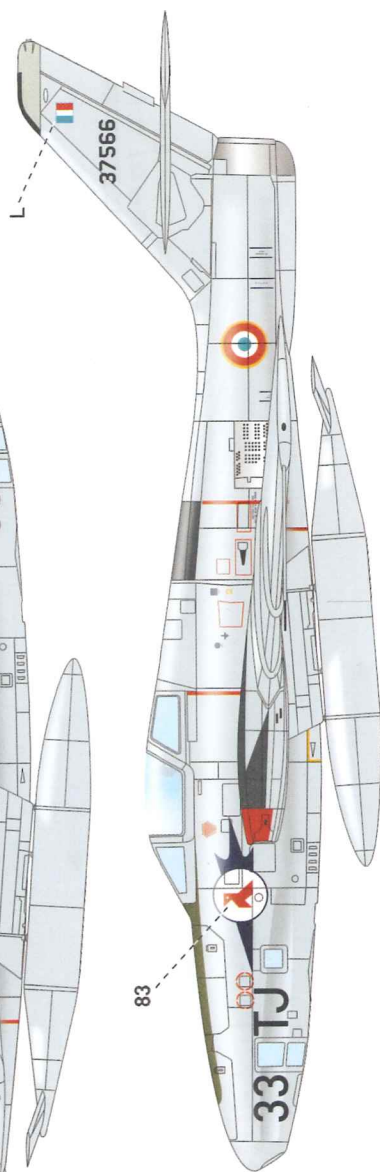
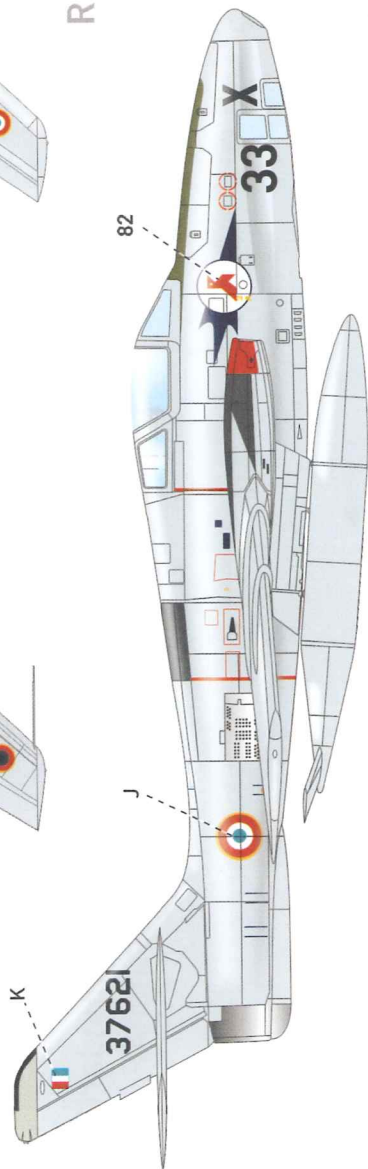
Republic RF-84F Thunderflash.  
27394, 3-44, 132 Gruppo 3 Aerobrigata.  
VillafrancaAB Aeronautica Militare.  
Italy 1968.



Overall naturel  
metal finish

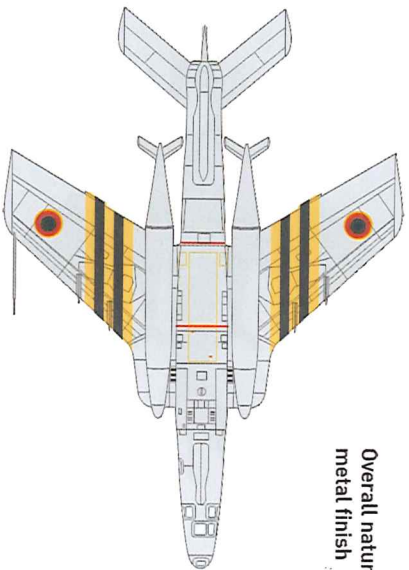


## RF-84F Thunderflash FrenchAF

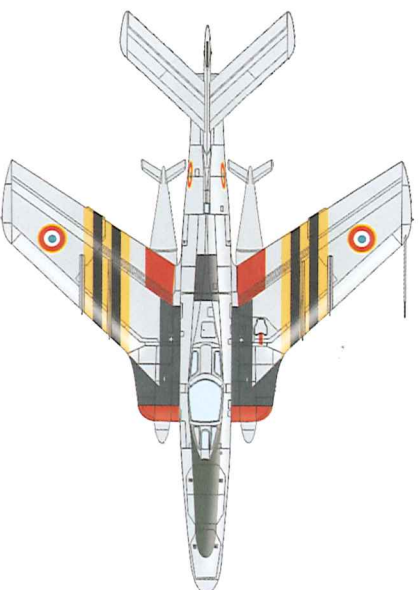


Republic RF-84F Thunderflash.  
37621 33-X / 37566, 33-TJ.  
ER 3/33 'Moselle'. CognacAB.  
Armée de l'Air. France 1956.

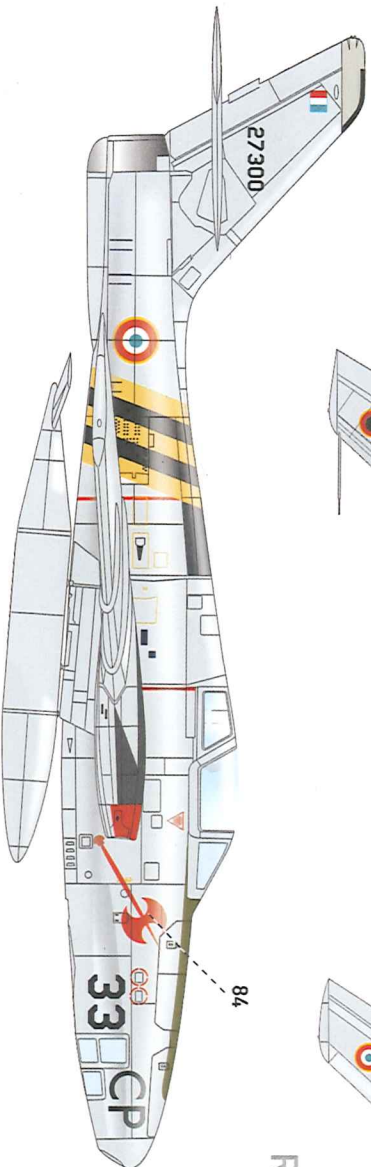




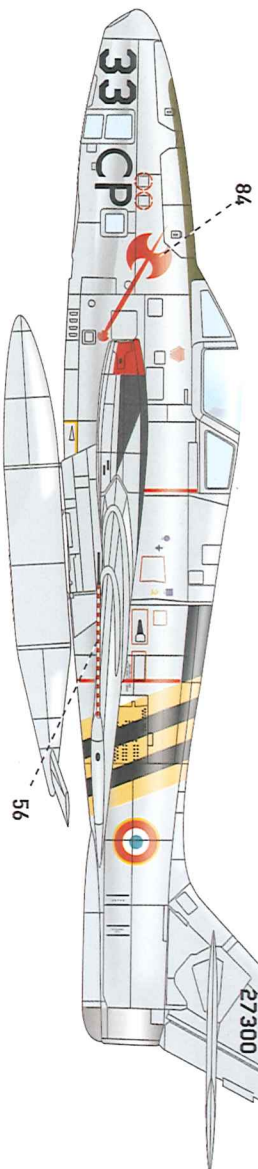
Overall natural metal finish



RF-84F Thunderflash  
FrenchAF



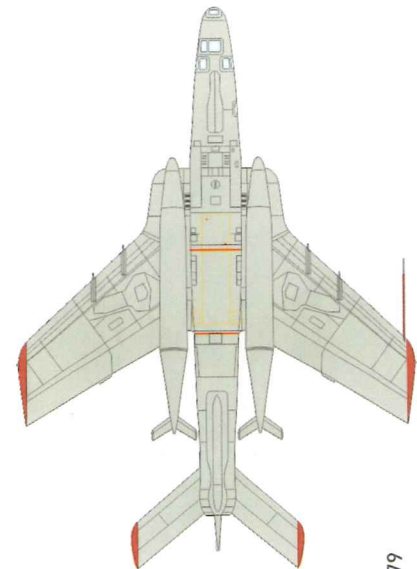
Republic RF-84F Thunderflash.  
27300. 33-CP. ER 4/33. Belfort.  
RAFAkrotiriAB Armée de l'Air.  
1956.



'Suez crisis' bands on fuselage and wings, painted in yellow for desert sand? because of lack of yellow paint? and black, probably 25 cm/10 inch [5,2 mm] wide in 1/1 scale

 Green  
 FS34102  
 Vallejo  
 70.888  
 Humbrol 117  
 Gunze H303

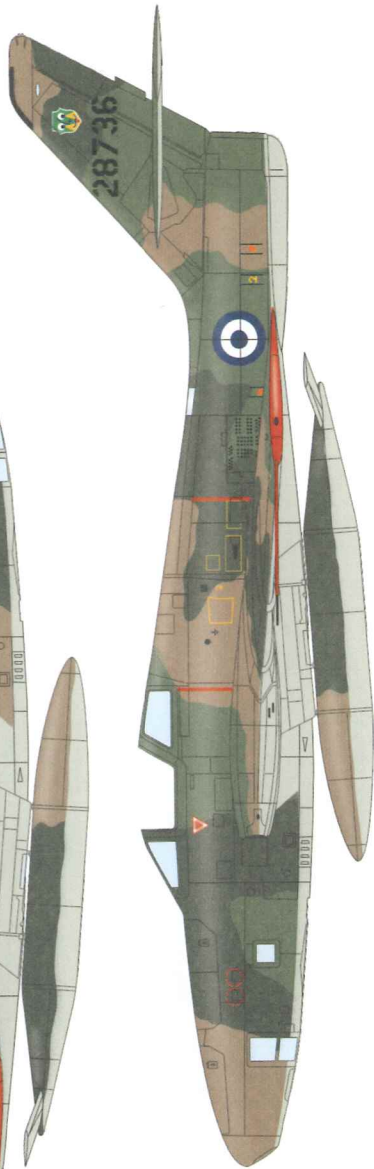
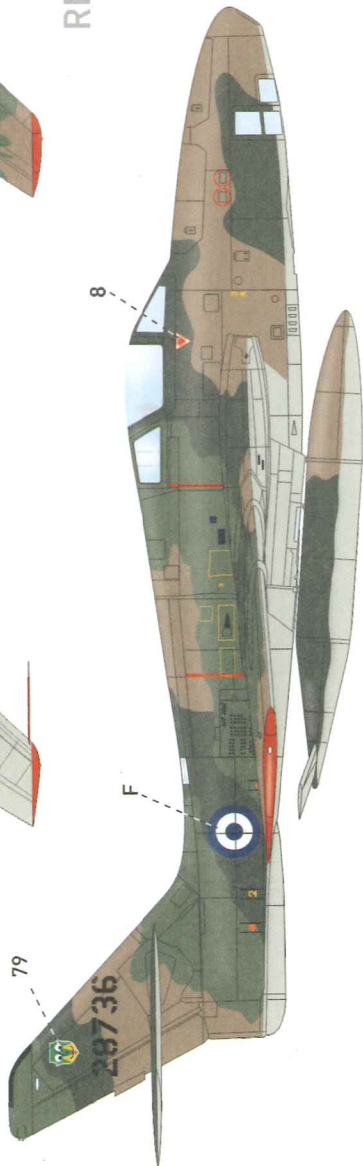
 Tan  
 FS30219  
 Vallejo  
 70.857  
 Humbrol 119  
 Gunze H10



 Dark Green  
 FS34079  
 Vallejo  
 71.020  
 Humbrol 116  
 Gunze H309

Light Gray  
 FS36622  
 Vallejo  
 71.121  
 Humbrol 116  
 Gunze H338

## RF-84F Thunderflash HellenicAF



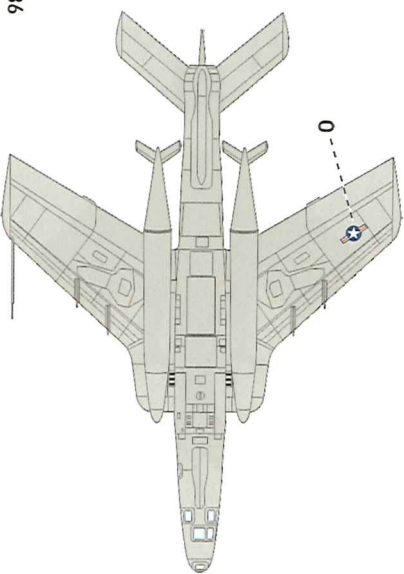
**Republic RF-84F Thunderflash.**  
 28736, No.338 Mira, LarissaAB  
 Polemi ki Aeroparia, Crete 1972.

No national markings on upper and lower wings.

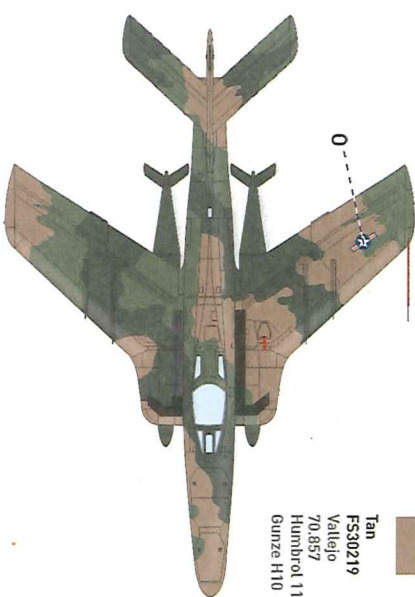


**Dark Green** FS34079  
 Vallejo 71.020  
 Humbrol 116 Humbrol 147  
 Gunze H309

**Light Gray** FS34622  
 Vallejo 71.121  
 Gunze H338



0



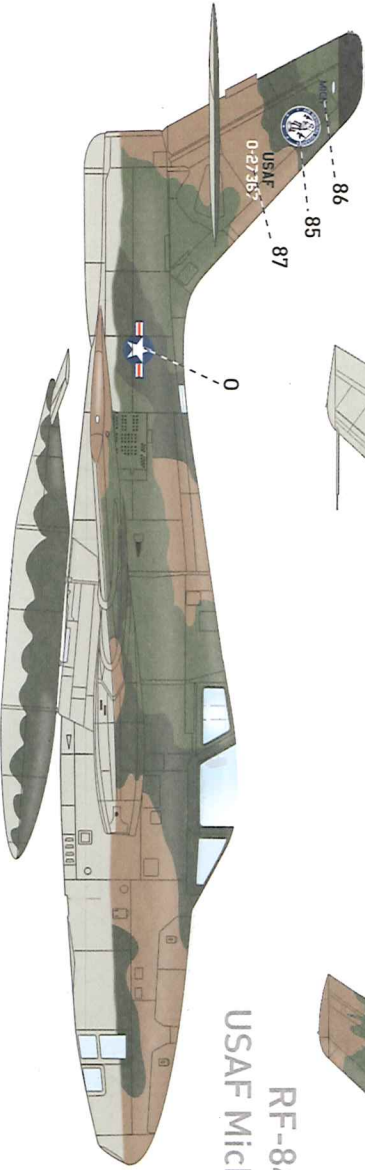
0



**Tan** FS30219  
 Vallejo 70.887  
 Humbrol 119 Humbrol 117  
 Gunze H10

**Green** FS34102  
 Vallejo 70.888

**RF-84F Thunderflash**  
 USAF Michigan National Guard



85

86

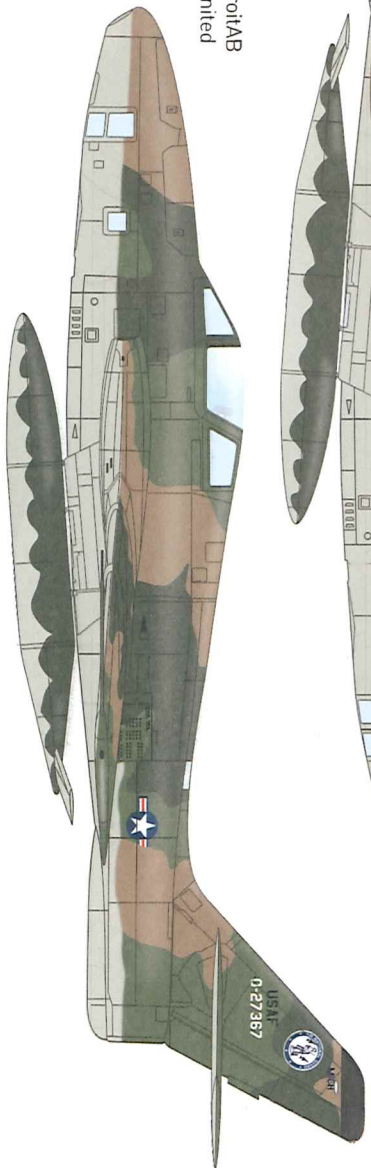
87

0

**Republic RF-84F Thunderflash.**

52-7367, 171st Tact. Rec. Sqn, Detroit/AB  
 USAF Michigan National Guard, United  
 States 1968.

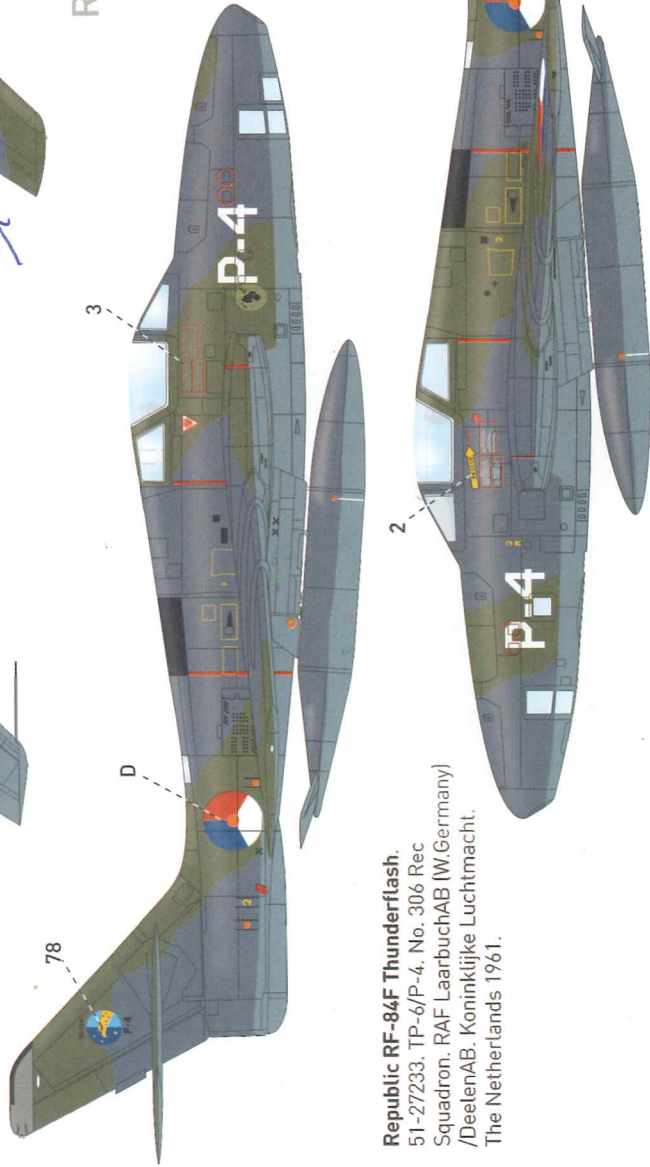
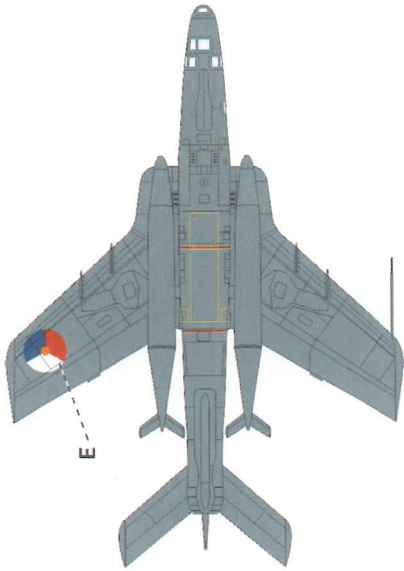
No service markings are visible  
 on this aircraft.



0127367

BS: British Standard

PRU Blue	BS636
Dark Green	BS241
Extra Dark	BS640
Sea Grey	BS640
Vallejo	71.109
Vallejo	70.895
Humbrol	123
Humbrol	163
Gunze	H333
Gunze	H330
Gunze	H56

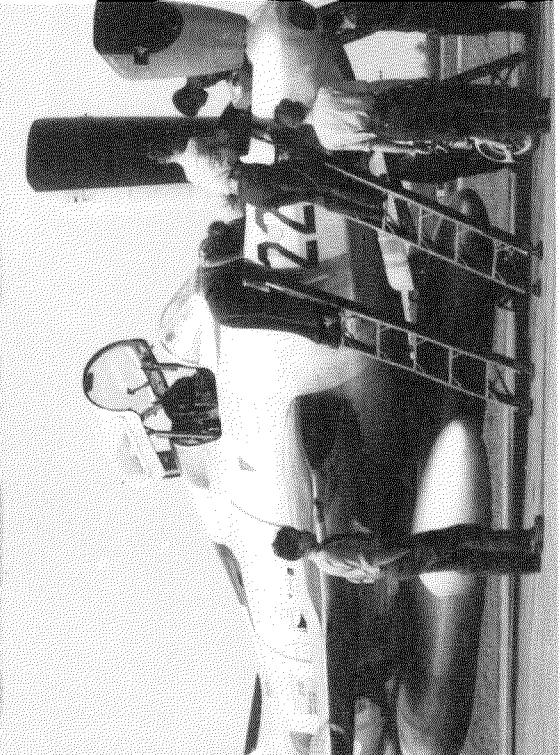
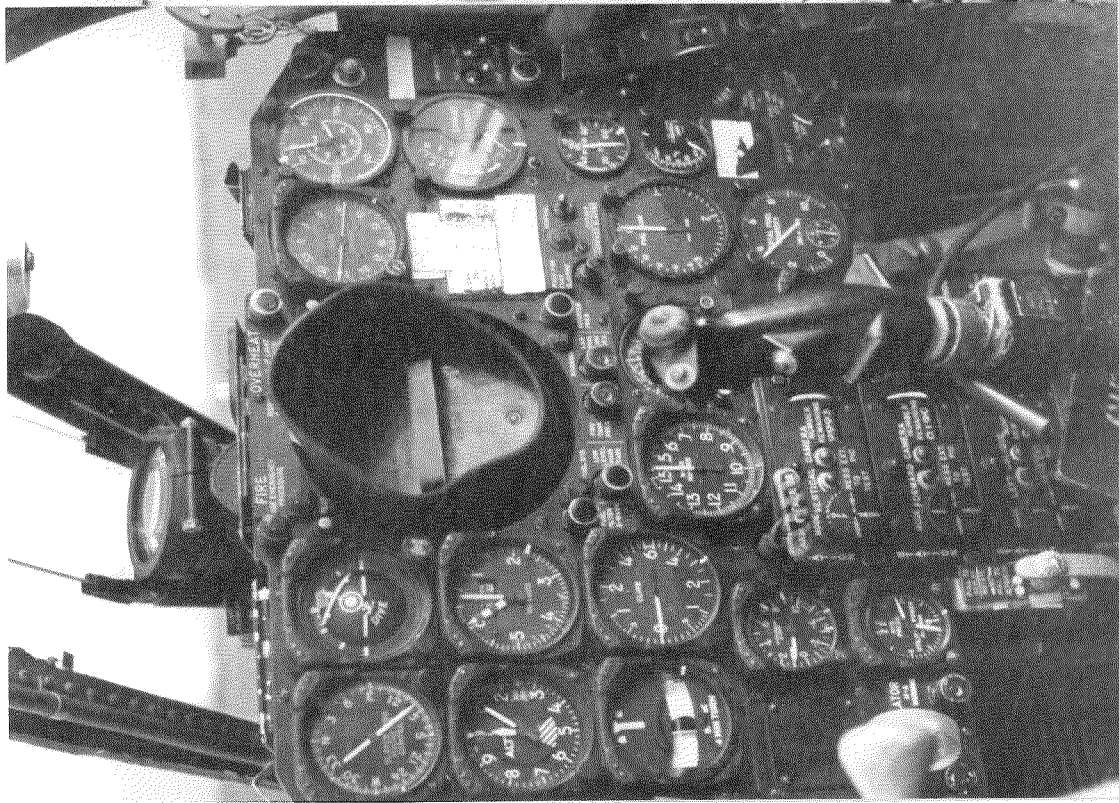


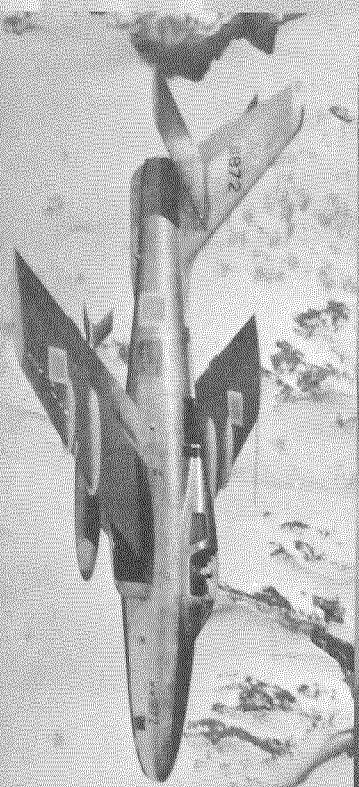
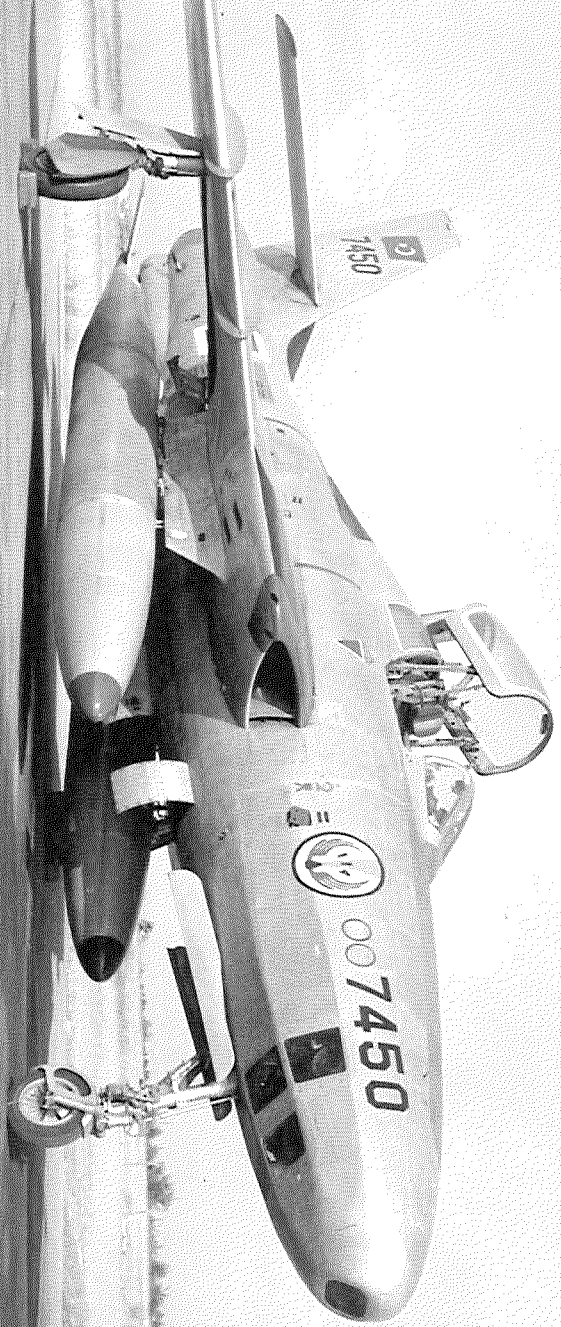
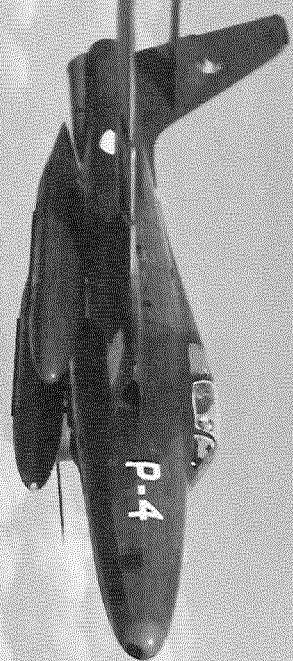
RF-84F Thunderflash  
RoyalNeth.AF

**Republic RF-84F Thunderflash.**  
51-27233, TP-6/P-4, No. 306 Rec  
Squadron, RAF LaarbruchAB (W, Germany)  
/DeelenAB, Koninklijke Luchtmacht.  
The Netherlands 1961.

Cameras in front of a Rneth, AF RF -84F Thunderflash









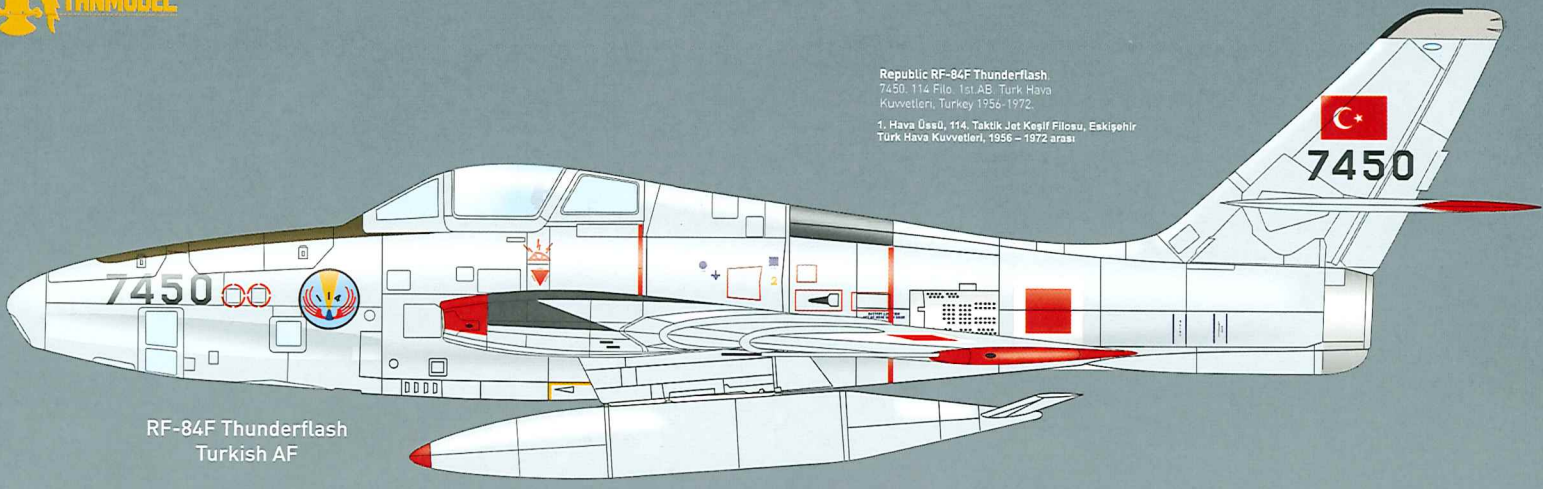
Model Kit. No.2201 Tanmodel Plastic Model Kits.

Copyright©Dutch Decal.nl

All rights reserved TANMODEL Plastic Model Kits.

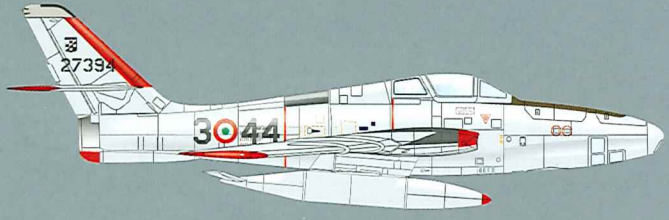






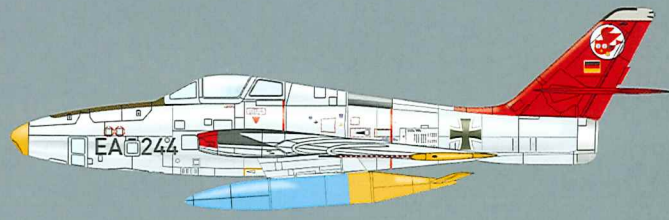
Republic RF-84F Thunderflash  
7450, 114 Filo, 1st AB, Türk Hava Kuvvetleri, Turkey 1956-1972.  
1. Hava Üssü, 114. Taktik Jet Keşif Filosu, Eskişehir Türk Hava Kuvvetleri, 1956 - 1972 arası

RF-84F Thunderflash  
Turkish AF



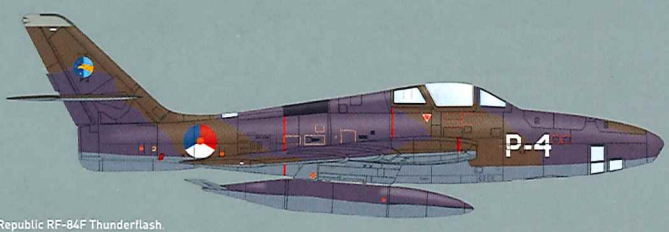
Republic RF-84F Thunderflash.  
27394, 3-44, 132 Gruppo 3 Aerobrigata, Villafranca AB Aeronautica Militare, Italy 1968.

RF-84F Thunderflash  
Italian AF



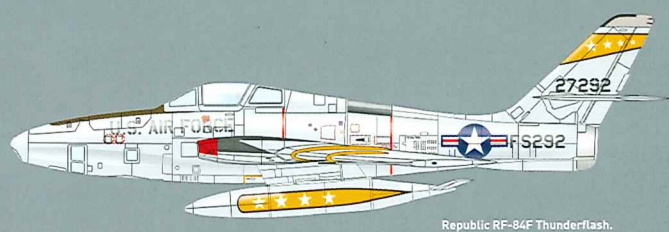
Republic RF-84F Thunderflash.  
53-7668, EA-244, Aufklärungsgeschwader 51 'Immelmann', Erding AB Luftwaffe, W. Germany 1959.

RF-84F Thunderflash  
Luftwaffe



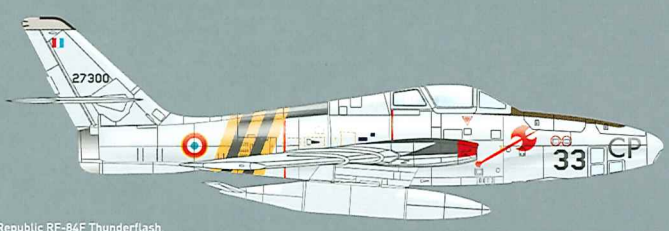
Republic RF-84F Thunderflash.  
51-27233, TP-6/P-4, No. 306 Rec Squadron, RAF Laarbruch AB (W. Germany) / Dhaelen AB Koninklijke Luchtmacht, The Netherlands 1961.

RF-84F Thunderflash  
RoyalNeth.AF



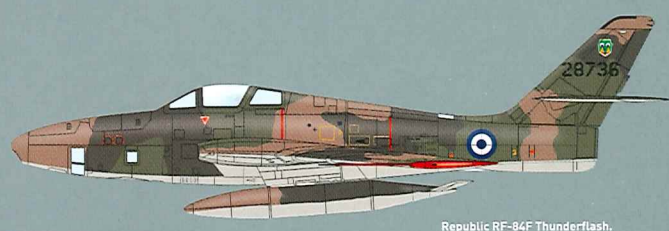
Republic RF-84F Thunderflash.  
52-7292, 32d Tactical Reconnaissance Squadron, Spangdahlem AB USAF, W. Germany 1955-1958.

RF-84F Thunderflash  
USAF



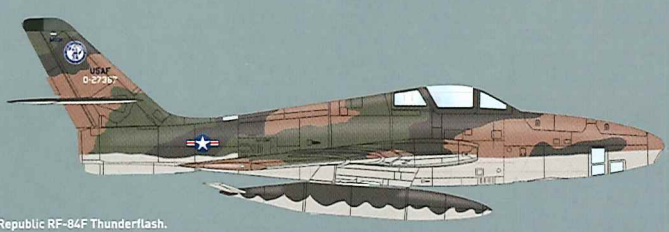
Republic RF-84F Thunderflash.  
27300, 33-CP, ER 4/33 'Belfort', RAF Akrotiri AB Armée de l'Air, 1956.

RF-84F Thunderflash  
French AF



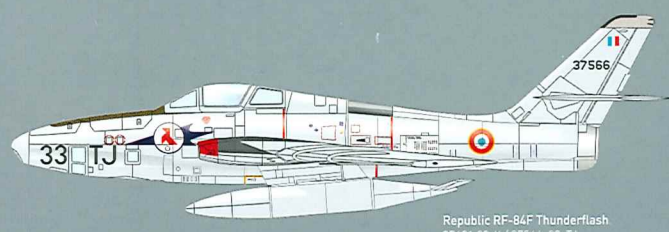
Republic RF-84F Thunderflash.  
28736, No 338 Mira, Larissa AB Polemiki Aeroporia, Crete 1972.  
No national markings on upper and lower wings.

RF-84F Thunderflash  
Hellenic AF



Republic RF-84F Thunderflash.  
52-7367, 171st Tact. Rec. Sqn, Detroit AB USAF Michigan National Guard, United States 1968.  
No service markings are visible on this aircraft.

RF-84F Thunderflash  
USAF Michigan National Guard



Republic RF-84F Thunderflash  
37621, 33-X / 37566, 33-TJ, ER 3/33 Moselle, Cognac AB Armée de l'Air, France 1956.

RF-84F Thunderflash  
French AF

# REPUBLIC RF-84F THUNDERFLASH