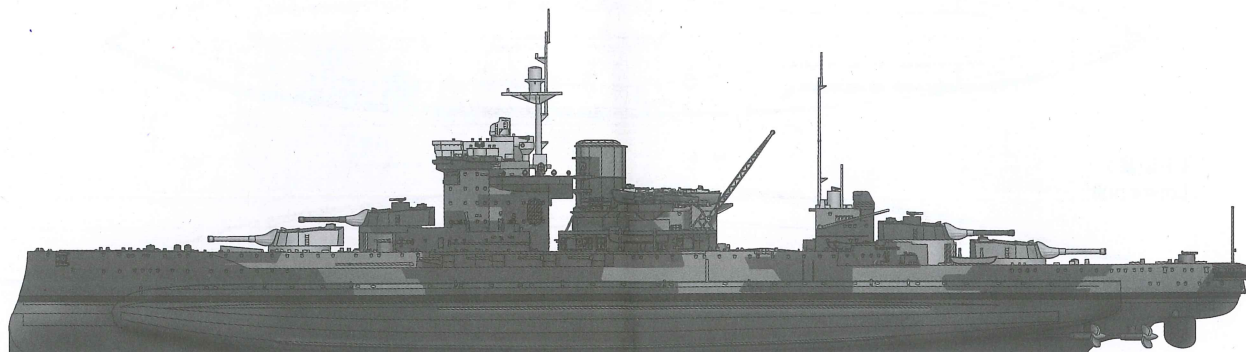


1/700 SCALE

ITEM NO.: 05795

# HMS Warspite 1942

英国“厌战”号战列舰1942年



### READ BEFORE ASSEMBLY:

- Study and understand these instructions thoroughly before beginning assembly
- When needed, remove photo-etch parts carefully using a modeling knife or photo etch sprue cutter, being careful not to damage or lose small parts.
- Take extra care in handling photo etch parts in order to avoid injury
- Apply instant cement sparingly to photo etch parts where instructed
- Tools recommended(not included in kit):Plastic and instant cements,sprue cutters,long nose pliers,,modeling knife, small files, tweezers, pin vise & scissors. Soft cloth and sandpaper will also assist in construction
- Glue and paint are not included in the kit. Use plastic cement and hobby paints only. Color guide for purchasing paint is included in the kit.

### 装配之前仔细阅读

- 小心用模型锉刀锉平所有零件表面的注射浇口。
- 小心用刀片切下蚀刻片零件，不要遗失小零件。
- 用强力快干胶水粘合蚀刻片零件和金属轴。过量的快干胶水使用可能导致可动零件会粘住，小心涂胶。
- 取蚀刻片时应特别注意安全，防止利边划伤手指。
- 某些零件表面需贴水上贴纸，请选择在装配的同时进行。
- 推荐模型工具(自备)：胶水，水口剪刀，长咀钳，刀片，锉刀，镊子，钳，钻，剪刀，瞬间快干胶。
- 软布同砂纸同时也应该是必备工具。
- 请使用塑料胶水和油漆，模型内不含。



贴纸  
Decal



锉平  
File / Sand



选择  
Option



不涂胶水  
No cement



弯曲  
Bend



使用强力胶  
Cyanoacrylate glue



配重  
Weight



钻孔  
Make hole



切除  
Cut / Remove

### 水贴纸的使用:

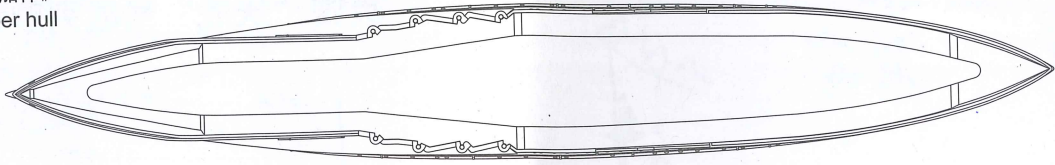
1. 从水贴纸上剪下印花;
2. 将印花放入温水中浸10秒，然后放在干净布上。
3. 拿着印花纸将印花移到模型上;
4. 手指蘸水将印花移到适当的位置;
5. 用软布轻压印花直至水干，气泡消失。

### DECAL APPLICATION

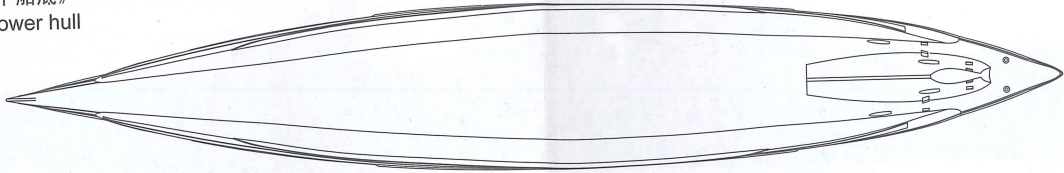
1. Cut off decal from sheet.
2. Dip the decal in tepid water 40°C for about 10 sec. and place on a clean cloth.
3. Hold the backing sheet edge and slide decal onto the model.
4. Move decal into position by wetting decal with finger.
5. Press decal gently down with a soft cloth until excess water and air bubbles are gone.
6. Allow decal to dry completely before handling model.

部品图  
Parts

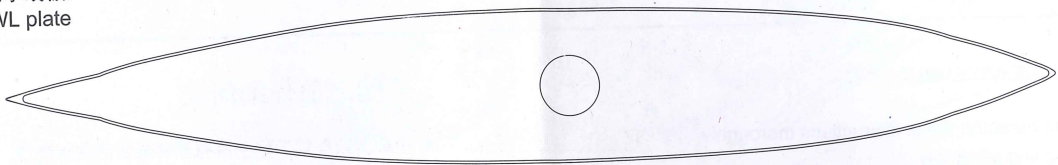
《上船体》  
Upper hull



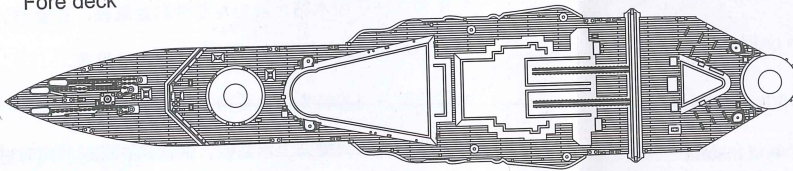
《下船底》  
Lower hull



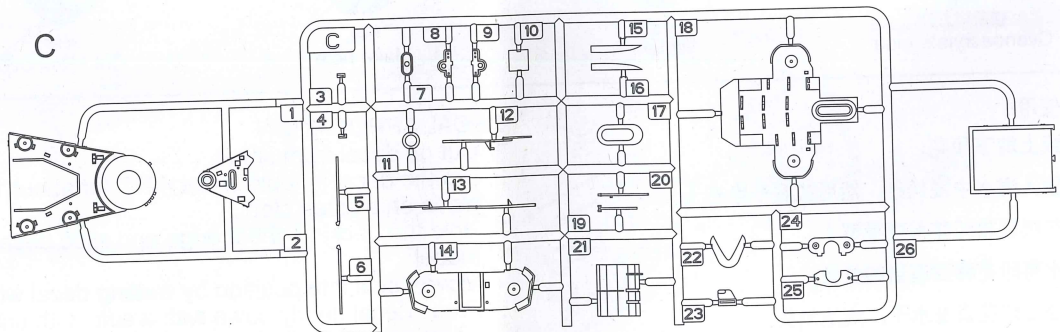
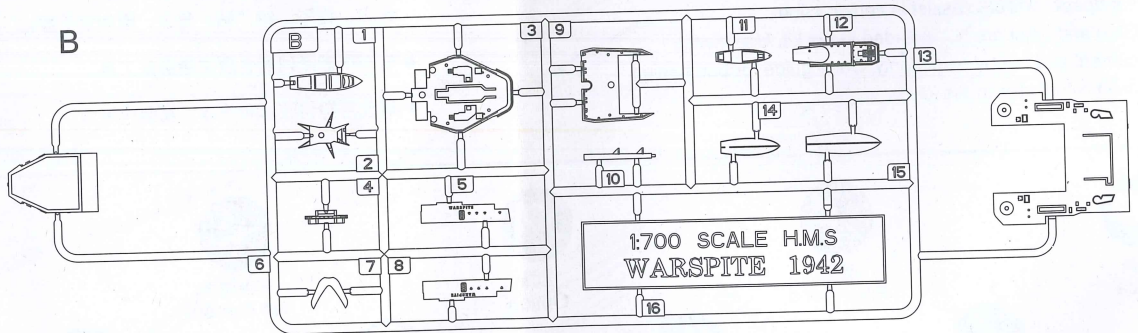
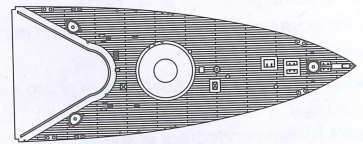
《水线板》  
WL plate



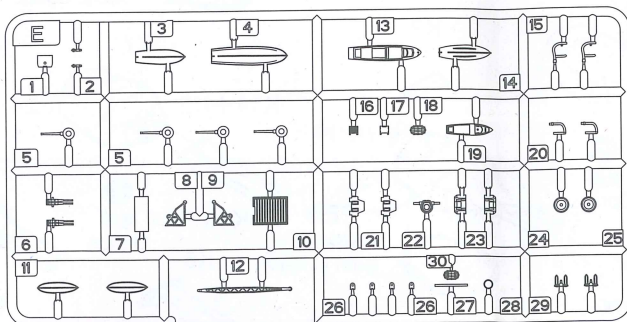
《前甲板》  
Fore deck



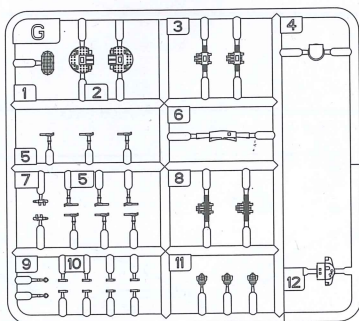
《后甲板》  
Rear deck



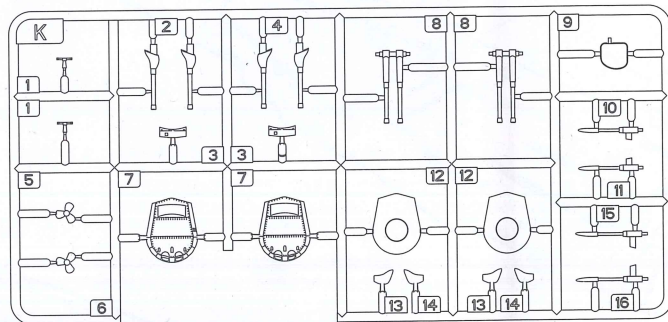
E×2



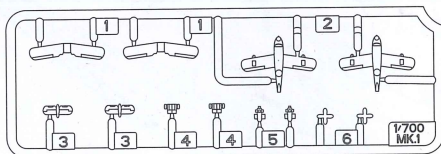
G×2



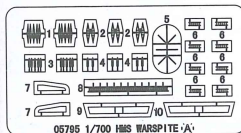
K×2



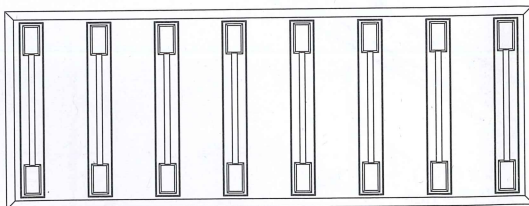
MK.1×2



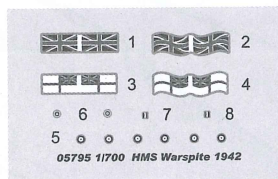
蚀刻片A  
Photo Etched (A)



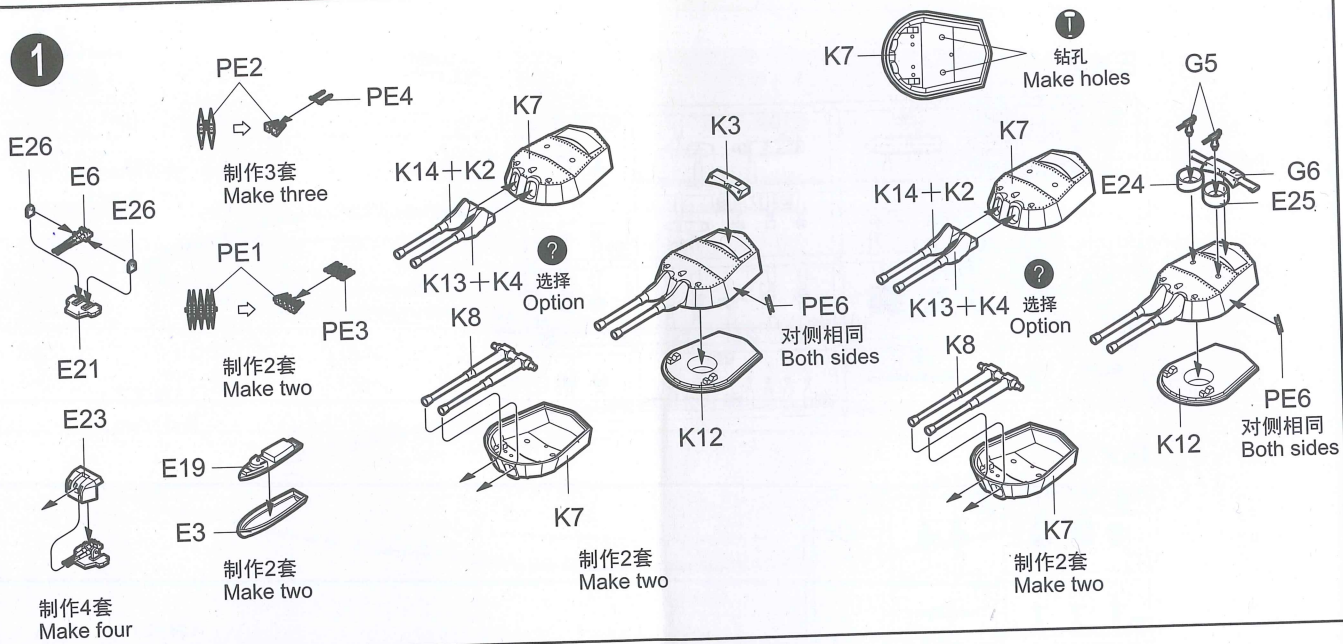
座架 Stand



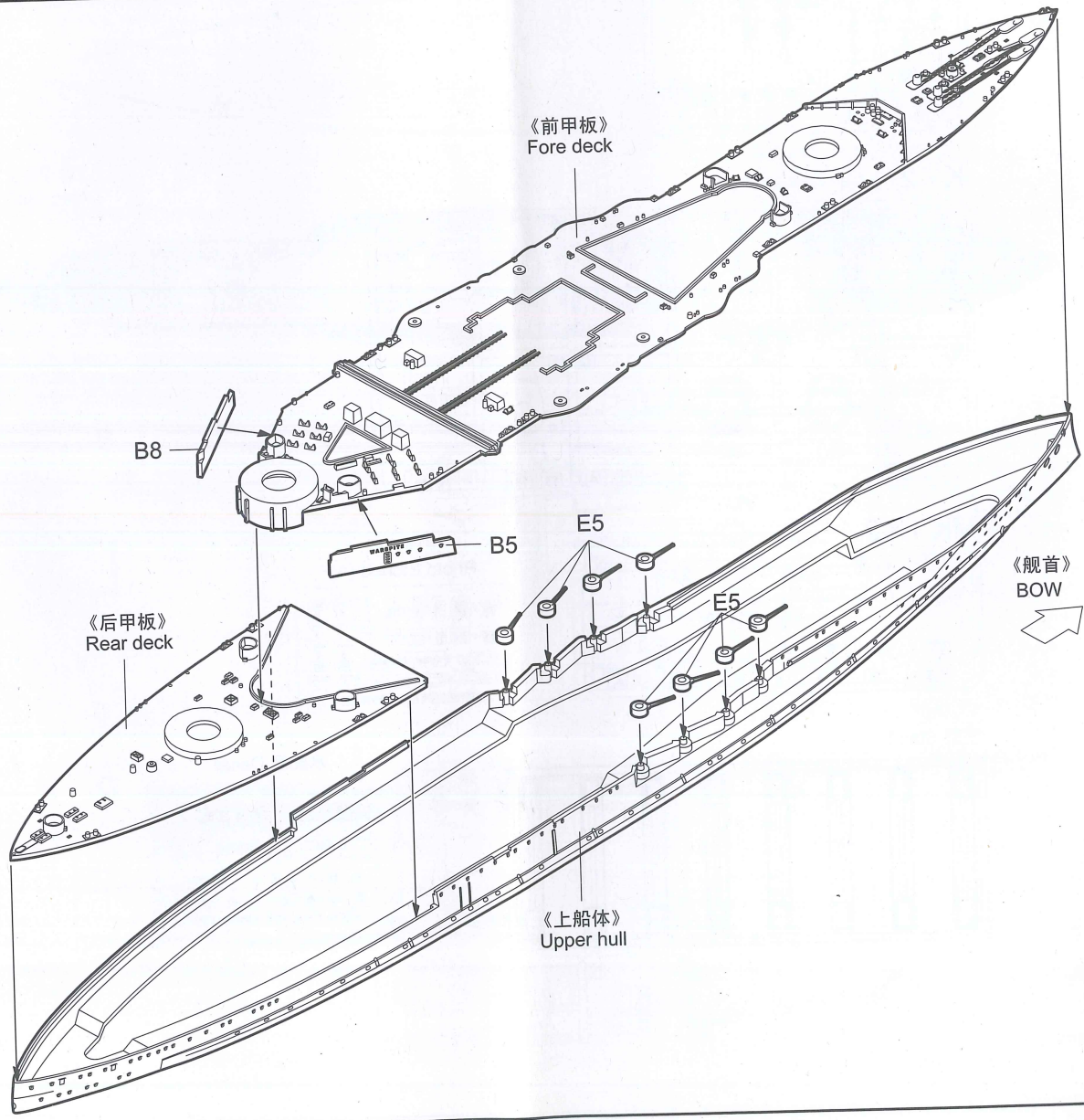
水贴纸 Decal



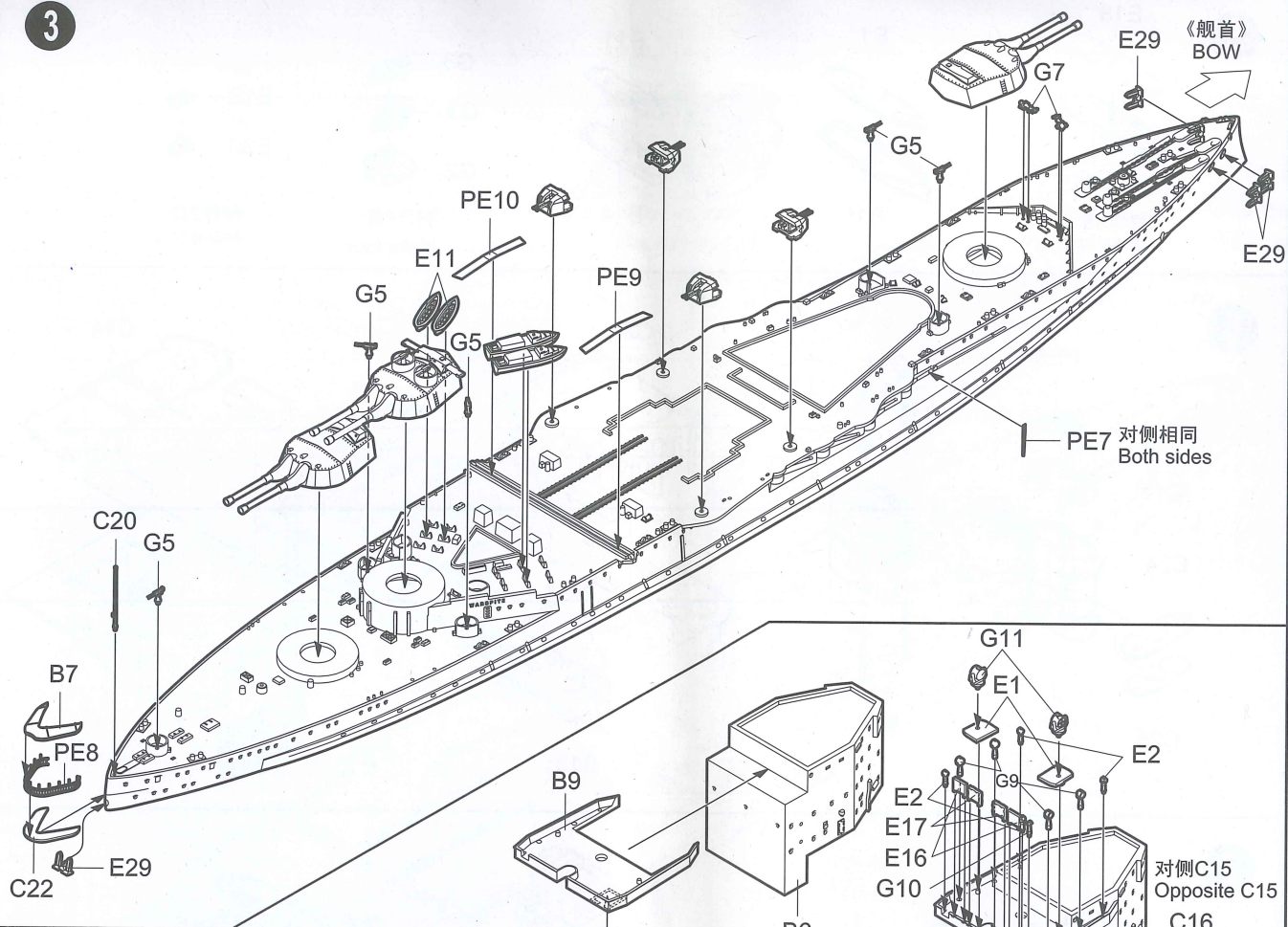
1



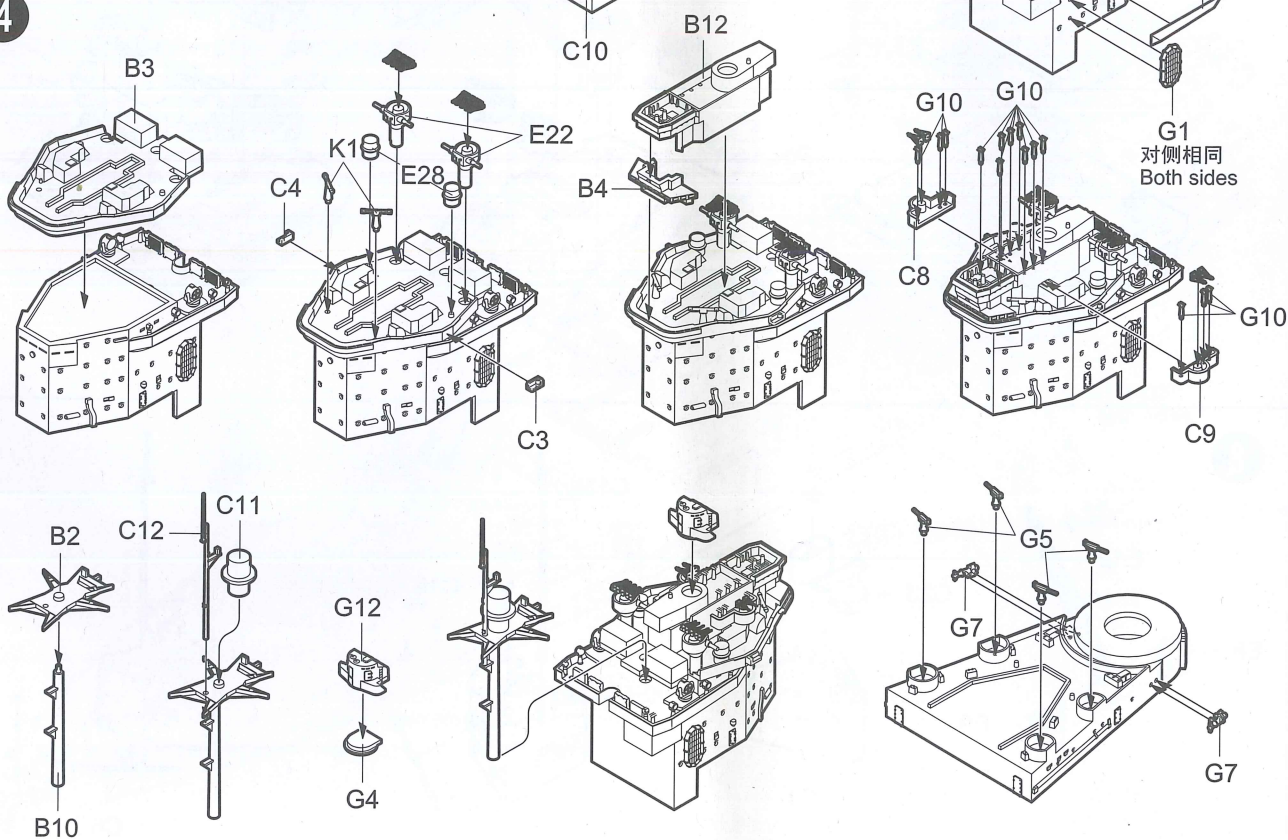
2



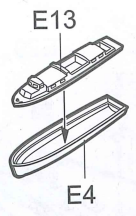
3



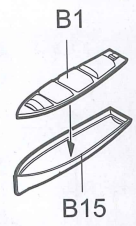
4



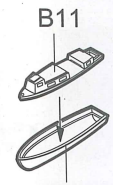
5



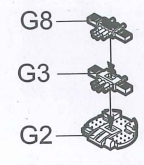
制作2套  
Make two



B15



B14

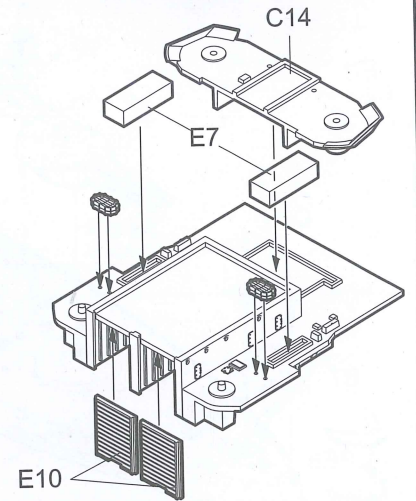
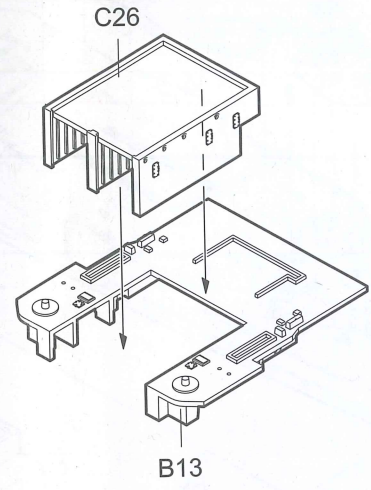
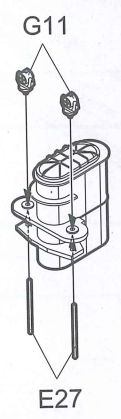
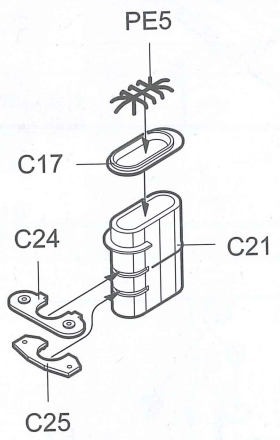


制作4套  
Make four

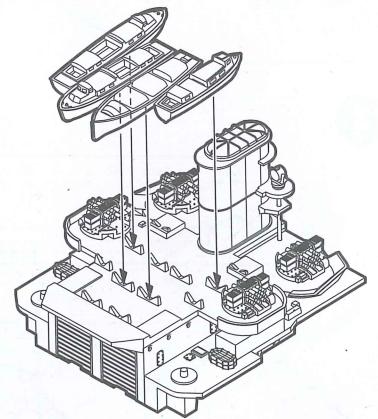
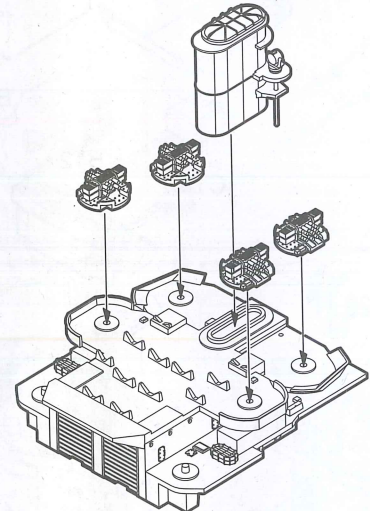
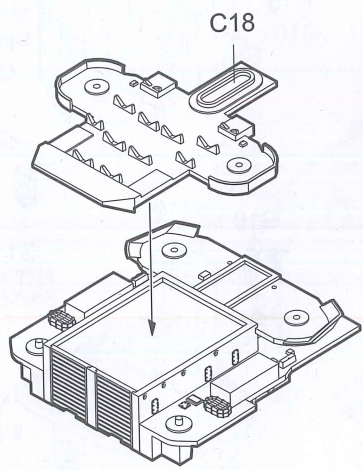


制作2套  
Make two

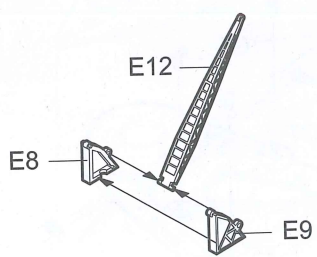
6



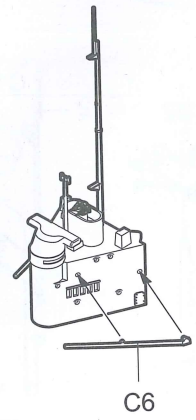
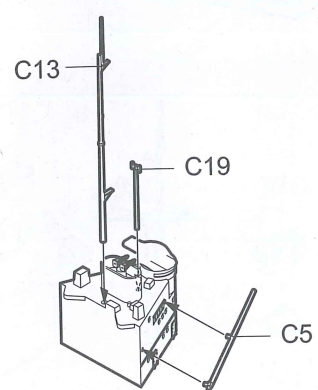
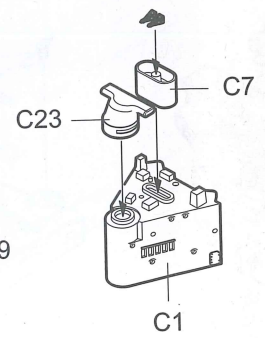
7

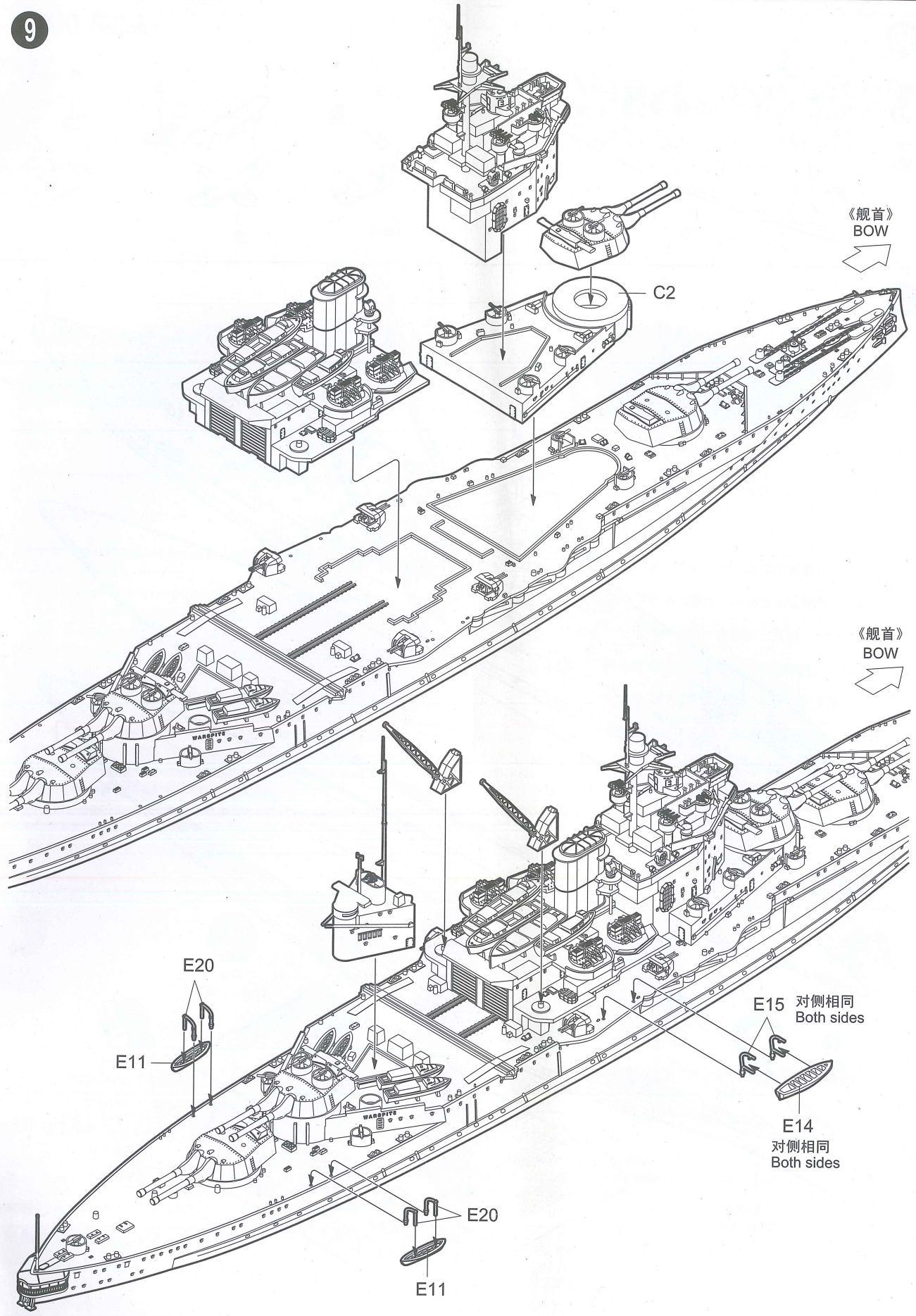


8

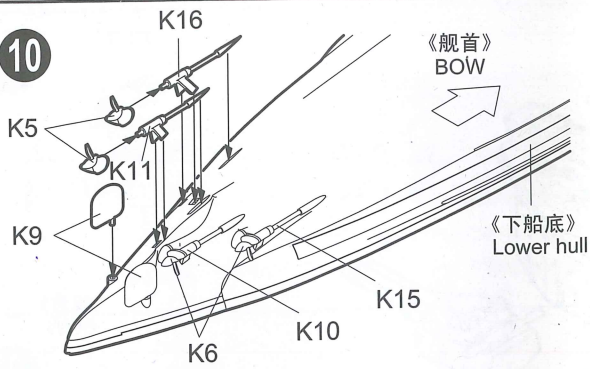


制作2套  
Make two



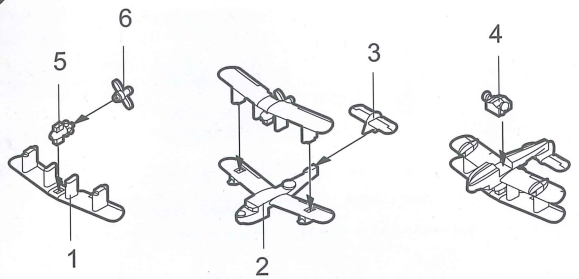


10

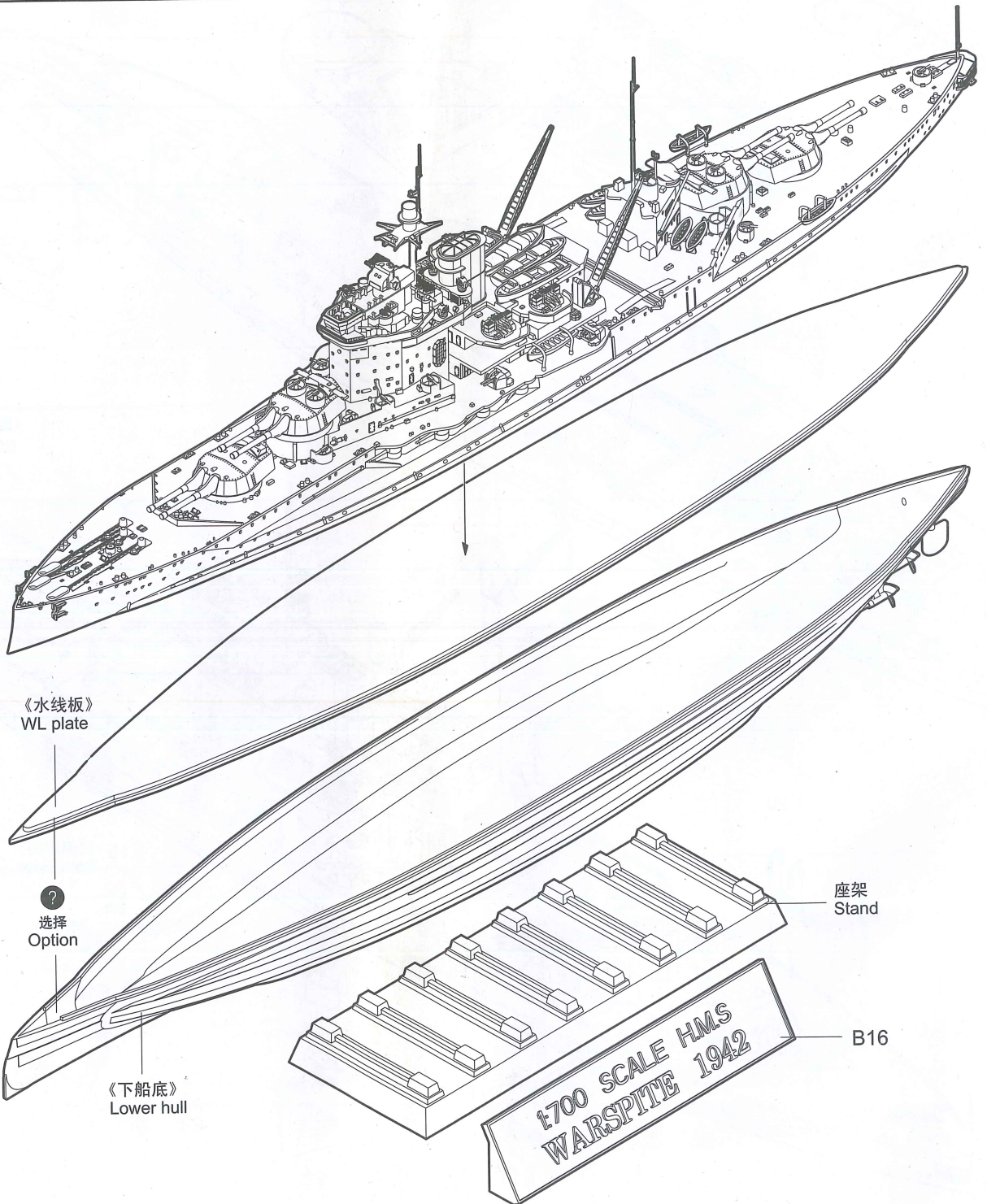


11

MK.1



12





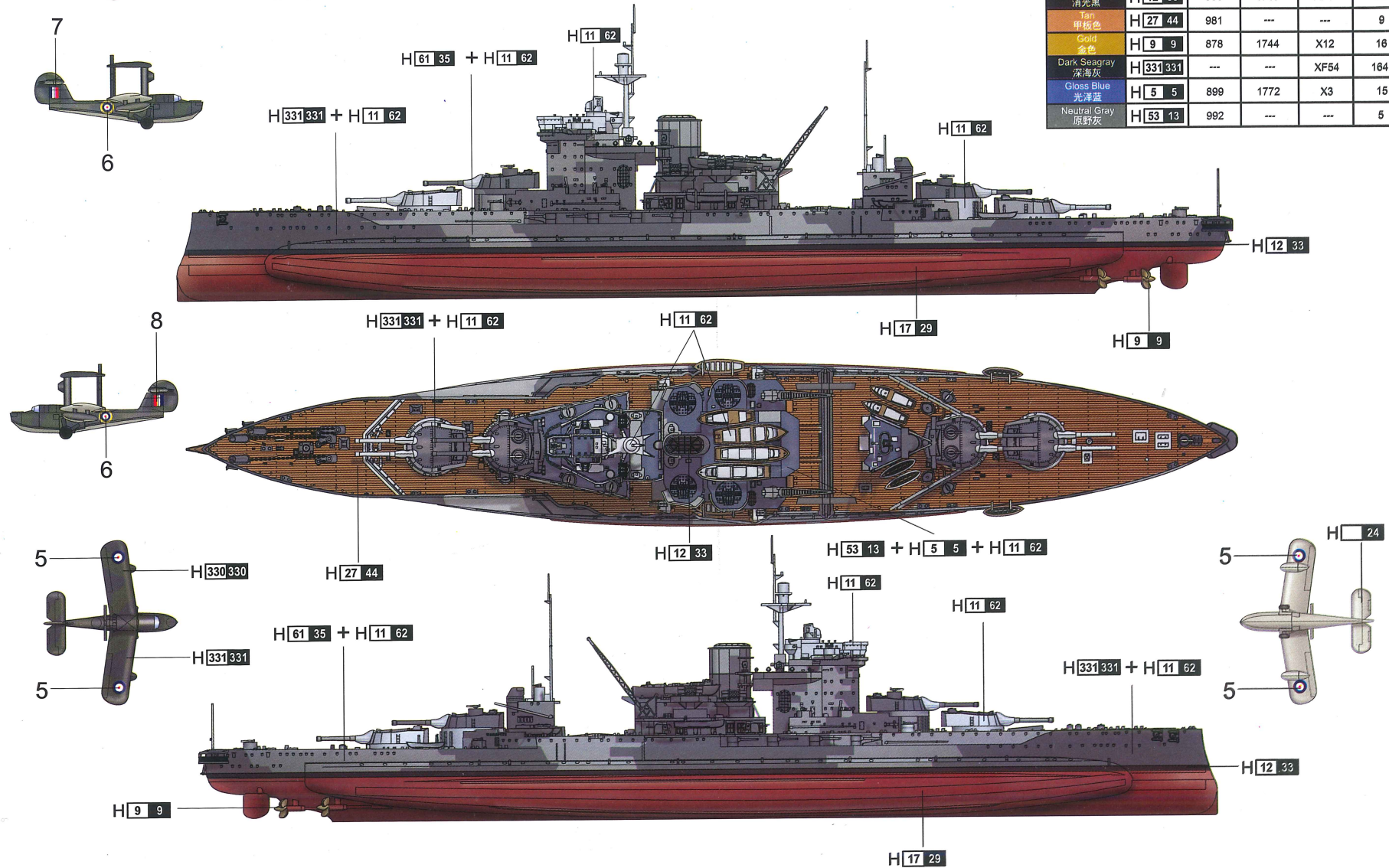
# 涂装同标贴指示

## Painting & Marking guide

### PAINT REFERENCE COLOUR

Color	Mr.Hobby	Vallejo	Model Master	Tamiya	Humbrol
Sky 英国空军迷彩	H 24	---	---	---	---
Dark Green 深绿色	H 330 330	892	---	---	163

Color	Mr.Hobby	Vallejo	Model Master	Tamiya	Humbrol
J/N Gray 明灰白	H 61 35	907	1731	---	146
Hull Red 舰底红	H 17 29	985	---	XF8	177
Flat White 哑光白	H 11 62	951	1768	XF2	34
Flat Black 消光黑	H 12 33	950	1749	XF1	33
Tan 暗棕色	H 27 44	981	---	---	9
Gold 金色	H 9 9	878	1744	X12	16
Dark Seagrass 深海灰	H 331 331	---	---	XF54	164
Gloss Blue 光泽蓝	H 5 5	899	1772	X3	15
Neutral Gray 原野灰	H 53 13	992	---	---	5



H  AQUEOUS HOBBY COLOR     Mr. COLOR

05795 1/700 HMS Warspite 1942