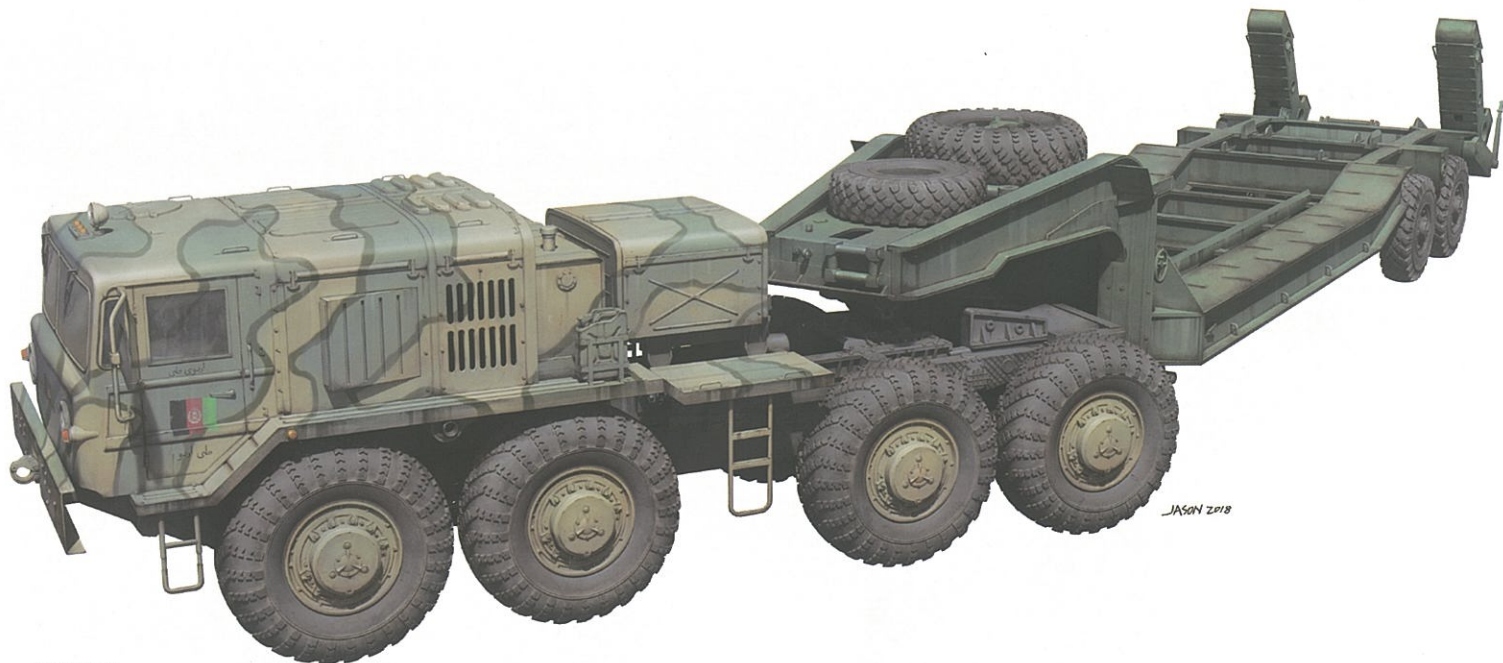


# RUSSIAN ARMY TANK TRANSPORTER



03.02.5004



**MAZ-537G TRACTOR  
w/CHMZAP-5247G SEMITRAILER**

# READ BEFORE ASSEMBLY

## CAUTION

- Read carefully and fully understand the instructions before commencing assembly. A supervising adult should also read the instructions if a child assembles the model.
- When assembling this kit, tools including knives used. Extra care should be taken to avoid personal injury.
- Keep out of reach of small children. Children must not be allowed to suck any part, or pull vinyl bag over their heads.



Instant Glue  
for Metal



Optional



Do Not Cement



Be Careful

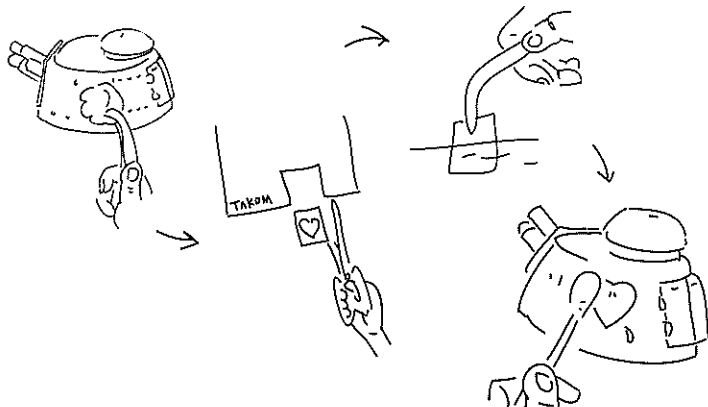
## PAINTS REQUIRED

Color info and profiles by Mig Jimenez

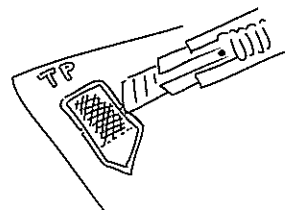
A.MIG 032 Satin Black	A.MIG 033 Rubber & Tires	A.MIG 043 Red	A.MIG 043 Crystal Red
A.MIG 044 Crystal Glass	A.MIG 047 Crystal Orange	A.MIG 105 Silver	A.MIG 047 Yellow Grey
A.MIG 046 Light Green Khaki	A.MIG 210 Blue gray AMF-11	A.MIG 048 Green Khaki	A.MIG 043 Zashchitnyy Zeleno
A.MIG 028 Olive Drab Shine	A.MIG 040 Matt Black		

## APPLYING DECALS

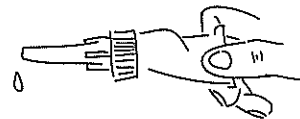
1. Clean the model surface with a wet cloth.
2. Cut out each decal design from sheet, and dip it in tepid water for 15~20 sec.
3. Hold the backing sheet edge and slide decal onto the model.
4. Move decal into position by wetting decal with finger.
5. Press decal gently down with a soft cloth until excess water and air bubbles are gone.



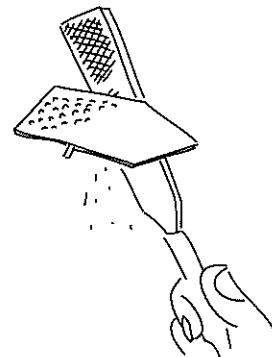
## REMOVING PE



Be careful not to hurt when removing PE parts.

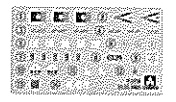
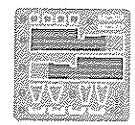
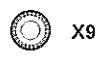
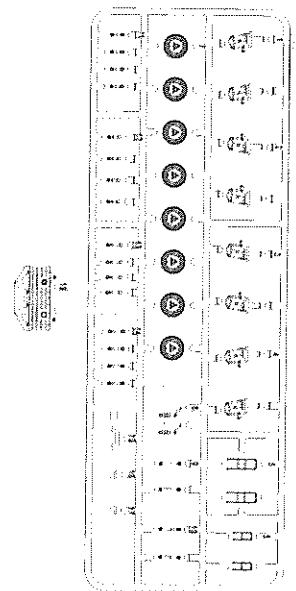
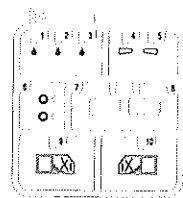
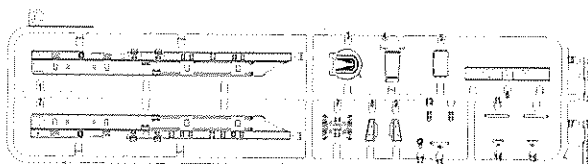
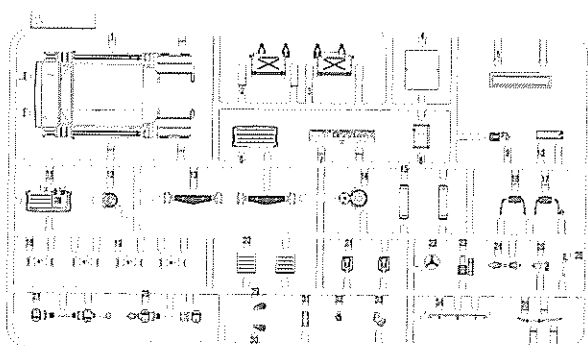
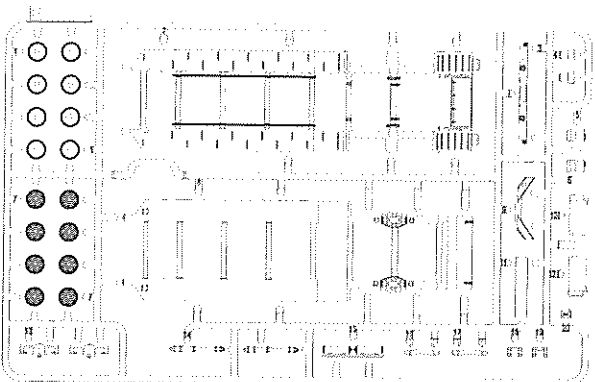
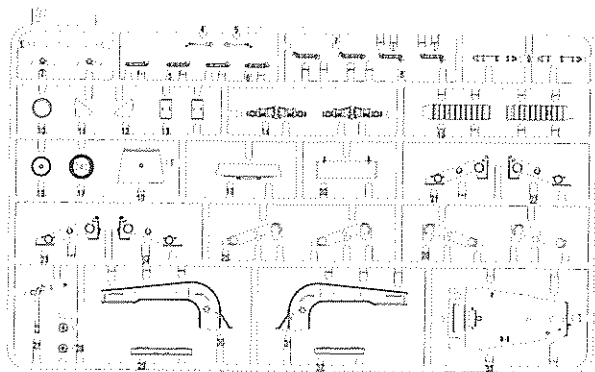


Secure using instant glue (not included).

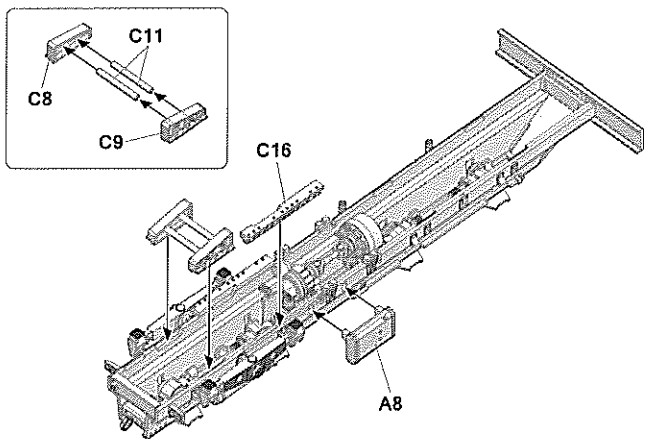
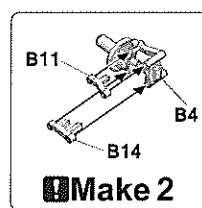
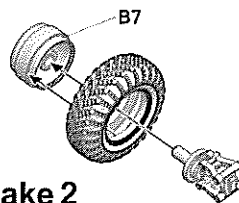
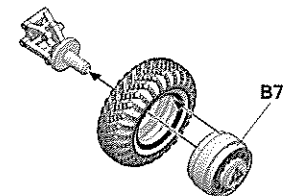
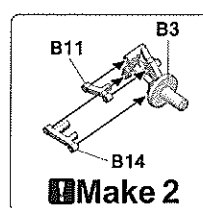
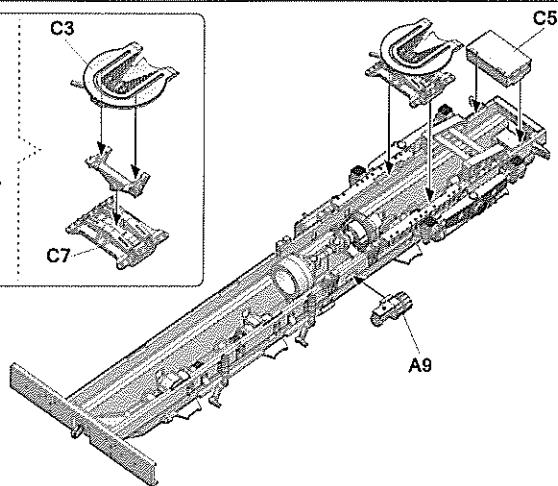
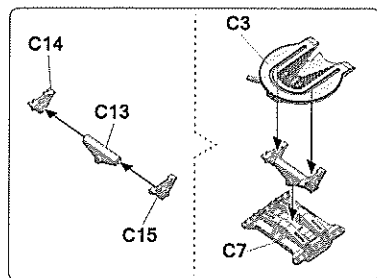
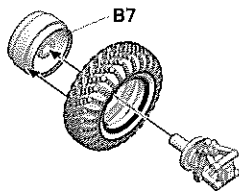
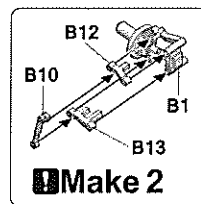
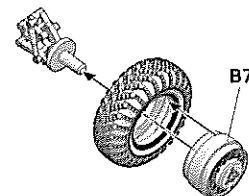
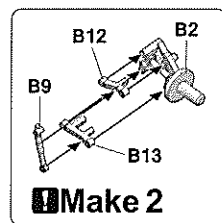


Finish using file.

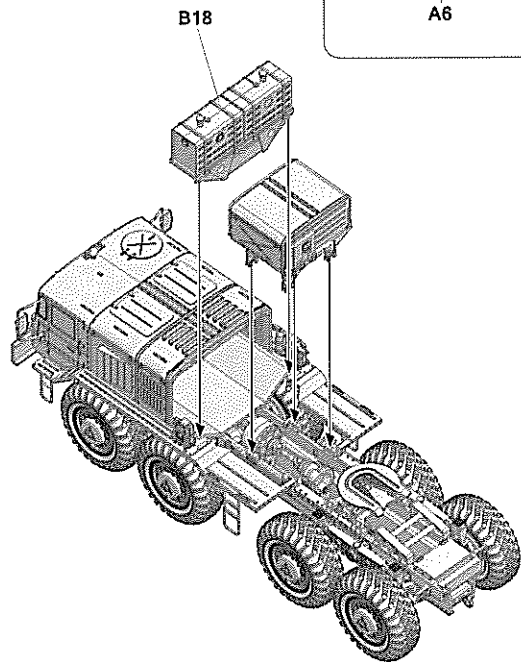
# PARTS



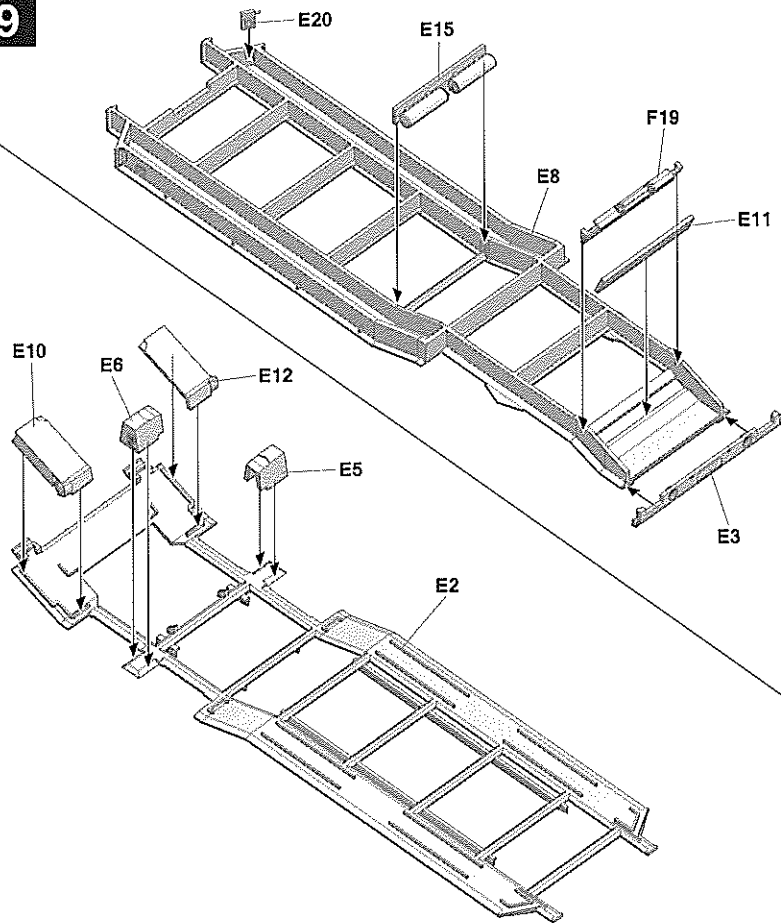


**3****4****A****Make 2****B****Make 2****C****Make 2****D****Make 2**

8

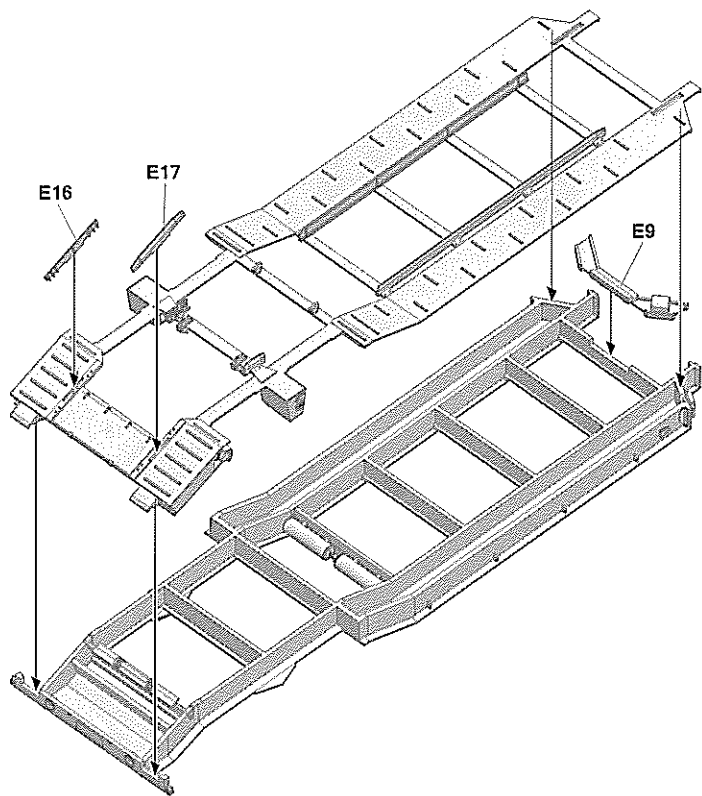


9

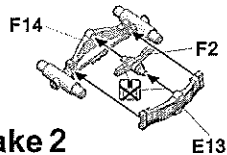


7

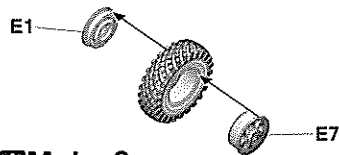
0



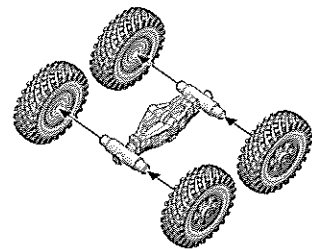
11



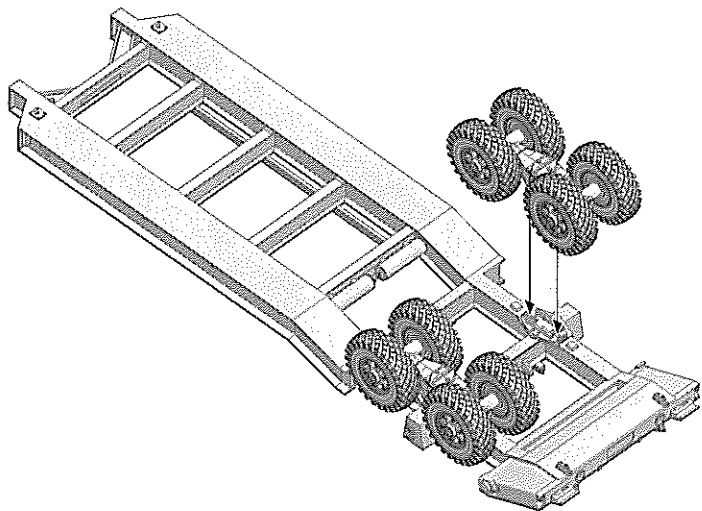
**Make 2**



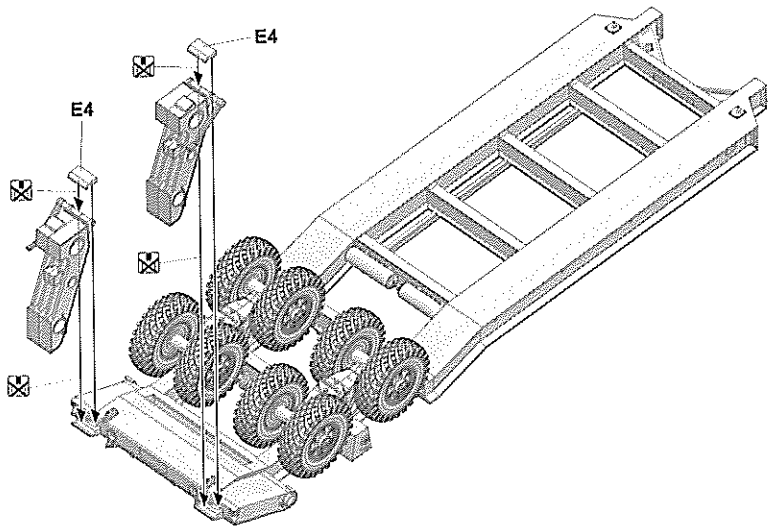
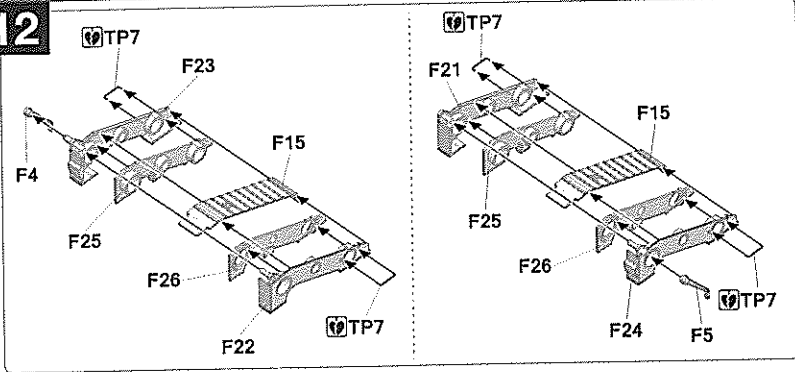
**Make 8**



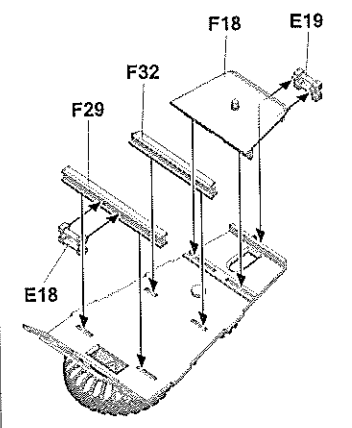
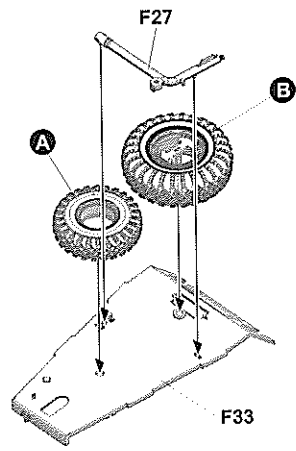
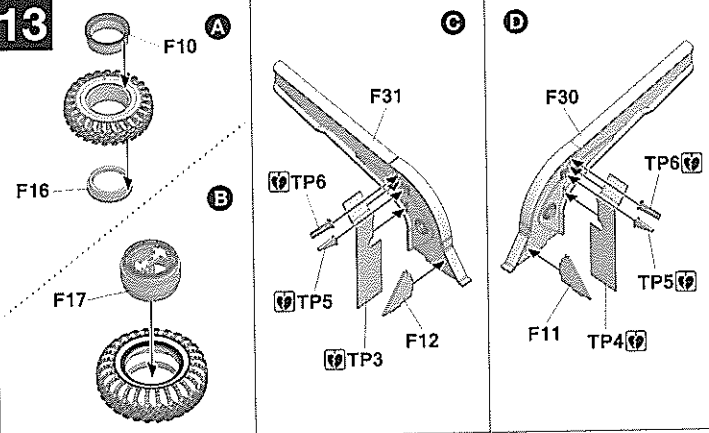
**Make 2**



12

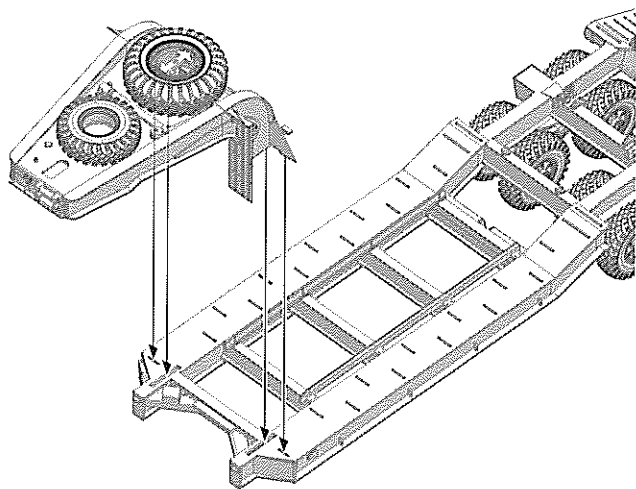
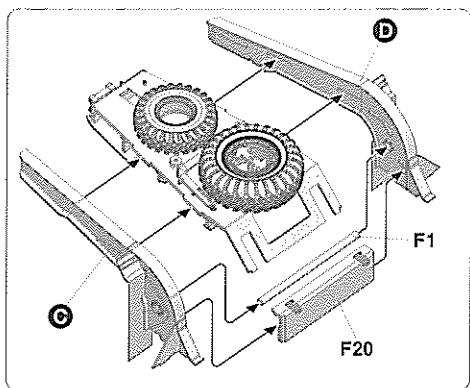


13

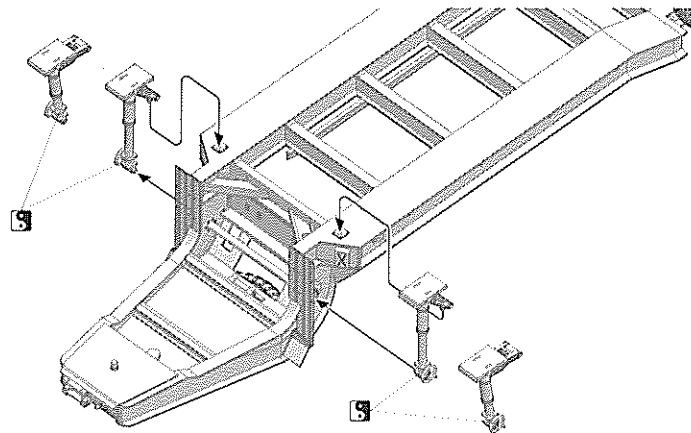
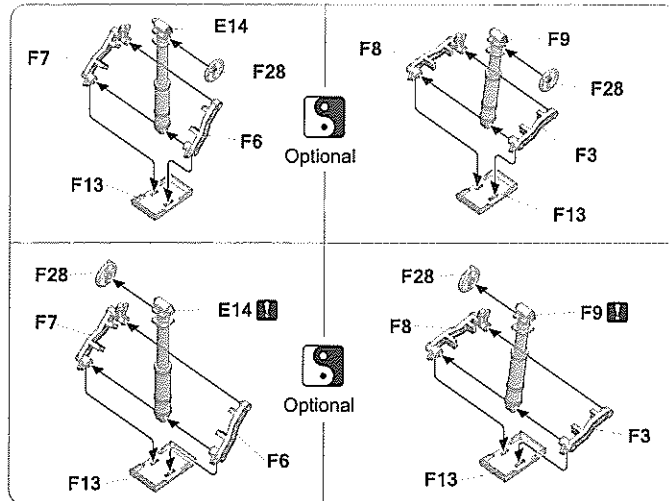




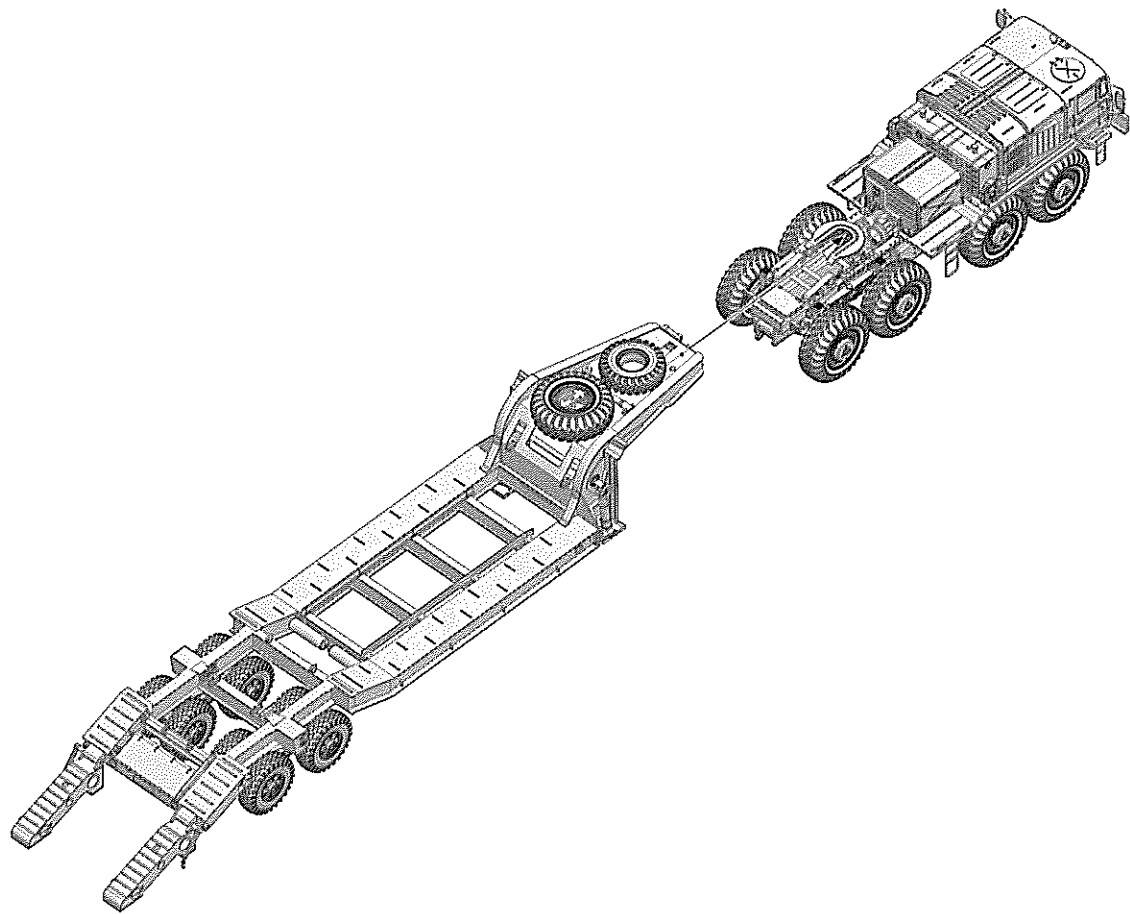
4



15



10



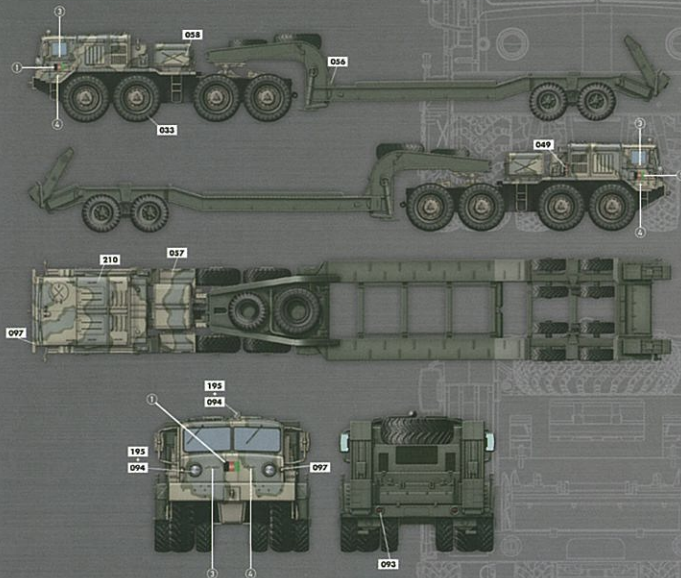
## Painting and Marking Guide

<b>A.MIG 037</b> Satin Black	<b>A.MIG 033</b> Rubber & Tire	<b>A.MIG 049</b> Red	<b>A.MIG 093</b> Crystal Red
<b>A.MIG 094</b> Crystal Glass	<b>A.MIG 097</b> Crystal Orange	<b>A.MIG 195</b> Silver	<b>A.MIG 037</b> Yellow Grey
<b>A.MIG 038</b> Light Green Khaki	<b>A.MIG 210</b> Blue grey AMF 11	<b>A.MIG 056</b> Green Khaki	

TAKOM Ref. 5004

1/72 MAZ-537 & MAZ ChMZAP 5247G  
Semi-trailer

AFGHAN ARMY



## WEATHERING STEPS WITH AMMO PRODUCTS

- GENERAL WASH**  
A.MIG-1030 Brown for German Dark Yellow
- FLUOR**  
A.MIG-1823 Oxide For Light Sand
- STREAKING**  
A.MIG-1267 Streaking Green for US Marine Vehicles
- RAIN MARKS**  
A.MIG-1208 Rainmarks Effects
- TIRES WASH**  
A.MIG-1421 Light Dust
- DUST**  
A.MIG-3018 Middle Ewal Dust
- MUD & SPLASHES**  
A.MIG-1700 Dry Light Soil, A.MIG-1702 Dry Earth
- GREASE & OIL**  
A.MIG-1408 Fresh Engine Oil

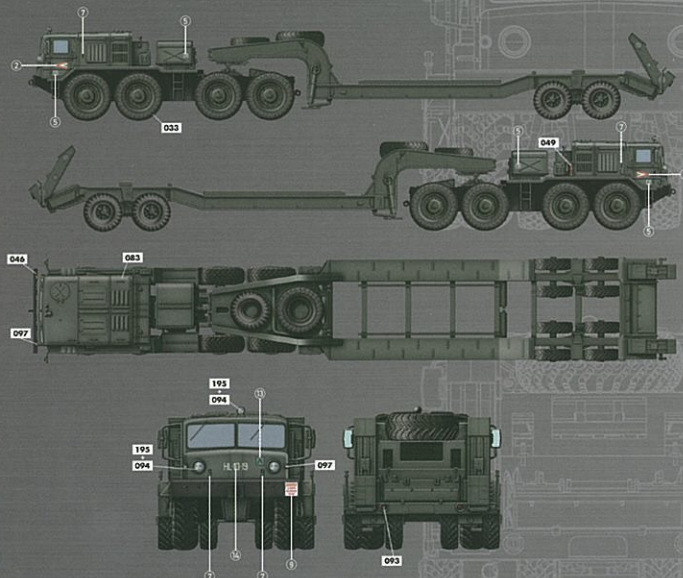
## Painting and Marking Guide

<b>A.MIG 037</b> Satin Black	<b>A.MIG 033</b> Rubber & Tire	<b>A.MIG 049</b> Red	<b>A.MIG 093</b> Crystal Red
<b>A.MIG 094</b> Crystal Glass	<b>A.MIG 097</b> Crystal Orange	<b>A.MIG 195</b> Silver	<b>A.MIG 033</b> Teal/Cherry Zeleno

TAKOM Ref. 5004

1/72 MAZ-537 & MAZ ChMZAP 5247G  
Semi-trailer

HUNGARIAN DEFENSE FORCES



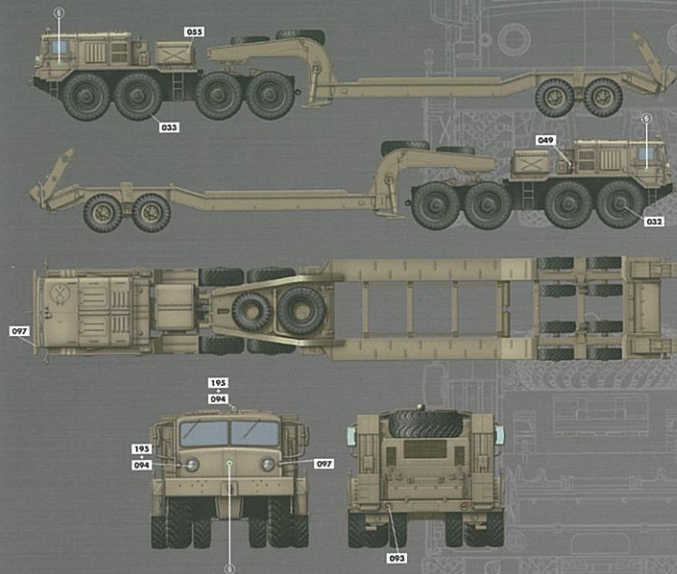
## WEATHERING STEPS WITH AMMO PRODUCTS

- GENERAL WASH**  
A.MIG-1030 Dark Wash
- FLUOR**  
A.MIG-1806 Brown for Dark Green
- STREAKING**  
A.MIG-1209 Dark Streaking Green
- TIRES WASH**  
A.MIG-1423 Earth
- DUST**  
A.MIG-3004 Europe Earth
- MUD & SPLASHES**  
A.MIG-1701 Light Soil, A.MIG-1702 Light Ground, A.MIG-1702 Light Ground
- GREASE & OIL**  
A.MIG-1408 Fresh Engine Oil

Painting and Marking Guide

- AMIG 032 Satin Black
- AMIG 033 Rubber & Tire
- AMIG 049 Red
- AMIG 092 Crystal Red
- AMIG 094 Crystal Glass
- AMIG 097 Crystal Orange
- AMIG 193 Silver
- AMIG 928 Olive Drab Shine

**TAKOM** Ref: 5004  
 1/72 MAZ-537 & MAZ ChMZAP 5247G  
 Semi-trailer  
 IRANIAN ARMY



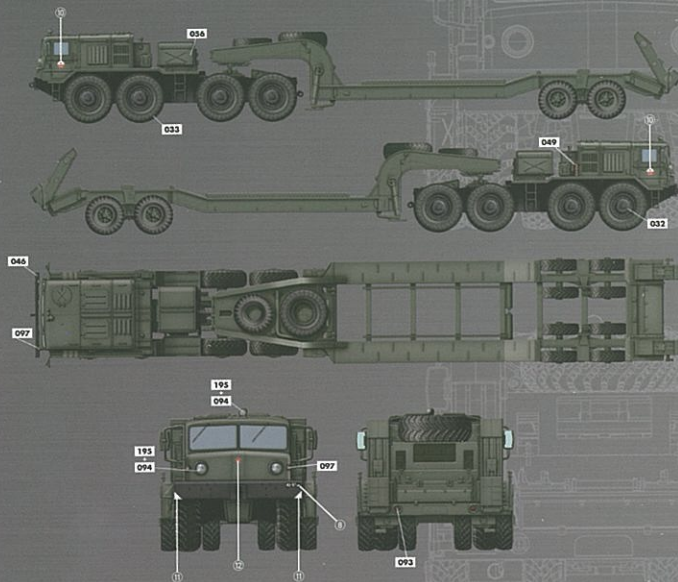
WEATHERING STEPS WITH AMMO PRODUCTS

- |   |  |  |   |
|---|--|--|---|
| <p><b>1 GENERAL WASH</b><br/>         A.MIG-1007 US Military Vehicle Wash</p> <p><b>2 FILTER</b><br/>         A.MIG-1025 Grey for Yellow Sand</p> | <p><b>3 STREAKING</b><br/>         A.MIG-1201 Streaking Chrome for DAK</p> <p><b>4 RAIN MARKS</b><br/>         A.MIG-1208 Rainmark Effects</p> | <p><b>5 TIRES WASH</b><br/>         A.MIG-1404 North Africa Dust</p> <p><b>6 DIRT</b><br/>         A.MIG-3012 Sand</p> | <p><b>7 MUD &amp; SPLASHES</b><br/>         A.MIG-1701 Thick Mud, A.MIG-1701 Dry Drip</p> <p><b>8 GREASE &amp; OIL</b><br/>         A.MIG-1408 Fresh Engine Oil</p> |
|---|--|--|---|

Painting and Marking Guide

- AMIG 032 Satin Black
- AMIG 033 Rubber & Tire
- AMIG 046 Matt Black
- AMIG 049 Red
- AMIG 092 Crystal Red
- AMIG 094 Crystal Glass
- AMIG 097 Crystal Orange
- AMIG 193 Silver
- AMIG 056 Green Khaki

**TAKOM** Ref: 5004  
 1/72 MAZ-537 & MAZ ChMZAP 5247G  
 Semi-trailer  
 SOVIET ARMY



WEATHERING STEPS WITH AMMO PRODUCTS

- |   |  |   |   |
|---|--|---|---|
| <p><b>1 GENERAL WASH</b><br/>         A.MIG-1008 Dark Brown Wash for Green Vehicles</p> <p><b>2 FILTER</b><br/>         A.MIG-1027 Tan for Yellow Green</p> | <p><b>3 STREAKING</b><br/>         A.MIG-1202 Streaking Chrome</p> <p><b>4 RAIN MARKS</b><br/>         A.MIG-1208 Rainmark Effects</p> | <p><b>5 TIRES WASH</b><br/>         A.MIG-1406 Damp Earth</p> <p><b>6 DIRT</b><br/>         A.MIG-3007 Dark Earth</p> | <p><b>7 MUD &amp; SPLASHES</b><br/>         A.MIG-1705 Wet Mud, A.MIG-1708 Wet Gravel</p> <p><b>8 GREASE &amp; OIL</b><br/>         A.MIG-1408 Fresh Engine Oil</p> |
|---|--|---|---|

# BERGEPANTHER Ausf.A

Assembled by Demag

## Full Interior Kit

- A TANK IS NOT A TOY
- A DETAILED STATIC DISPLAY PLASTIC MODEL
- A LINK & LENGTH STYLE TRACKS INCLUDED
- A FULL LENGTH CAN BE BUILT IN OPEN OR CLOSED POSITION
- A PE INCLUDED
- A TYPE OF MARKINGS

Designed by  
TAKOM  
in China

1/35  
No.2101

1/35  
No.2101

A READY TO ASSEMBLE PRECISION MODEL KIT. A PREVIOUS FIRE COLLECTORS OF AGE 14 YEARS AND ABOVE. A MODEL MAY VARY FROM IMAGE OR BOX. A CEMENT AND PAINT NOT INCLUDED.



# PANTHER Ausf.D

GERMAN TANK Sd.Kfz. 171

Early / Mid  
Production  
2in1

**BONUS**  
Transparent shell

- A DETAILED STATIC DISPLAY PLASTIC MODEL
- A TRACK ASSEMBLY IS MADE WITH THE USE OF A JOG
- A LINK & LENGTH STYLE TRACKS INCLUDED
- A FULL LENGTH CAN BE BUILT IN OPEN OR CLOSED POSITION
- A PE INCLUDED
- A TYPE OF MARKINGS

Full Interior

1/35  
No.2103

Designed by  
TAKOM  
in China

- A THIS IS NOT A TOY
- A READY TO ASSEMBLE PRECISION MODEL KIT
- A INTENDED FOR COLLECTORS OF AGE 14 YEARS AND ABOVE
- A MODEL MAY VARY FROM IMAGE OR BOX
- A CEMENT AND PAINT NOT INCLUDED



# BERGEPANTHER Ausf.D

Umbau Seibert 1945

- A TANK IS NOT A TOY
- A DETAILED STATIC DISPLAY PLASTIC MODEL
- A LINK & LENGTH STYLE TRACKS INCLUDED
- A FULL LENGTH CAN BE BUILT IN OPEN OR CLOSED POSITION
- A PE INCLUDED
- A TYPE OF MARKINGS

Designed by  
TAKOM  
in China

1/35  
No.2102

1/35  
No.2102

A READY TO ASSEMBLE PRECISION MODEL KIT. A PREVIOUS FIRE COLLECTORS OF AGE 14 YEARS AND ABOVE. A MODEL MAY VARY FROM IMAGE OR BOX. A CEMENT AND PAINT NOT INCLUDED.

Full Interior Kit



# PANTHER Ausf.D LATE Production w/Zimmerit

Sd.Kfz. 171



- A DETAILED STATIC DISPLAY PLASTIC MODEL
- A TRACK ASSEMBLY IS MADE WITH THE USE OF A JOG
- A LINK & LENGTH STYLE TRACKS INCLUDED
- A FULL LENGTH CAN BE BUILT IN OPEN OR CLOSED POSITION
- A PE INCLUDED
- A TYPE OF MARKINGS

1/35  
No.2104

- A THIS IS NOT A TOY
- A READY TO ASSEMBLE PRECISION MODEL KIT
- A INTENDED FOR COLLECTORS OF AGE 14 YEARS AND ABOVE
- A MODEL MAY VARY FROM IMAGE OR BOX
- A CEMENT AND PAINT NOT INCLUDED



Full Interior





You can find TAKOM on Facebook.com