



E-2C HAWKEYE 2000

The E-2 Hawkeye is the Navy's all-weather, carrier-based tactical battle management airborne early warning, command and control aircraft. The E-2 is a twin engine, five crewmember, high-wing turboprop aircraft with a 24-foot diameter radar rotodome attached to the upper fuselage.

In United States service, the Hawkeye provides all-weather airborne early warning and command and control functions for the carrier battle group. Additional missions include surface surveillance coordination, strike and interceptor control, search and rescue guidance and communications relay. An integral component of the carrier air wing, the E-2C uses computerized sensors to provide early warning, threat analysis and control of counteraction against air and surface targets.

The original E-2C, known as the Group 0, became operational in 1973 and has been through several upgrade programs since then. The first of these was the E-2C Group I which replaced the older APS-125 radar and T56-A-425 engines with the improved APS-139 and T56-A-427. This version was soon followed by the further improved Group II which now featured the APS-145 radar.

Since its combat debut during the Vietnam conflict, the E-2 has served the US Navy around the world. Hawkeyes (from VAW-123 "Screwtops" aboard the USS America) directed F-14 fighters flying combat air patrol during Operation El Dorado Canyon, the two-carrier battle group joint strike against terrorist-related Libyan targets in 1986. More recently, E-2Cs provided the command and control for both land and air operations during the Gulf War.

8	H8	SILVER
28	H18	STEEL
33	H12	FLAT BLACK
41	H47	RED BROWN
47	H90	CLEAR RED
49	H92	CLEAR ORANGE

55	H81	KHAKI
59	H14	ORANGE
61	H76	BURNT IRON
92		SEMI GROSS BLACK
101	H95	SMOKE GRAY
137	H77	TIRE BLACK

138		CLEAR GREEN
315	H315	GRAY FS16440
316	H316	WHITE FS17875
317	H317	GRAY FS36231
327	H327	RED FS11136
329	H329	YELLOW FS13538

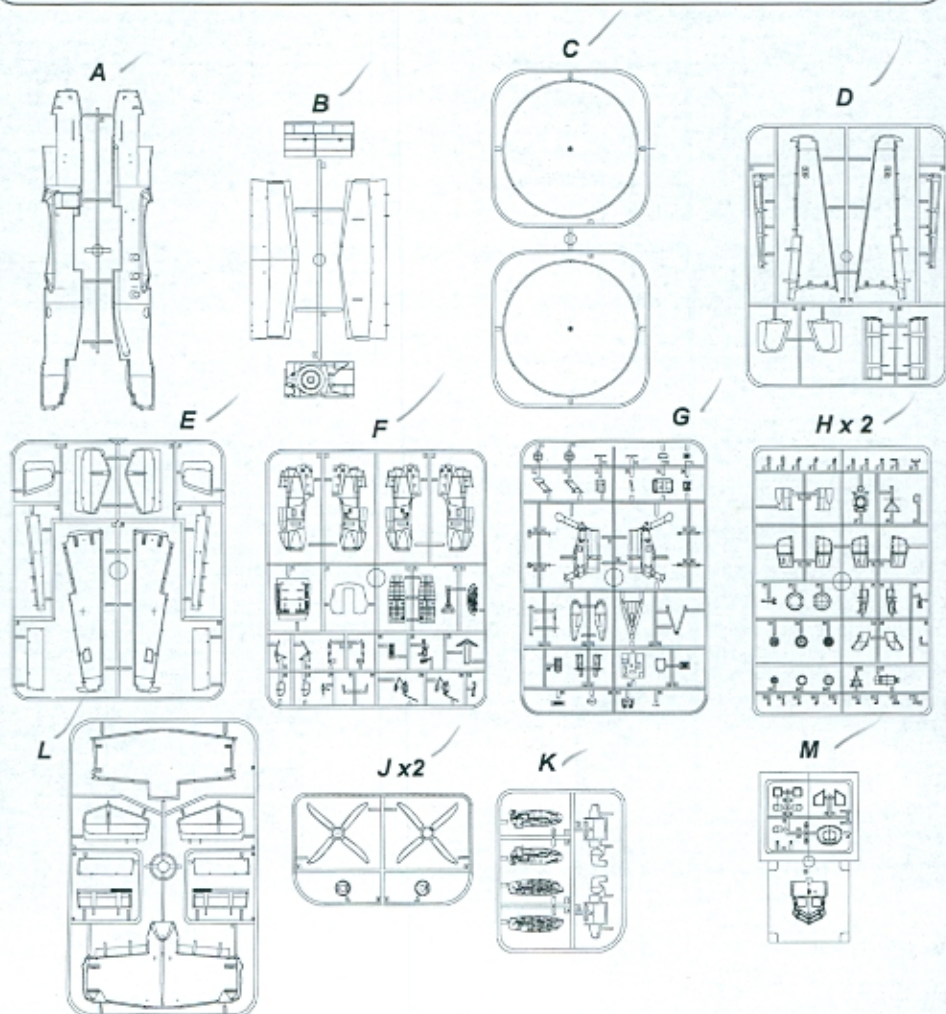
1 GSI Mr. Color

H1 GSI Creos Aqueous Hobby color

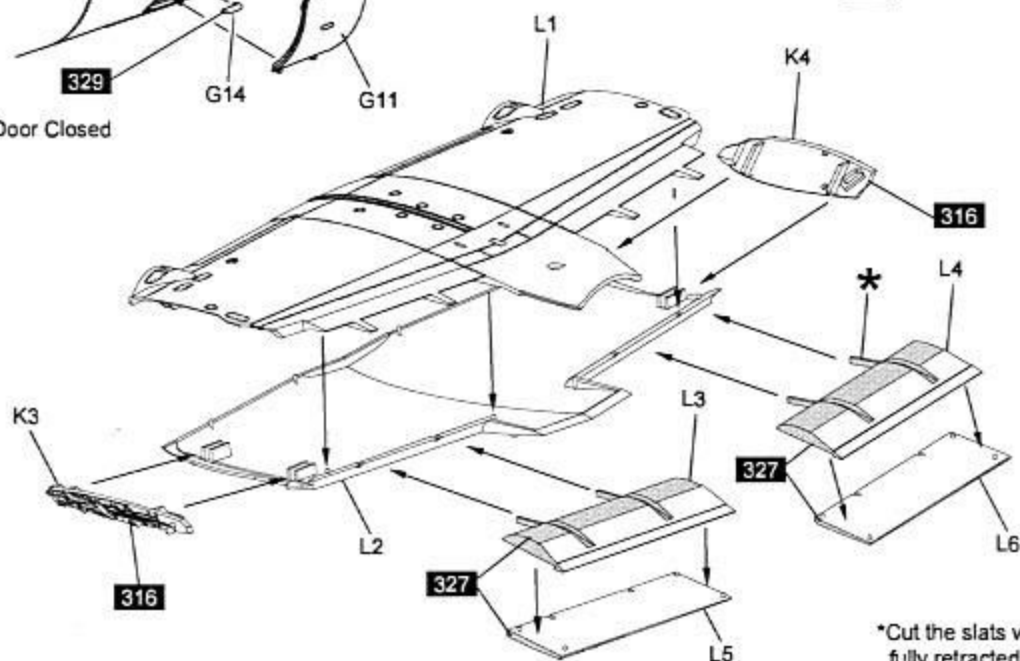
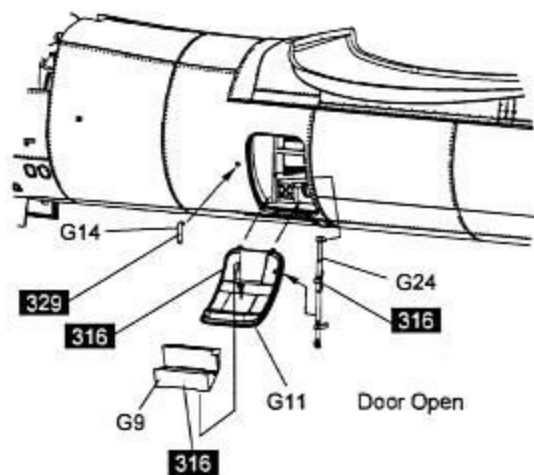
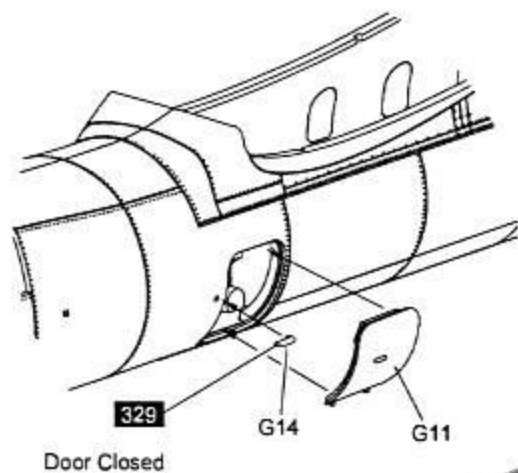
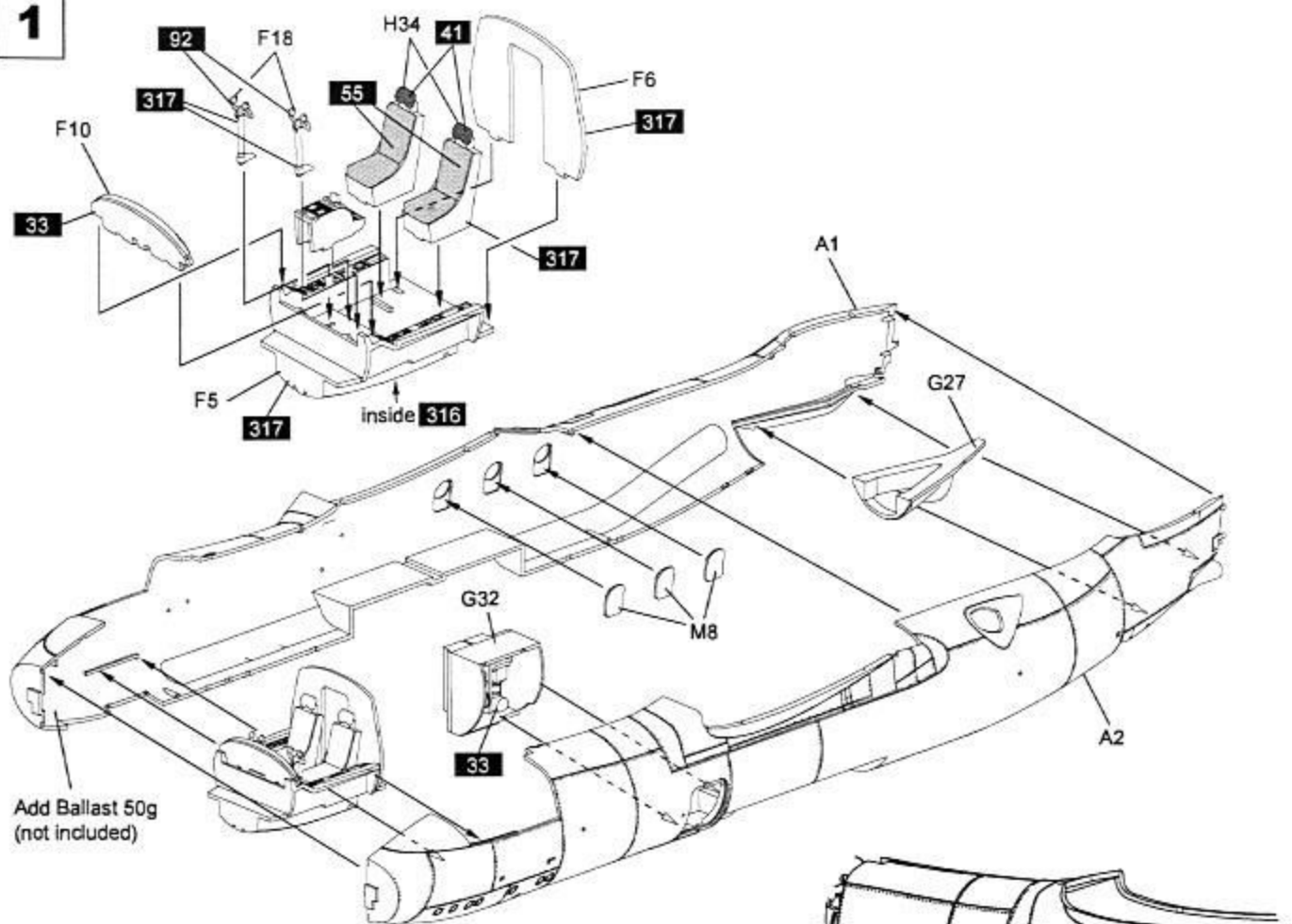
Glue is not included in this kit.

1/48 SCALE AIRCRAFT SERIES NO:48016
⚠ CAUTION

- *Read carefully and fully understand the instructions before commencing assembly.
- *Keep out of reach of children. Children must not be allowed to put any parts in their mouths, or pull plastic bag over their heads.
- *When using adhesives and paints, please make sure not to use them in closed room or near the fire.
- *When assembling this kit, tools including knives are used. Extra care should be taken to avoid injury.

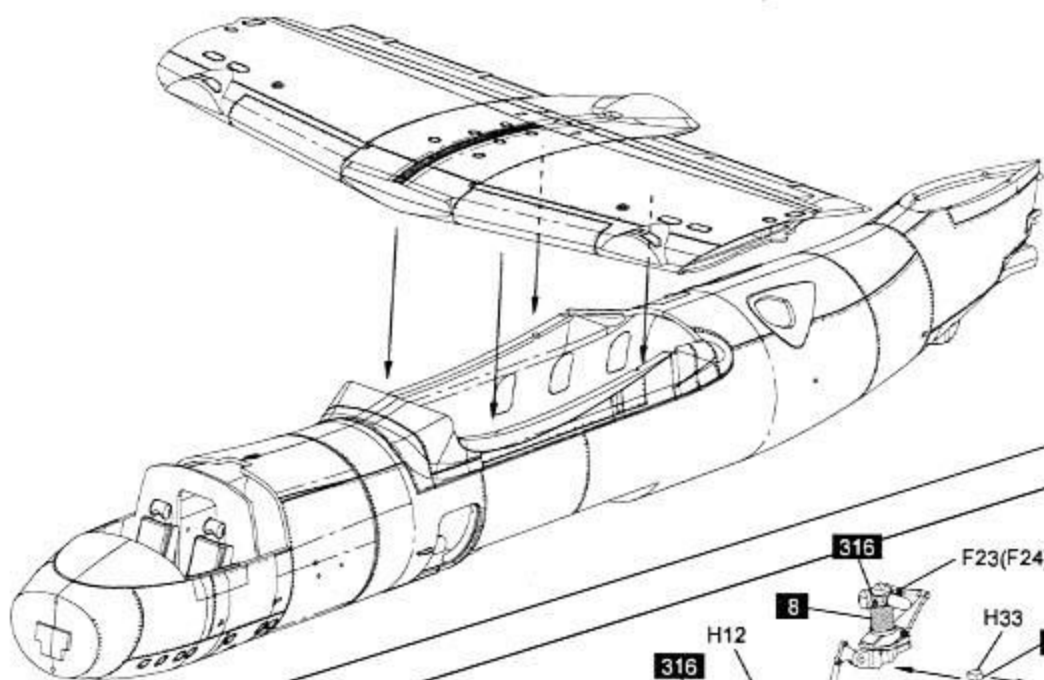
WARNING: CONTAIN SMALL PARTS NOT FOR CHILDREN UNDER 14 YEARS OF AGE.


1

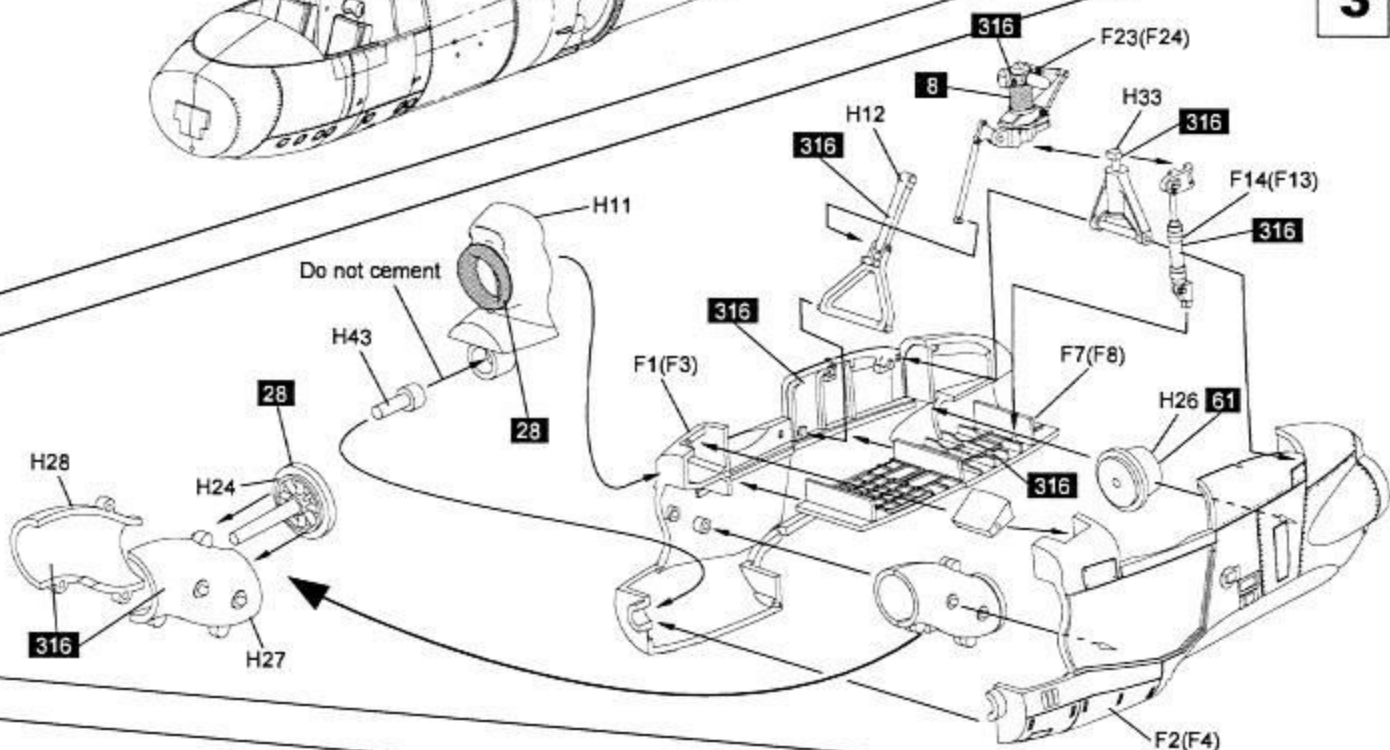


*Cut the slats when the flaps are fully retracted

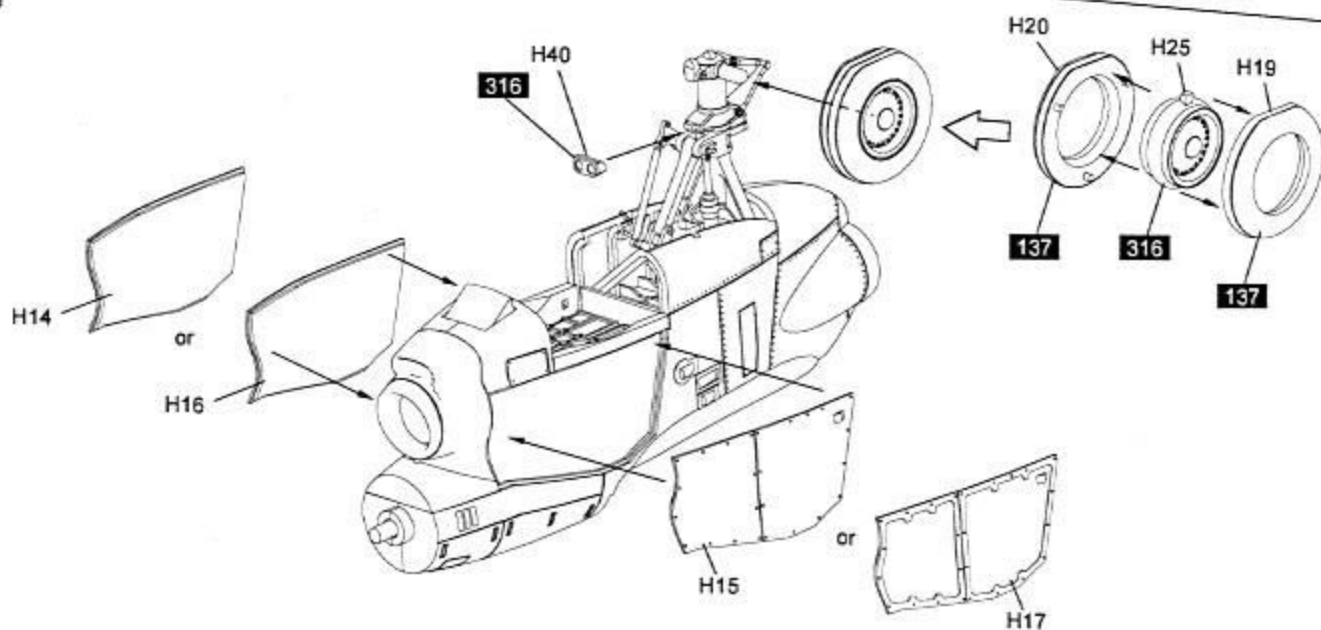
2



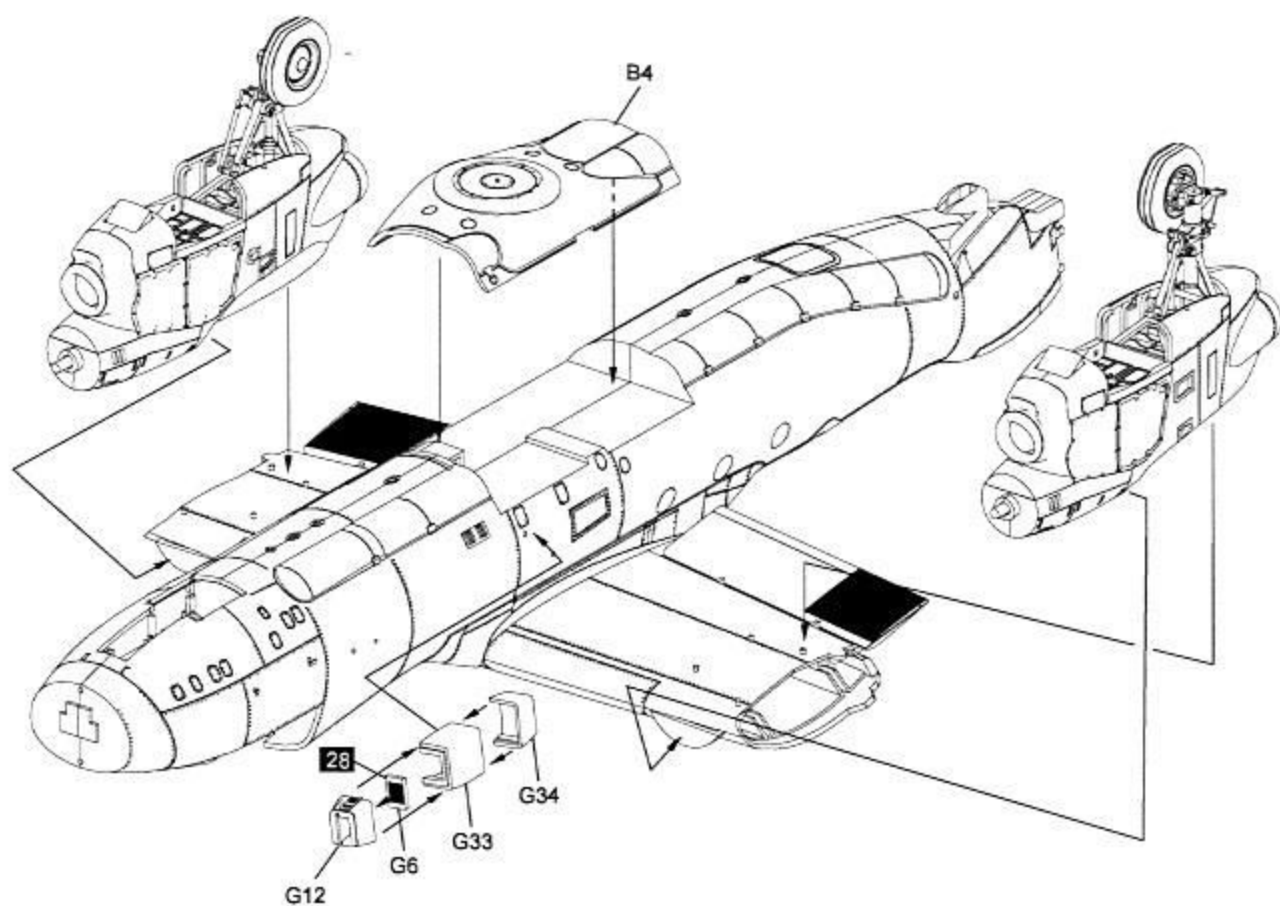
3



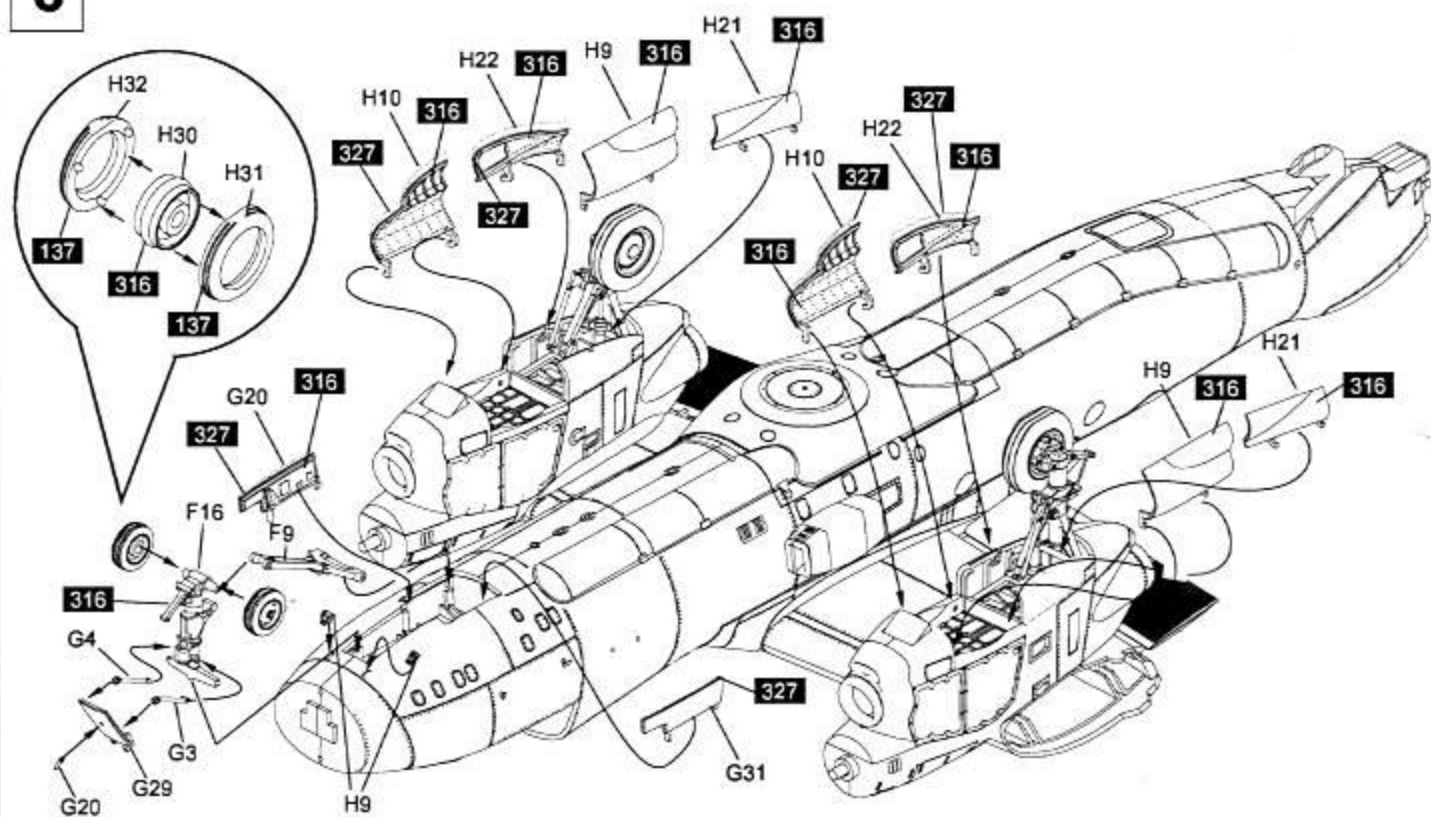
4

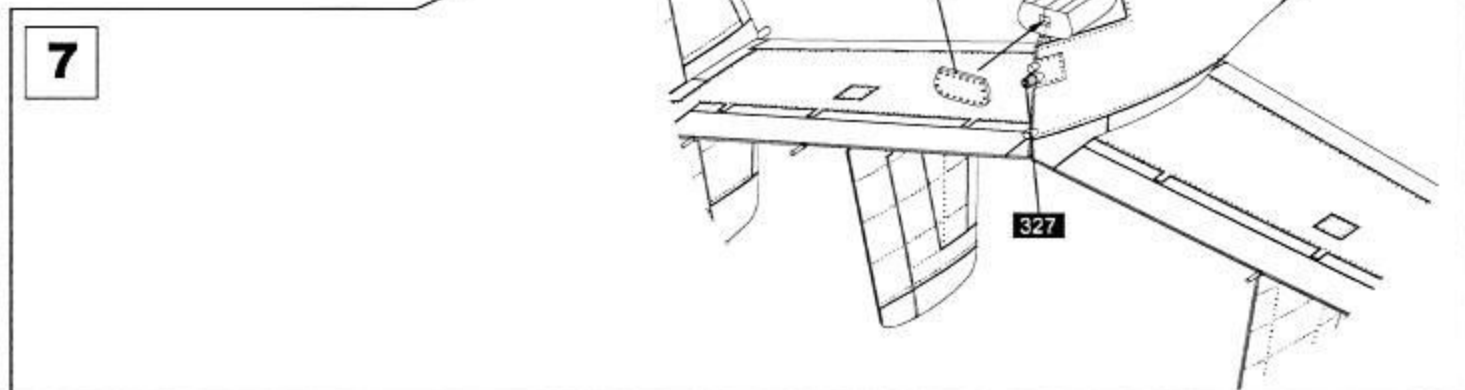
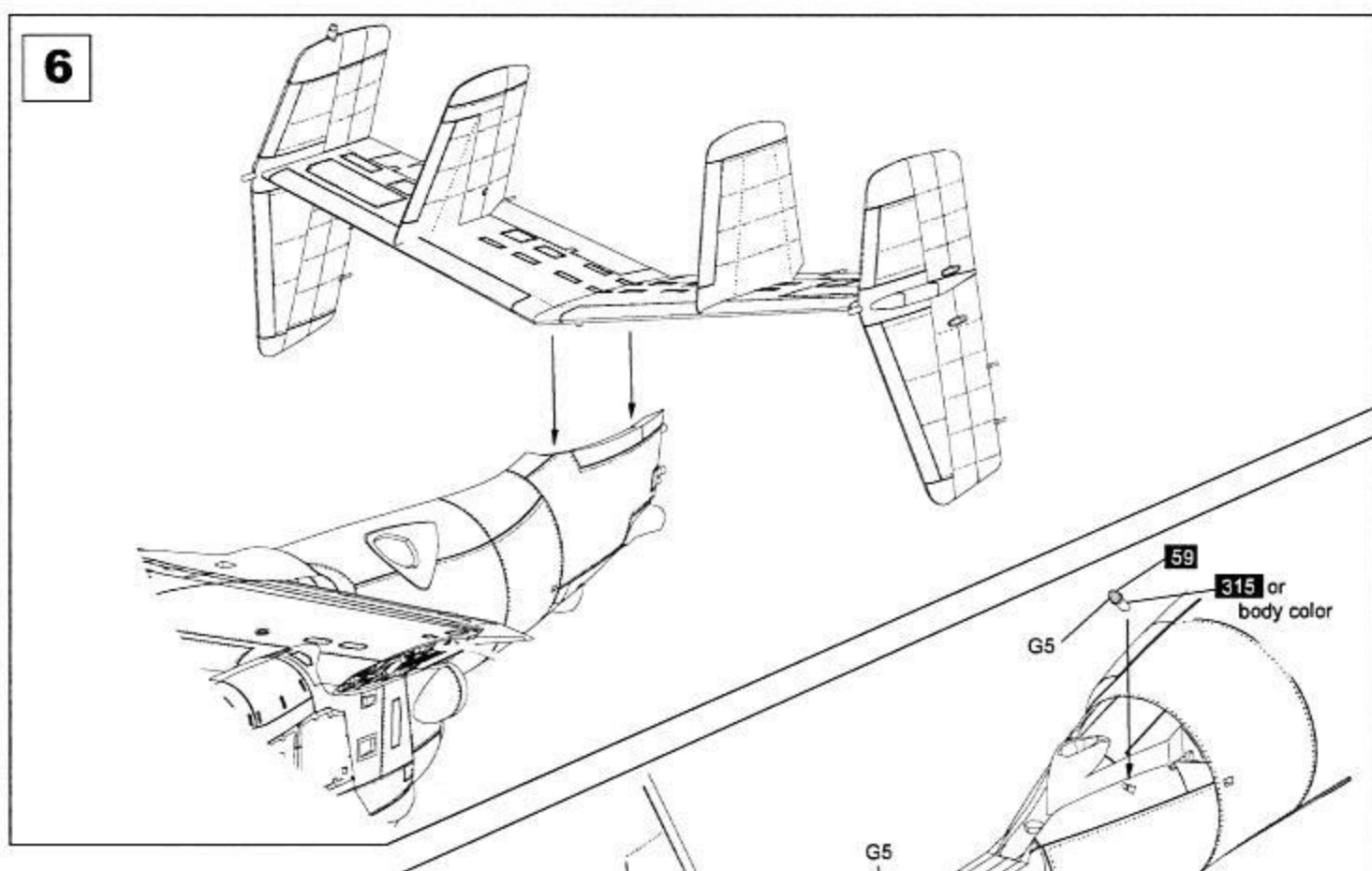
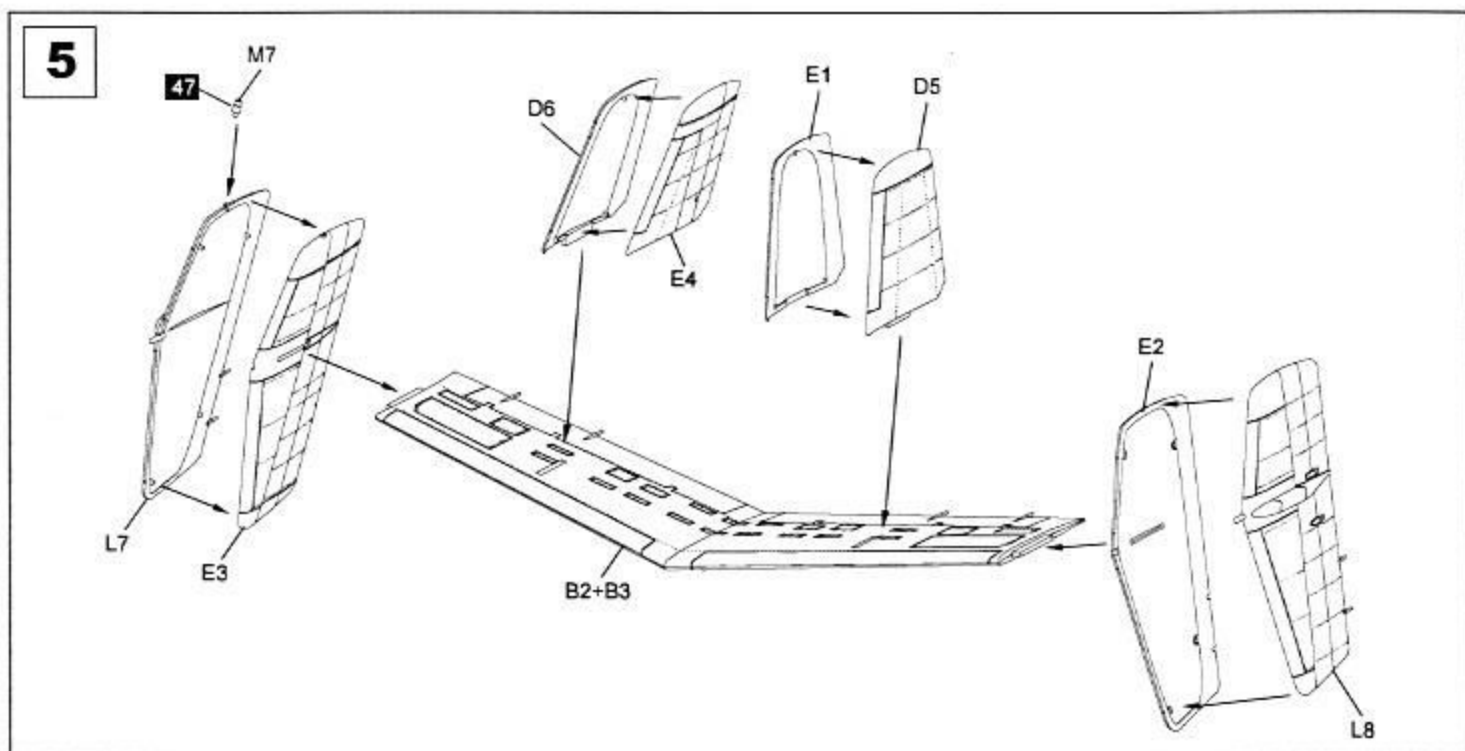


5

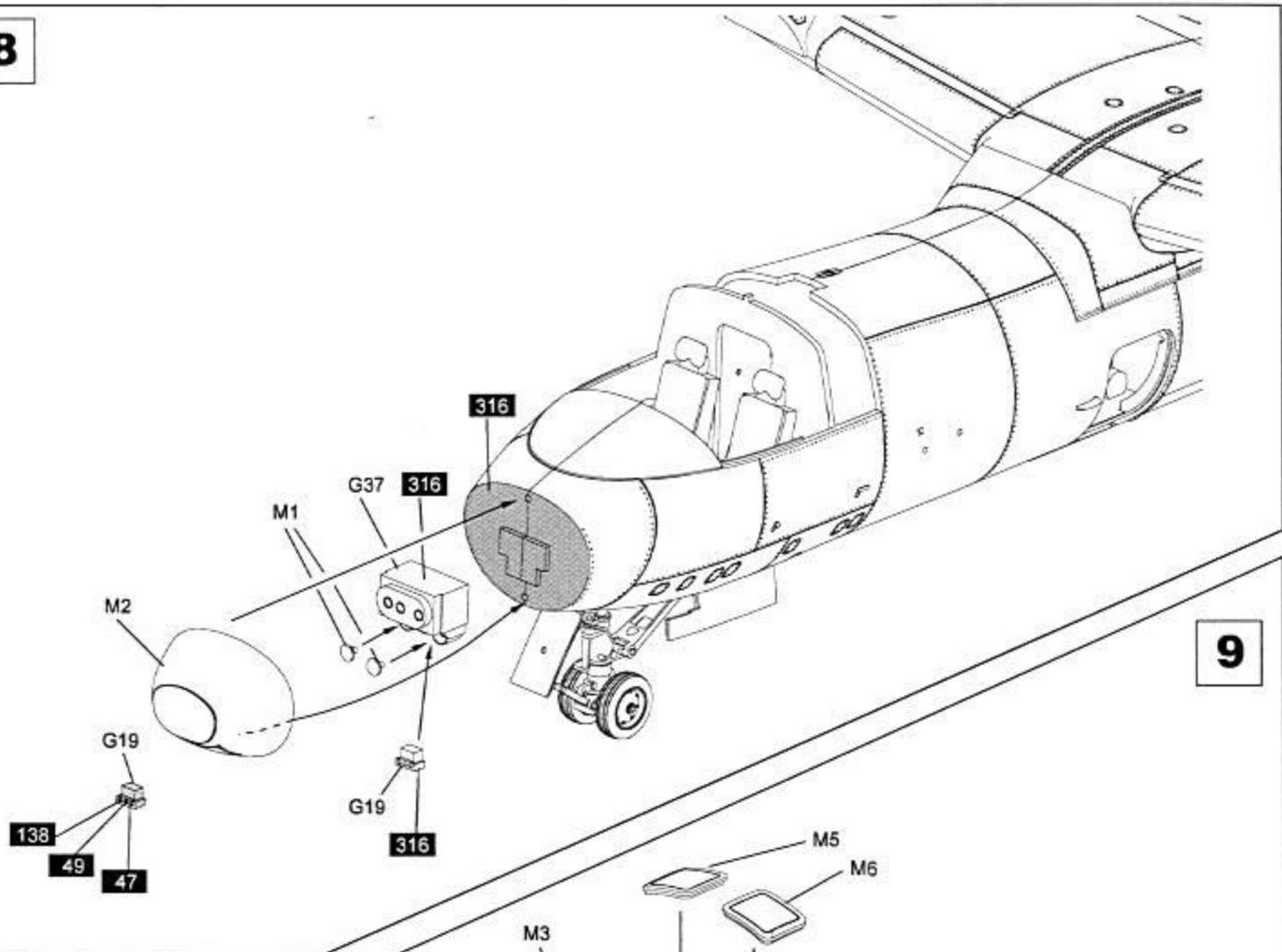


6

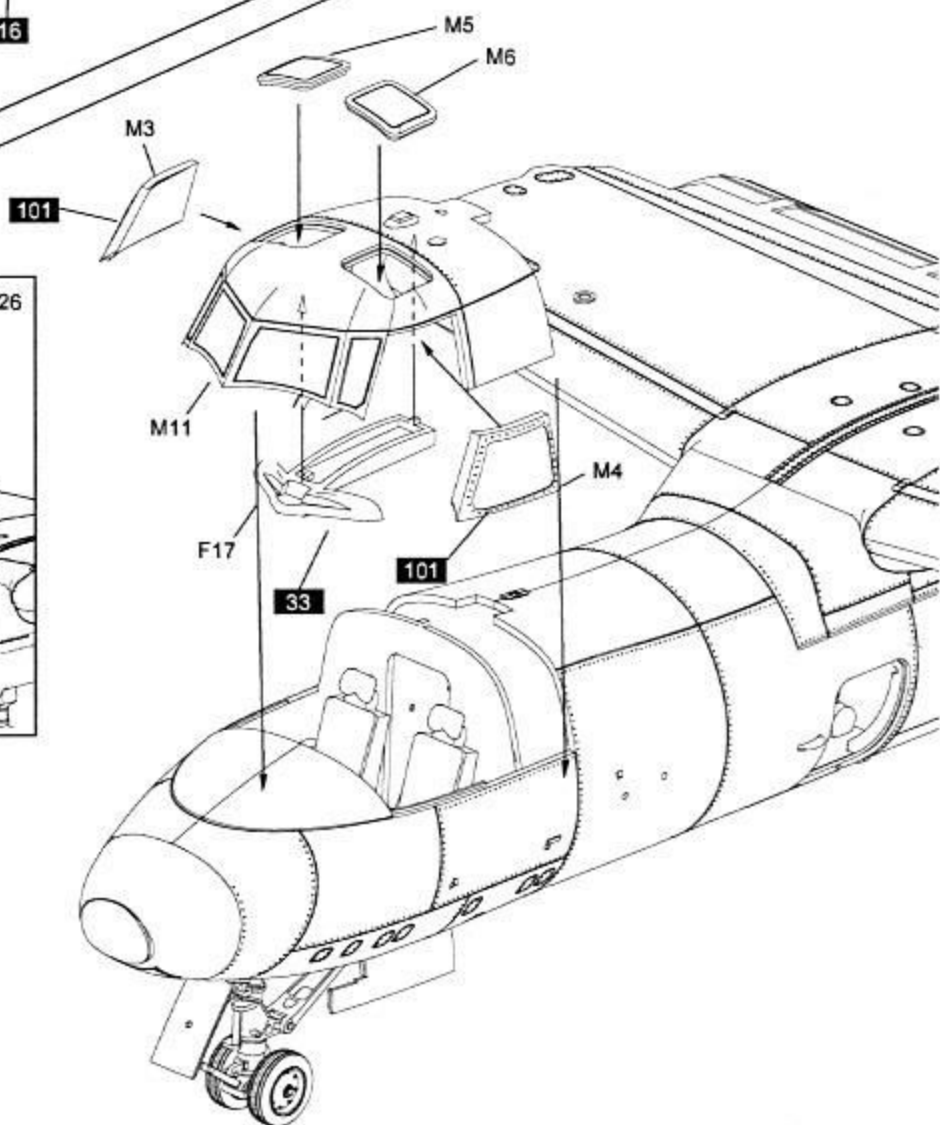
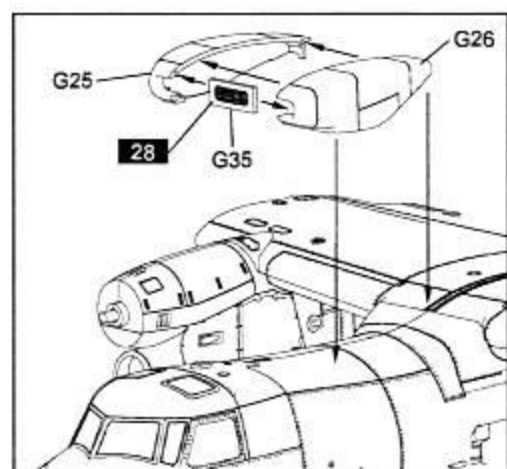




8

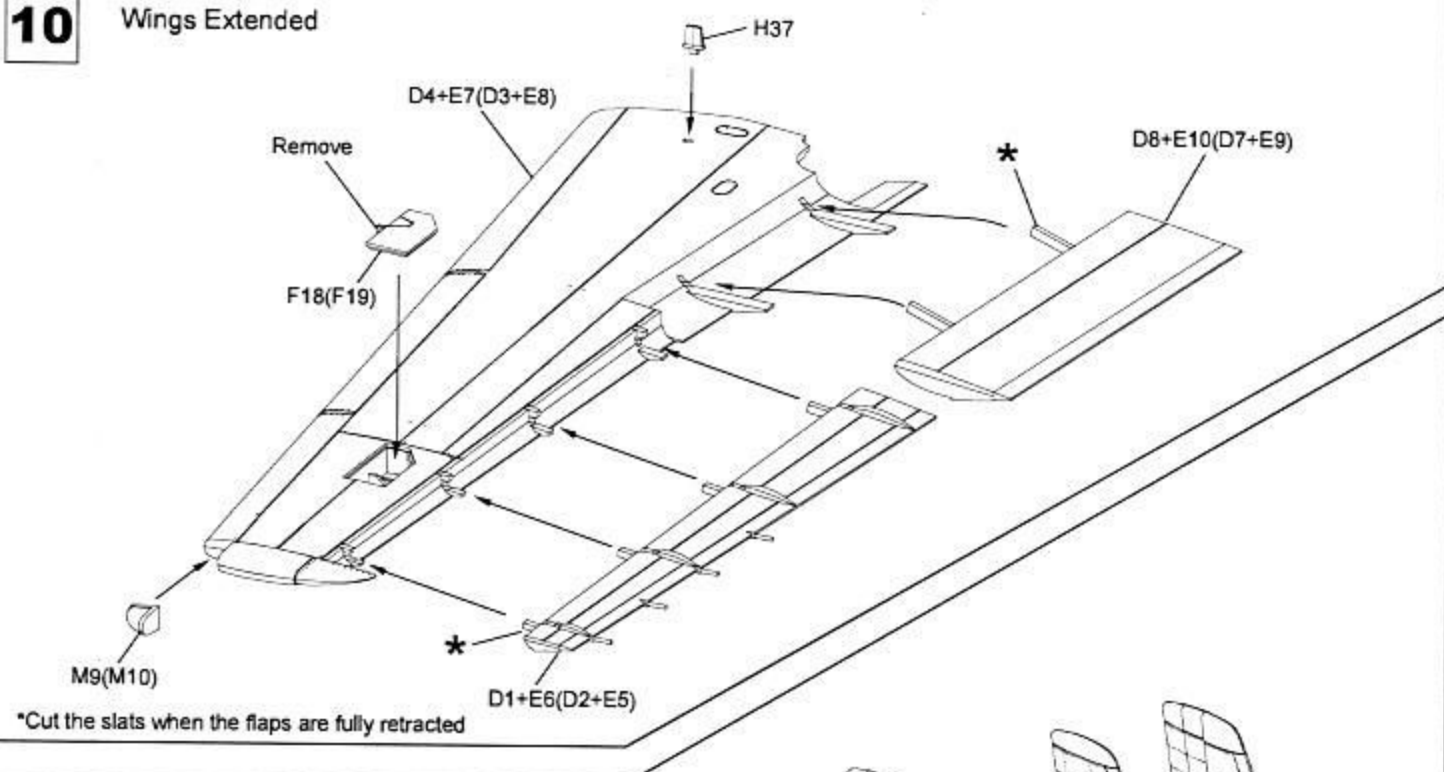


9



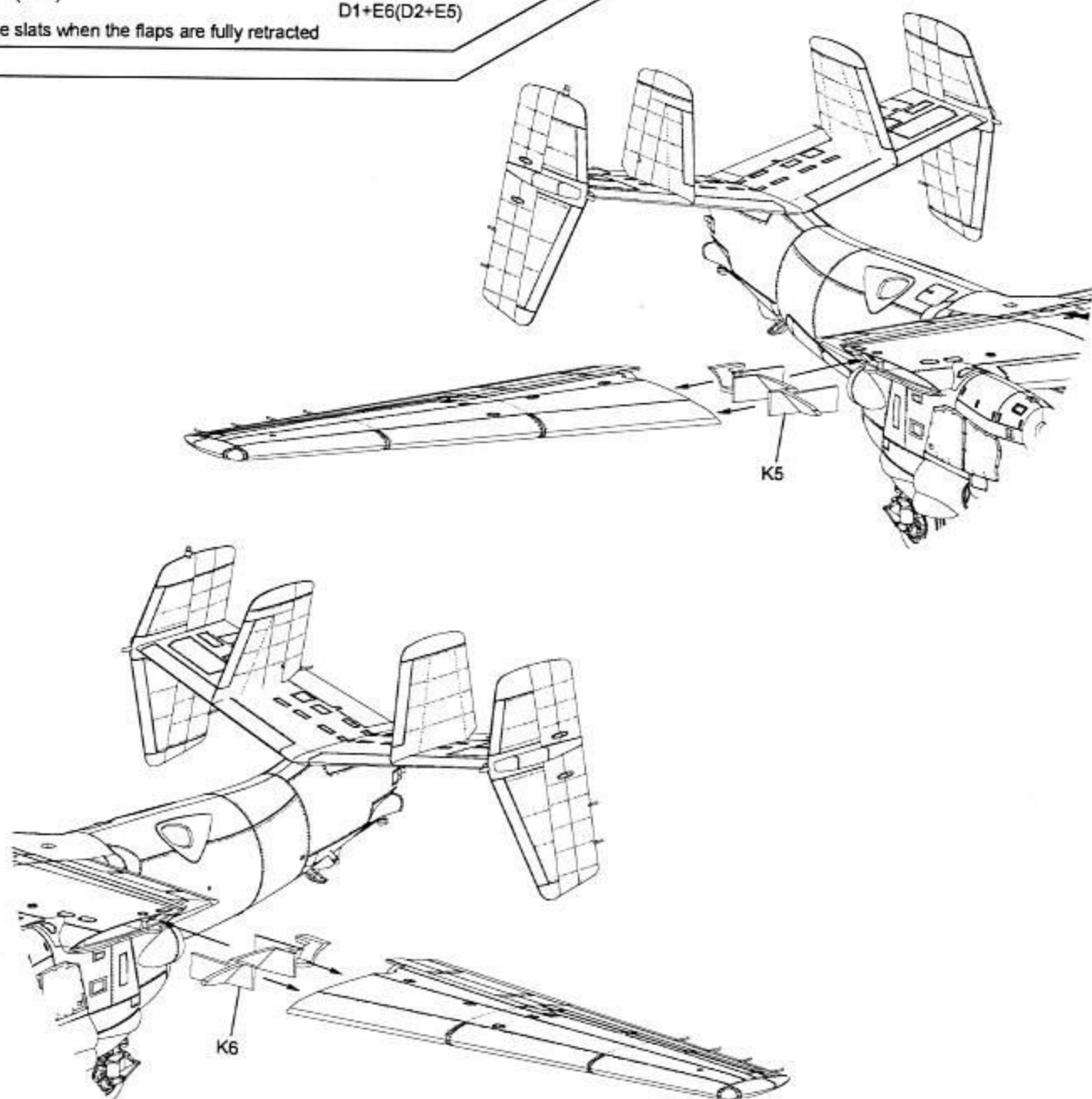
10

Wings Extended



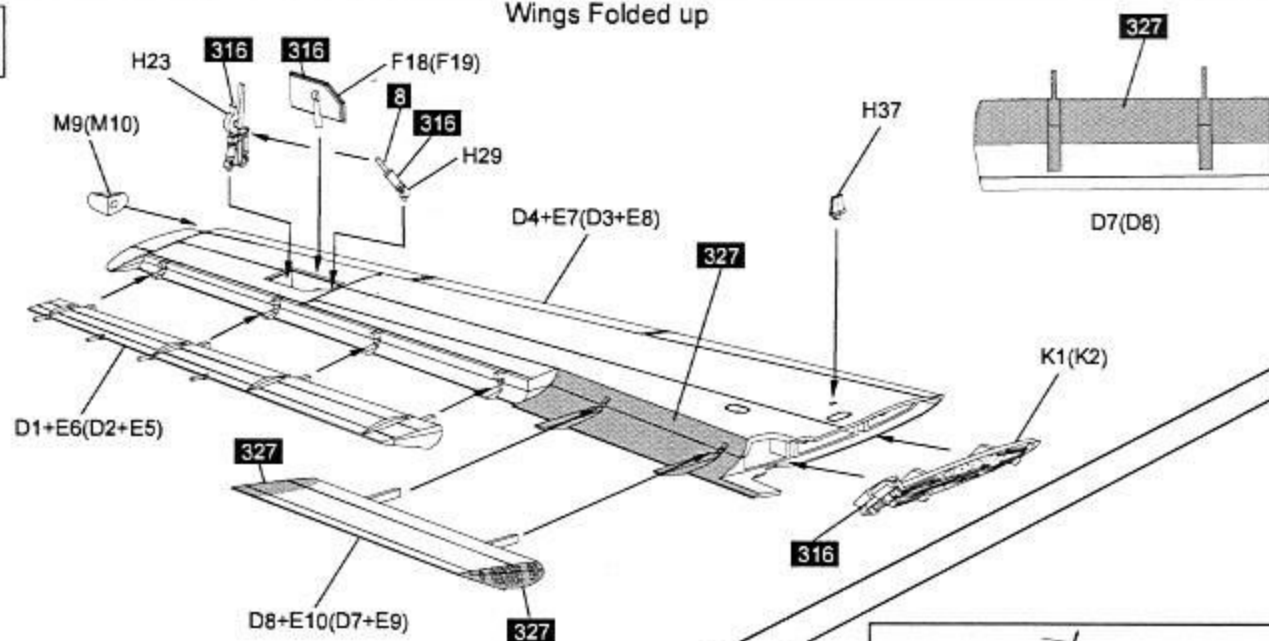
*Cut the slats when the flaps are fully retracted

11

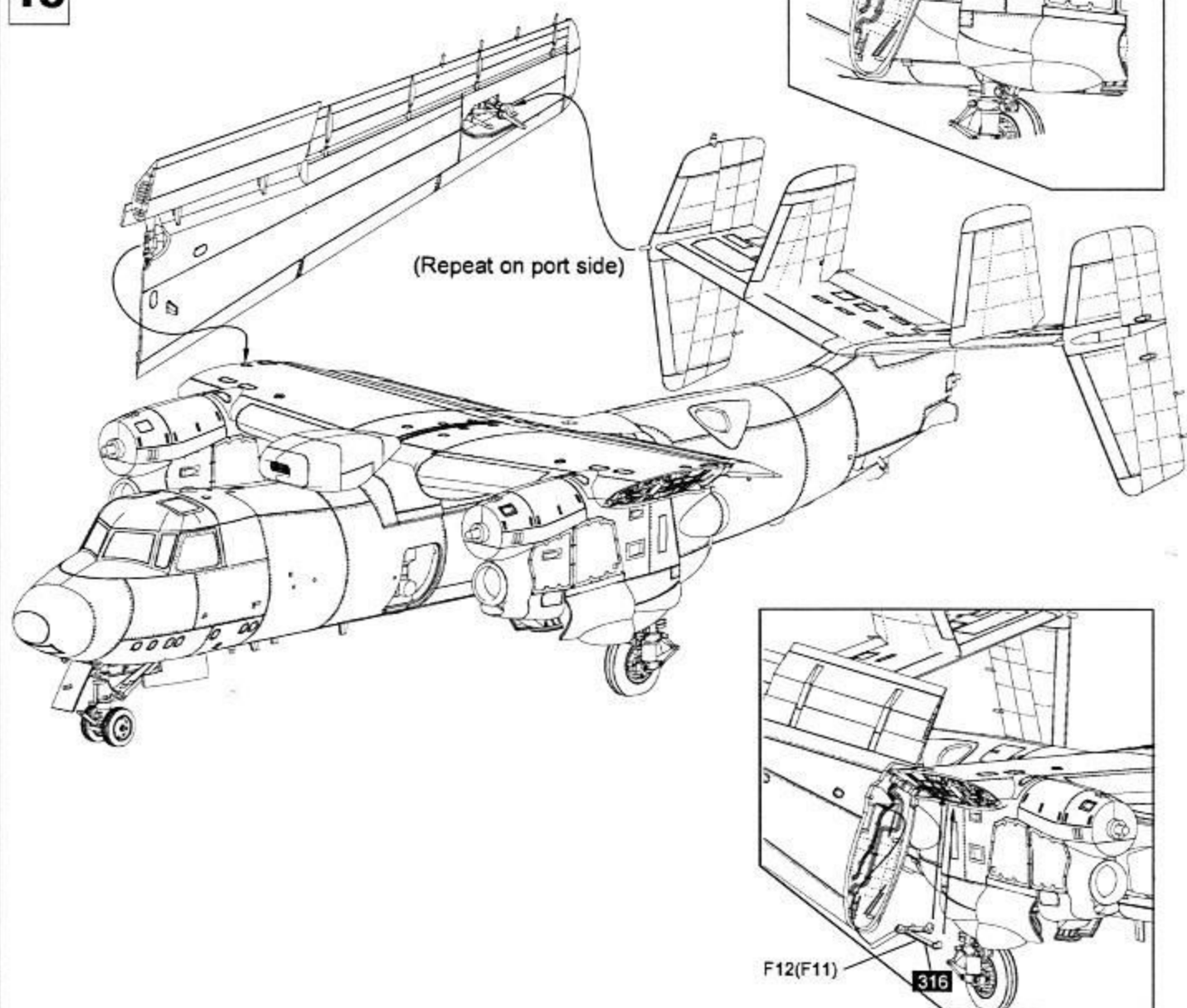


12

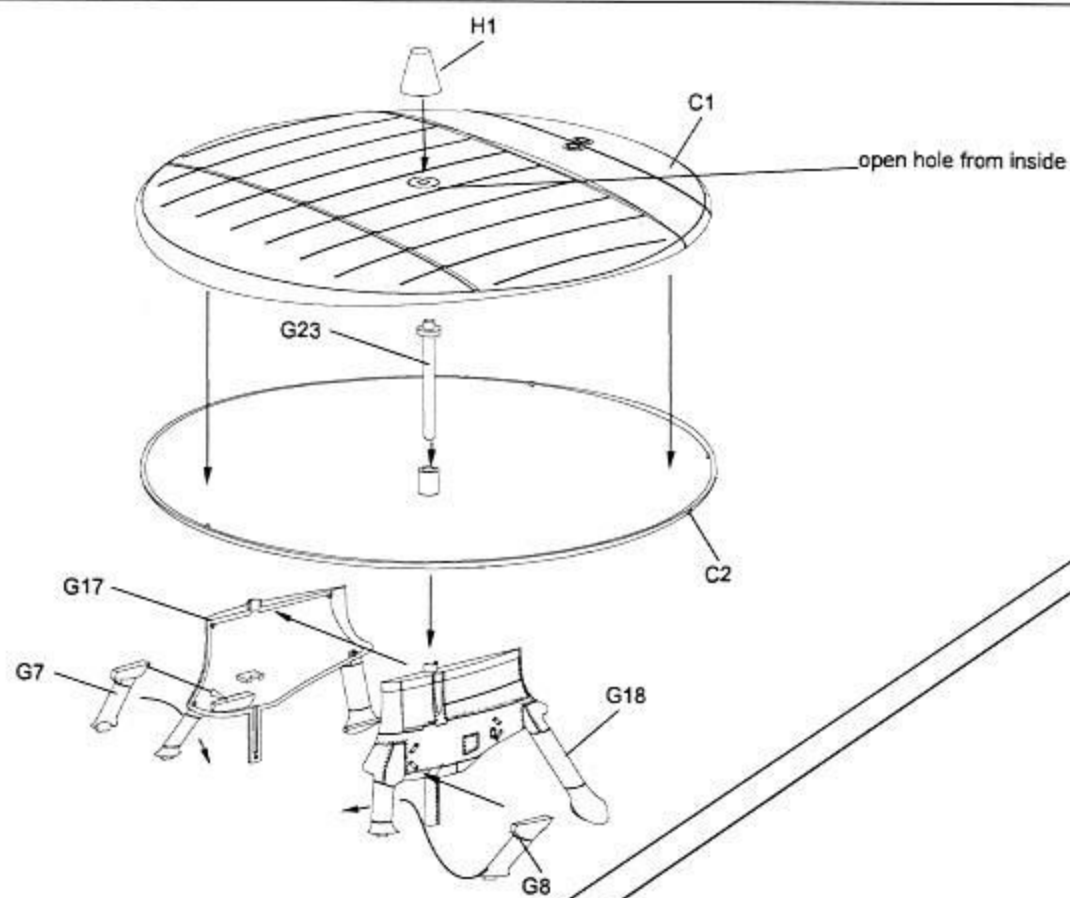
Wings Folded up



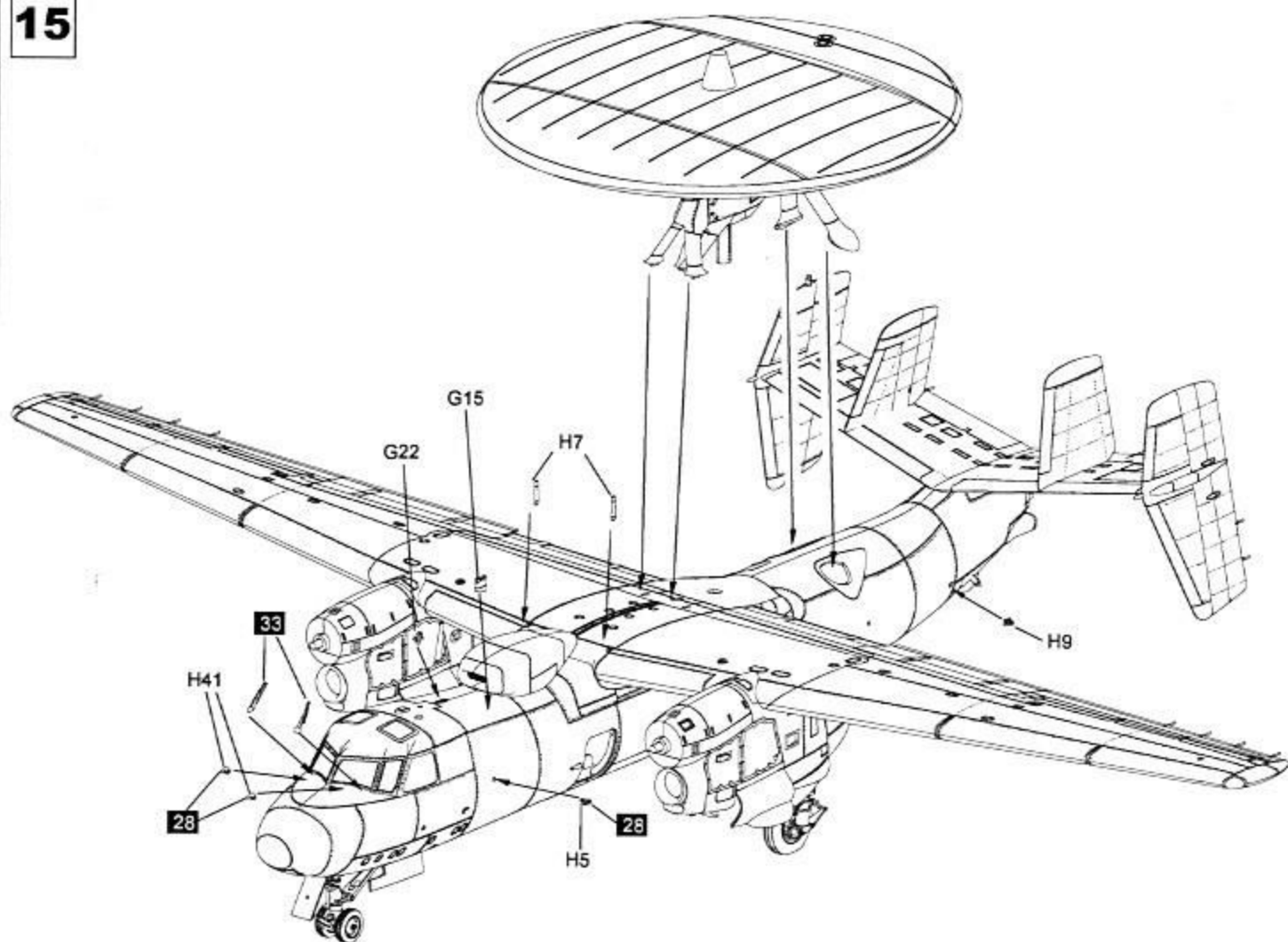
13



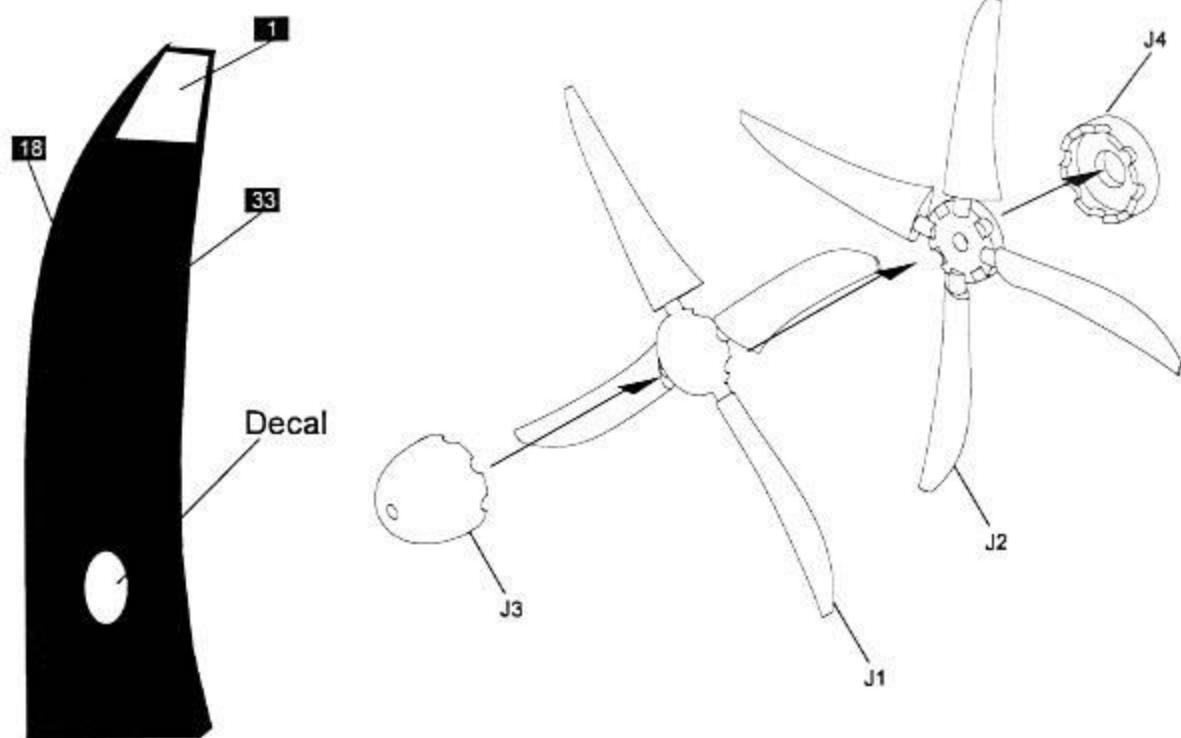
14



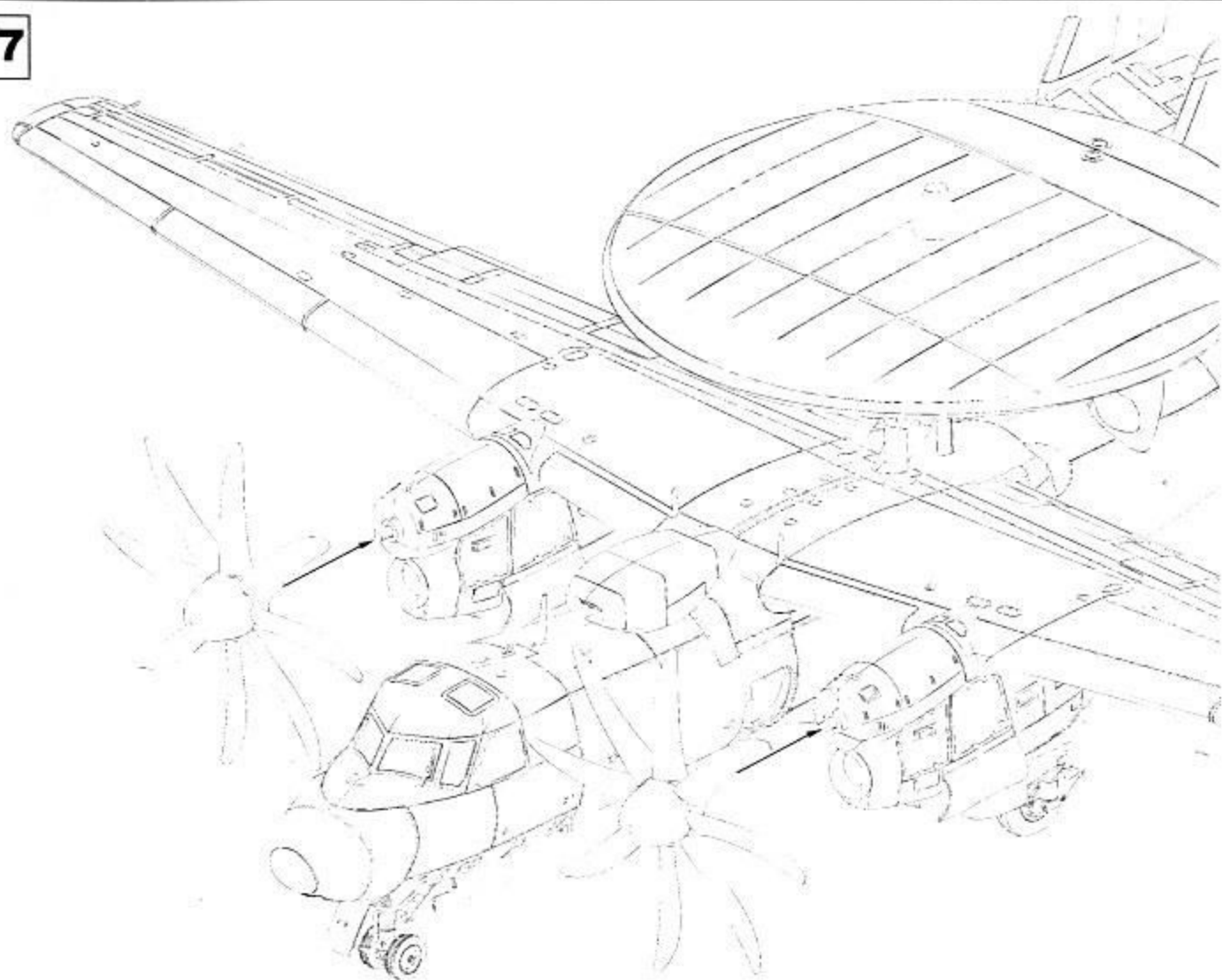
15



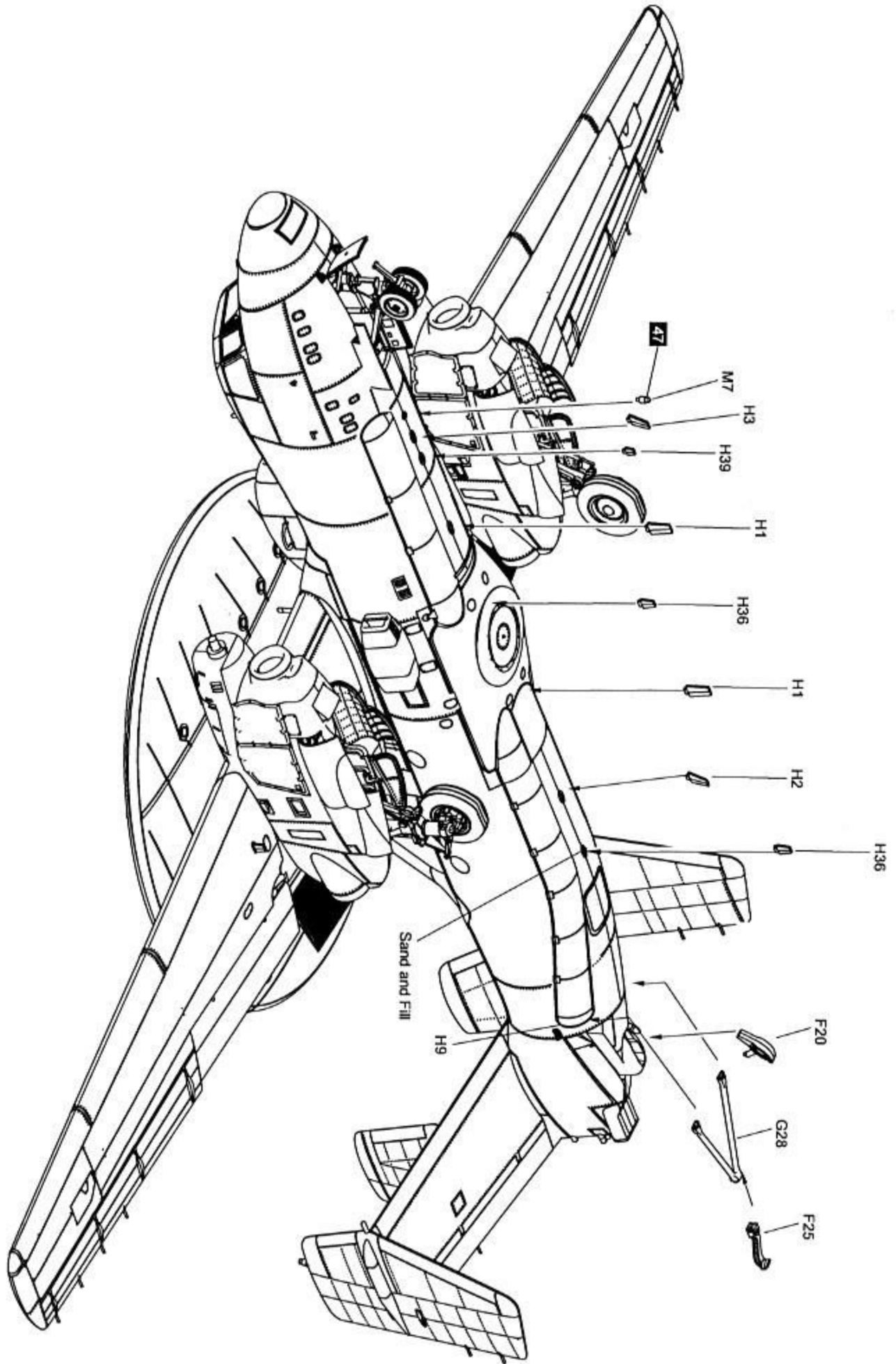
16



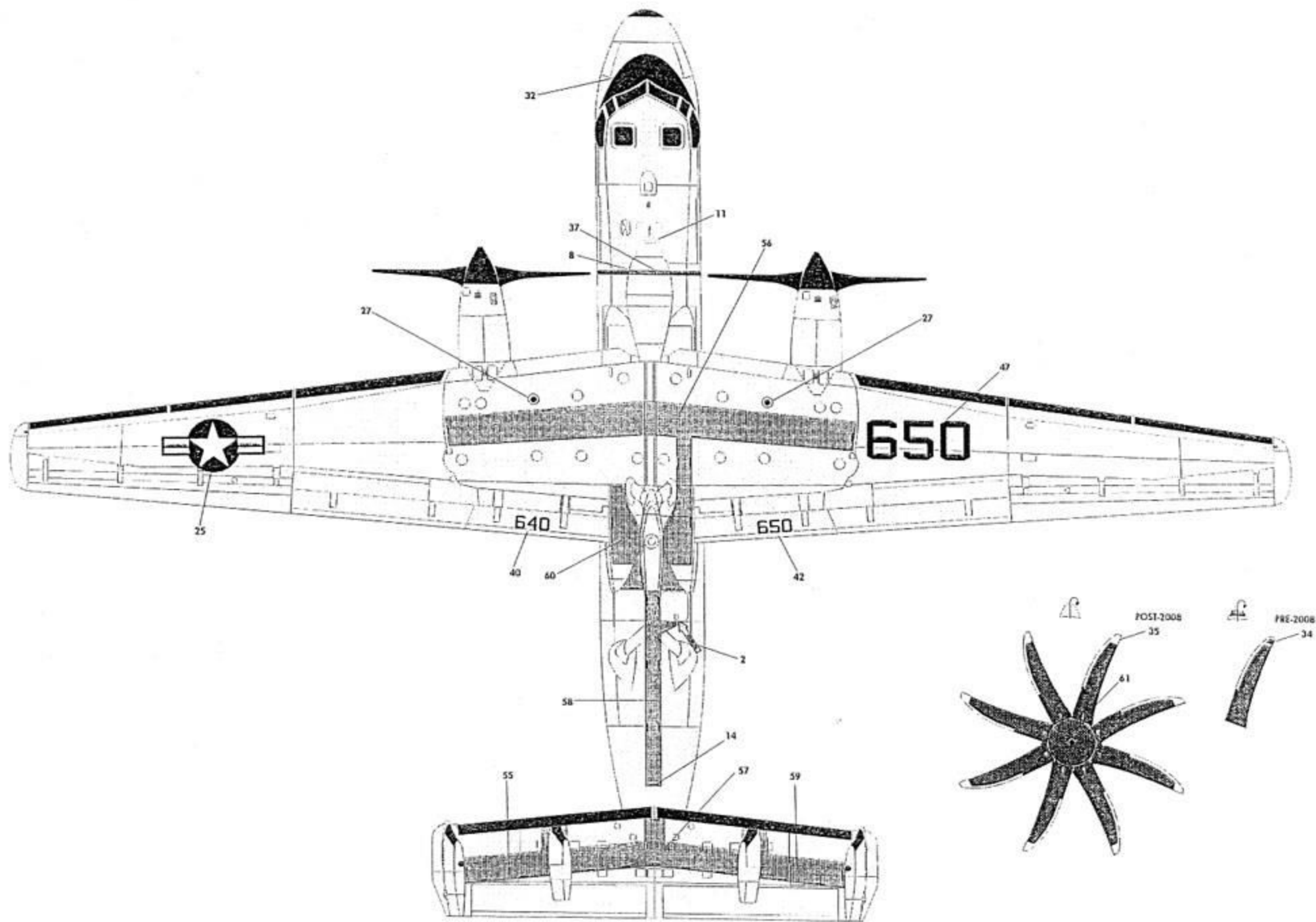
17

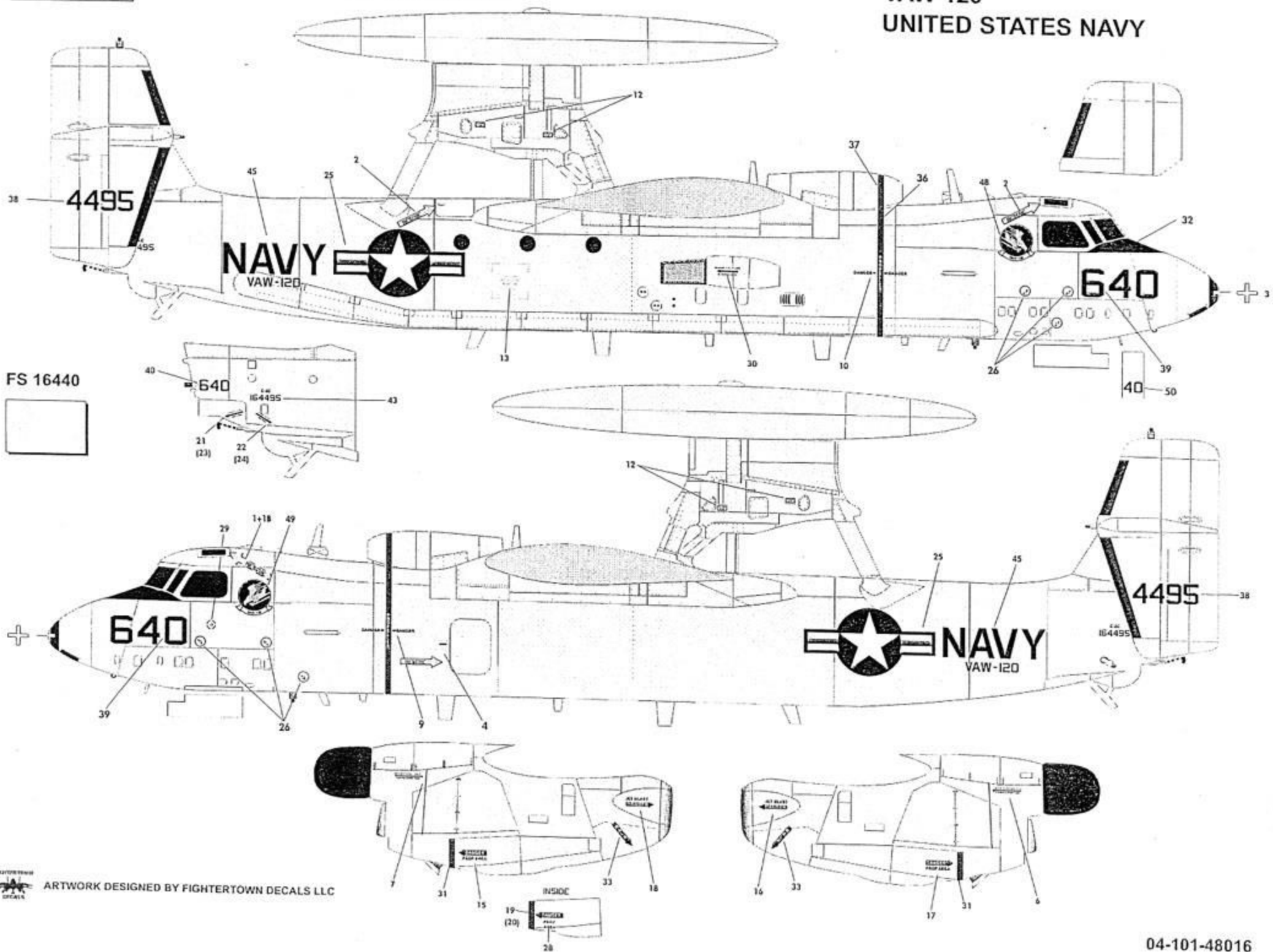


18

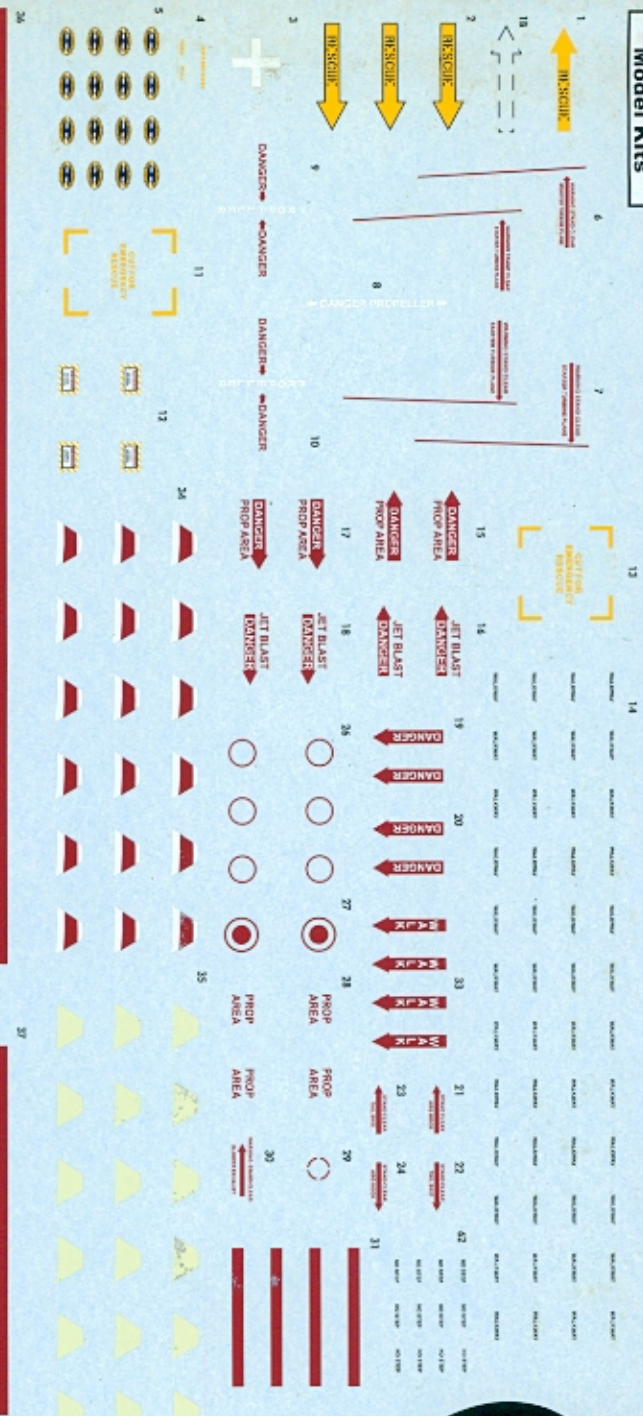


KINETIC 1/48 E-2C HAWKEYE VAW-120 US NAVY





FS 16440



44 640 640
43 640 640
38 4495 4495
39 640 640
41 650 650

45 **NAVY NAVY**
VAW-120 VAW-120
46 640 640
47 650 650
48 640 640
49 650 650
50 40 50

