



'59 CADILLAC CONVERTIBLE

KIT 2957

1:25



The 1959 Cadillac Eldorado Biarritz Convertible is one of the most incredibly flamboyant automobiles to ever make it into actual production. 1959 was the year the famous Cadillac tail fin reached its peak and what a peak it was. They were, literally, rocket-type fins on which bullet-like tail lights were mounted.

In addition to the tail fins, the '59 Cadillac features an extreme wraparound windshield, radical body styling, and tons of chrome, including a false grille on the rear end. The Eldorado Biarritz came standard with air suspension, cruise control, power windows and seats, guide-matic headlamp beam control, power door locks, automatic finger-touch-tuned two-speaker radio, electrically operated antenna, heater, and defroster.

The '59 Eldorado, being a large car (wheel base 130 inches), made the engineers decide that some extra power was called for. The Cadillac V-8 was bored out to 390 cubic inches and the horsepower rating raised to 345 hp. with the addition of three two-barrel carburetors.

The Cadillac Eldorado Biarritz Convertible, also known as a series 64, had a list price of \$7,400. 1,320 of this model were sold.

MONOGRAM MODELS, INC. Des Plaines, IL

Copyright © 1992 All rights reserved. Made in U.S.A.

2957M0200

READ THIS BEFORE YOU BEGIN

- Study the assembly drawings
- Each plastic part is identified by a number
- Model may be painted to match photos on box
- Allow paint to dry thoroughly before handling parts
- For better paint and decal adhesion, wash the plastic parts in a mild detergent solution. Rinse and let air dry
- In the assembly drawings, some parts will be marked by a star (*) to indicate plated plastic.

ALLGEMEINE HINWEISE

- Die Anordnung der Bauteile ist aus den Zeichnungen der Anleitung ersichtlich.
- Jedes Plastikteil ist durch eine Nummer gekennzeichnet.
- Man kann das Modell nach den Fotos auf der Schachtel anstreichen.
- Bemalte Teile vor der Weiterverwendung gut trocknen lassen.
- Damit die Farbe und die Abziehbilder besser kleben, sind die Plastikteile in einer milden Seifenlauge zu waschen. Dann abspülen und an der Luft trocknen lassen.
- Beschichtete Teile sind in den Zeichnungen mit einem Stern (*) bezeichnet.

LEA ESTO ANTES DE EMPEZAR

- Estude los dibujos de ensamble.
- Cada pieza de plástico se identifica por un número

- El modelo puede pintarse de acuerdo con las fotografías de la caja.
- Permítase que se seque la pintura completamente antes de tocar las piezas.
- Para una mejor fijación de la pintura y de las calcomanías, lávase las piezas plásticas en una solución de detergente suave. Enjuáguese y déjese secar al aire.
- En los dibujos de ensamble, algunos números de las piezas están marcados con una estrella (*) para indicar plástico laminado.

LISEZ CE QUI SUIT AVANT DE COMMENCER LE MONTAGE

- Etudier les schémas d'assemblage
- Chaque pièce plastique porte un numéro d'identification
- Le modèle peut être peint conformément aux photos sur la boîte.
- Laissez sécher la peinture complètement, avant de manipuler les pièces.
- Pour assurer la meilleure adhésion possible de la peinture et des décalcomanies, laver les pièces de plastique avec une légère solution savonneuse. Rincer et laisser sécher à l'air.
- Sur les schémas d'assemblage, les pièces dont le numéro comporte une astérisque (*) sont en plastique chromé.



REMOVE AND THROW AWAY
ENTFERNEN (ABFALL)
QUITE Y TIRER
VERWURDEN EN WEGDOELEN
À RETIRER ET JETER
AVLAGNAS OCH MAKULERAS
RIMOVUJ ED ELIMINA



DO NOT CEMENT
NICHT KLEBEN
NO USE PEGAMENTO
NIET LIJMEN
NE PAS COLLER
LIMMAS INTE
NON INCOLLARE



APPLY STICK-ON DECALS
DIE AUFKLEBER ANFESTIGEN
APPLIQUEZ LES AUTO-COLLANTS
APLIQUE LAS CALCOMANIAS ENGOMADAS
PLAK DE ZELKLEVENDE STICKERS
SATT FAST STICK-ON-DEKALERNA
APPLICARE GLI ADESIVI



REPEAT SEVERAL TIMES
ARBEITSGANG MEHRMALS WIEDERHOLEN
REPETA VARIAS VECES
ENIGE KEËER HERHALEN
À RÉPÉTER PLUSIEURS FOIS
ARBEITSMOMENT SOM UPPREPAS
RIPETI DIVERSE VOLTE

GLOSS BLACK	NOIR LUSTRE	GLÄNZENDES SCHWARZ	NEGRO BRILLANTE
GRAY	GRIS	GRAU	GRIS
SATIN BLACK	NOIR MAT	HALBGLÄNZENDES SCHWARZ	NEGRO MATE
GOLD	DORE	GOLD	DORADO
DARK BLUE	BLEU FONCE	DUNKELBLAU	AZUL OSCURO
ALUMINUM	ALUMINIUM	ALUMINIUMFARBEN	ALUMINIO
WHITE	BLANC	WEISS	BLANCO
FLAT BLACK	NOIR TERNE	GLANZLOSES SCHWARZ	NEGRO APAGADO
STEEL	METALLIC	METALLIC	METALICO

If you have any problems building this model, call our modeling tips hotline at: **(800) 833-3570**

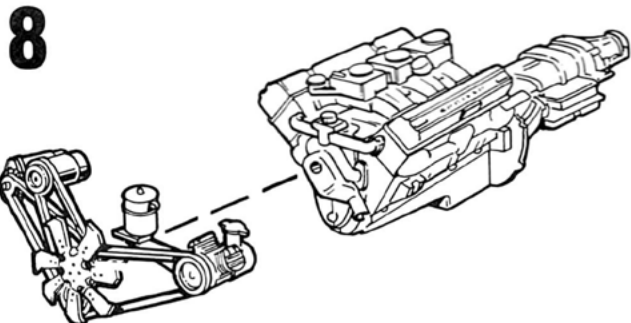
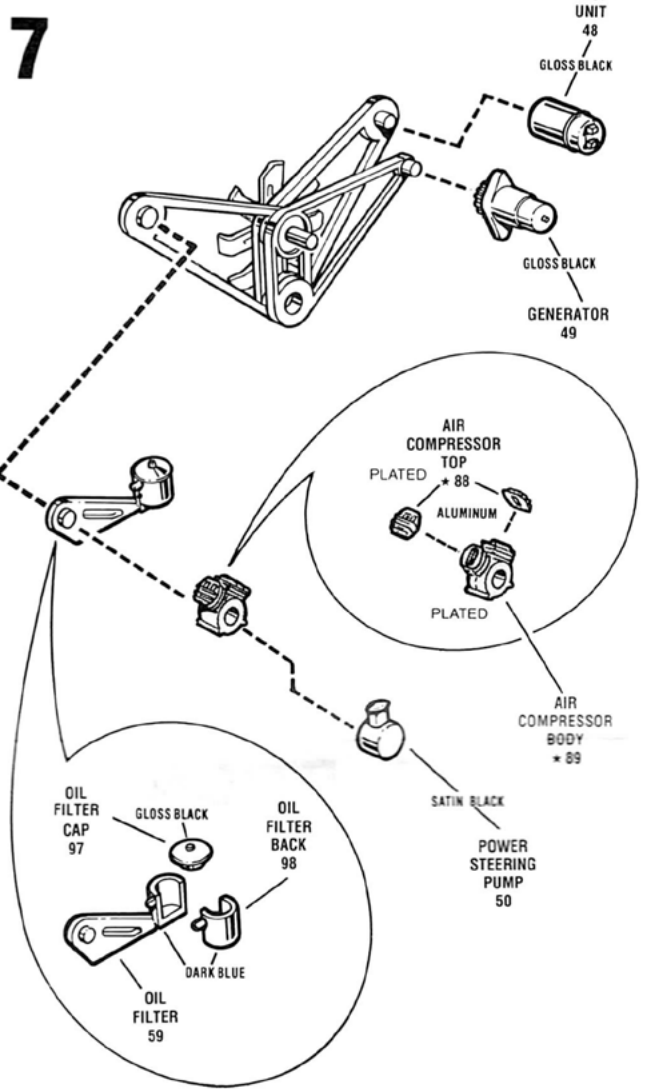
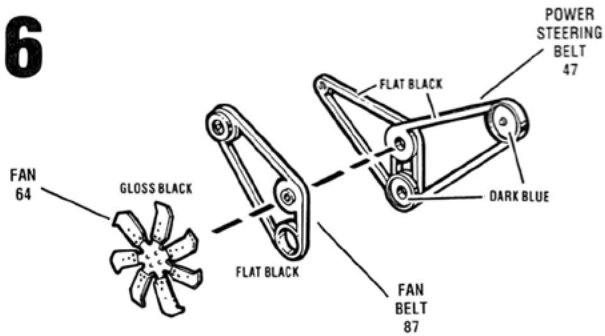
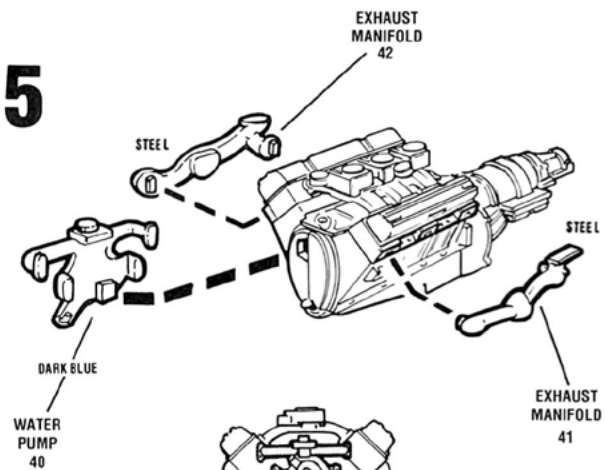
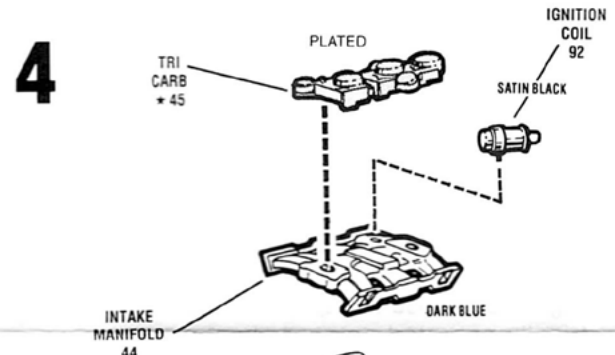
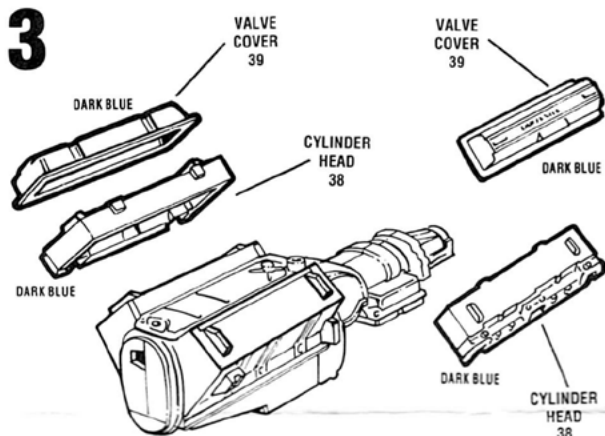
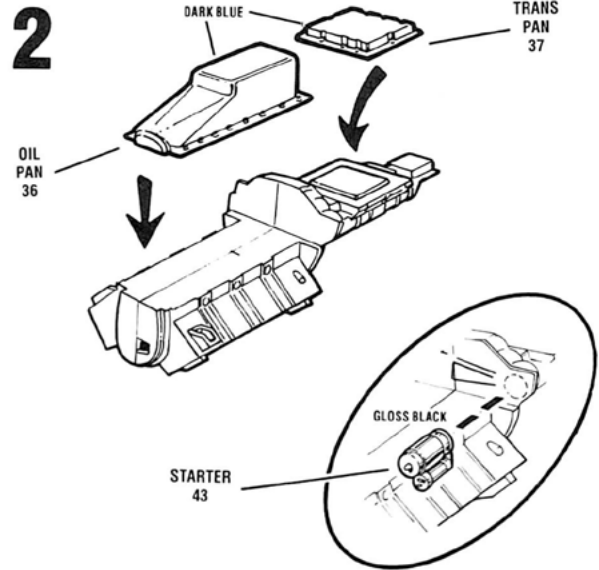
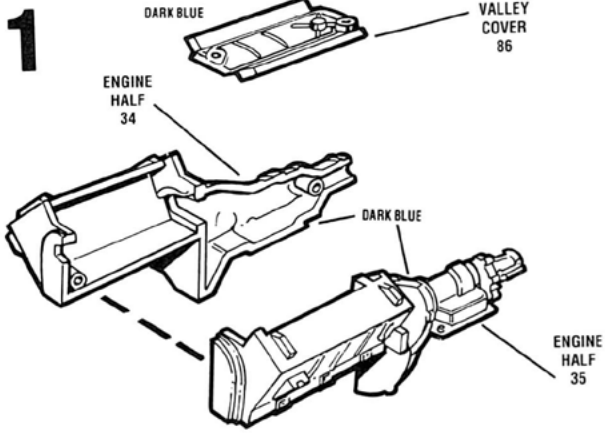
Every effort has been made to create and manufacture a model kit that is the finest available. If a part may be missing, please write to:

Monogram Models, Incorporated
Consumer Service Department
395 North Third Avenue
Des Plaines, Illinois 60016



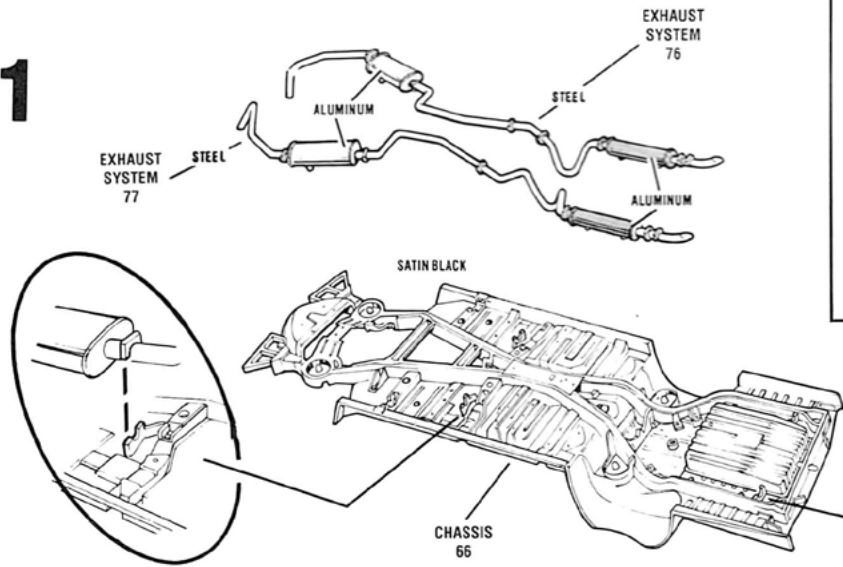
Be sure to include the kit number, part number, description, and your return address.

ENGINE ASSEMBLY

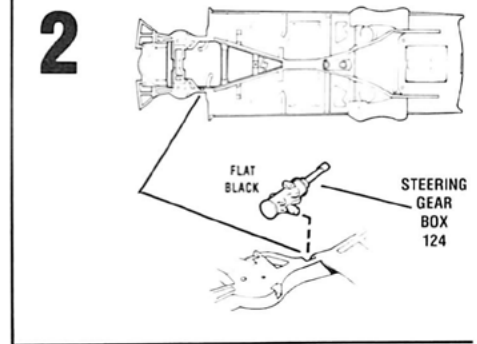


CHASSIS

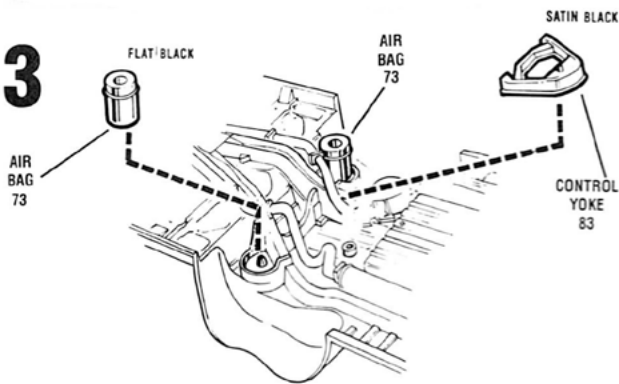
1



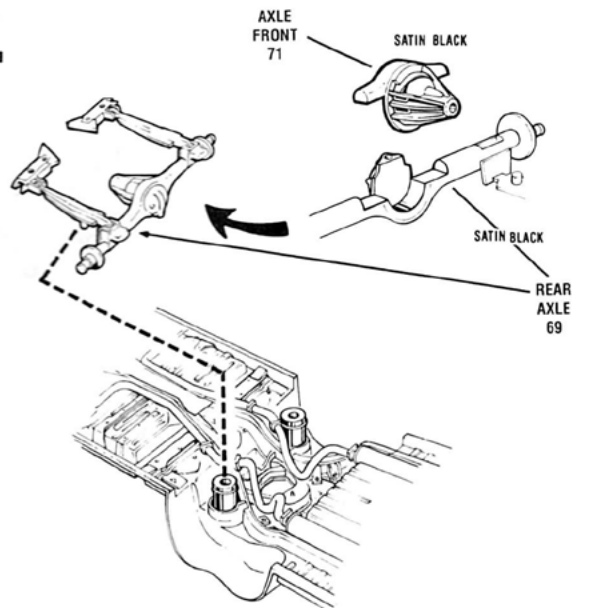
2



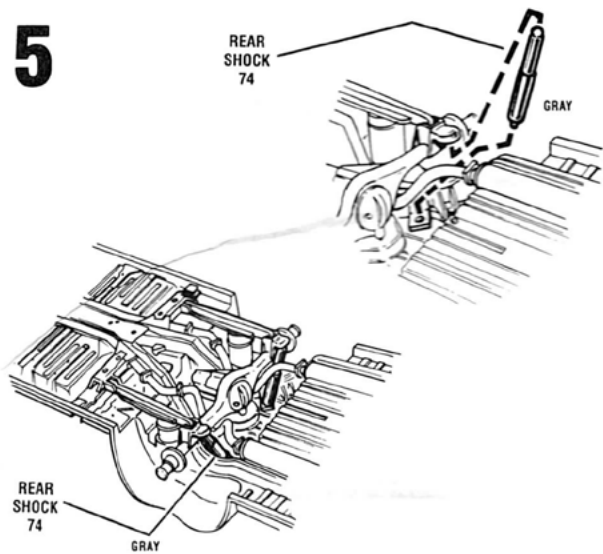
3



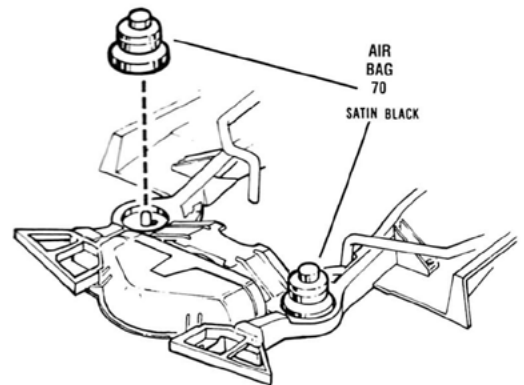
4



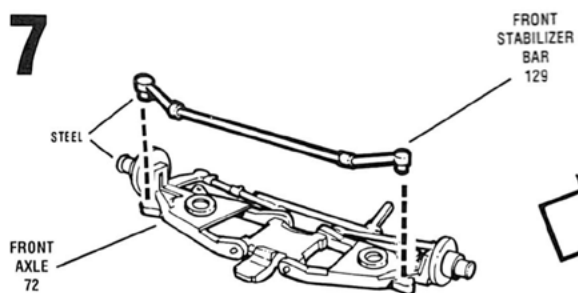
5



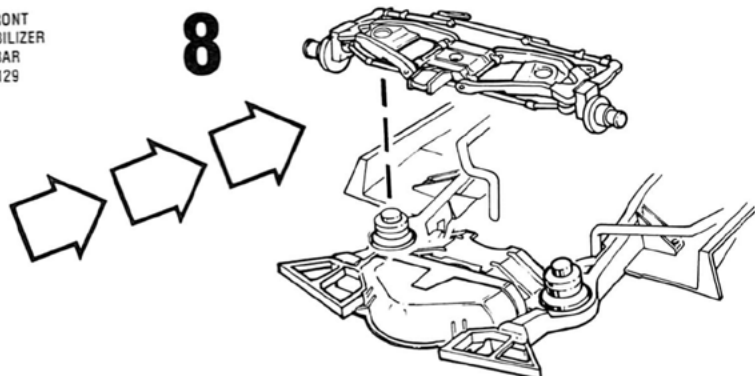
6



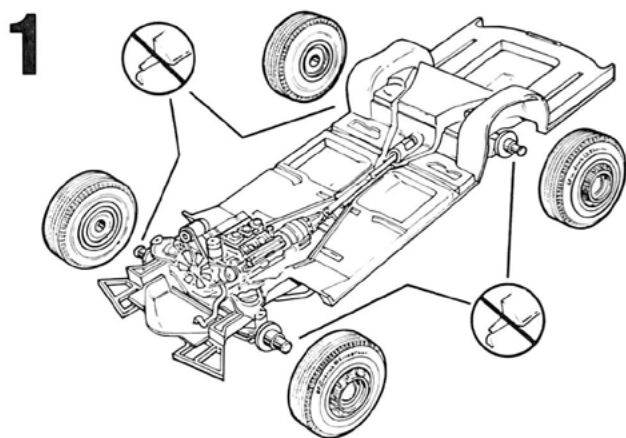
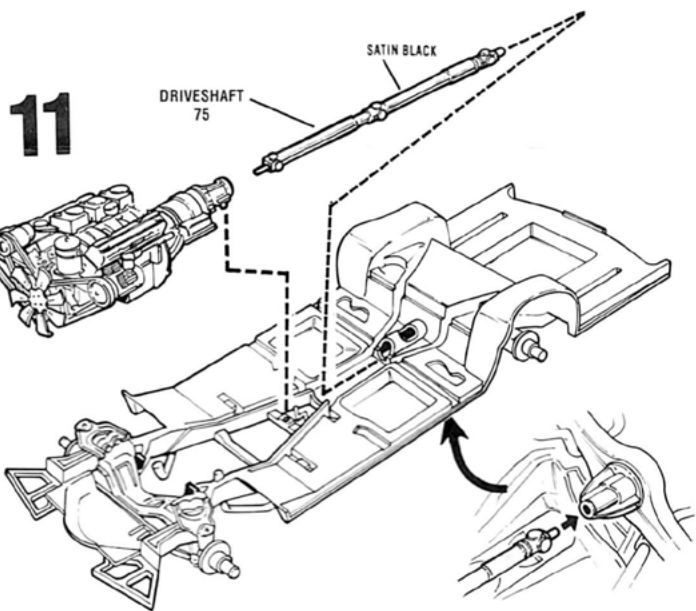
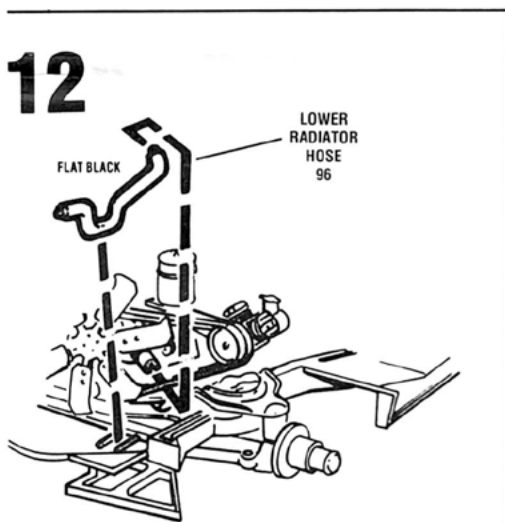
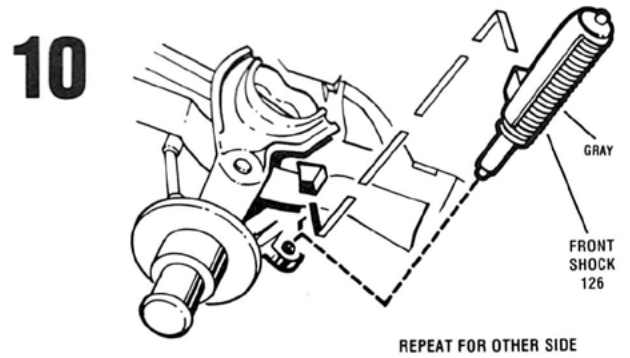
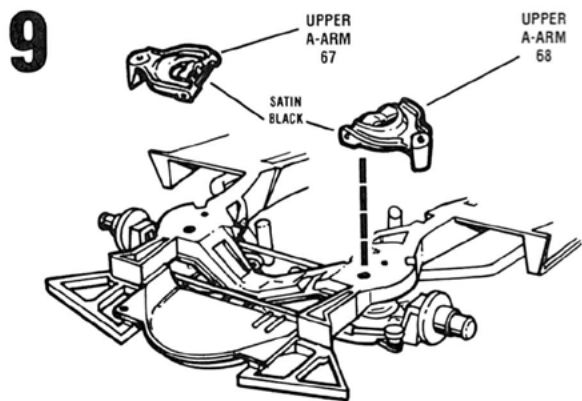
7



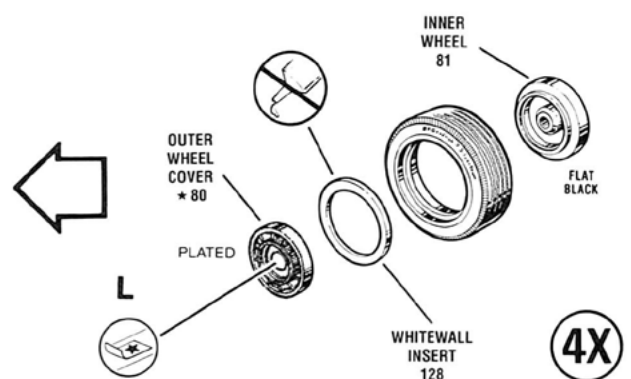
8



CHASSIS (...Continued)

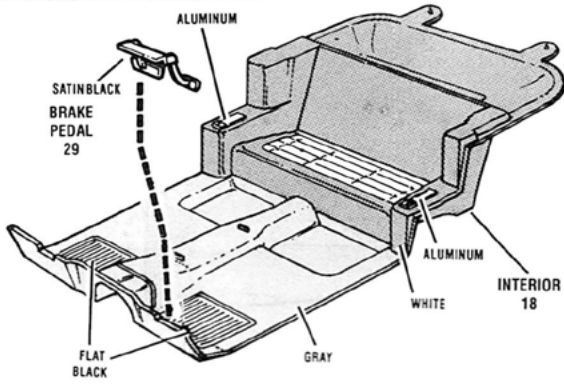


TIRES-WHEELS

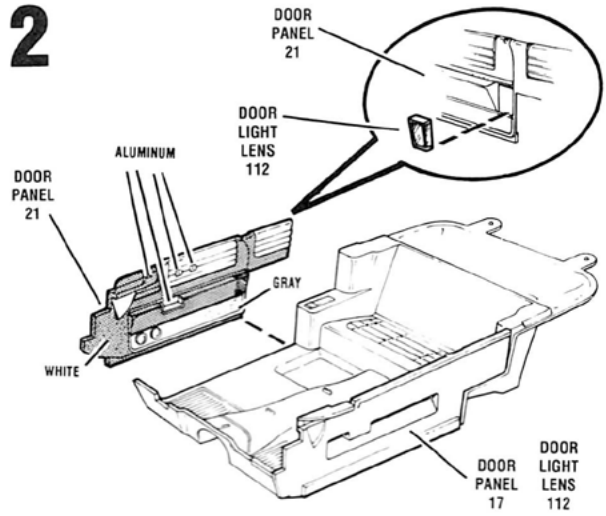


INTERIOR

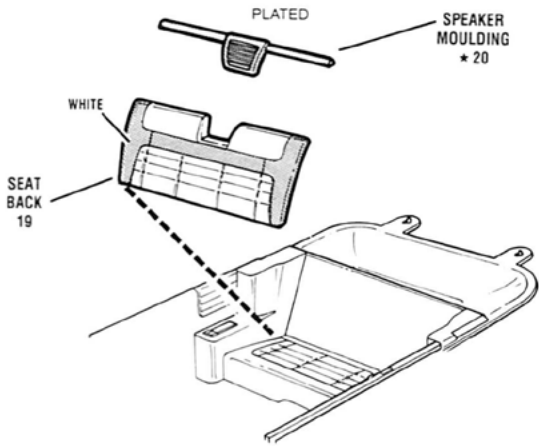
1



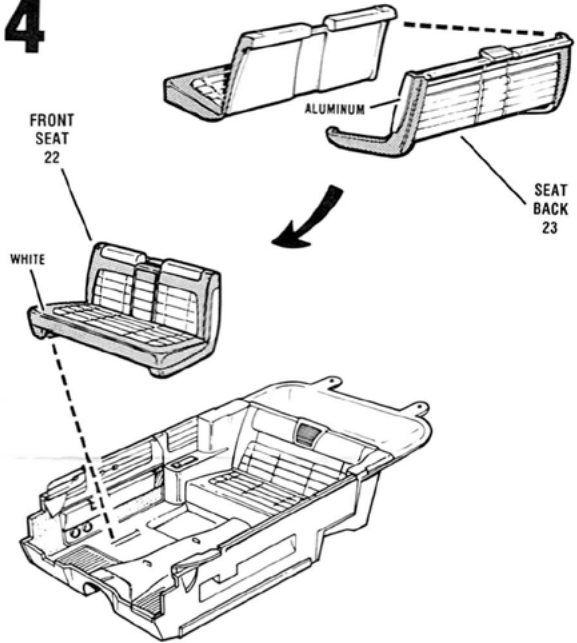
2



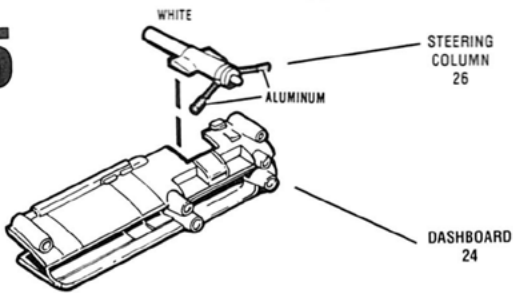
3



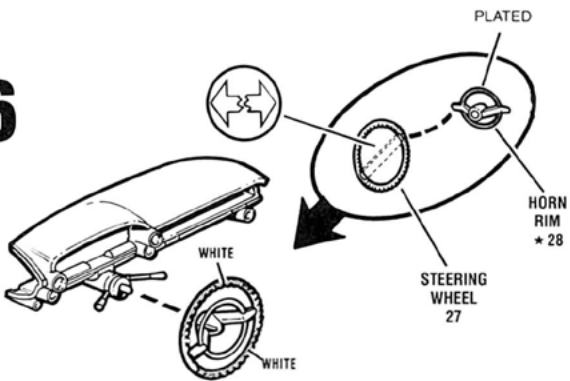
4



5

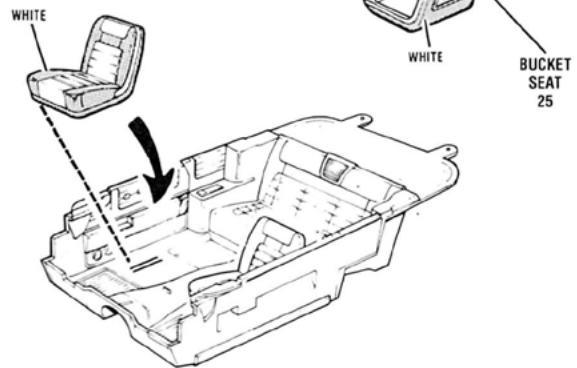


6

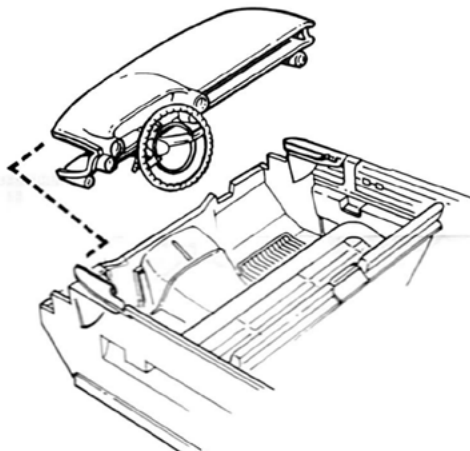


SEAT FRONT 130

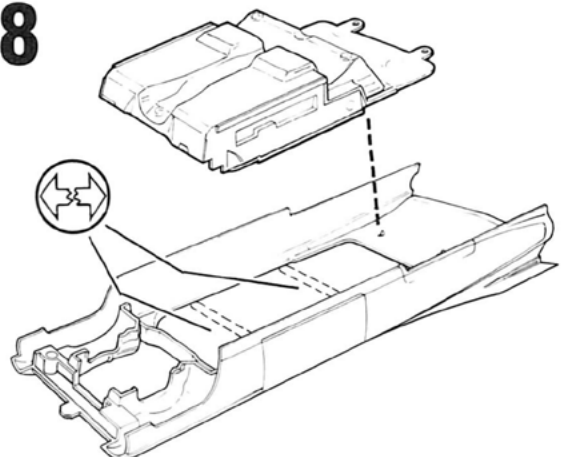
2X



7

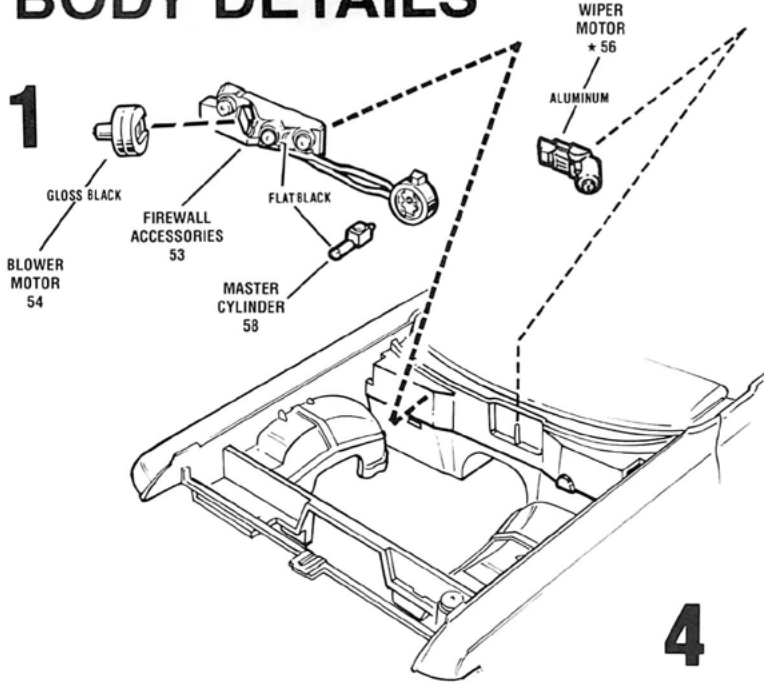


8

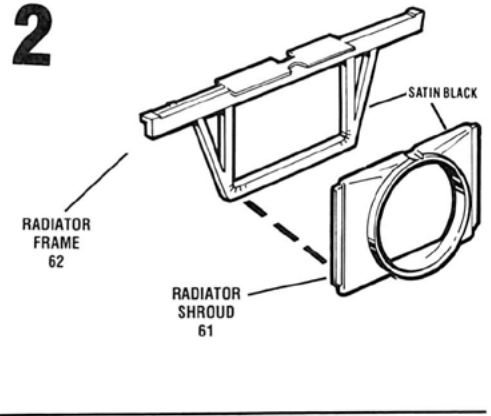


BODY DETAILS

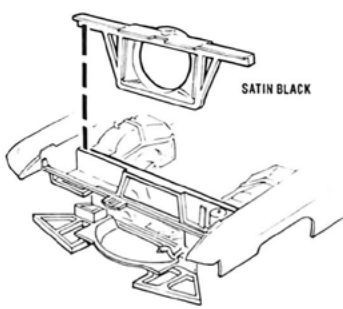
1



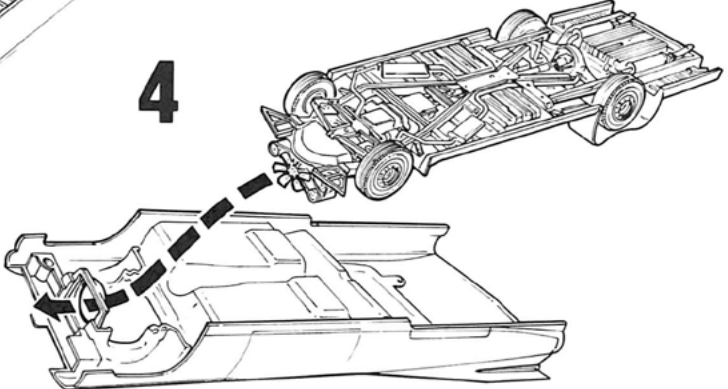
2



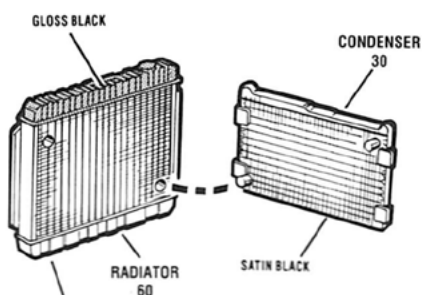
3



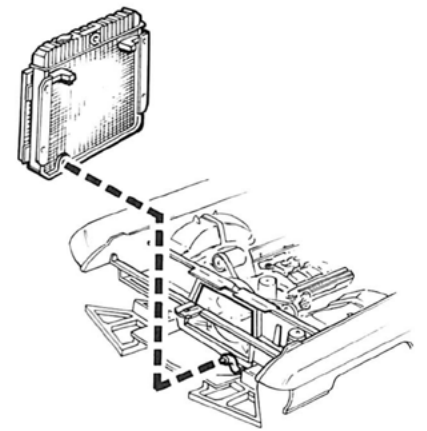
4



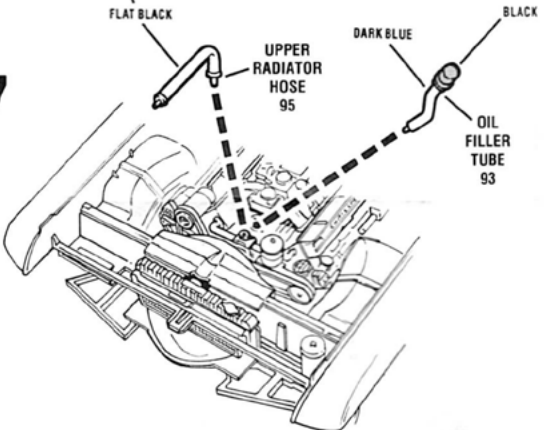
5



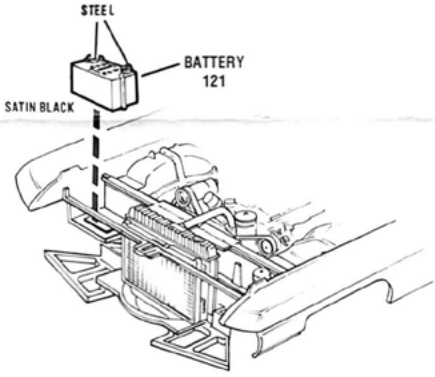
6



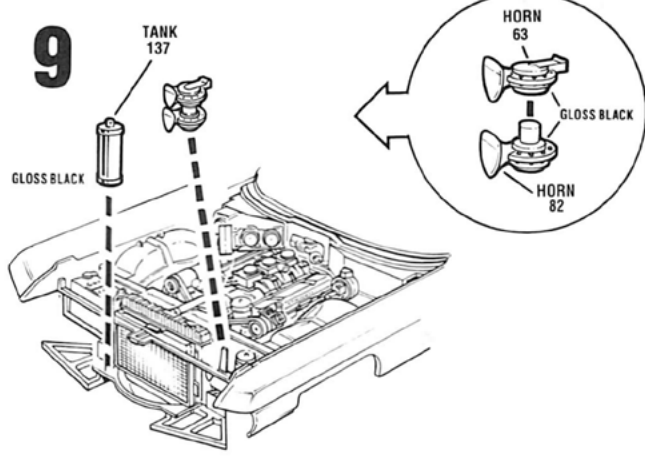
7



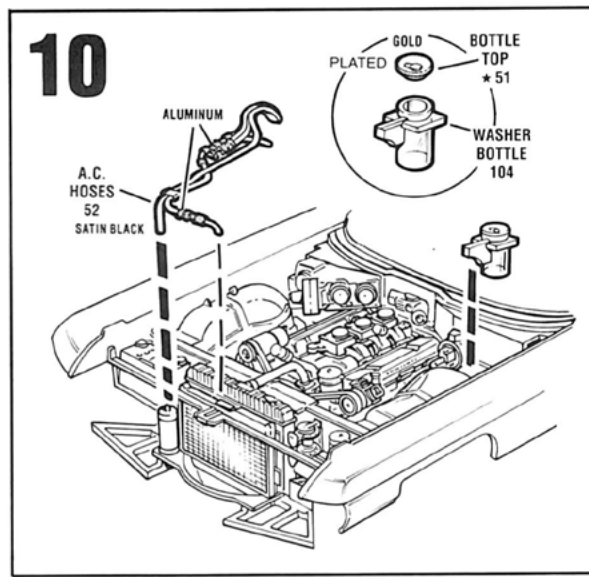
8



9

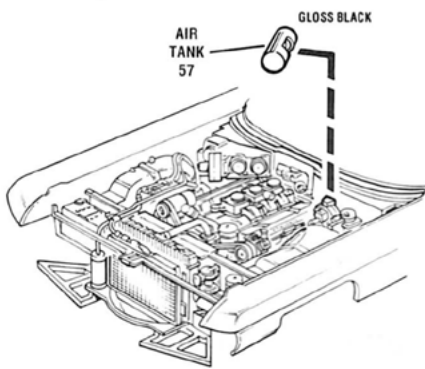


10

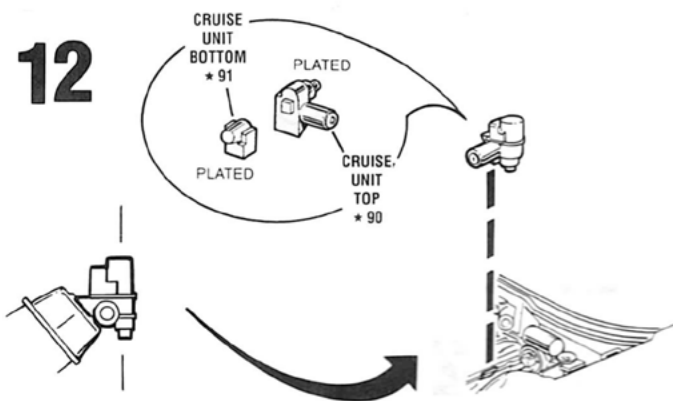


BODY DETAILS (...Continued)

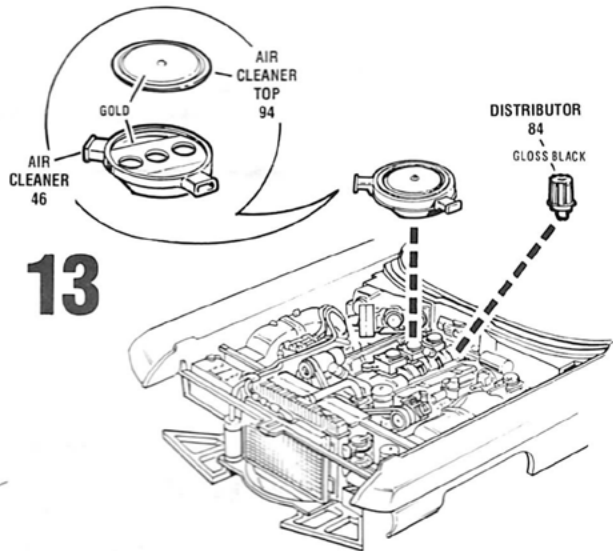
11



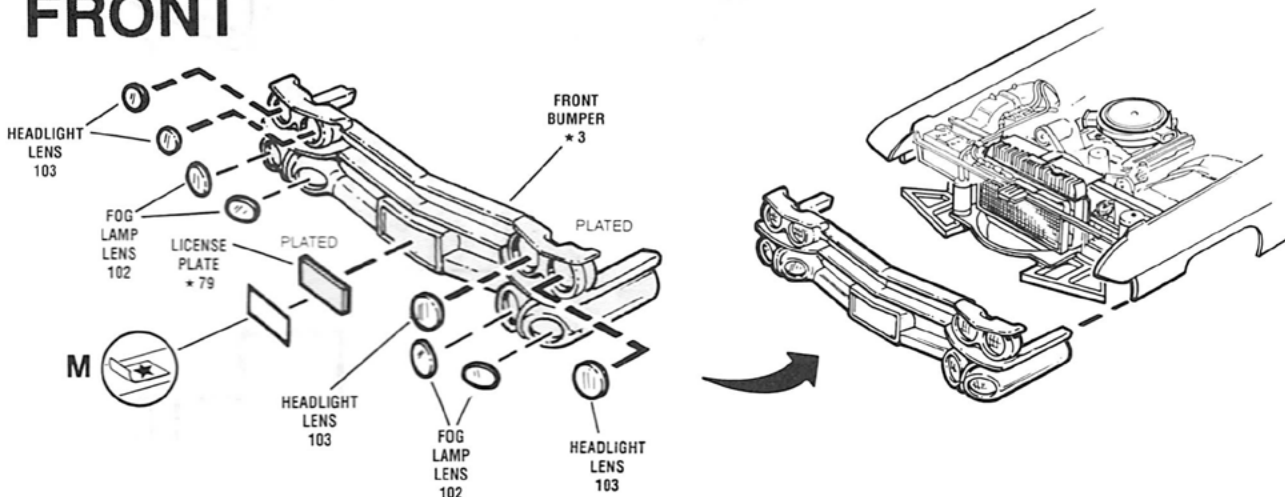
12



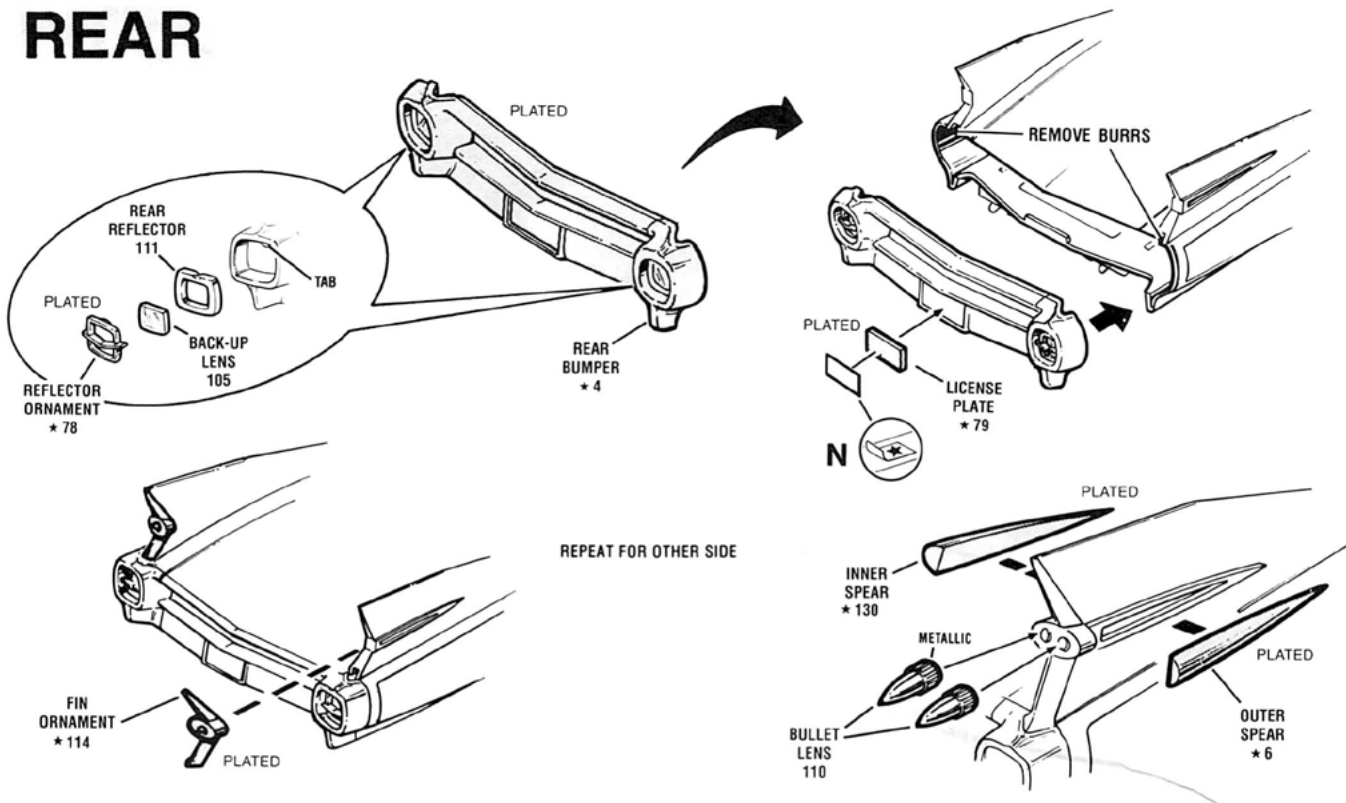
13



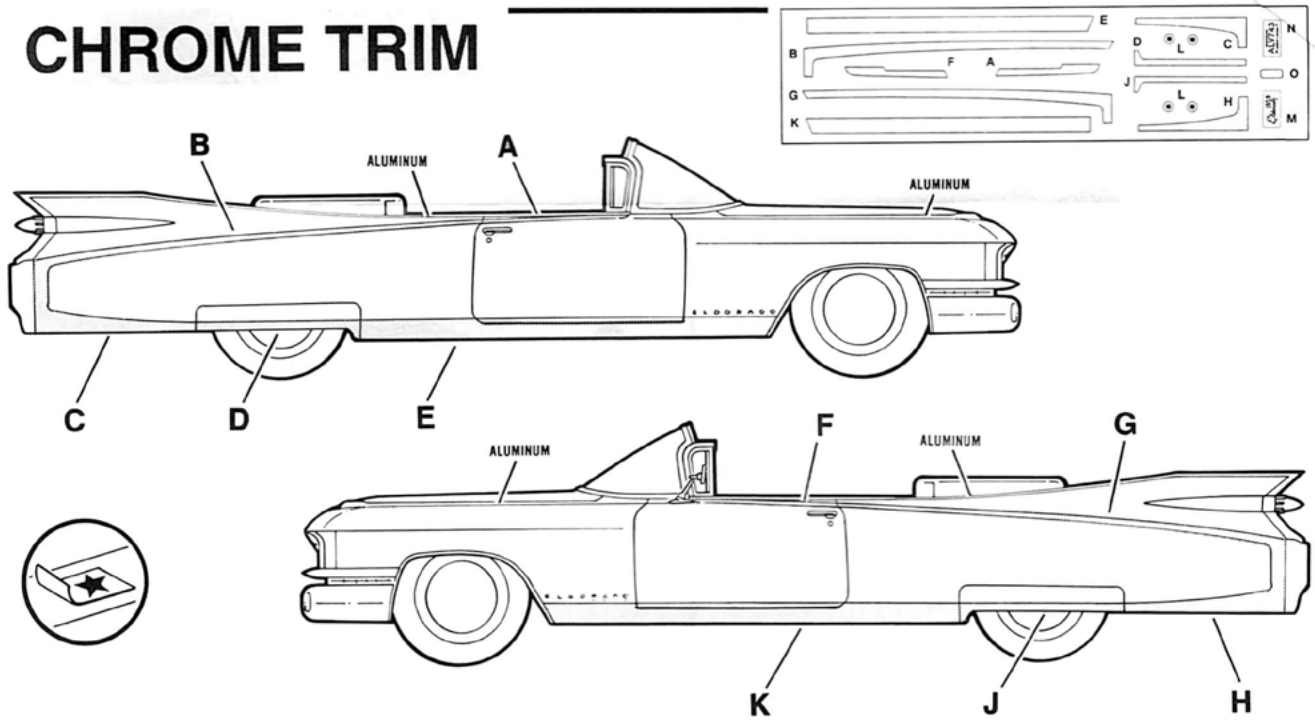
FRONT



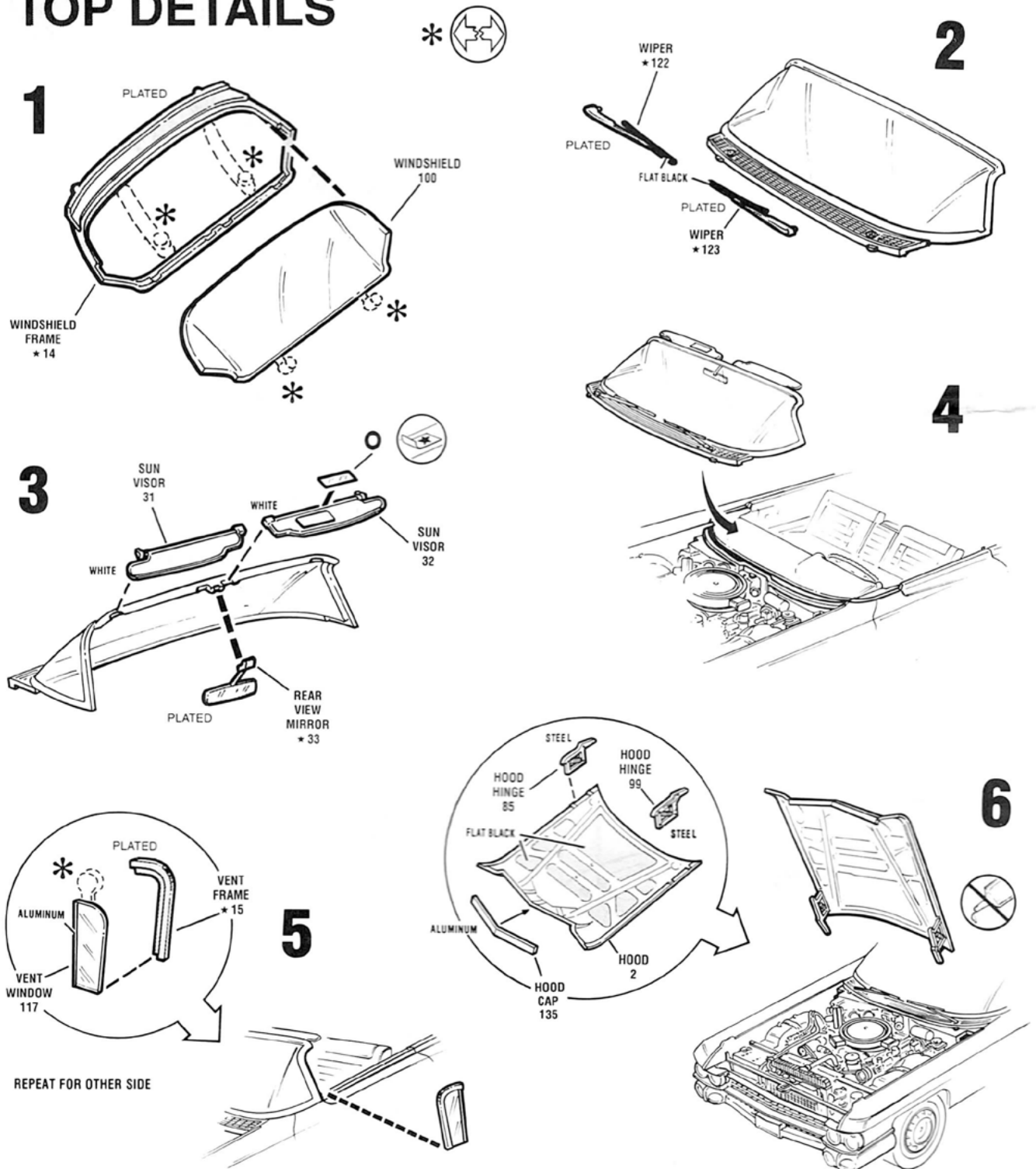
REAR



CHROME TRIM



TOP DETAILS



COMPLETION

