



FMA IA 58 Tucará

The FMA IA 58 Tucará (Quechua: Fortress) is an Argentine ground-attack and counter-insurgency (COIN) aircraft manufactured by the Fábrica Militar de Aviones. It is a low-wing twin-turboprop all-metal monoplane with retractable landing gear, capable of operating from unprepared strips when operationally required. The type saw action during the Falklands War and the Sri Lankan Civil War.

The Tucará was designed for operations from short, rough airstrips. The retractable tricycle landing gear, with a single nosewheel and twin mainwheels retracting into the engine nacelles, is fitted with low pressure tyres to suit operations on rough ground, while the undercarriage legs are tall to give good clearance for underslung weapons loads. Three JATO rockets can be fitted under the fuselage to allow extra short takeoffs. Fuel is fed from two fuselage tanks of combined capacity of 800 L (180 imp gal; 210 US gal) and two self-sealing tanks of 460 L (100 imp gal; 120 US gal) in the wings. The undercarriage, flaps and brakes are operated hydraulically, with no pneumatic systems. The spring suspension system is like the one used in the Junkers Ju 88, while the tail has a T configuration to improve take-off. Armour plating is fitted to protect the crew and engines from ground fire. The aircraft is powered by a pair of Turbomeca Astazou engines, driving sets of three-bladed Ratier-Forest 23LF propellers; the propellers are also capable of being used as air brakes.

CAUTION

- *Read carefully and fully understand the instructions before commencing assembly.
- *Keep out of reach of children. Children must not be allowed to put any parts in their mouths, or pull plastic bag over their heads.
- *When using adhesives and paints, please make sure not to use them in closed room or near the fire.
- *When assembling this kit, tools including knives are used. Extra care should be taken to avoid injury.

WARNING: CONTAIN SMALL PARTS NOT FOR CHILDREN UNDER 14 YEARS OF AGE.



Drill



Remove



2 Set



Bend



Optional



Decal



Super Glue



Fill Hole



No Cement



Be Careful

TOOLS RECOMMENDED

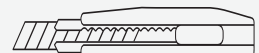
Cement



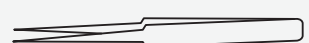
Side Cutter



Modeling Knife



Tweezers

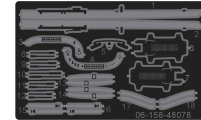


AFTERMARKET SERVICES CARD

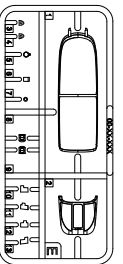
When requesting replacement parts, please take or send this form to your local dealer so that the parts required can be correctly identified. Please note that specifications and availability are subject to change without notice. Or visit <http://www.kineticmodel.com> for latest information. For more information, please contact services@kineticmodel.com

Part Code	K48089	Qty	Item
00-158-001	1/48 IA-58 FUELSAGE	1	A
00-158-002	1/48 IA-58 WINGS	1	B
00-158-003	1/48 IA-58 PROPELLER	2	C
00-158-004	1/48 IA-58 LANDING GEAR	1	D
00-158-005	1/48 IA-58 CANOPY	1	E
01-158-48078	1/48 IA-58	1	Decal
03-158-48078	1/48 IA-58 MANUAL	1	MANUAL
06-158-48078	1/48 IA-58 MANUAL PE	1	PE

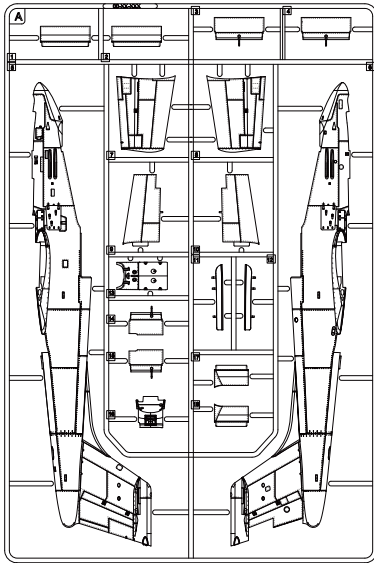
PE



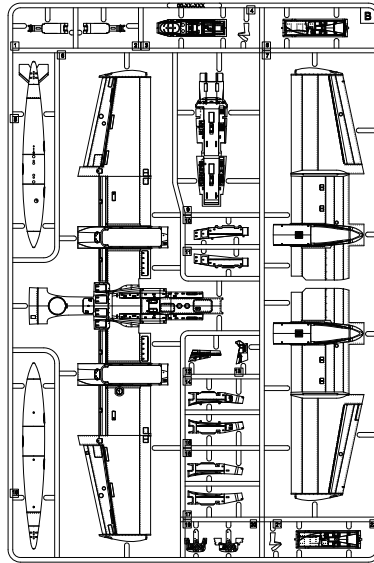
E



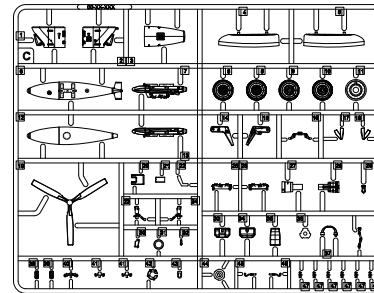
A



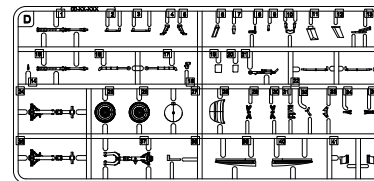
B



Cx2

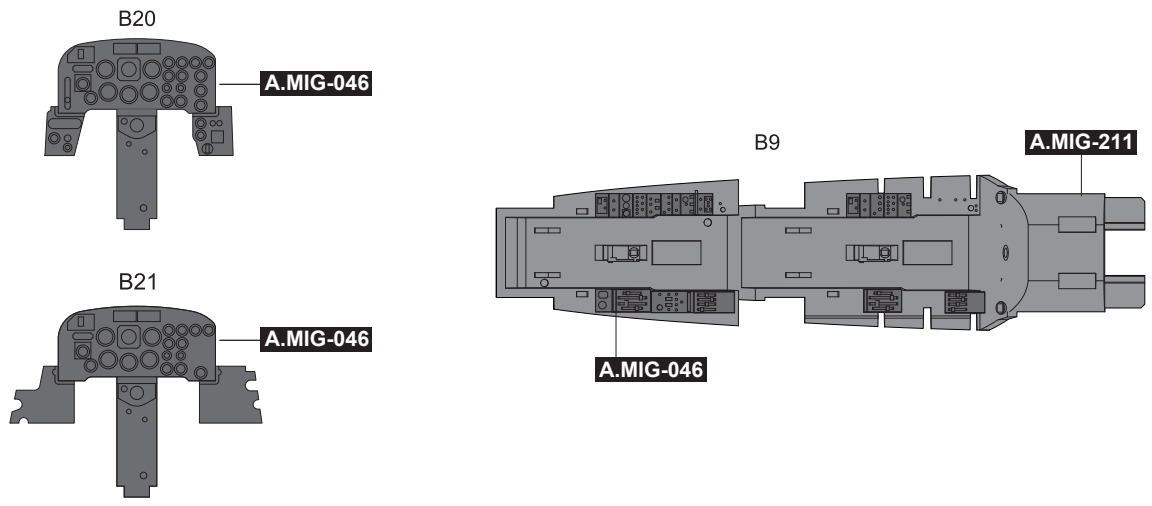
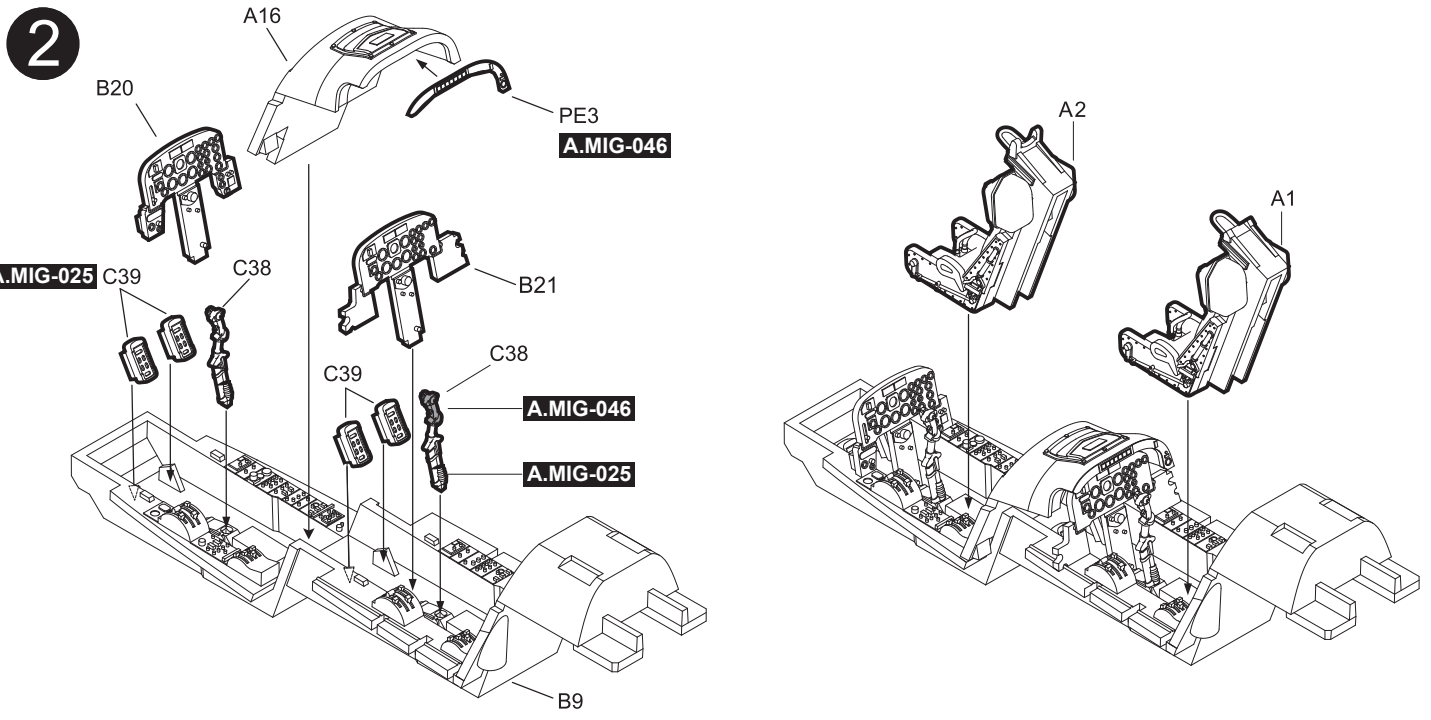
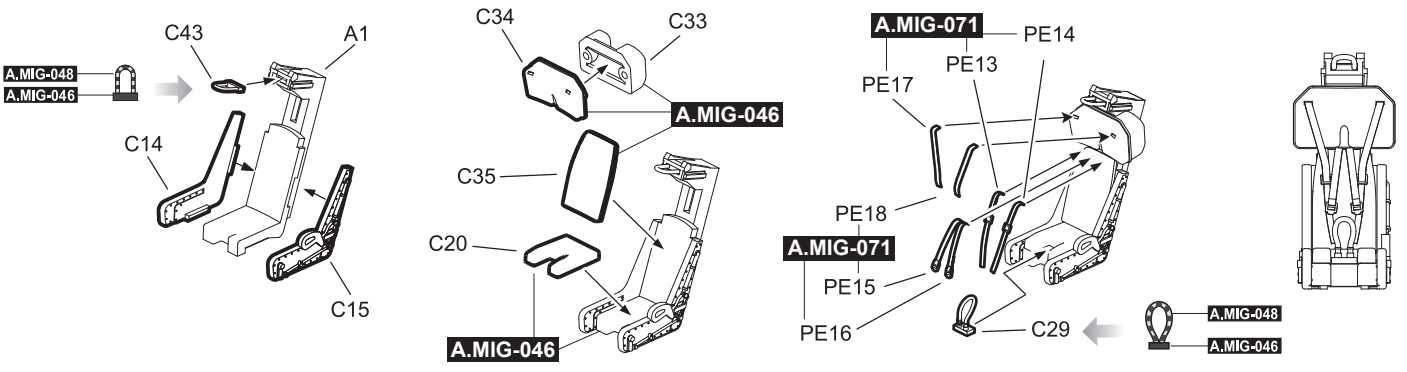
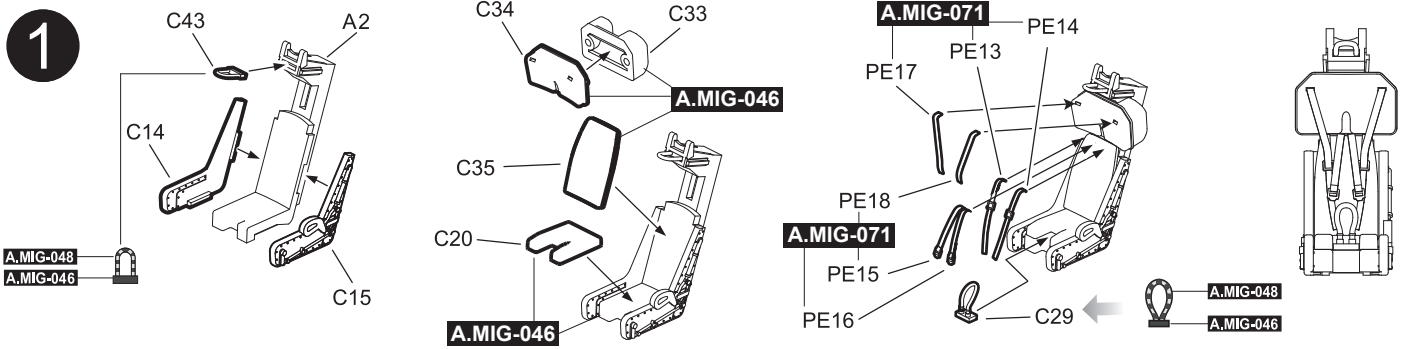


D

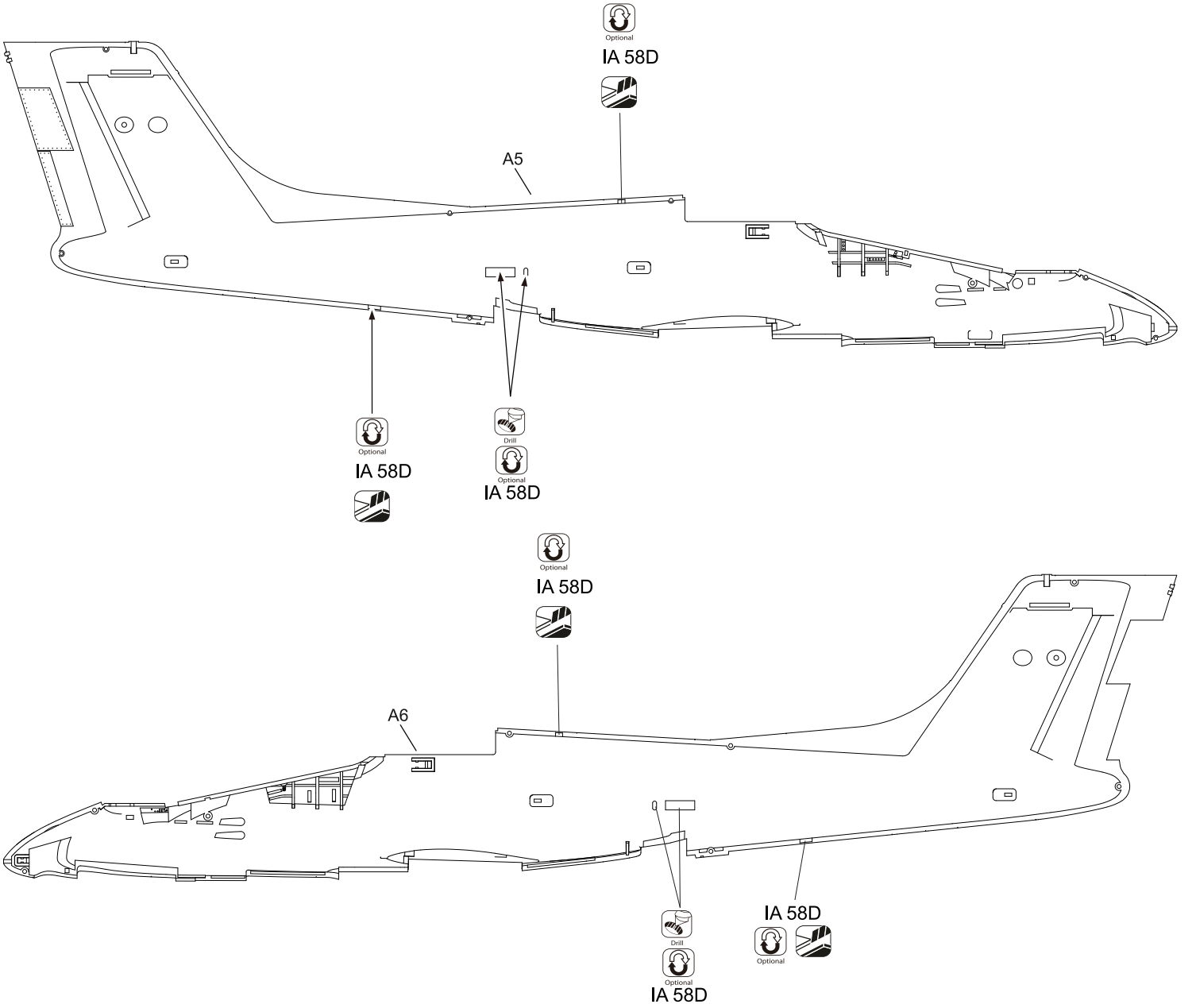
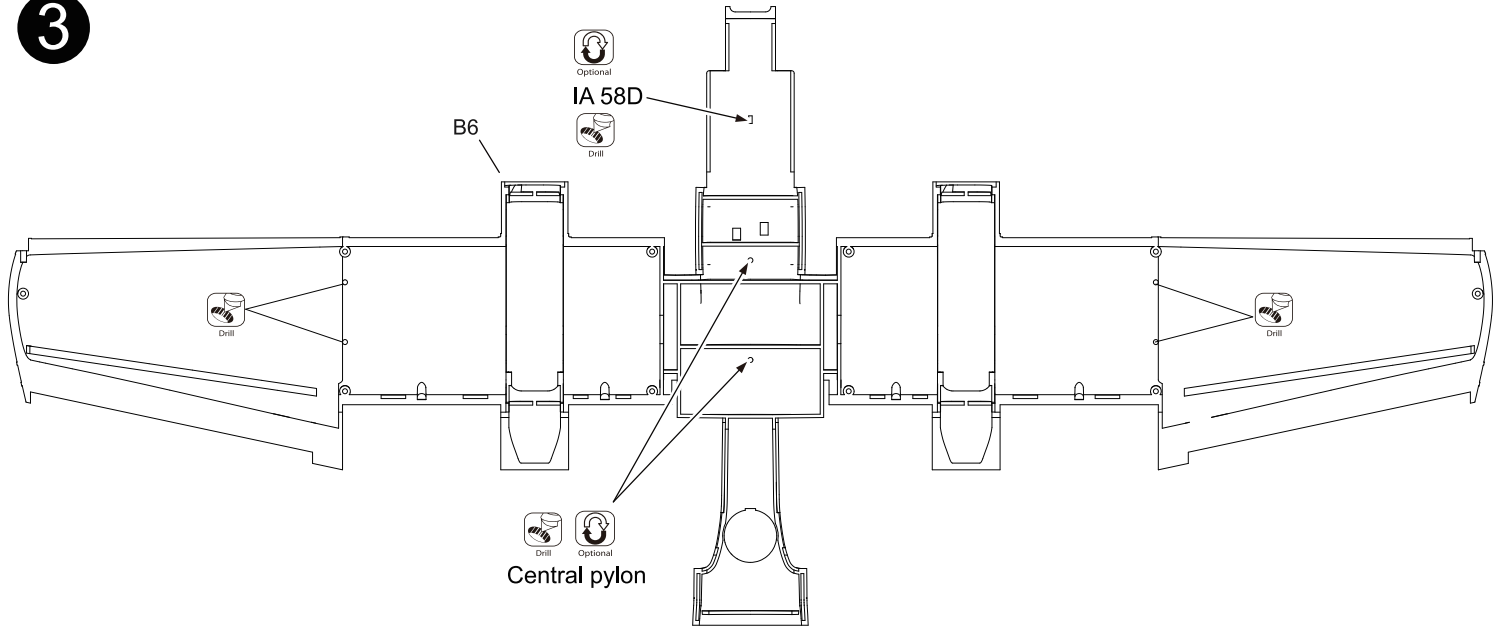


COLOR	AMMO MIG	VALLEJO MODEL COLOR	GSI CREOS MR. COLOR	TAMIYA ENAMEL/ACRYLIC	HUMBROL ENAMEL
FS30450	A.MIG-025	71.140	-	XF-59	-
RUBBER & TIRES	A.MIG-033	70.306	137	XF-85	-
MATT BALCK	A.MIG-046	71.057	33	XF-1	33
YELLOW	A.MIG-048	71.002	4	XF-3	69
KAHKI	A.MIG-071	71.136	55	XF-49	26
FS36628	A.MIG-119	71.279	-	-	-
FS23538	A.MIG-125	71.078	113	-	-
FS36118	A.MIG-204	71.047	305	XF-77	125
FS36270	A.MIG-211	71.275	306	-	126
FS34086	A.MIG-240	71.325	H301	-	-
FS34524	A.MIG-244	71.009	26	-	-
FS25450	A.MIG-271	-	-	-	-

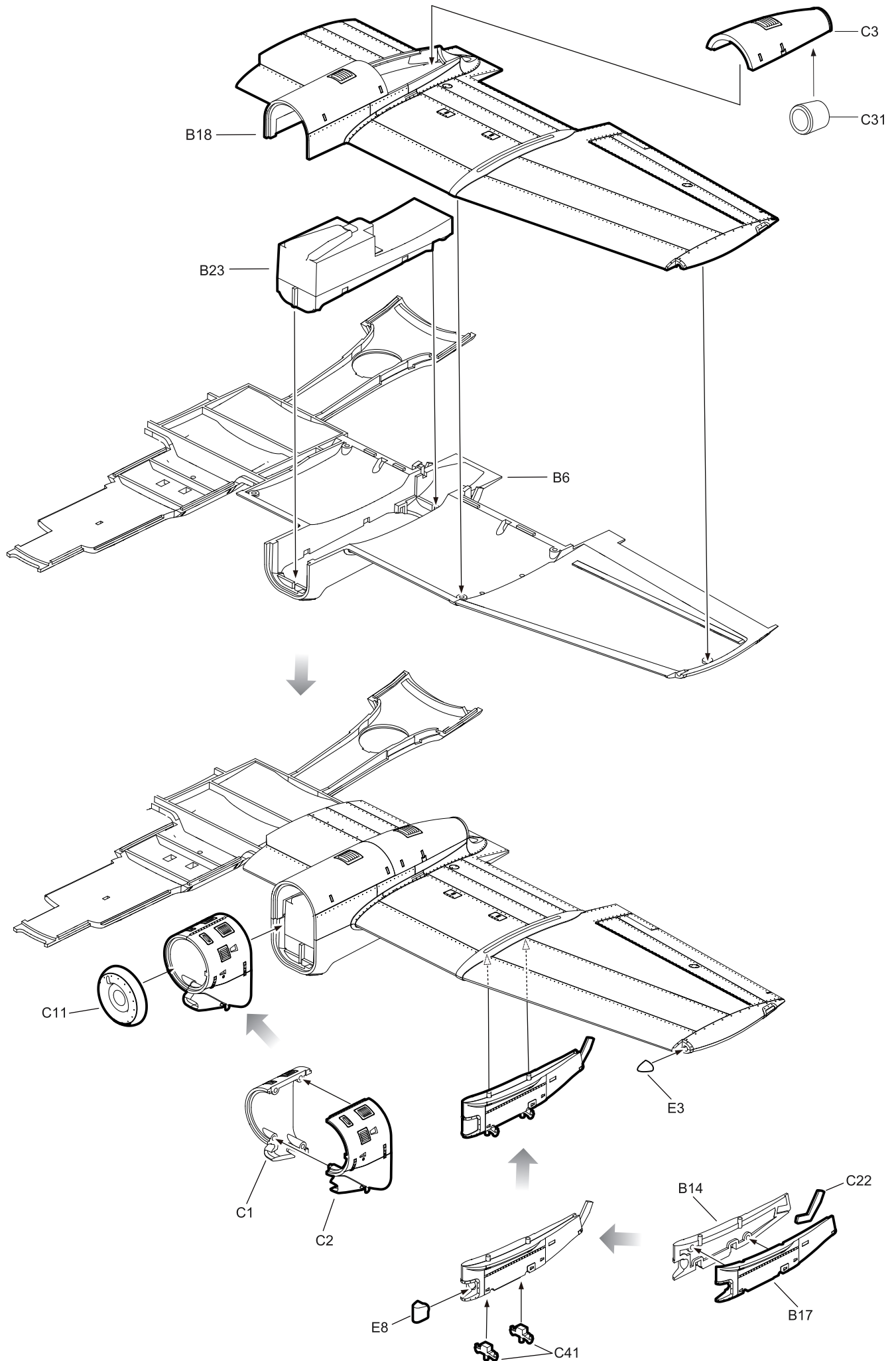
For Color Profile, please go to www.kineticmodel.com for download (type the kit# and go for manual/painting guide)



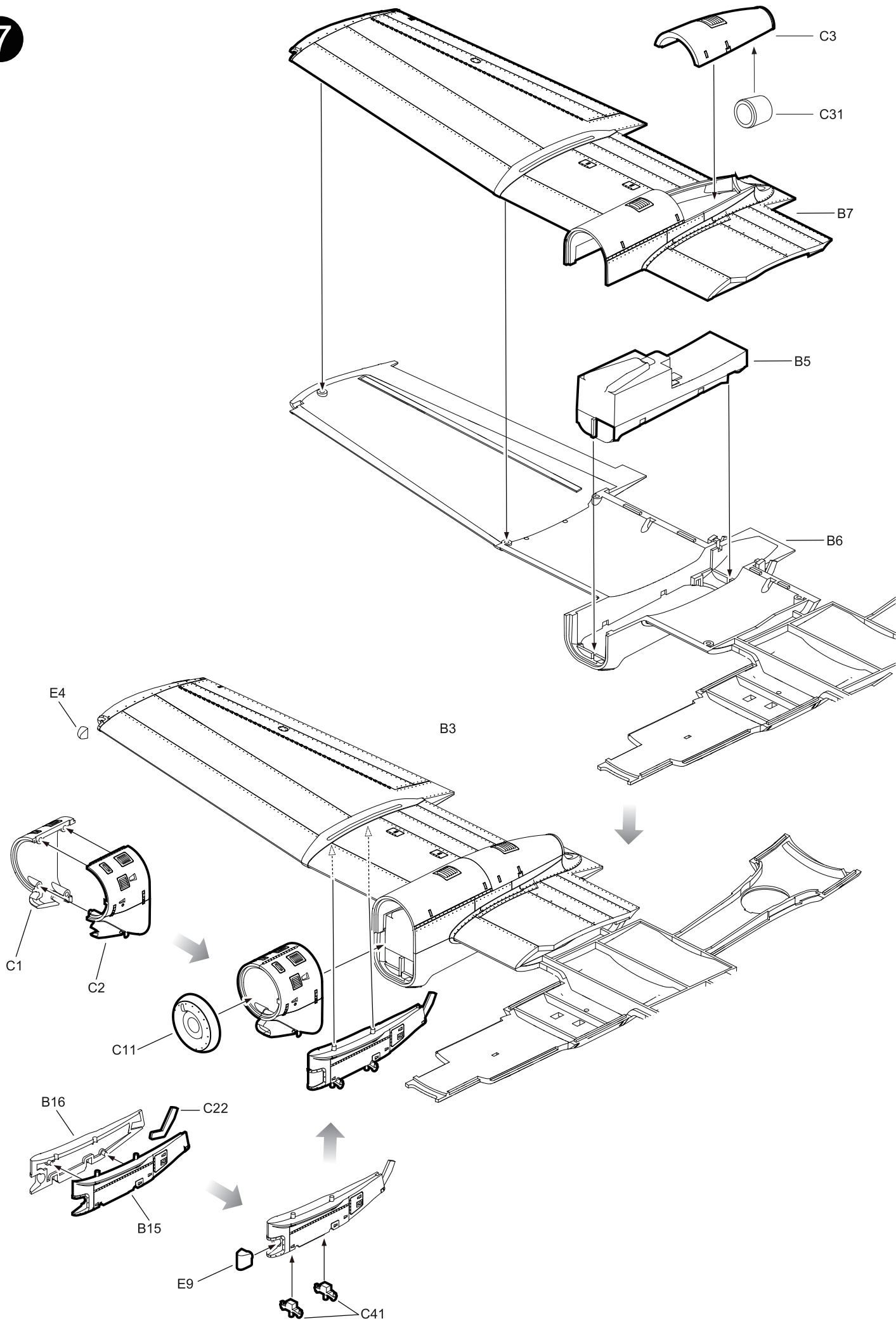
3



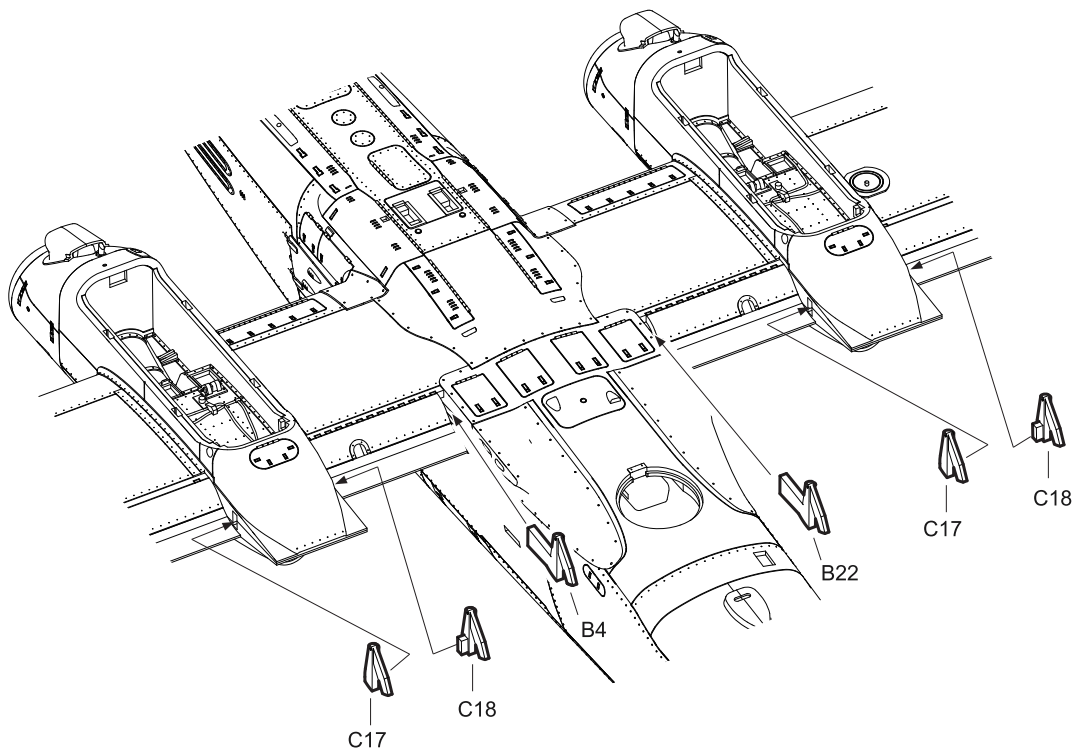
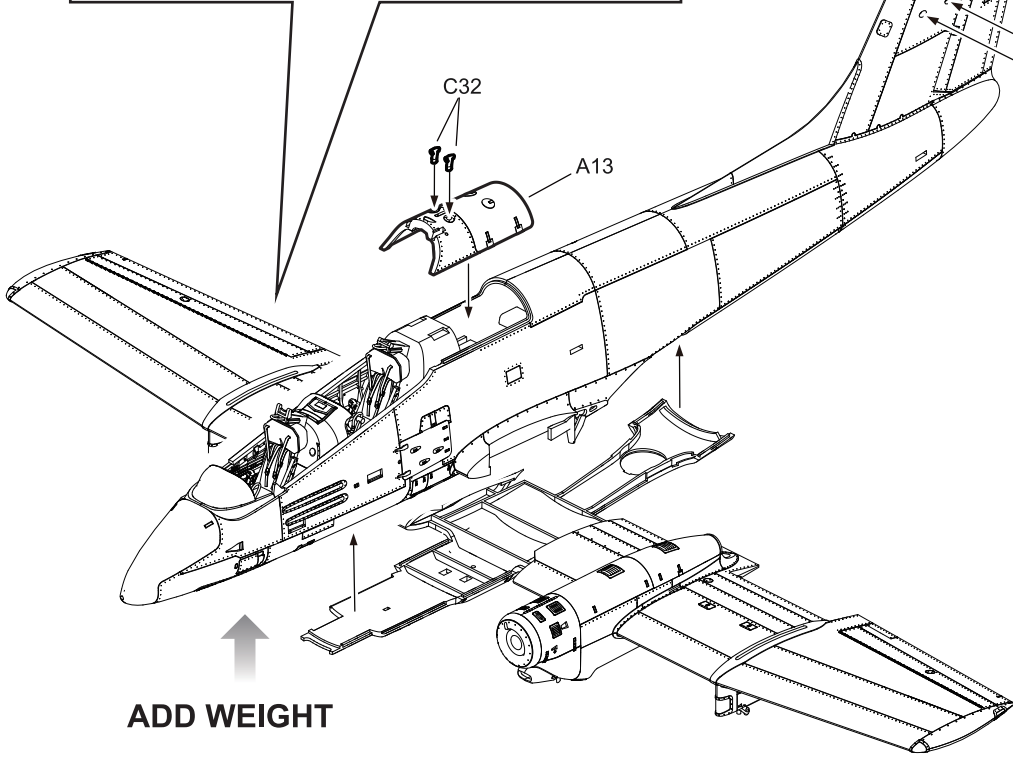
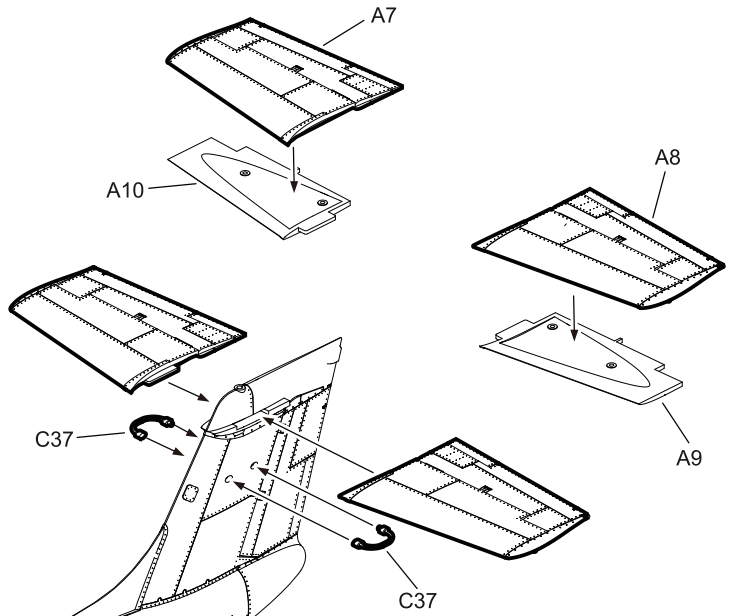
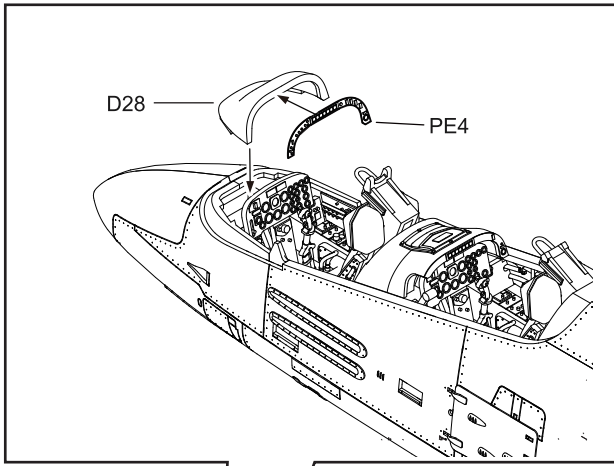
6



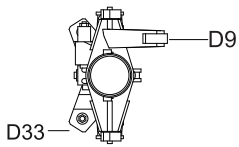
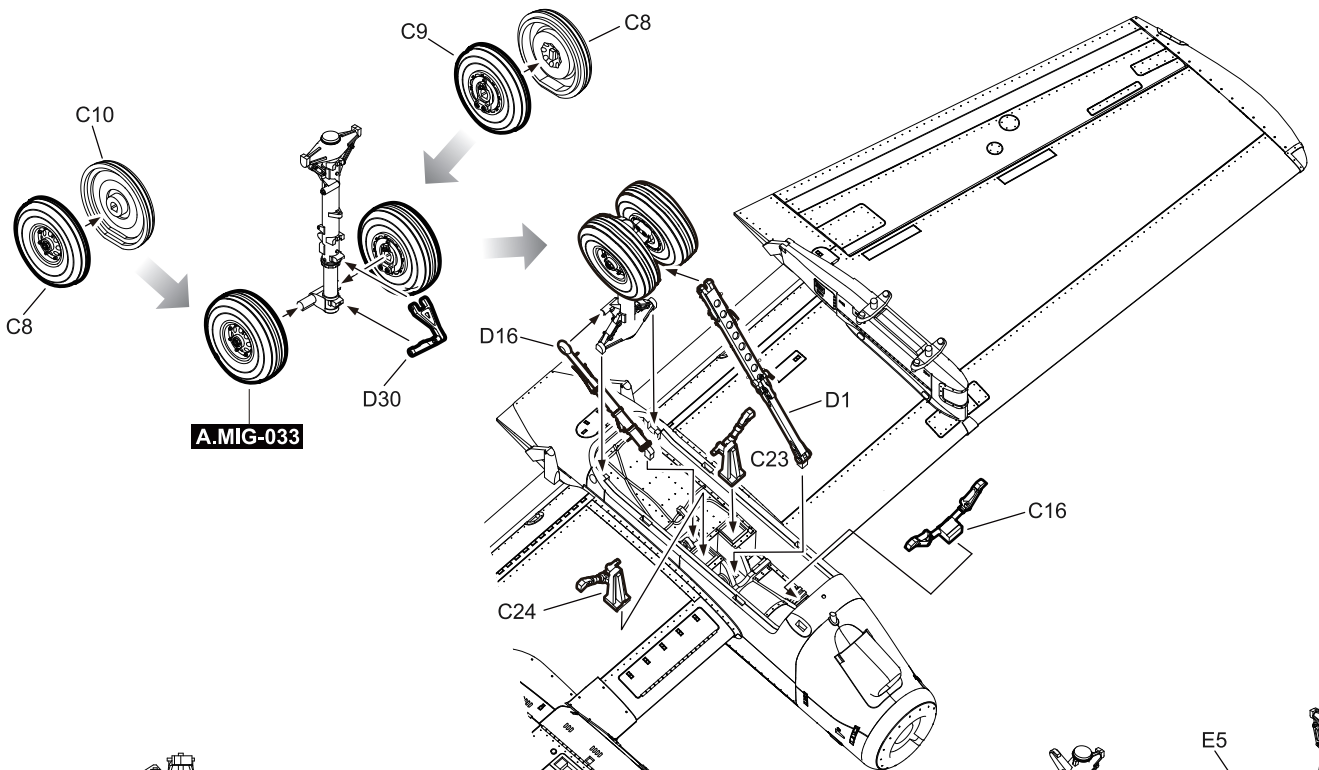
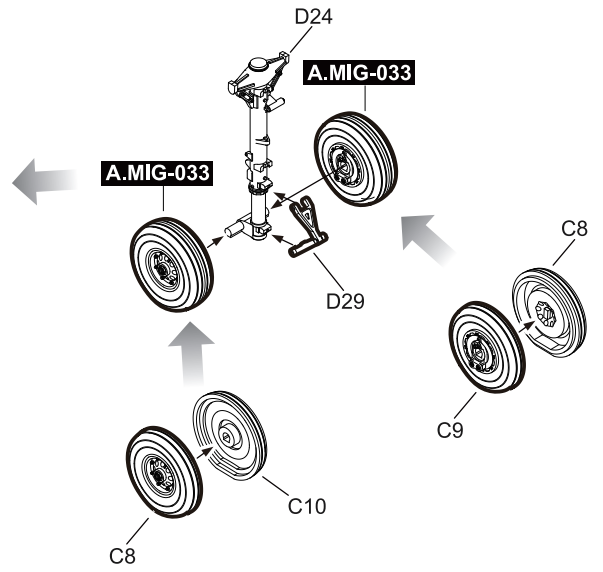
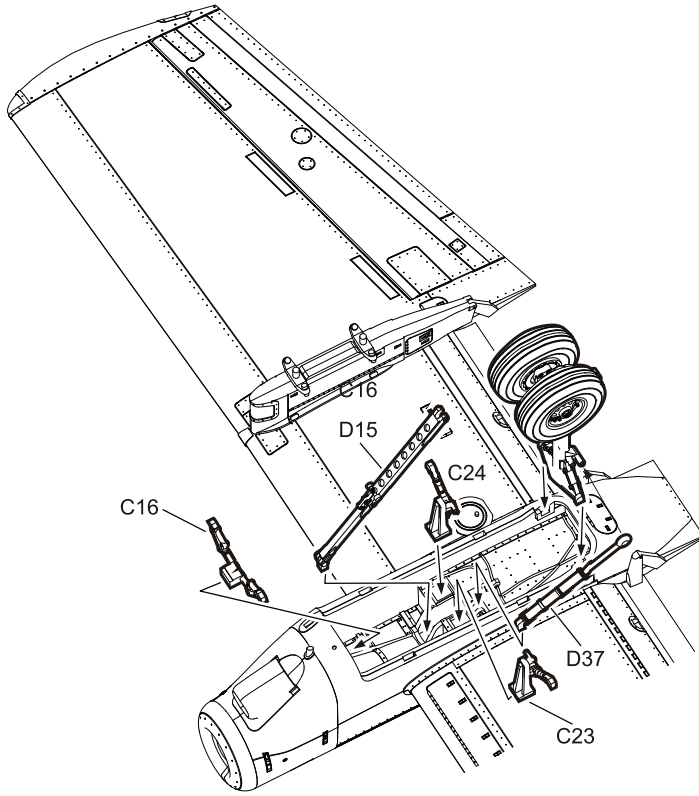
7



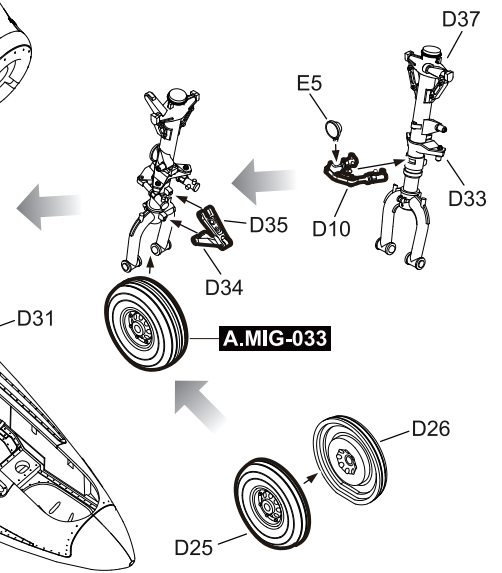
8

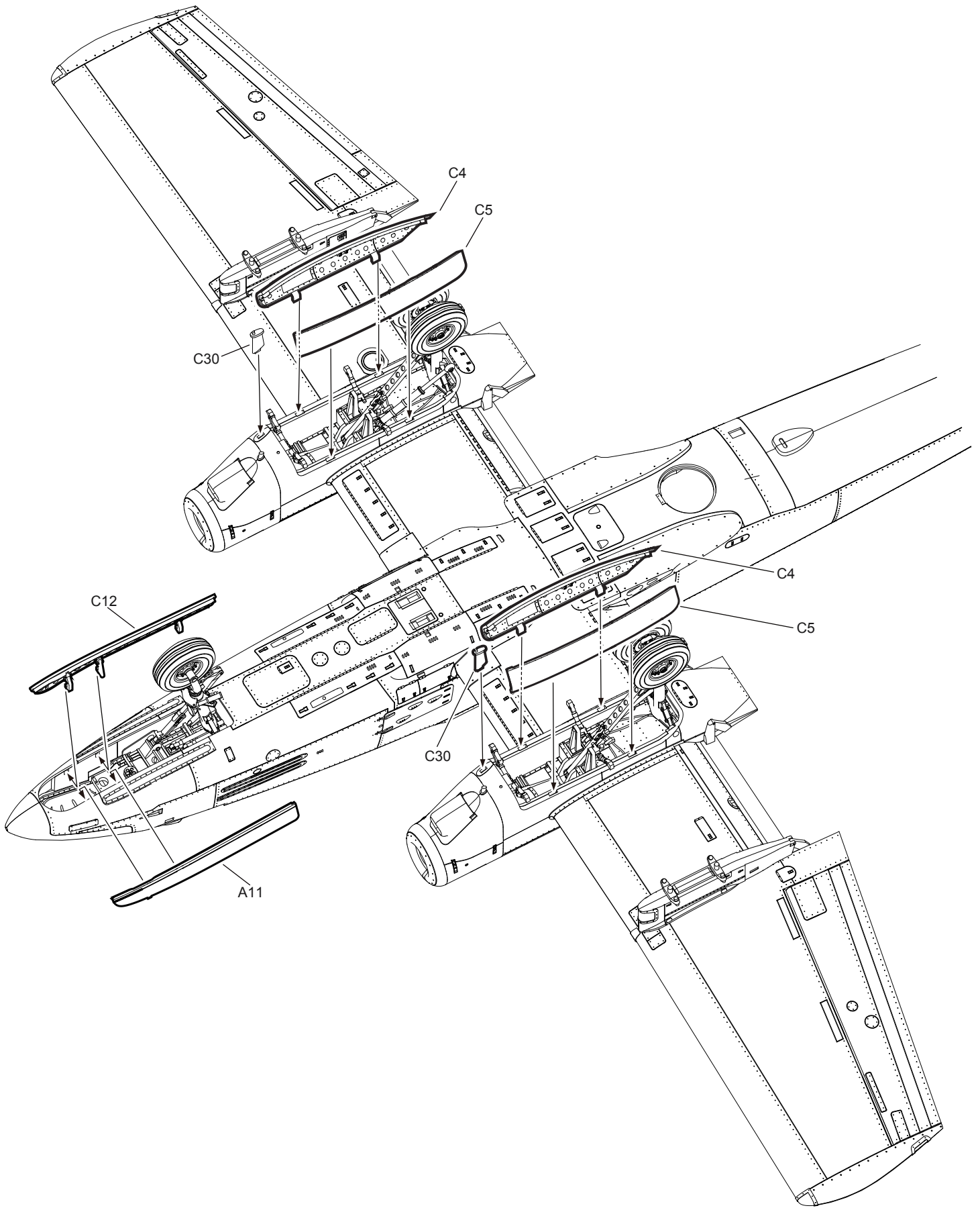


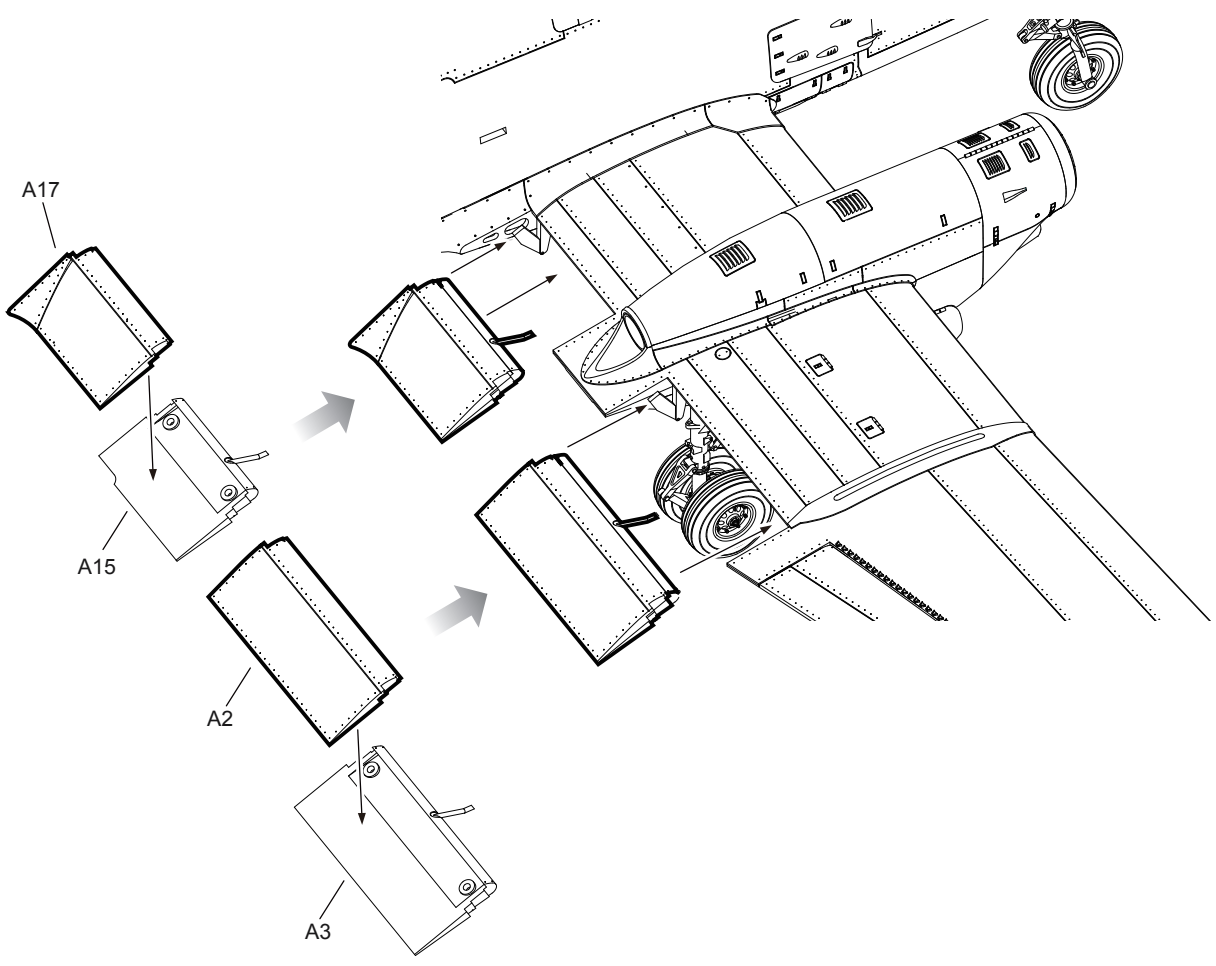
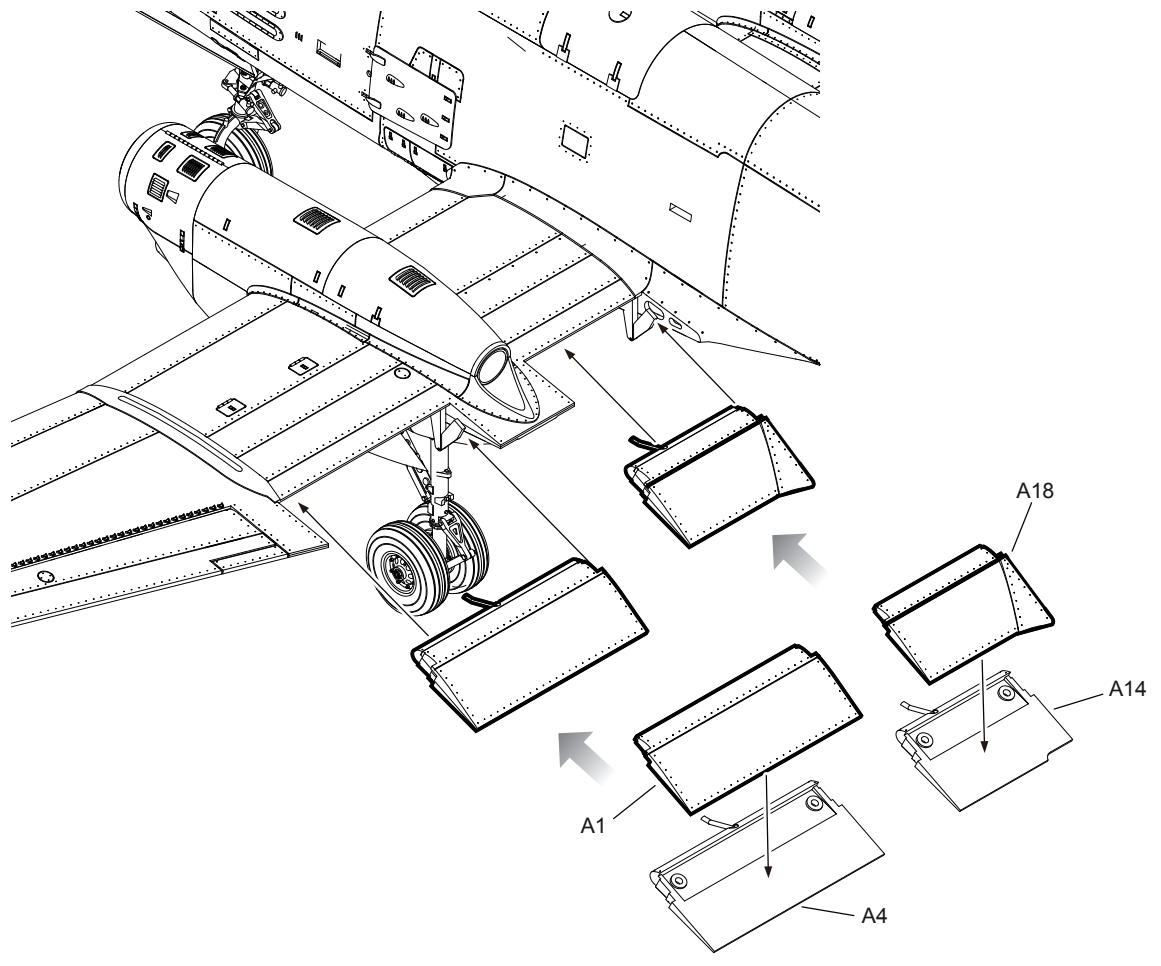
9



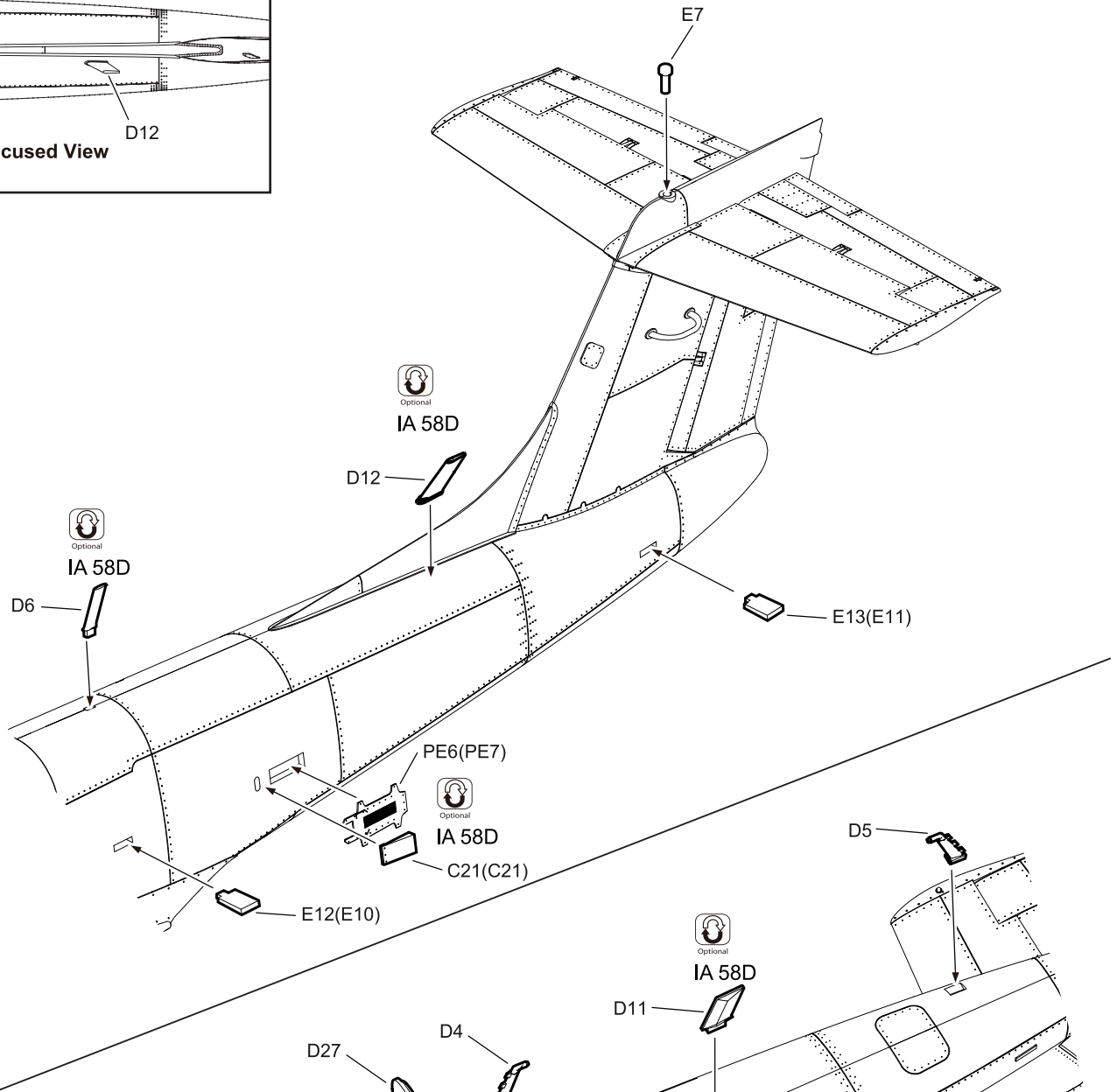
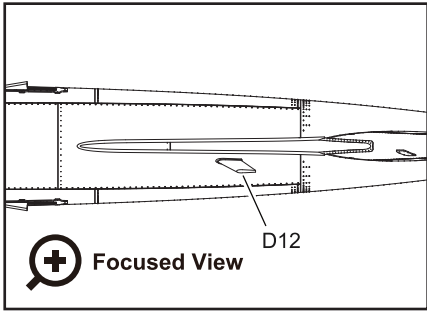
D37 Focused View



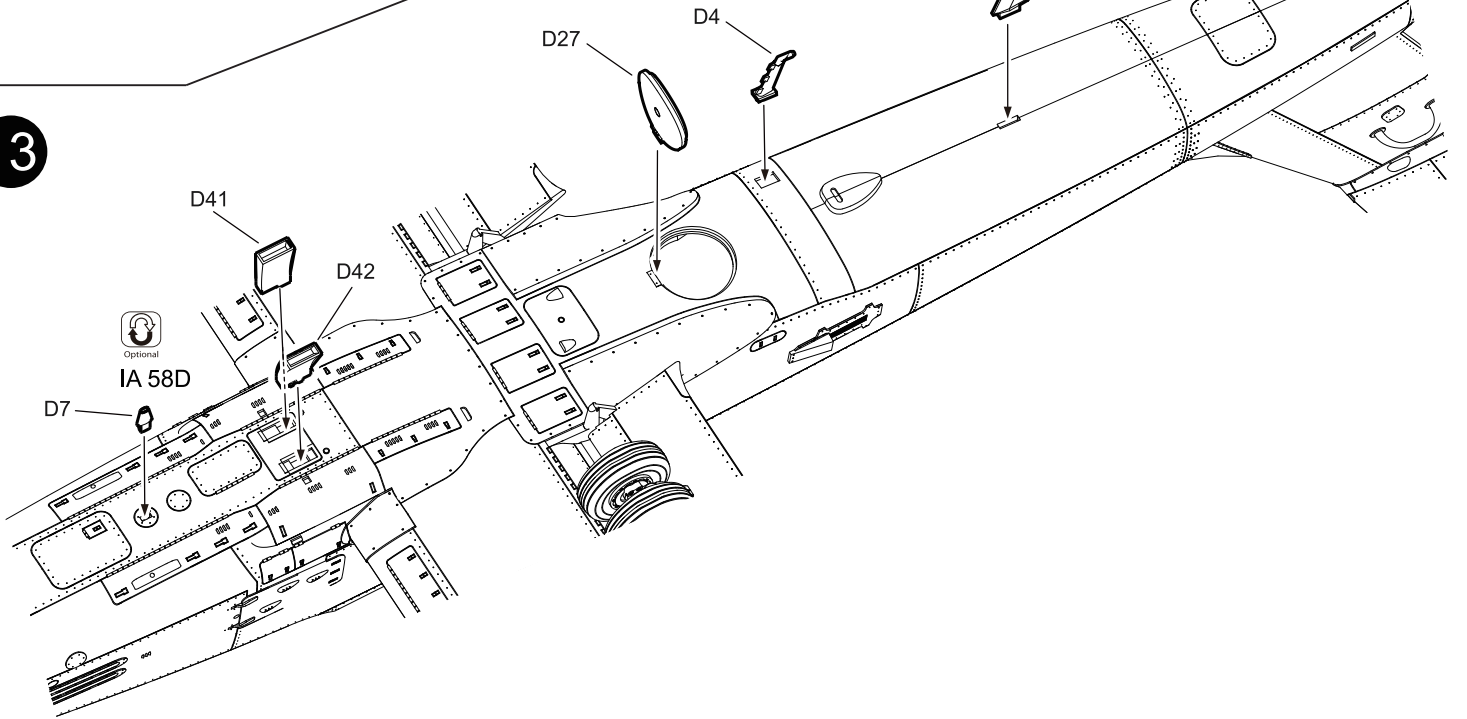




12

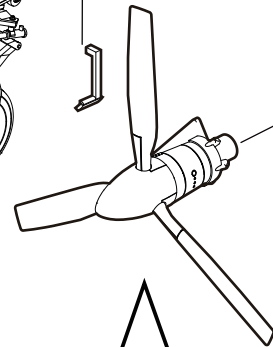
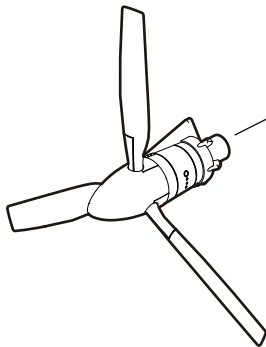
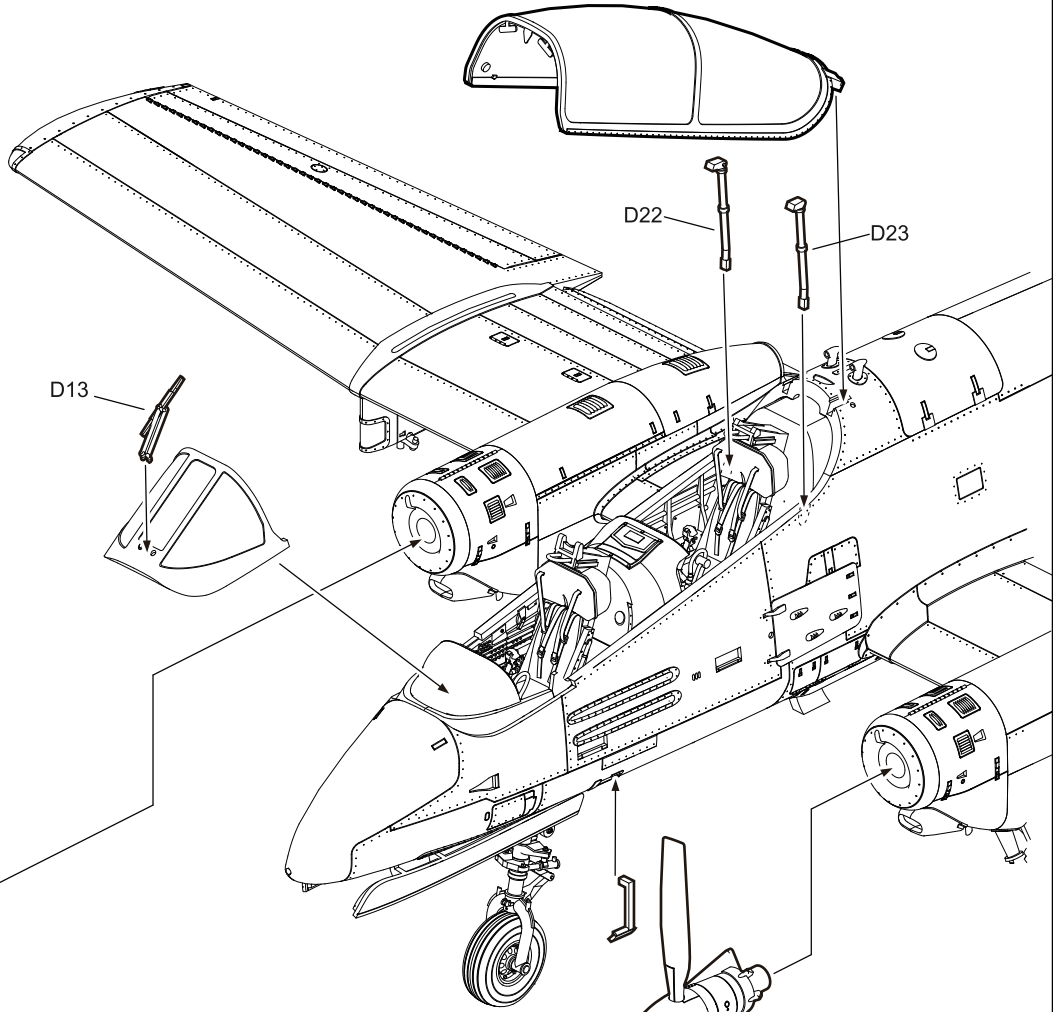
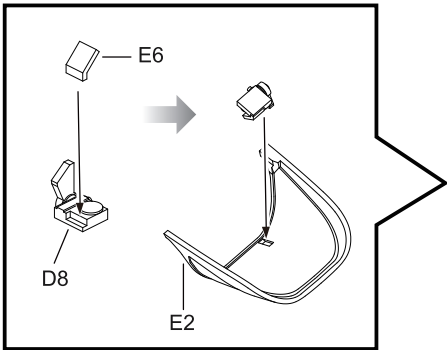
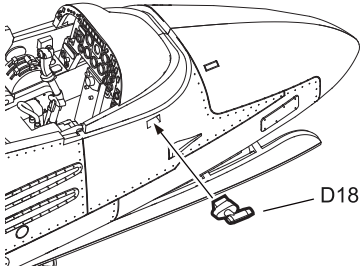
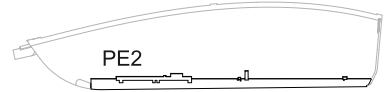
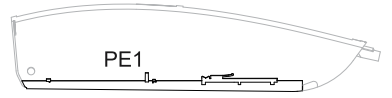
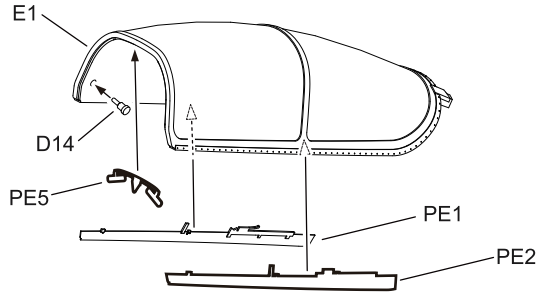
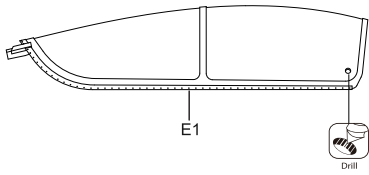


13

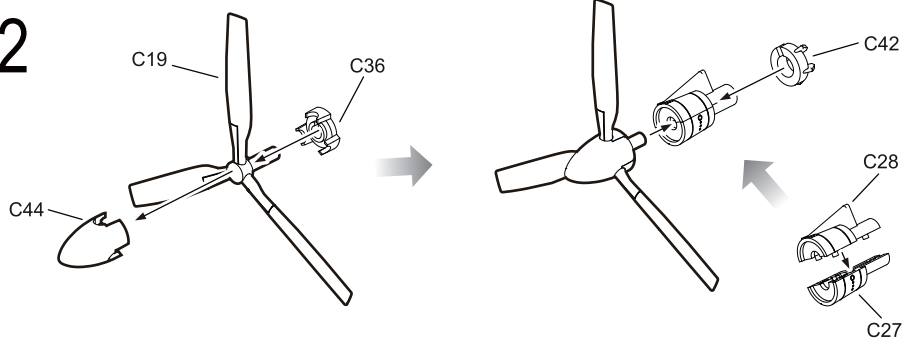


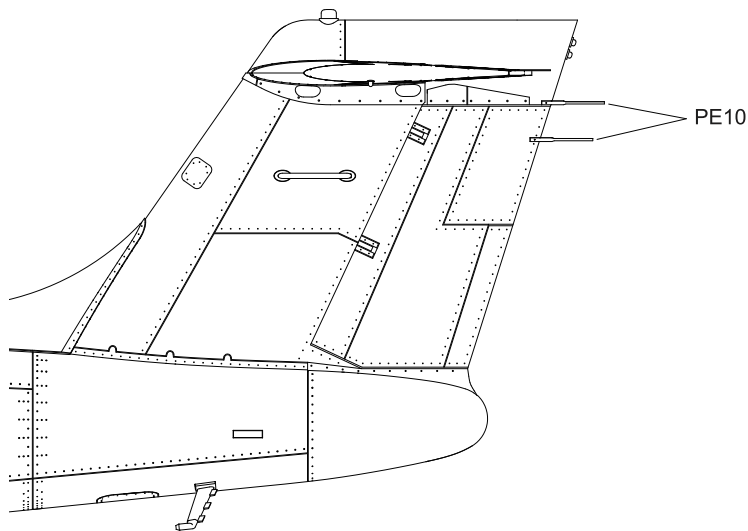
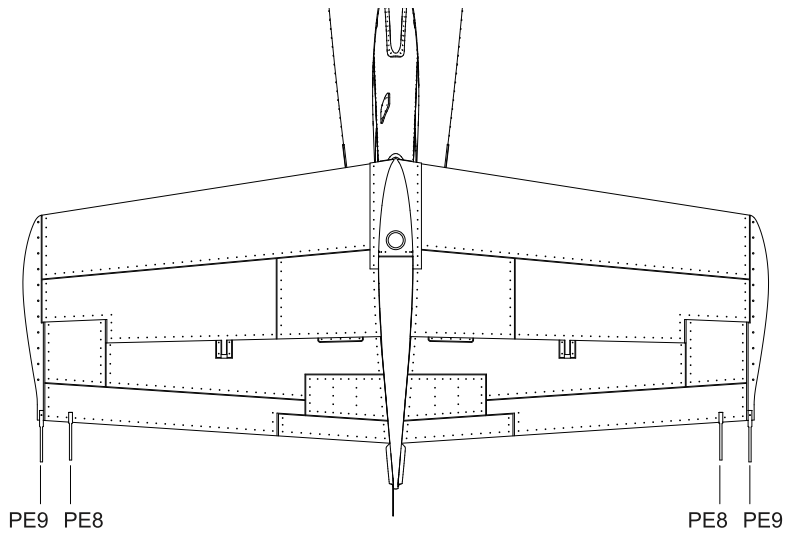
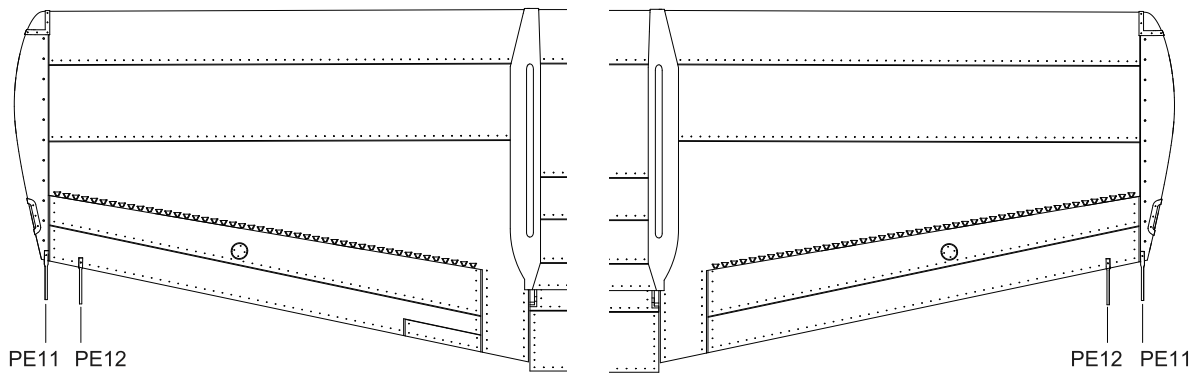
14

+ Focused View

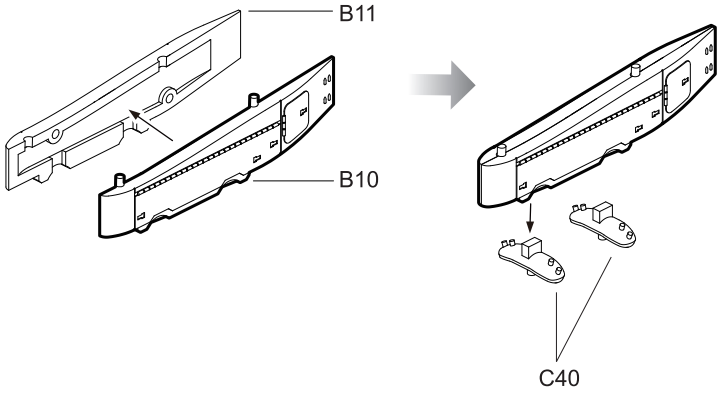


x2

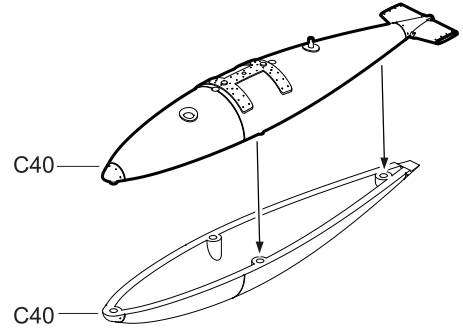




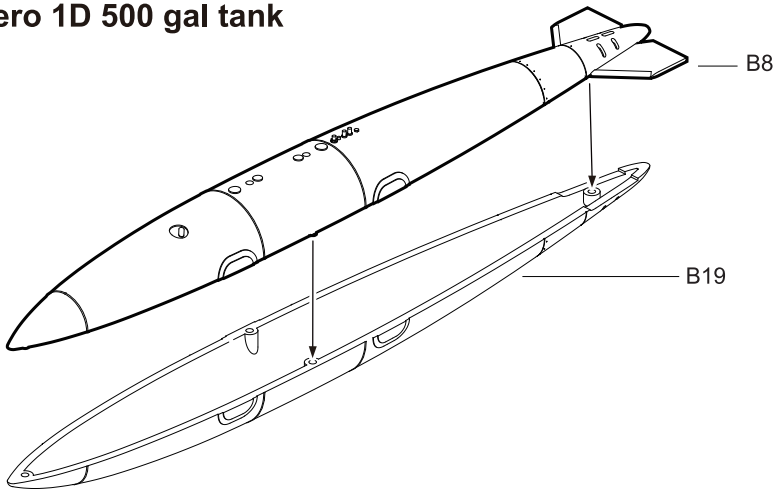
Central pylon



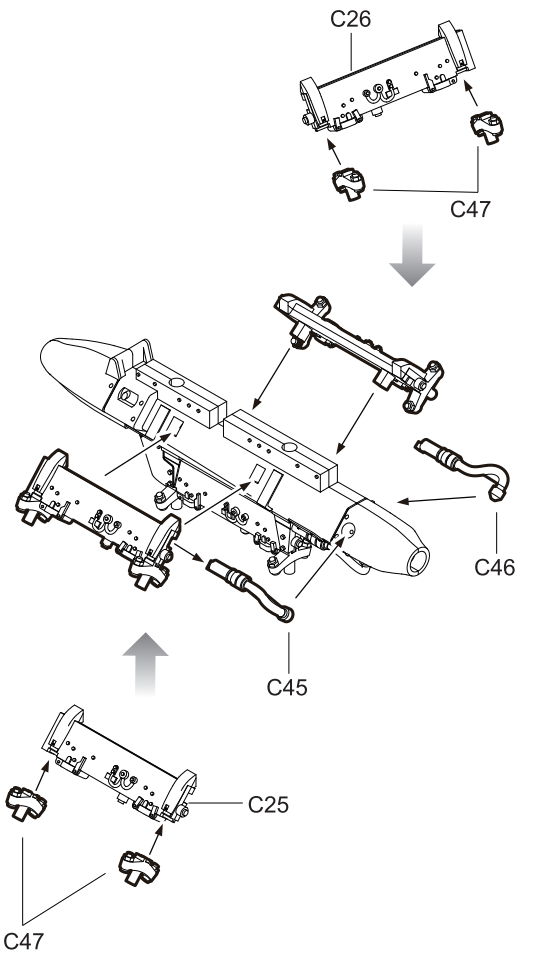
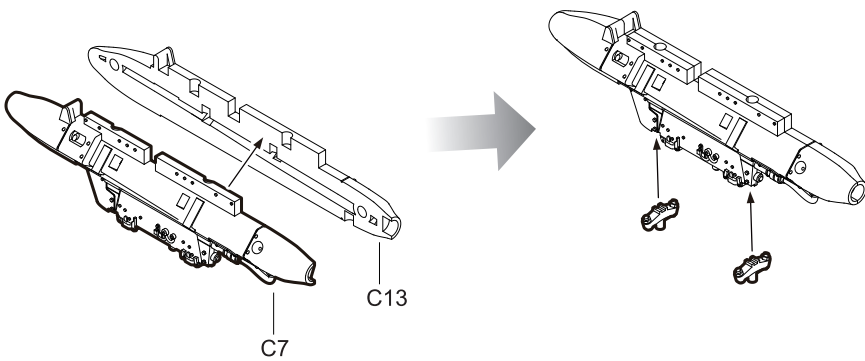
Small tank x2



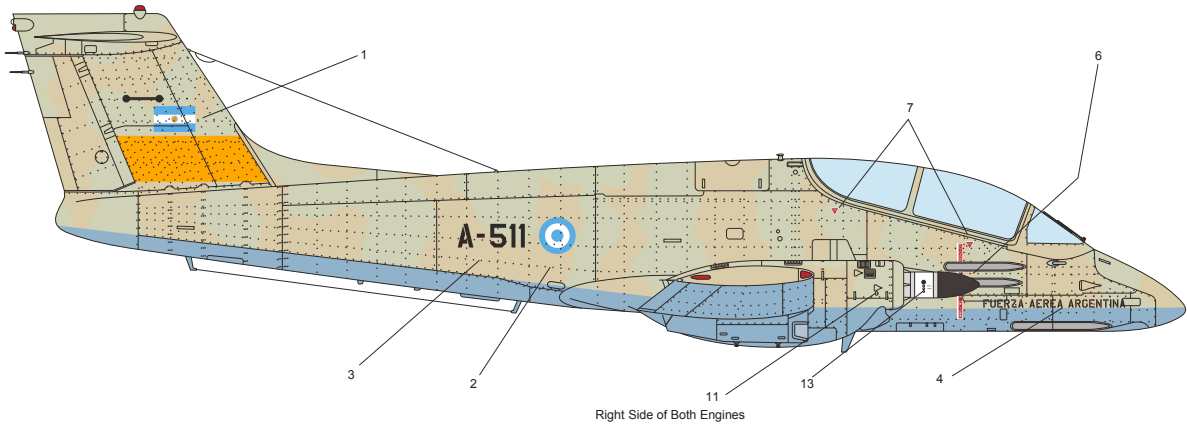
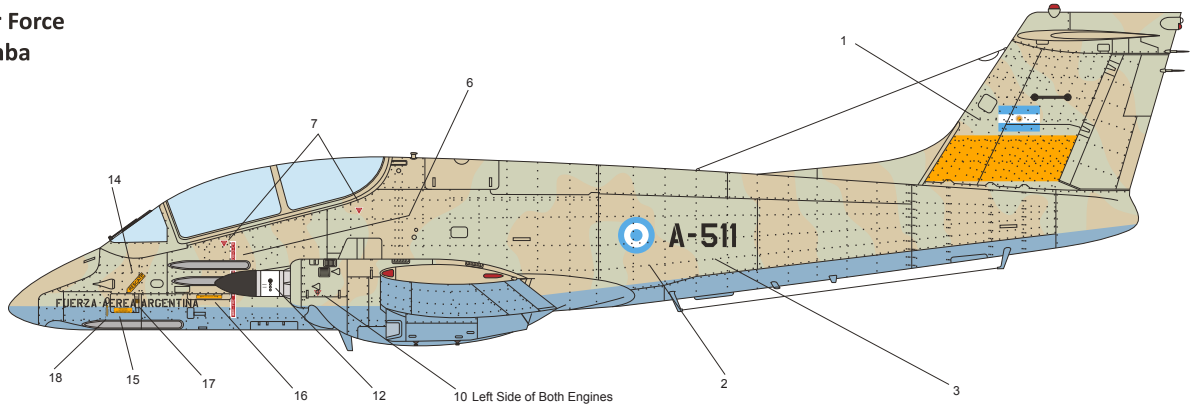
Aero 1D 500 gal tank



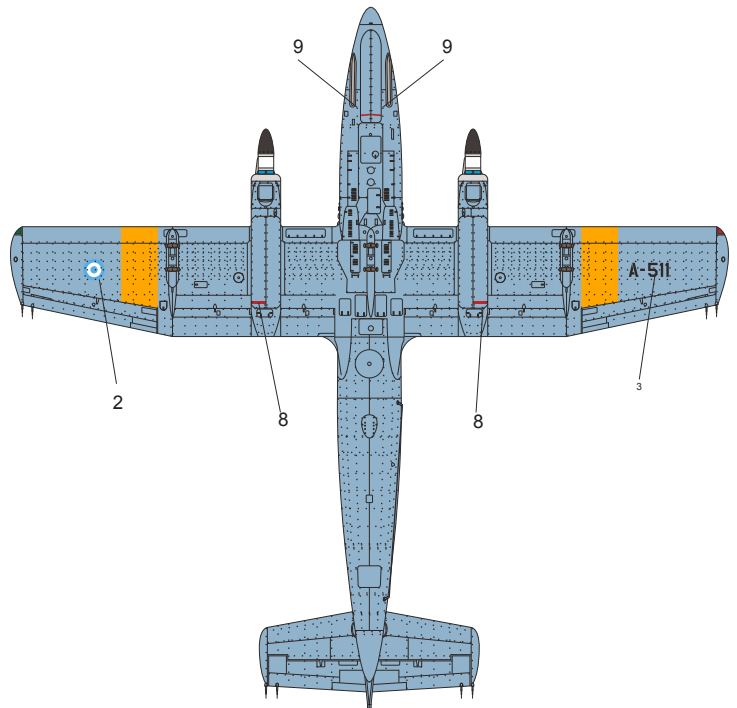
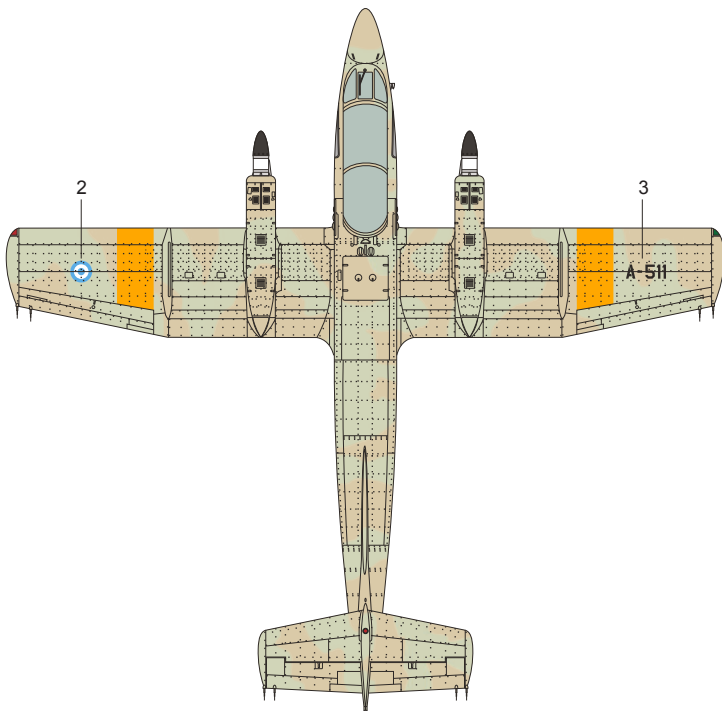
BRU-42/A TER rack x2



FMA IA-58A/D PUCARA
Argentinian Air Force
Maj Carlos Tomba

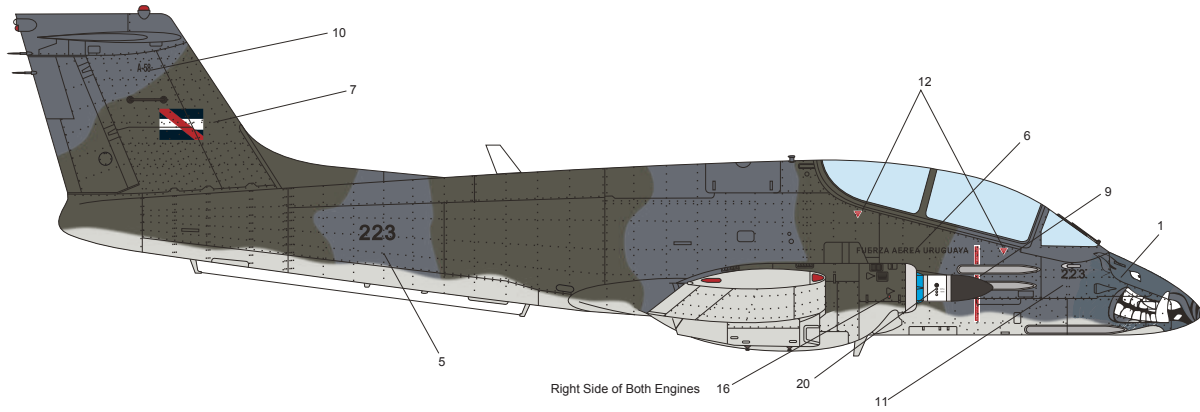
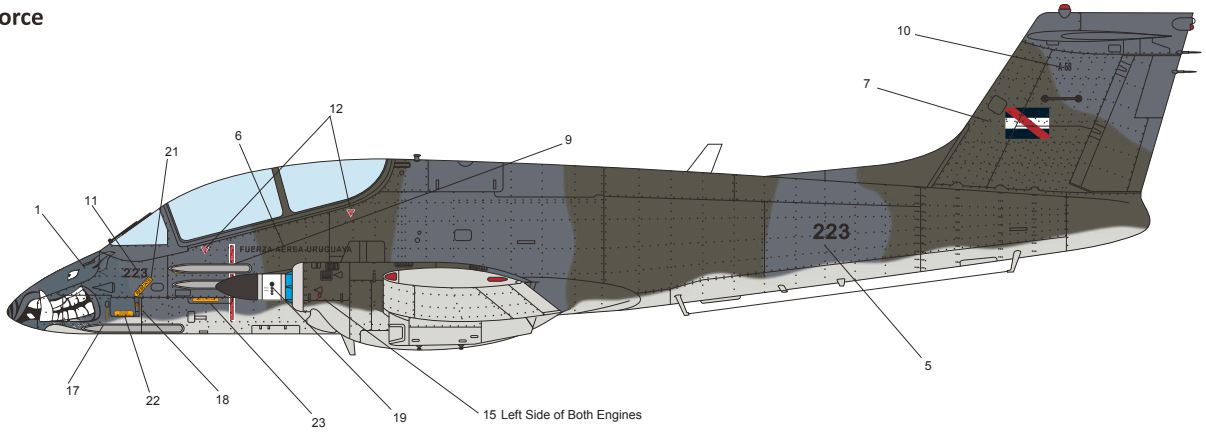


- A.MIG-025 FS30450
- A.MIG-244 FS34524
- A.MIG-271 FS25450
- A.MIG-125 FS23538

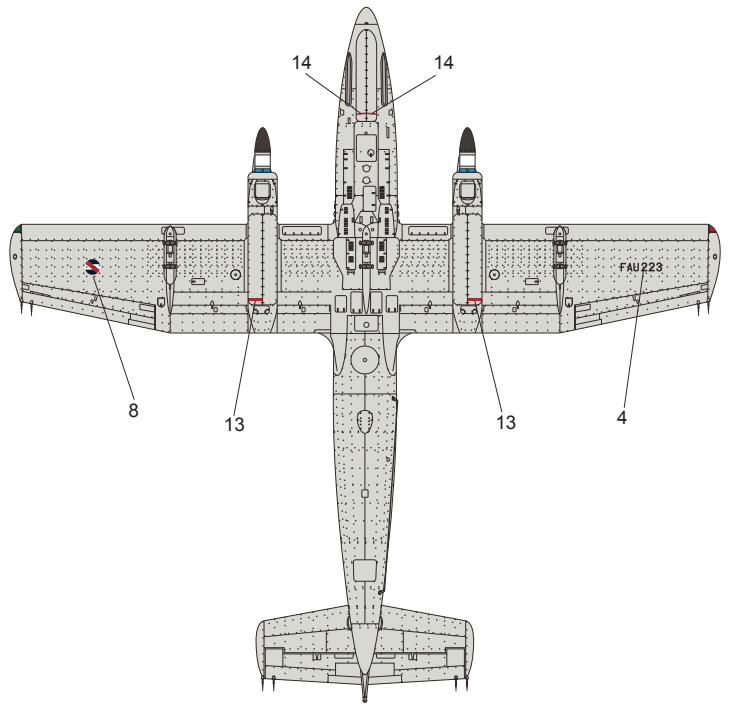
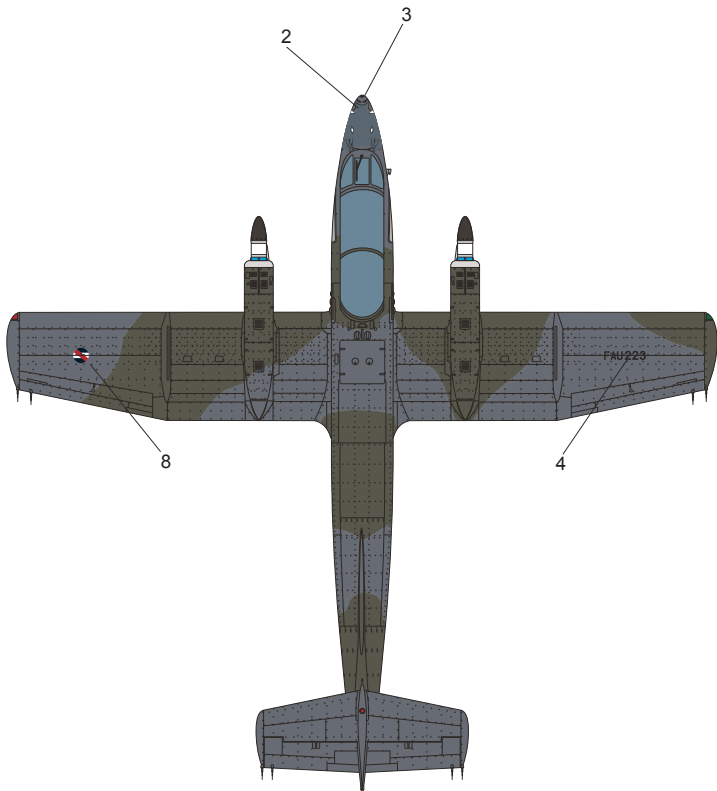


1/48 SCALE AIRCRAFT SERIES NO.K48078

FMA IA-58A/D PUCARA
Uruguayan Air Force



- A.MIG-204 FS36118
- A.MIG-240 FS34086
- A.MIG-119 FS36628



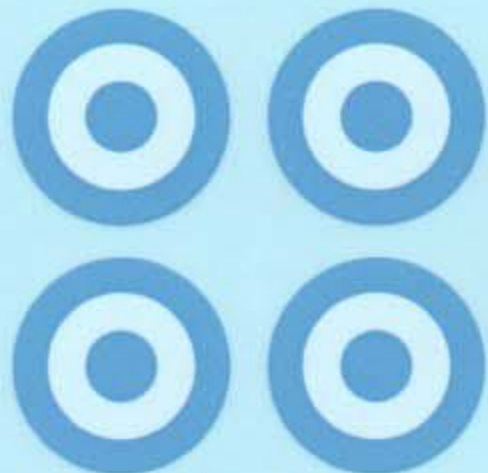


FAU 223 223
FAU 223 223

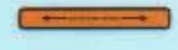
FUERZA AEREA URUGUAYA
FUERZA AEREA URUGUAYA
A-58 A-58 223 223



FMA IA-58A/D PUCARA
Uruguayan Air Force



A-511 A-511 FUERZA AEREA ARGENTINA
A-511 A-511 FUERZA AEREA ARGENTINA
11 11



FMA IA-58A/D PUCARA
Argentinian Air Force
Maj Carlos Tomba



1/48 FMA IA-58A/D Pucara

