

# '58 CHEVROLET®

**CHEVROLET** Impala™ Sport Coupe

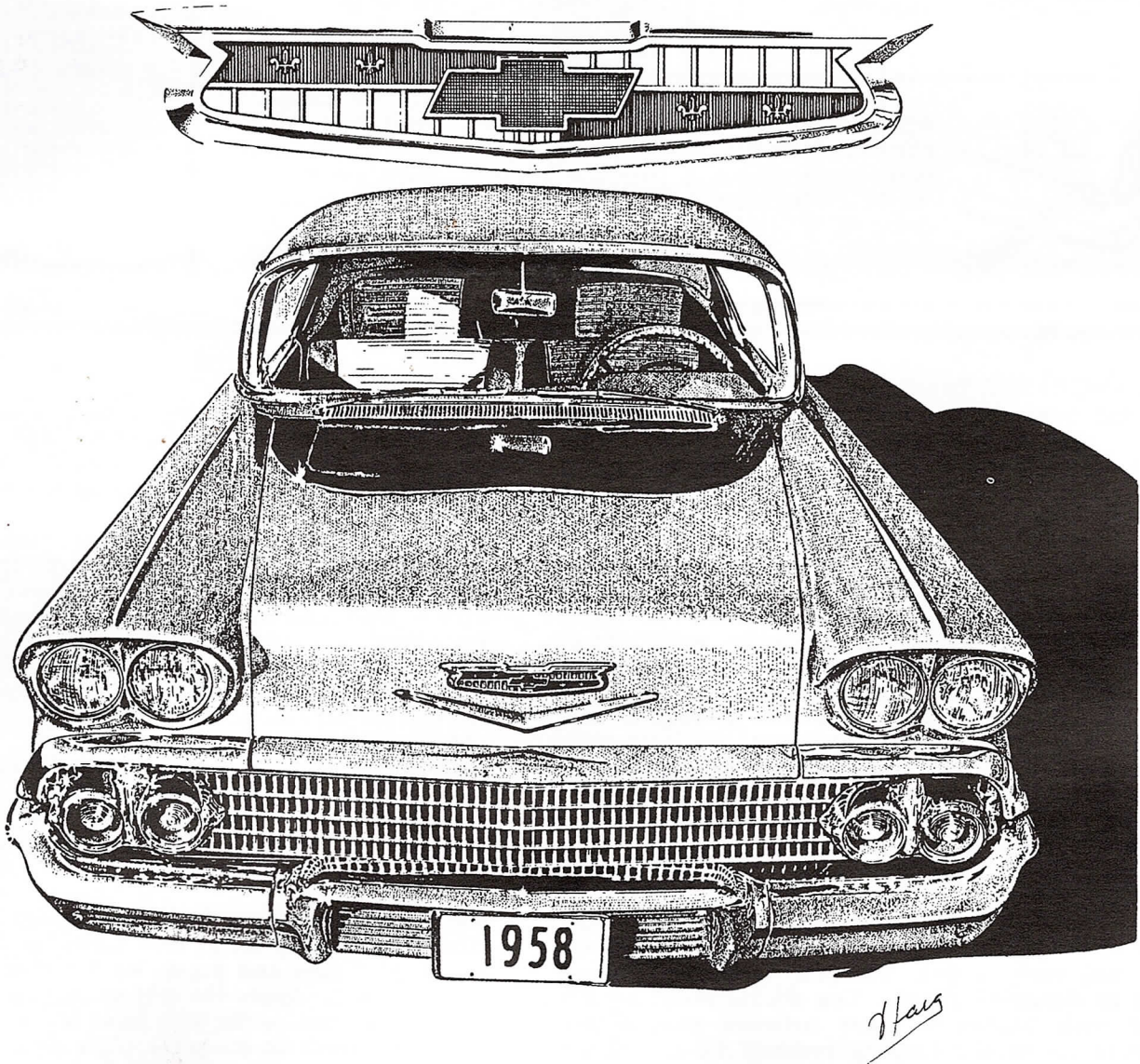
**1/25 SCALE**



31760

## ASSEMBLY INSTRUCTION MANUAL

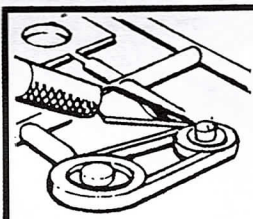
099-31760



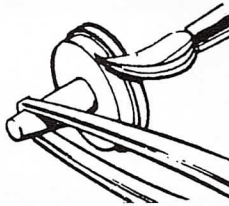
## Please Read This Page Before Starting

This kit may be built more than one way. Look over this instruction Sheet carefully before you begin building. You may decide to combine parts from the different versions shown, or use parts from other AMT/ERTL kits. After you've planned your car, follow the assembly instructions and "TEST FIT" the parts without cementing. This will familiarize you with the locations of parts. For best results, the various sub-assemblies and components should be painted before any "CHROME" parts are attached. For example: When attaching "NON-CHROME" engine parts, it is best to cement them in place and paint as a unit. Refer to parts list for part descriptions.

AMT/ERTL kits are molded from the finest high-impact styrene plastic. Use only paint and cement made for styrene. Trim excess plastic from parts before joining. When attached "CHROME" or painted parts, scrape plating or paint away where parts are to be joined. Cement to join parts and be careful not to smear cement on exposed surfaces. Built according to the instructions on this sheet, you should have no trouble assembling your kit. Just follow the letters as the instructions are set in order of assembly.

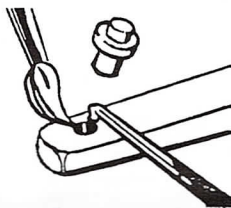


Use a hobby knife to remove parts from trees.

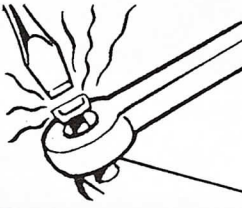


Use tweezers to place small parts in position or for painting.

**CAUTION: KEEP OPEN FLAME AWAY FROM CEMENT, PAINT AND THINNERS.**



Apply cement with either a brush (for liquid cement) or a toothpick (for tube cement).



To heat swage, heat the tip of a screwdriver with a candle or match, touch it to the plastic to form a "head" to retain part.

### ADVANCED BUILDING TIPS

For the best possible finish you should paint your model, even if it is molded in color. Several thin coats of paint will look a lot better than one heavy coat. The first coat of paint should not cover the surface completely. Instead, allow it to dry and sand with 600 emery wet or dry sandpaper that is slightly damp. (Be sure to wash your parts before painting. This removes the mold release agents that may be used in manufacturing, oil from your fingers and dust that is attracted to plastic by static electricity. Use a mild solution of dishwashing detergent and water, rinse with lukewarm water and air dry.) You should sand between each coat of paint except for the last which is your finish coat. Be careful not to sand off any detail. The final coat of paint may be polished to a high luster after the paint has dried all the way through, at least for three days. Use an automatic paste cleaner/wax, not a polishing compound. Model paint is "softer" than regular automotive touch-up paint, even when dry. A clear coat may be applied over the finish coat to enhance the gloss of the finish. If you do this, be sure to wash the wax off, using a dish detergent/water solution and rinse as described above. You should also rinse the parts with lukewarm water between sanding and painting to remove sanding residue, use a tack rag to dry, do not use paper towels or tissue.

You may wish to prepare your parts before painting. Sand and file away "parting lines", sand glue joints to hide the seams and lightly sand or scrape all corners

and edges of parts as paint tends to draw away from sharp edges. Filler putty designed for plastic may also be used to fill small gaps and blend contours between assembled parts. A little care makes a big difference in finished appearance.

For those devoted to super realism, race cars can be enhanced a great deal. Rubber dust from the tires collects on the fenders behind the wheel wells - this can be simulated by using pastel dust applied with a soft brush or very careful work with an airbrush. The front of race cars collect dirt, dust and stone chips which can be easily simulated by pastel dust, touches of flat black paint and silver paint. Be sure to detail paint all trim, grills and air ducts. Always use a good brush for this. Generally they are available at an art supply store or good hobby shop. A 00 or 000 size works well. Detail painting tips are called out thru-out the instructions. The better job you do, the better results you will achieve.

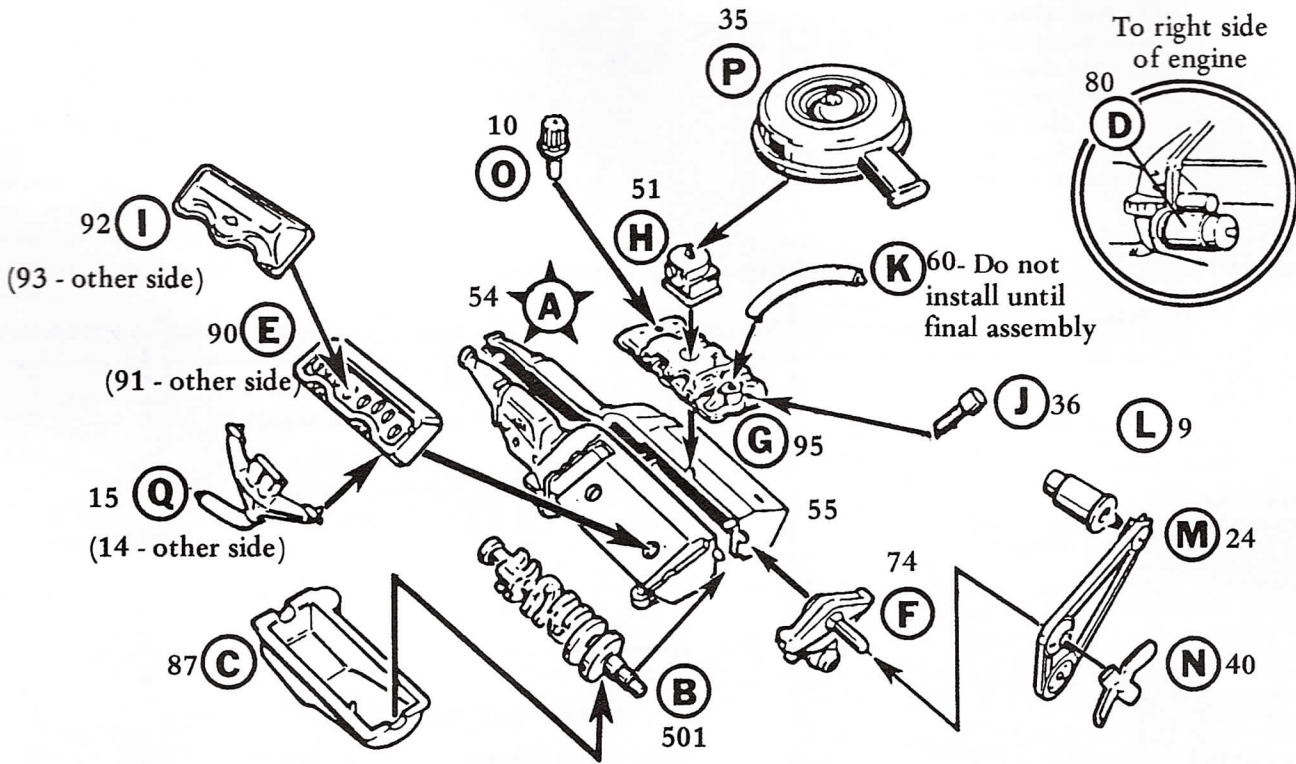
For painting two-tone bodies, paint the lightest color first and let it dry for at least 24 hours. Using frosted or "magic" tape and paper, mask the area you don't want painted. Apply the second color and remove the masking as soon as the new paint is dry to the touch. Carefully touch up the paint edges with a small brush if necessary. A gloss coat may be applied to even out the two paint surfaces after the second color is dry.

# PARTS LIST

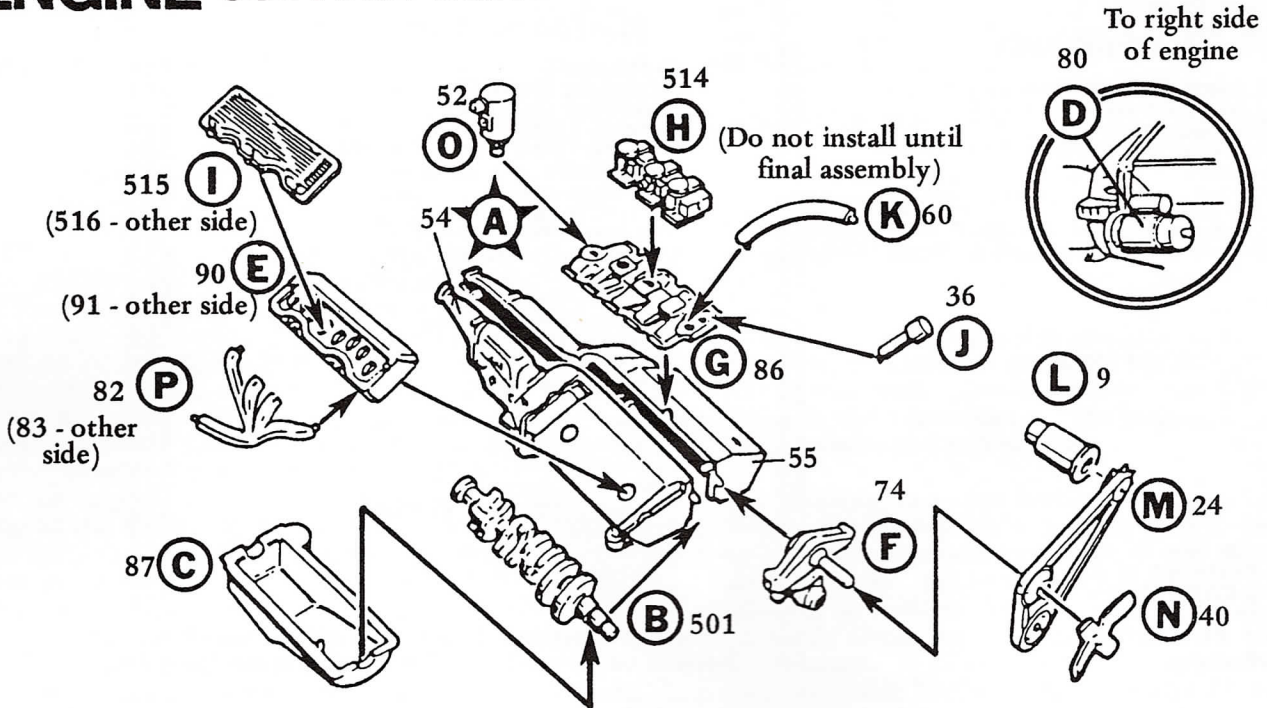
DESCRIPTION	PART NO.	DESCRIPTION	PART NO.
Muffler/Tailpipe (L)	1	Rear Wheel Inner	81
Muffler/Tailpipe (R)	2	"Headman" Exhaust Header (R)	82
Steering Post (Stock)	3	"Headman" Exhaust Header (L)	83
Front Panel	4	Rear Upper Control Arm	84
Dashboard	5	Shock Absorbers (2 pcs.)	85
Rear Brake Drums (2 pcs.)	6	"Offen Hauser" Triple Intake Manifold	86
Front Brake Drums (2 pcs.)	7	Oil Pan	87
Front Axle (2 pcs.)	8	Steering Post	88
Generator	9	Radiator Cover	89
Distributor	10	Cylinder Head (R)	90
Rear Axle - Plastic (Not Used)	11	Cylinder Head (L)	91
Drag Wheels (rear) (2 pcs.)	12	Valve Cover (R)	92
Steering Wheel	13	Valve Cover (L)	93
Exhaust Manifold (L)	14	Driveshaft	94
Exhaust Manifold (R)	15	Intake Manifold	95
Side Scoop (L)	16	Splash Pan	96
Side Scoop (R)	17	Rolled Rear Pan	97
Fender Scoop (R)	18	Custom Front	98
Fender Scoop (L)	19		
Fender Skirt (R)	20	<b>PARTS NOT NUMBERED</b>	
Fender Skirt (L)	21	Windshield (Clear)	
King Pin (L)	22	Rear Window (Clear)	
King Pin (R)	23	Vent Window (2 pcs.) (Clear)	
Belts/Pulleys	24	Backup Lights (2 pcs.) (Clear)	
Bench Seat Back	25	Spotlights (2 pcs.) (Clear)	
Inside Door Panel (L)	26	Headlights (2 pcs.) (Clear)	
Inside Door Panel (R)	27	Taillights (4 pcs.) (Red)	
Tie Rod	30	Custom Taillights (Red)	
Rear Axle/Differential (Bottom)	31	Firestone Tires (4 pcs.)	
Front Rims Drag	32	Two Racing Slicks (2 pcs. each)	
Front Wheel Inner	33	Axle (Metal)	
Rear Axle/Differential (Top)	34		
Air Cleaner	35		
Oil Filler Tube	36		
Horn (2 pcs.)	37	<b>PLATED "CHROME" PARTS</b>	
Front Lower Control Arms	38	Crankshaft	501
Fan	40	Headlight Bezel (R)	502
Rear Lower Control Arm (R)	41	Headlight Bezel (L)	503
Rear Lower Control Arm (L)	42	Parking Light (L)	504
Exhaust Headpipe (L)	43	Parking Light (R)	505
Exhaust Headpipe (R)	44	Shift Lever	506
Hood Scoop	45	Speedometer	507
Bench Seat	46	Tach/Gauges	508
Floating Gauge Bar	50	Steering Wheel	509
4 BBL Carburetor	51	Grille Cavity Molding (L)	510
Spalding "Flame Thrower" Ignition	52	Grille Cavity Molding (R)	511
Heater Blower	53	Sunken Aerial	512
Engine Block (R)	54	License Plate (2 pcs.)	513
Engine Block (L)	55	Triple Carburetor	514
Door Hinge Supports (2 pcs.)	56	Valve Cover (R)	515
Custom Taillight Housing	57	Valve Cover (L)	516
Door (R)	58	Grille	517
Door (L)	59	Stock Wheel Covers (4 pcs.)	518
Radiator Hose	60	"California Custom" Grille	519
Console	61	Custom Wheel Covers (4 pcs.)	520
Battery	62	Hood Molding	521
Hood	63	Fender Ornament (2 pcs.)	522
Bucket Seats	70	Front Bumper	523
Rear Springs (2 pcs.)	71	Spotlight Housing	524
Front Springs (2 pcs.)	72	Taillight Bezels (6 pcs.)	525
Head Cushions (2 pcs.)	73	Rear Bumper	526
Timing Chain Cover	74		
Interior	75		
Chassis	76		
Starter	80		

**Very Important:** Scrape plating away from surfaces to be joined by gluing. Do the same for paint.

# ENGINE: STOCK



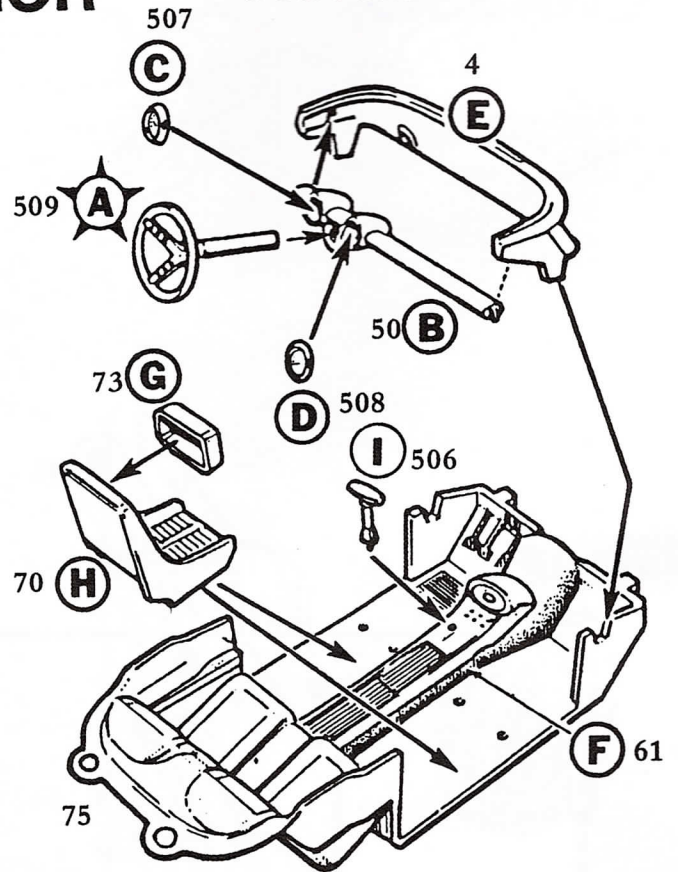
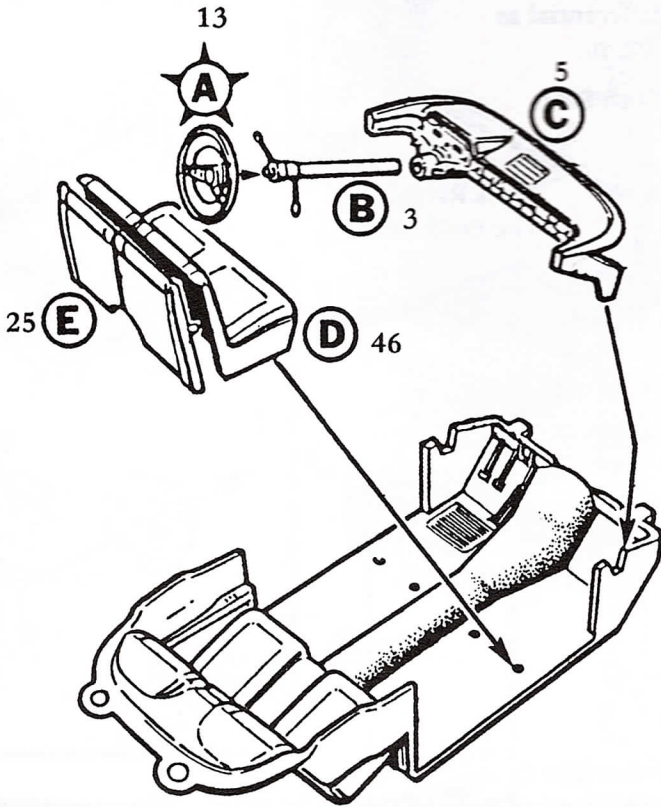
# ENGINE: CUSTOM / DRAG



**STOCK  
DRAG**

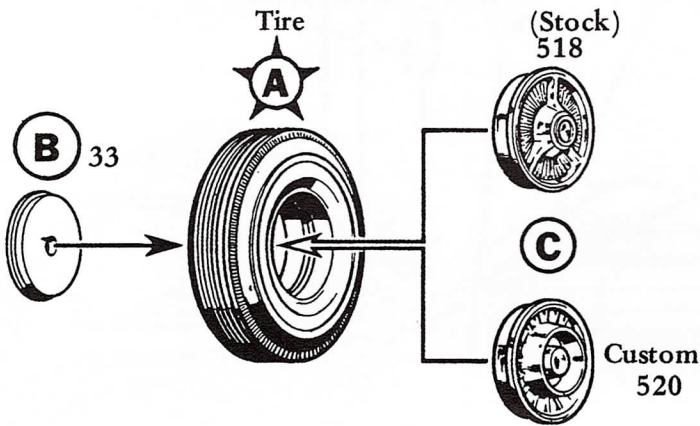
**INTERIOR**

**CUSTOM**

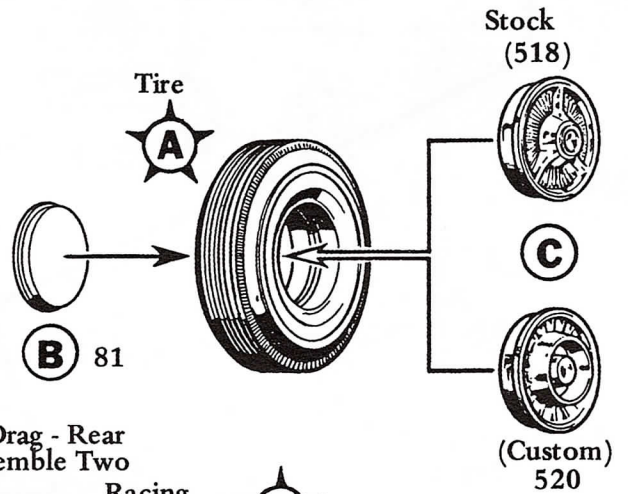


**TIRE  
ASSEMBLY**

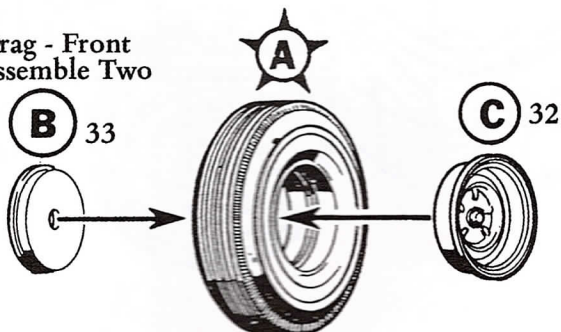
Custom/Stock Front  
Assemble Two



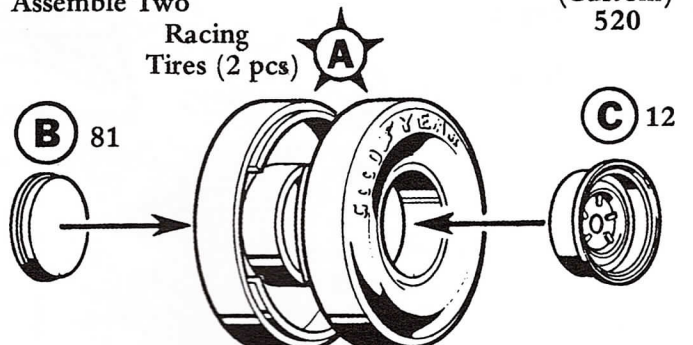
Custom/Stock Rear  
Assemble Two



Drag - Front  
Assemble Two

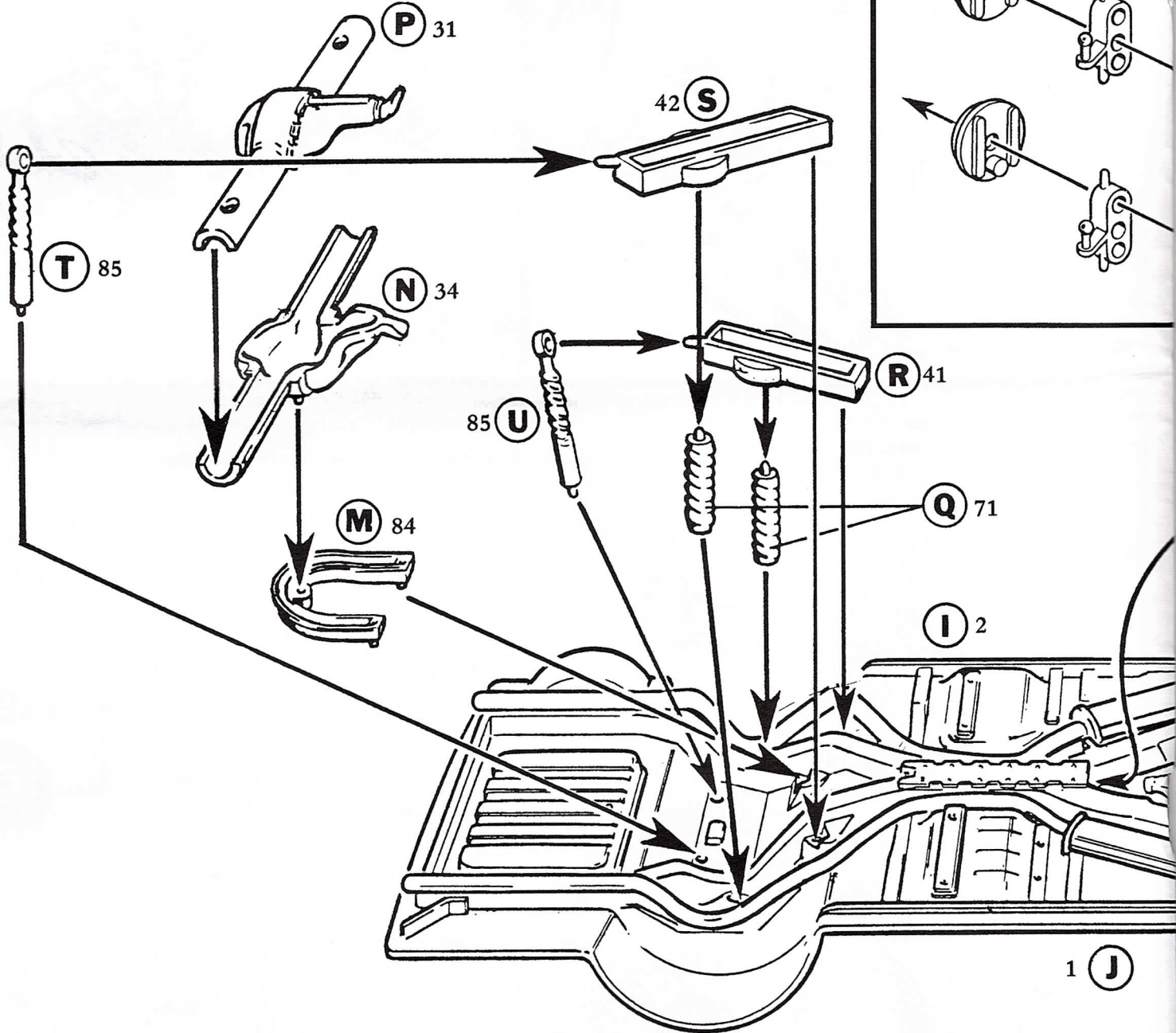
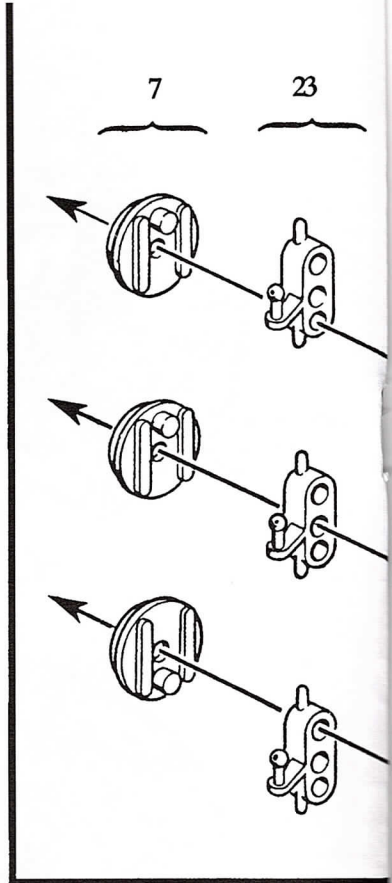
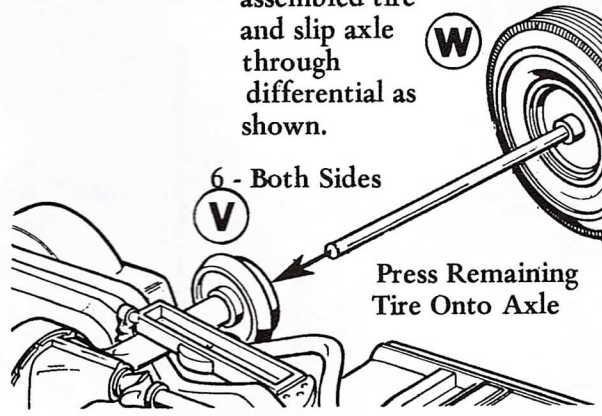


Drag - Rear  
Assemble Two



# CHASSIS

Press axle into assembled tire and slip axle through differential as shown.



Install engine to chassis



- 8
- DRAG
- STOCK
- CUSTOM

Omit for Custom Version 96

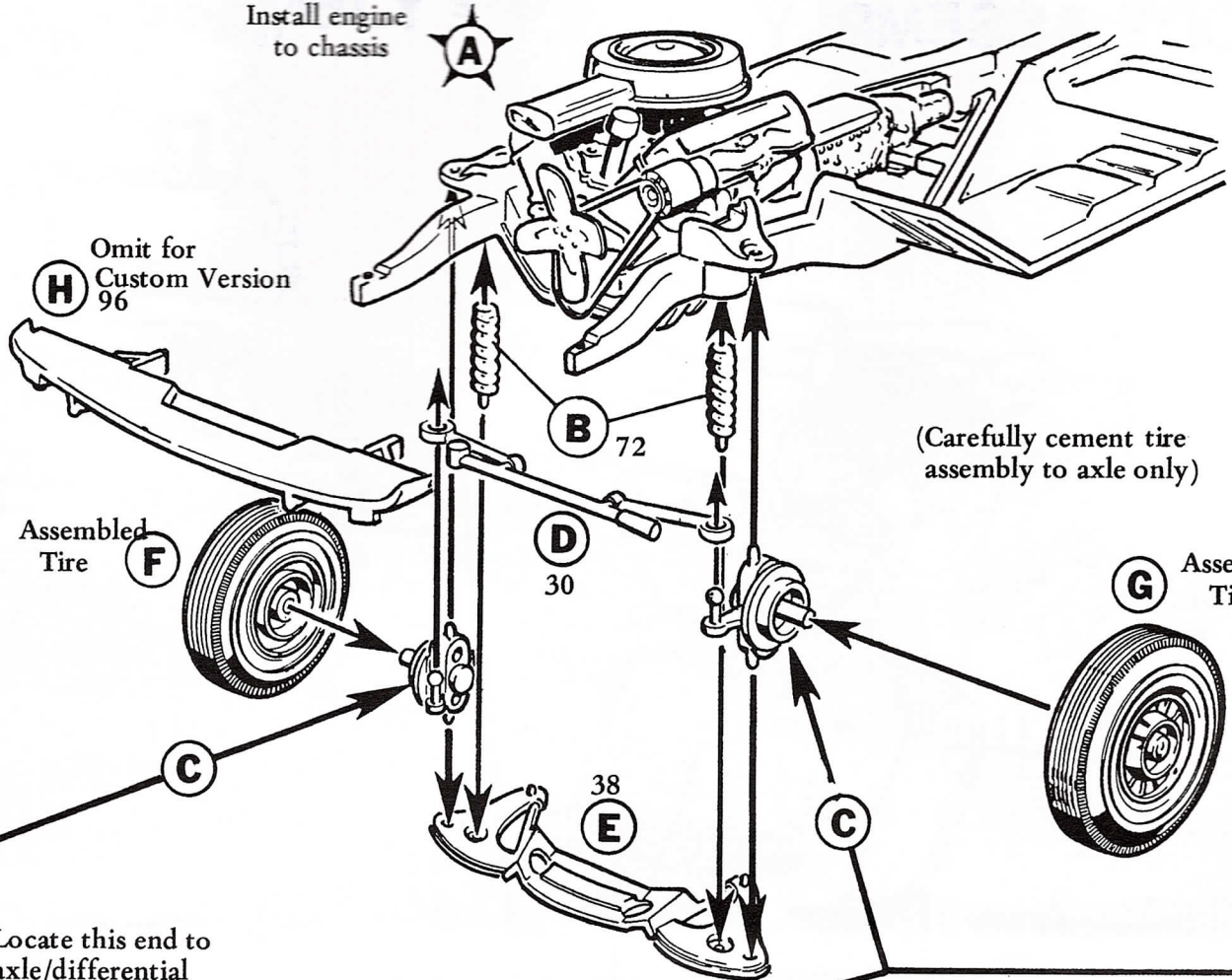
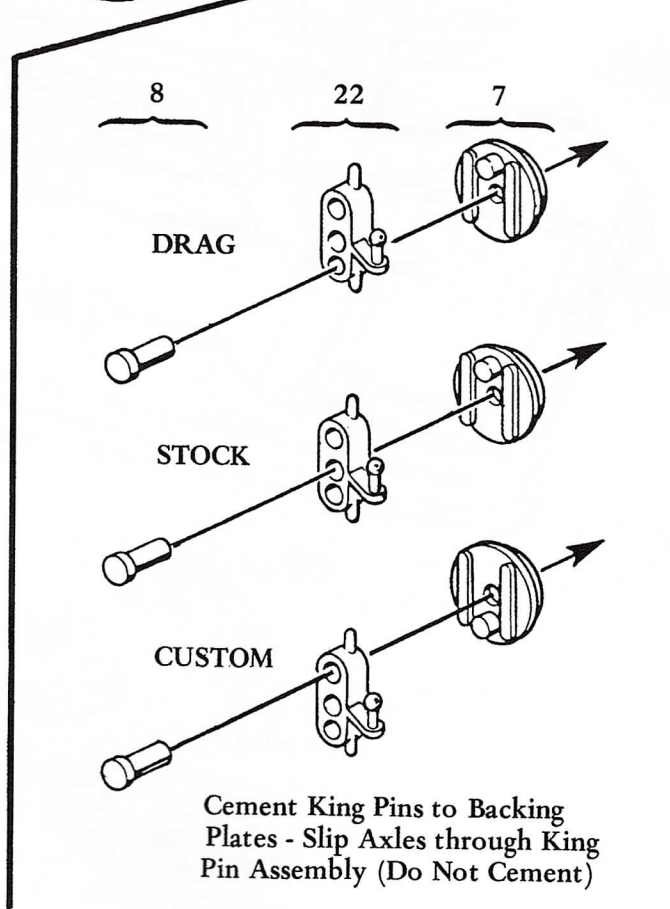
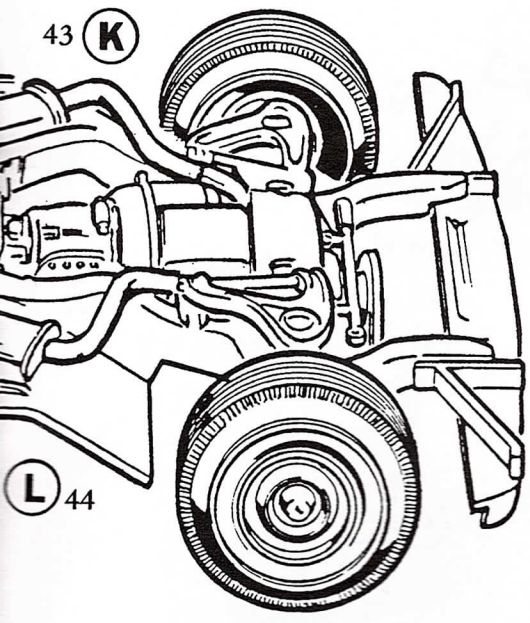
Assembled Tire F

Assembled Tire G

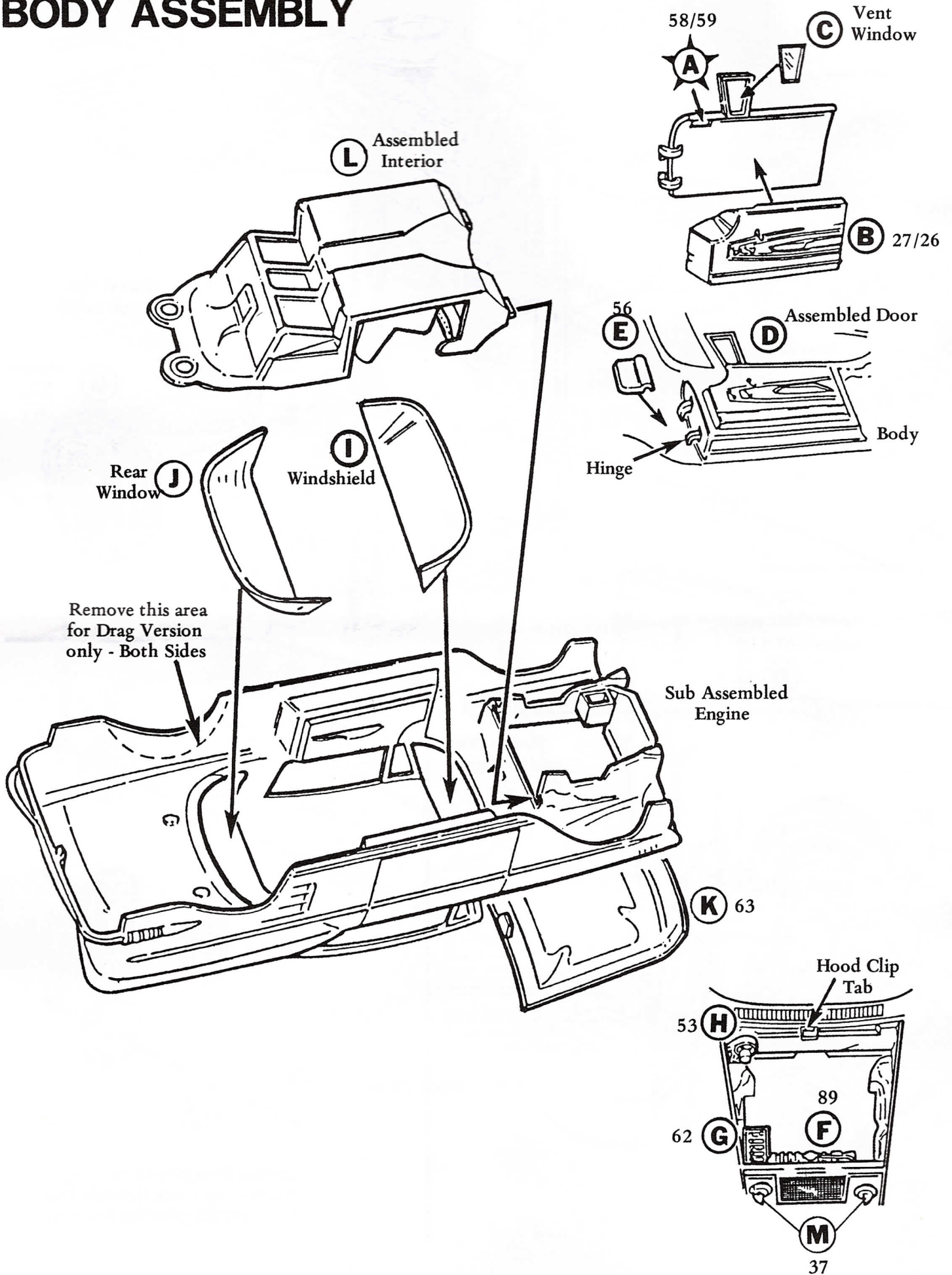
(Carefully cement tire assembly to axle only)

Locate this end to axle/differential

Locate this end to engine



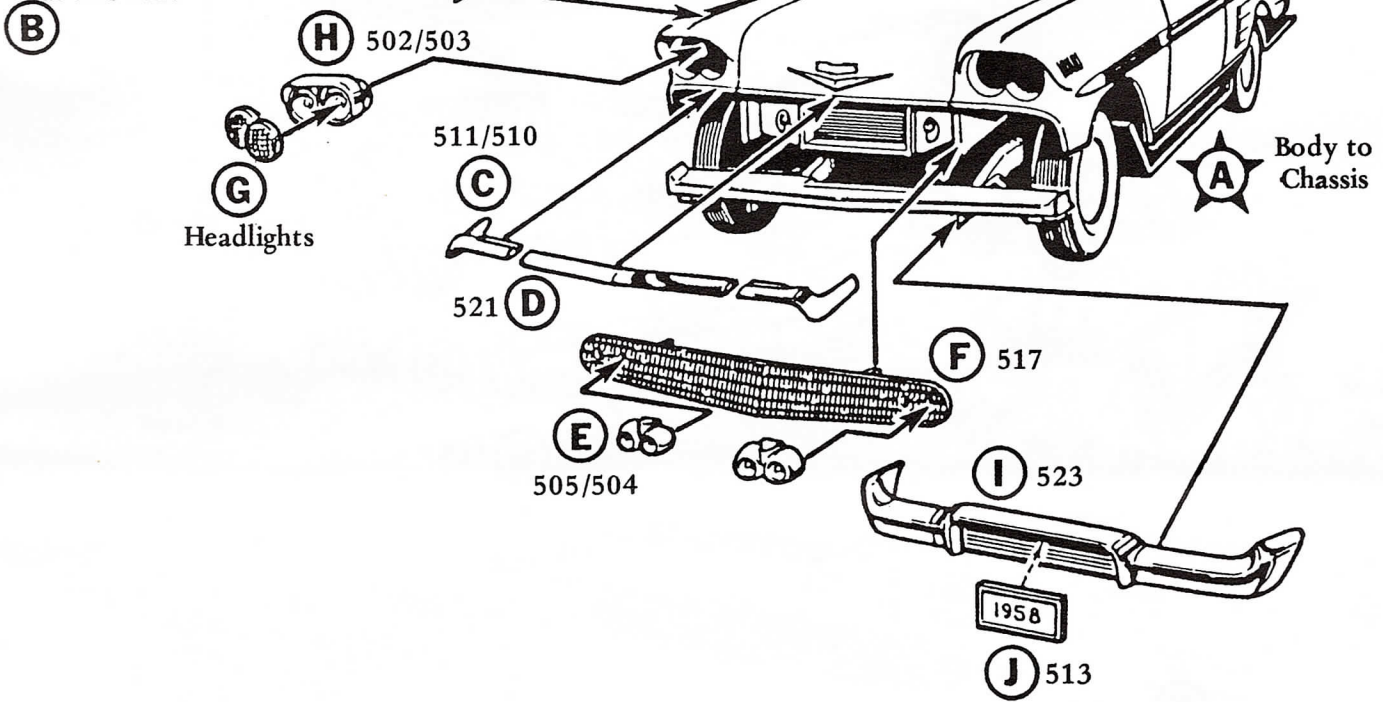
# BODY ASSEMBLY



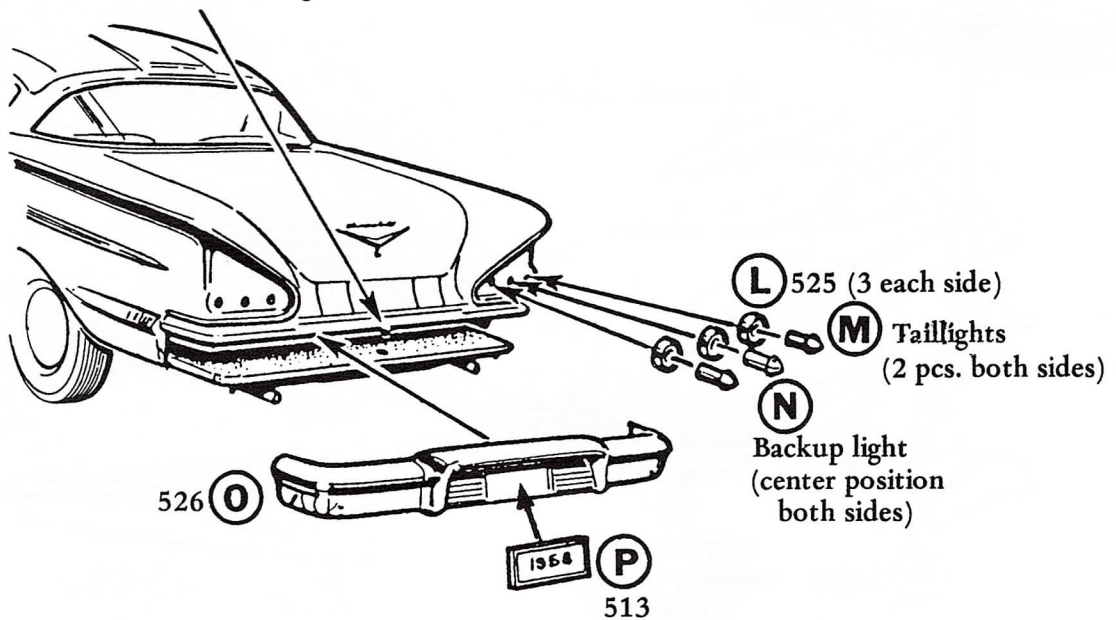


# FINAL ASSEMBLY STOCK

Install radiator hose  
at this time

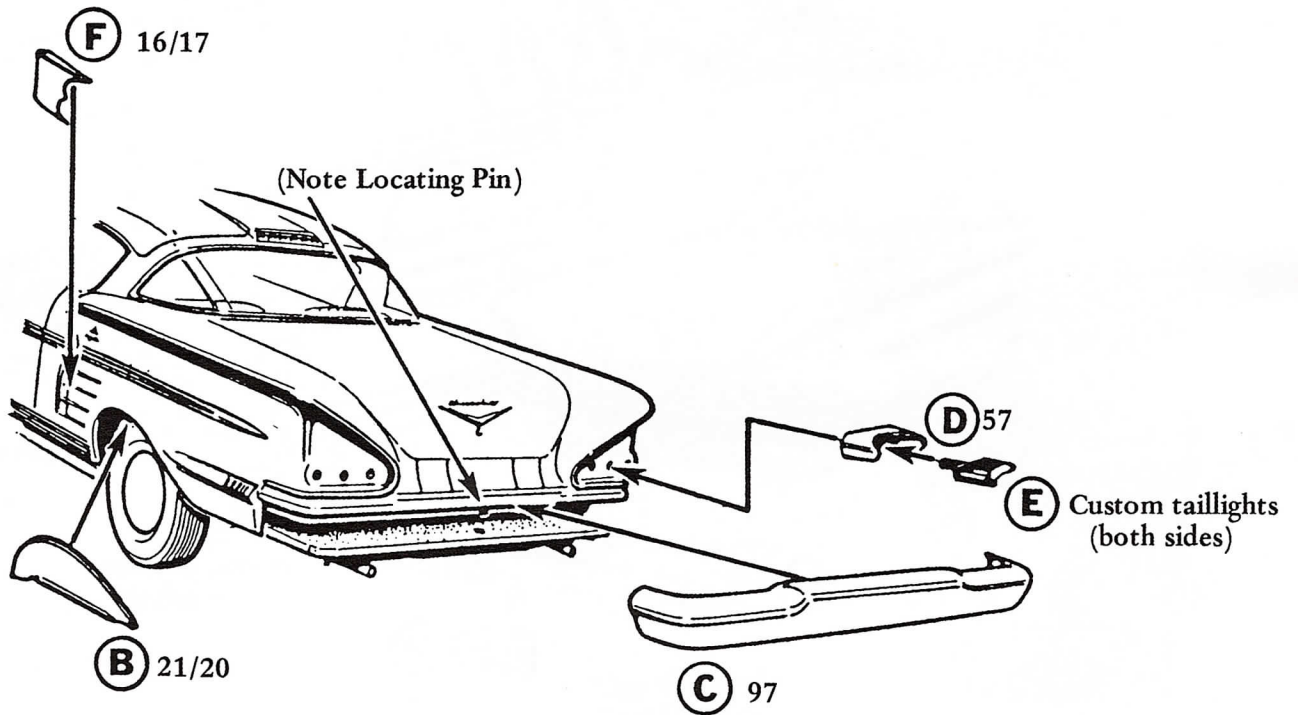
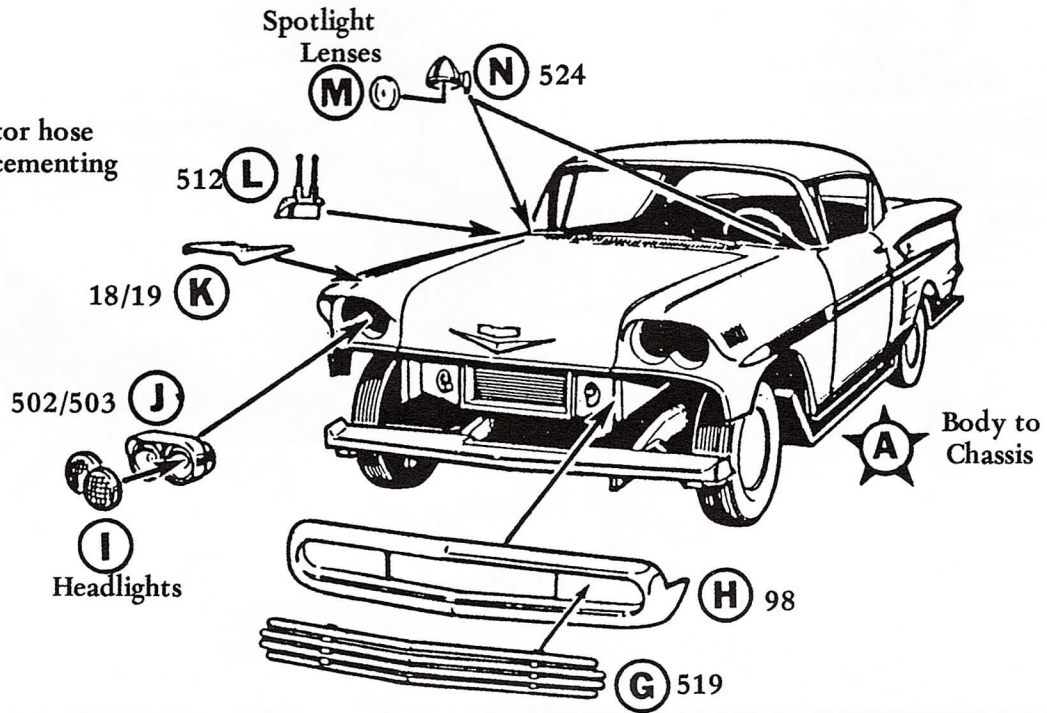


Note Locating Pin

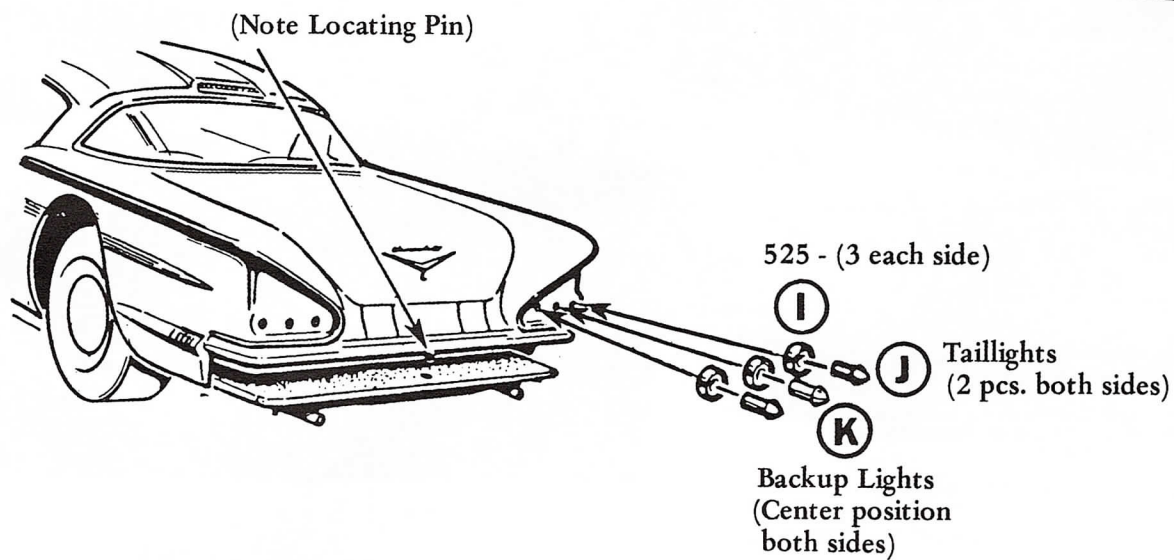
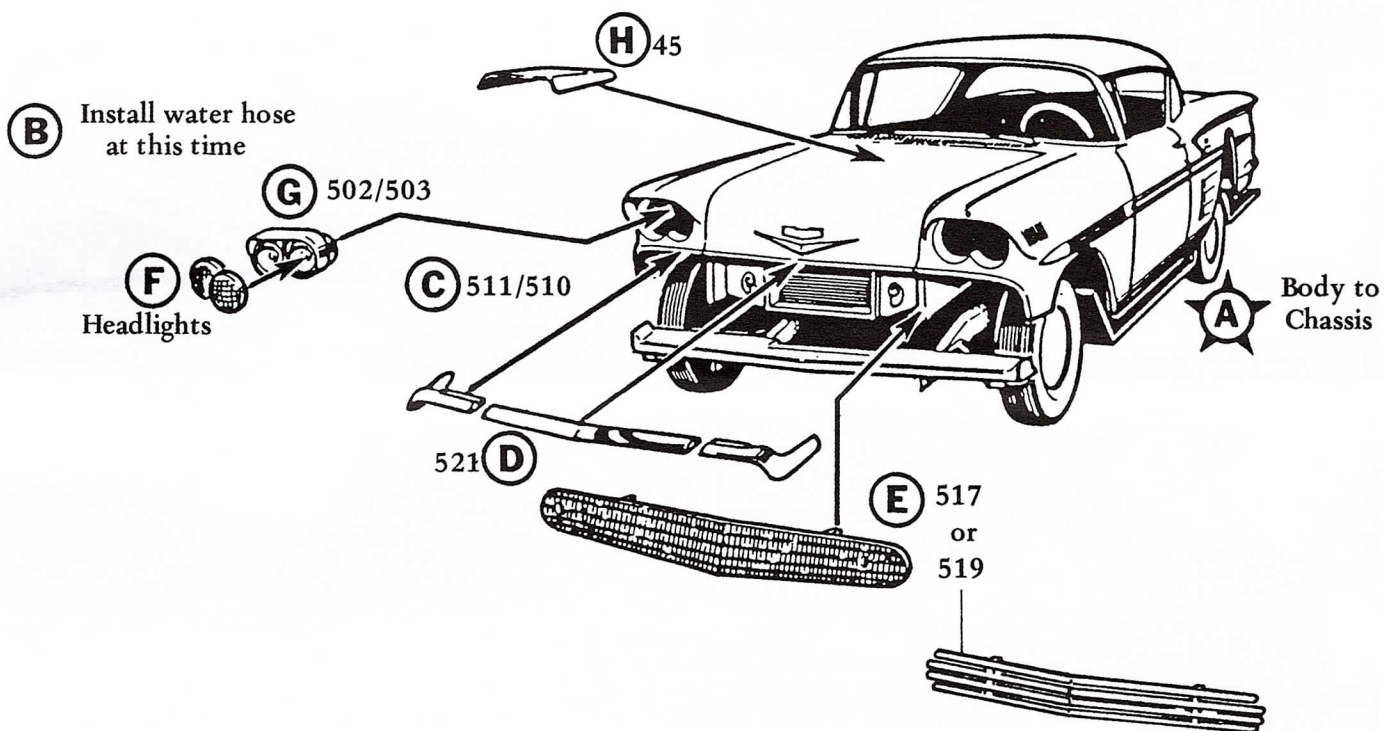


# FINAL ASSEMBLY CUSTOM

Note: Install radiator hose immediately after cementing body to chassis.

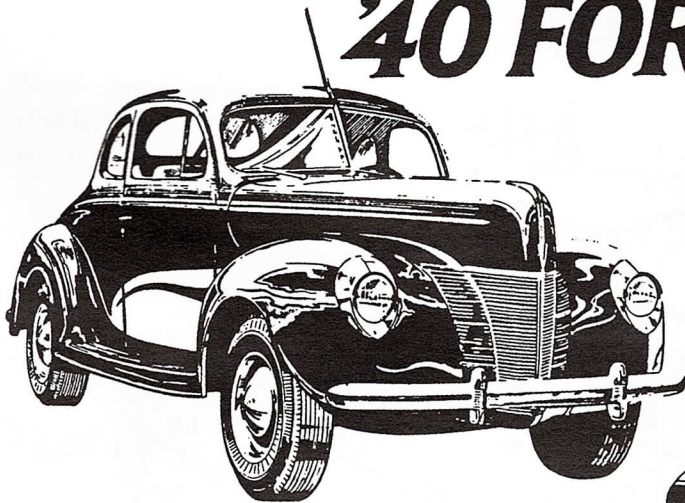


# FINAL ASSEMBLY DRAG

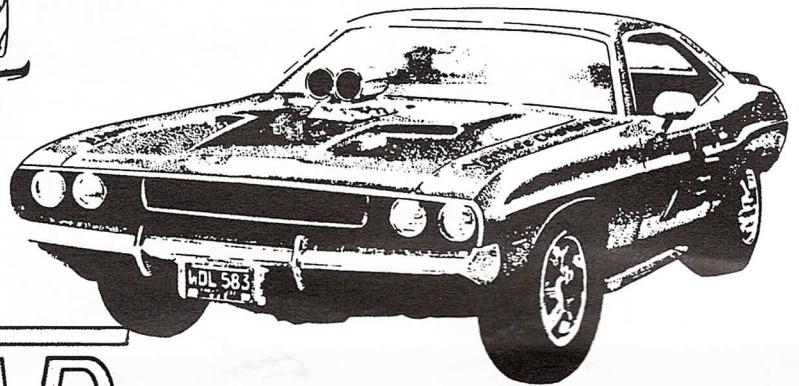


Be sure to look for these other  
authentically detailed **AMT** scale model kits  
at your favorite hobby store

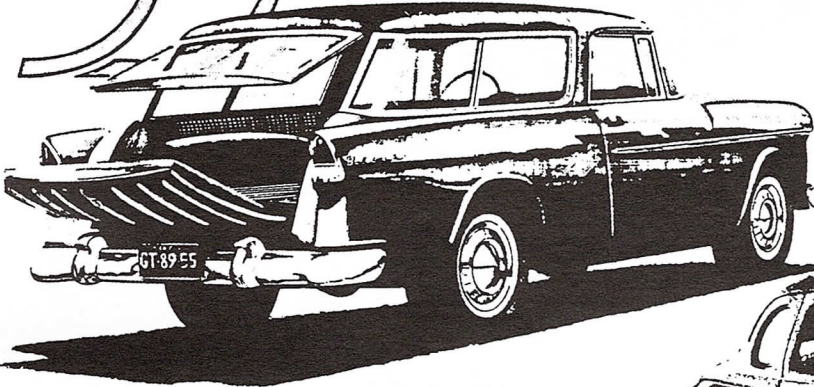
## '40 FORD



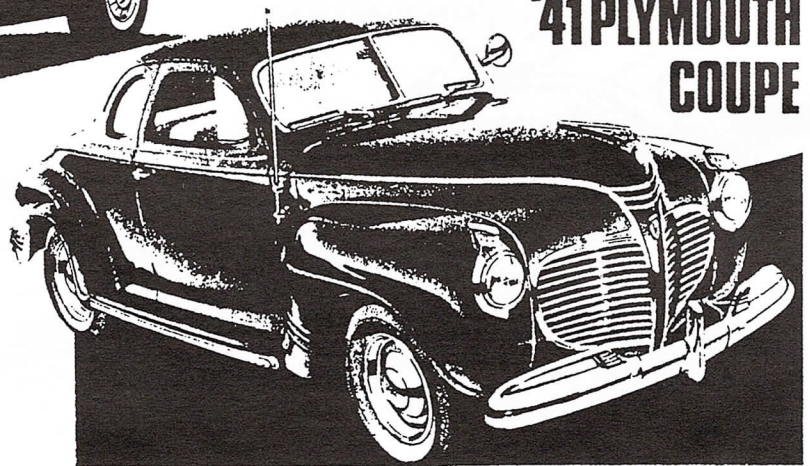
## YANKEE CHALLENGE



## 55 NOMAD



## '41 PLYMOUTH COUPE



Chevrolet, Chevy, Impala, Emblems, and vehicle model body design are General Motors Trademarks used under license to RC2 Brands, Inc.

Chevrolet, Chevy, Impala, les emblèmes et les dessins de carrosserie sont des marques de commerce de General Motors utilisées sous licence conférées à RC2 Brands, Inc.



©2004 RC2 BRANDS, INC., Dyersville, Iowa 52040-0500 U.S.A.

Visit our website at [www.RCERTL.com](http://www.RCERTL.com)  
Visitez notre site web au [www.RCERTL.com](http://www.RCERTL.com)