

B. W MODELS.

AUSTIN K9 1 ton. AIRCRAFT CRASH RESCUE TENDER - ADEN.

Following the end of WW2, it was decided to carry out a rationalisation, standardisation and modernisation of the vehicle fleet of the British Armed Forces. Tenders were invited from firms for the provision of a range of vehicle types in the ton range. Contracts were awarded to Morris, Humber & Austin for the provision of vehicles and the FVI600 K9 ton series was Austin Motors contribution. The Austin K9 was a development of the Austin Loadstar range of civilian vehicles and was introduced into service from 1952. It saw service throughout the world with the British Forces. The ACRT version was produced as a local modification in Aden. The Land Rover ACRT types in use there were found susceptible to damage on the rough terrain of the area. As a result the Dry Powder Equipment was removed for 3 or 4 Land Rovers and fitted into the cargo bed of the K9's, the tilt was removed, a ladder, spotlight, assorted extinguishers and other rescue equipment was carried in the cargo bed. Approximately 3 or 4 were converted.

GENERAL NOTES.

Please read all the instructions carefully before commencing assembly. Clean all sprue marks and any flash from the pieces before commencing and a trial fit of components is also recommended before final fixing. The model can be assembled using either Superglue, 5 minute epoxy adhesive or Low Melt Solder. The kit contains 50 pieces including a piece of acetate for glazing purposes. ~~It is recommended that the kit is built in 3 sub assemblies~~ A). Cab, B). Chassis, C). Rear body and below is a suggested sequence for assembly.

ASSEMBLY INSTRUCTIONS.

A). CAB.

- 1). Glaze all the windows.
- 2). If required make 2 gear levers from sprue and fix to the 2 mounts on the cab floor.
- 3). Fit the seats to their raised mounts, the backs of the seats being flush with the backs of the mounts.
- 4). Fit the dash panel unit to the recess in the cab floor, ensuring that when the floor fits inside the cab, the top of the dash unit does not foul the underside of the windscreen.
- 5). Fit the steering wheel to the steering column then fit the complete unit into place under the drivers window.
- 6). Fit the cab floor unit up into the cab shell.
- 7). Fit the cab rear wall into place.
- 8). Fit the front mudguards to the underside of the cab, making sure that front bottom edges of the mudguards are level with the front bottom of the cab.
- 9). Fit the steps to the cab undersides (see diagram).

B). CHASSIS.

- 1). Fit the wheels to the axles.

- 2). Fit the axles to the chassis underside, noting that the rear axle has the centrally located differential.
- 3). Fit the prop shafts between the axles and transfer box. The rear prop shaft is the shorter.
- 4). Fit the fuel tank filler spout.
- 5). Fit the fuel tank to the chassis side, location points being provided.
- 6). Fit the cab to the chassis. The front of the chassis beams extending just beyond the cab front.
- 7). Fit the stowage box and spare wheel locating ladder to the chassis top, immediately behind the cab. The stowage box being to the drivers side. The stowage box should not extend sideways beyond the line of the cab.
- 8). Fit the spare wheel unit onto the ladder, one end of the unit fitting onto the stowage box Upper edge.
- 9). Fit the separate ladder to the spare wheel unit. The open end of the ladder being to the top and the closed end sitting across the open end of the spare wheel mount.
- 10). Fit the front bumper to the chassis extensions.
- 11). Fit the rear tow hook to the central chassis extension.
- 12). Fit the rear number plate to the inner face of the rear chassis cross member.

C). REAR BODY.

- 1). Fit the rear body front wall to the front of the body floor.
- 2). Fit the 2 body sides into place. An arrow on the inside of each wall indicates the front.
- 3). Fit the 2 rear wall pieces into place.
- 4). Fit the rear mudguards to their location points underneath the body.
- 5). Fit the dry powder tank onto the location points on the body floor. The end of the tank with the detail on it faces forward.
- 6). Fit the small CO₂ operating cylinder to the top centre of the main tank. The nozzle on the cylinder points forward and is level with the nozzle unit on the main tank.
- 7). Fit the body to the chassis.
- 8). Fit the 2 discharge hose stowage units, one each side, to the upper area each side of the main tank.
- 9). Fit the large rear step into place underneath the rear body opening.
- 10). Fit the ladder onto its location points on outside of the left body side.
- 11). Fit the spotlight into place. It locates onto the cab roof, over the drivers position.
- 12). 5 fire extinguishers are provided which can be placed in the rear body. Also various assorted rescue equipment could also be located inside the rear body if required.

D). COLOUR SCHEME.

In use there appears to have been 2 colour schemes that have been identified. The first was an overall sand colour with a white cab roof. The later scheme was overall red, again with a white roof.

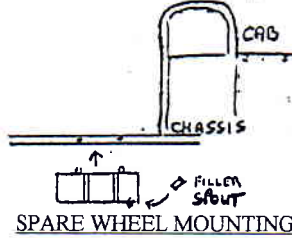
E). PARTS LIST.

Cab unit.	Cab floor.	Cab rear wall.	Seat x 2.
Steering wheel.	Steering column.	Front mudguard x 2.	Cab step x 2.
Dash panel unit.	Chassis.	Axle x 2.	Fuel tank.
Fuel filler spout.	Wheel x 4.	Front bumper.	Rear number plate.
Prop shaft x 2.	Rear body section x 2.	Rear mudguard x 2.	Large rear step.
Spare wheel mount.	Spare wheel unit.	Spare wheel ladder.	Tow Hook.
Large main tank.	Spotlight.	Ladder.	Small operating cylinder.
Body floor.	Body side x 2.	Body front wall.	Fire extinguisher x 5.
Discharge Hose Unit x 2.		Acetate.	

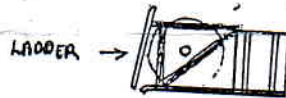
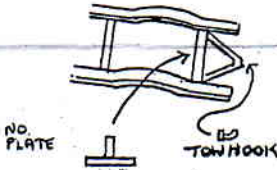
CAB FITTINGS.



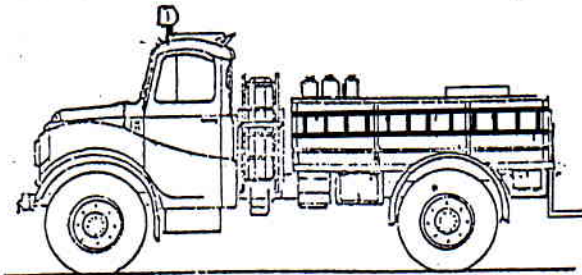
FUEL TANK FITTINGS.

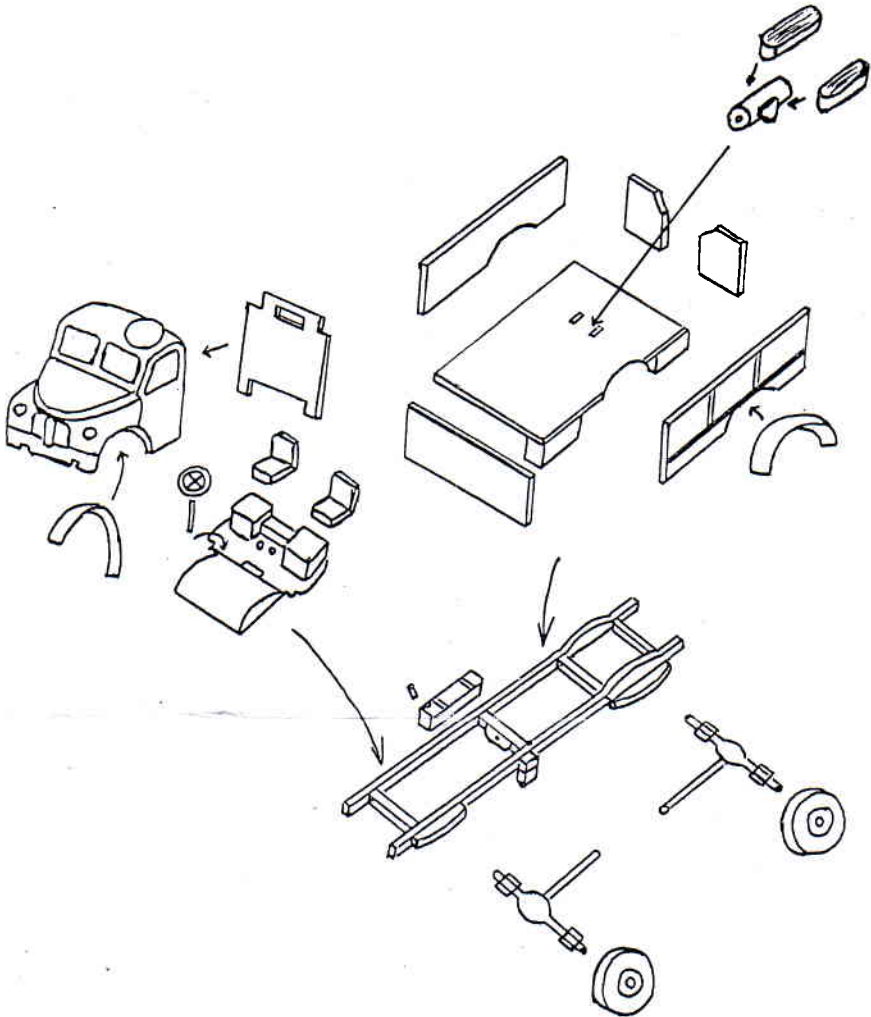


REAR NUMBER PLATE & TOW HOOK FITTING



Austin K9 1 ton, ACRT.





It is hoped you enjoyed building this kit, it is one of an ever growing range.
Should you have any complaint, query or suggestions for future kits, please contact the address below.
If you require an up to date price list, send a Stamped, Self Addressed Envelope to:-

**B. W. MODELS, Hillcrest, Kirk Brae, Cuminestown,
Turriff, Aberdeenshire AB53 5YZ**